



US00D914356S

(12) **United States Design Patent**
de Jonge et al.

(10) **Patent No.:** **US D914,356 S**
(45) **Date of Patent:** **** Mar. 30, 2021**

- (54) **HOLSTER**
- (71) Applicant: **Butterfly Network, Inc.**, Guilford, CT (US)
- (72) Inventors: **Matthew de Jonge**, Brooklyn, NY (US); **Neil Ferrier**, Greenville, SC (US); **Kevin Coss**, Irvine, CA (US)
- (73) Assignee: **Butterfly Network, Inc.**, Guilford, CT (US)
- (**) Term: **15 Years**
- (21) Appl. No.: **29/701,817**
- (22) Filed: **Aug. 14, 2019**
- (51) **LOC (13) Cl.** **03-01**
- (52) **U.S. Cl.**
USPC **D3/201**
- (58) **Field of Classification Search**
USPC D3/201, 202, 203.1, 215, 218, 219, 220, D3/225; D7/601; D9/455; D24/128
CPC A45F 2200/05; A45F 2200/0516; A45F 2200/0575; A61G 7/0503; A61G 15/14; A61G 15/16; A61B 1/00147; A61B 5/6835; A61B 17/0483; A61B 50/20
See application file for complete search history.

- (56) **References Cited**
U.S. PATENT DOCUMENTS
D275,528 S * 9/1984 Morrison D3/221
D282,684 S * 2/1986 Cline D24/144
D315,058 S * 3/1991 Burke D3/202
5,111,968 A * 5/1992 Wilkerson F41H 9/10
222/175
5,551,610 A * 9/1996 Clifton, Jr. A45F 5/02
224/197
D377,117 S * 1/1997 Klassen D3/218
D395,359 S * 6/1998 Olsen D3/221

- 5,833,093 A * 11/1998 Honaker A45C 11/008
222/175
- D407,252 S * 3/1999 Hampshire D6/540
- D480,557 S * 10/2003 Kohli D3/218
- D496,529 S * 9/2004 Gotou D3/218
- D497,247 S * 10/2004 Kamiya D3/218
- 6,840,415 B1 * 1/2005 Sapien, Jr. A45F 5/00
224/221
- D521,236 S * 5/2006 Weng D3/318
- D532,639 S * 11/2006 Snell D6/567
- D542,525 S * 5/2007 Schmidt D3/220
- D547,863 S * 7/2007 Heinsch D24/128
- D549,446 S * 8/2007 Lown D3/202
- 7,389,899 B2 * 6/2008 Johnson A45F 5/021
224/675
- 7,584,710 B2 * 9/2009 Grundy A45F 5/02
112/153
- D605,508 S * 12/2009 Chen D9/434
- D641,466 S * 7/2011 Merboth D24/128
- D675,011 S * 1/2013 Stiefel D3/215
- D731,168 S * 6/2015 Cascio D3/201

(Continued)

Primary Examiner — Steven J Czyz
(74) *Attorney, Agent, or Firm* — Wolf, Greenfield & Sacks, P.C.

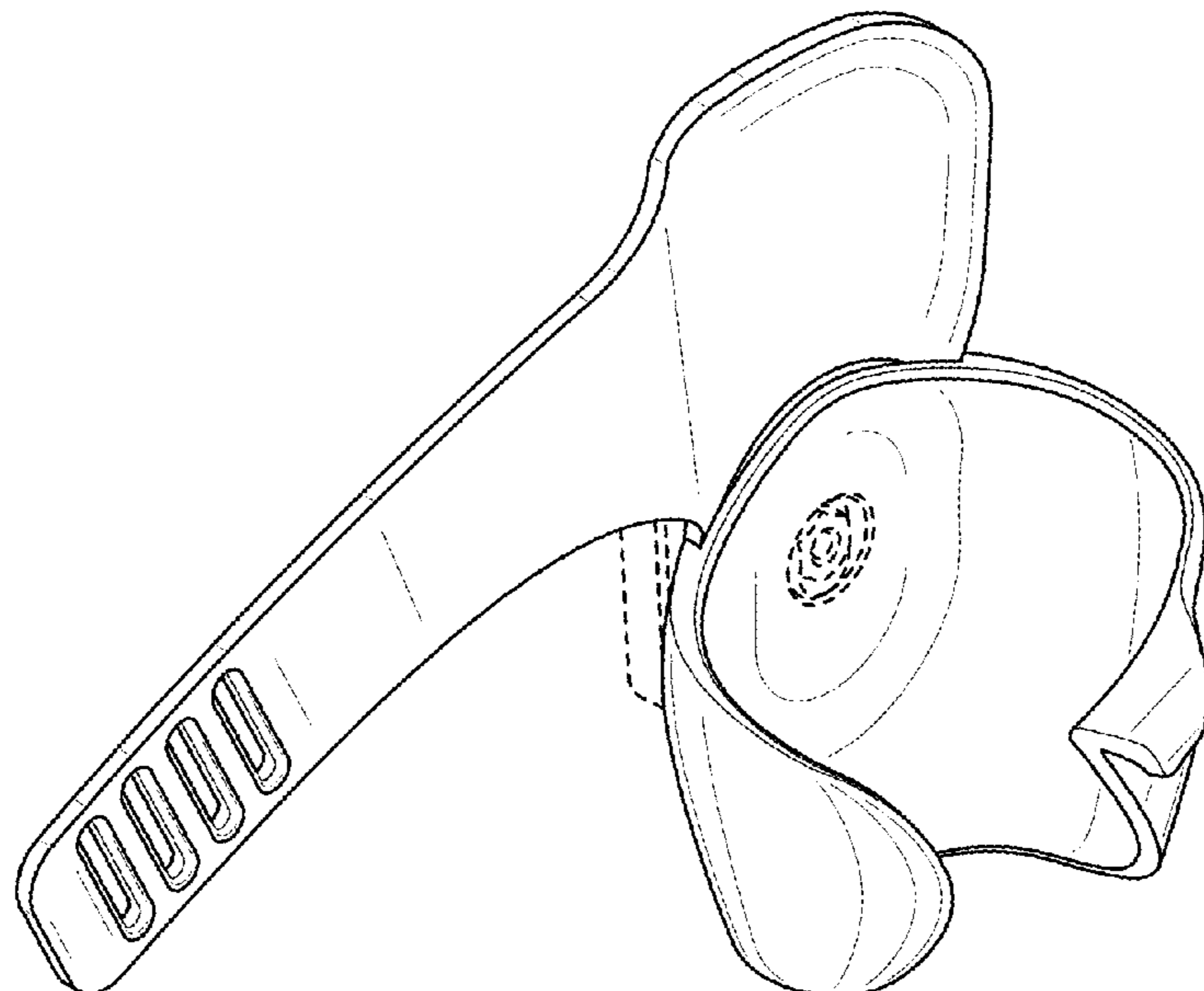
(57) **CLAIM**

The ornamental design for a holster, as shown and described.

DESCRIPTION

FIG. 1 is a top, front, left side perspective view of a holster according to our new design;
FIG. 2 is a front elevation view thereof;
FIG. 3 is a rear elevation view thereof;
FIG. 4 is a left side elevation view thereof;
FIG. 5 is a right side elevation view thereof;
FIG. 6 is a top plan view thereof; and,
FIG. 7 is a bottom plan view thereof.
The broken lines represent portions of the holster that form no part of the claimed design.

1 Claim, 7 Drawing Sheets



(56)

References Cited

U.S. PATENT DOCUMENTS

D776,920 S * 1/2017 Hernandez D3/229
D787,813 S * 5/2017 Delger D3/207
D789,681 S * 6/2017 Grisamore D3/215
D794,943 S * 8/2017 Schlang D3/201
9,776,783 B2 * 10/2017 Nadig B65D 77/04
D811,731 S * 3/2018 Myers D3/222
D817,486 S * 5/2018 Corato A61M 5/1418
D24/128
D823,596 S * 7/2018 Grisamore D3/215
D836,329 S * 12/2018 Myers D3/222
D836,907 S * 1/2019 Giannopoulos D3/215
D846,269 S * 4/2019 de Jonge D3/222
D867,752 S * 11/2019 de Jonge D3/222
D884,165 S * 5/2020 deBock D24/128
10,736,406 B2 * 8/2020 Hintze A45F 5/021

* cited by examiner

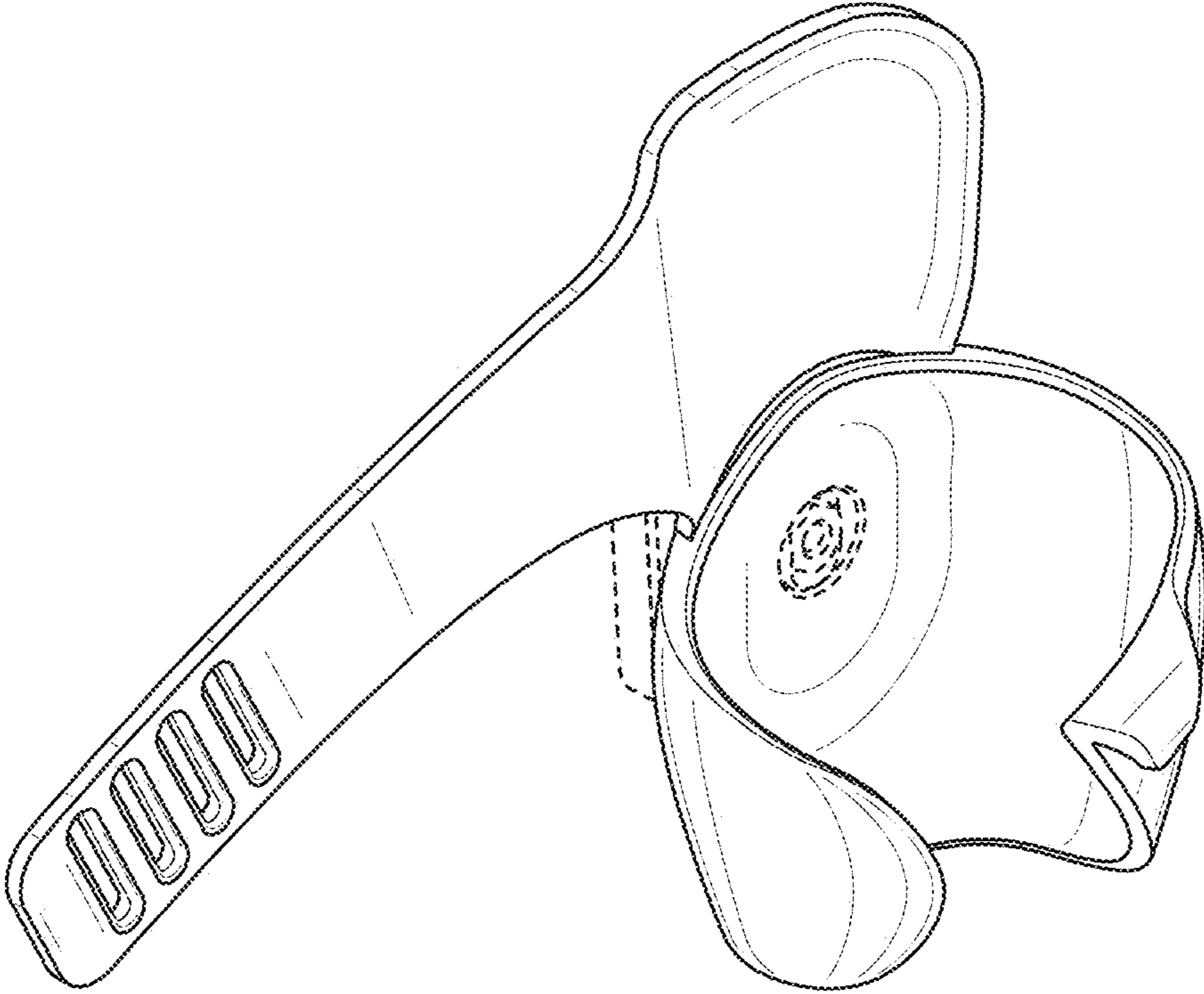


FIG. 1

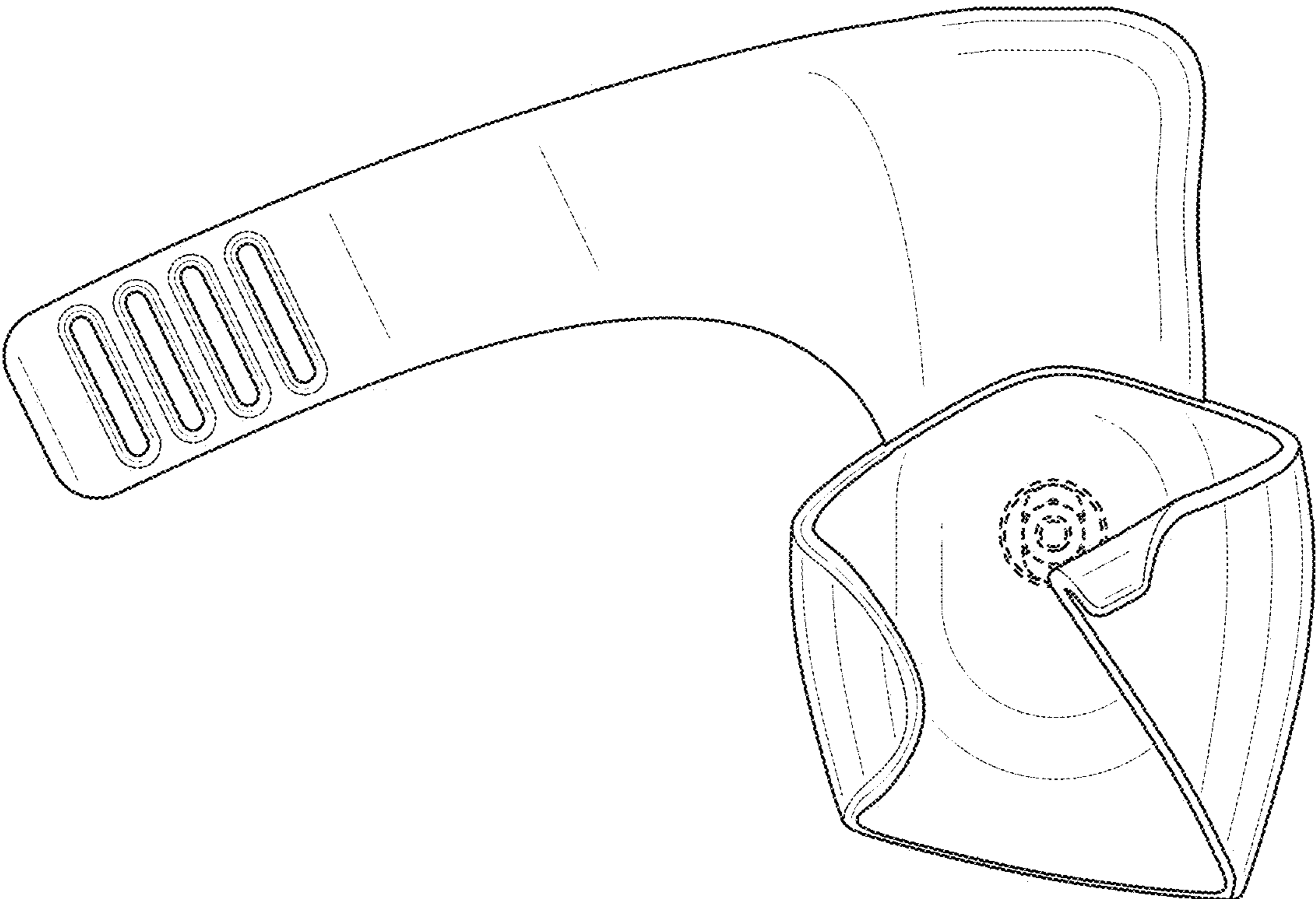


FIG. 2

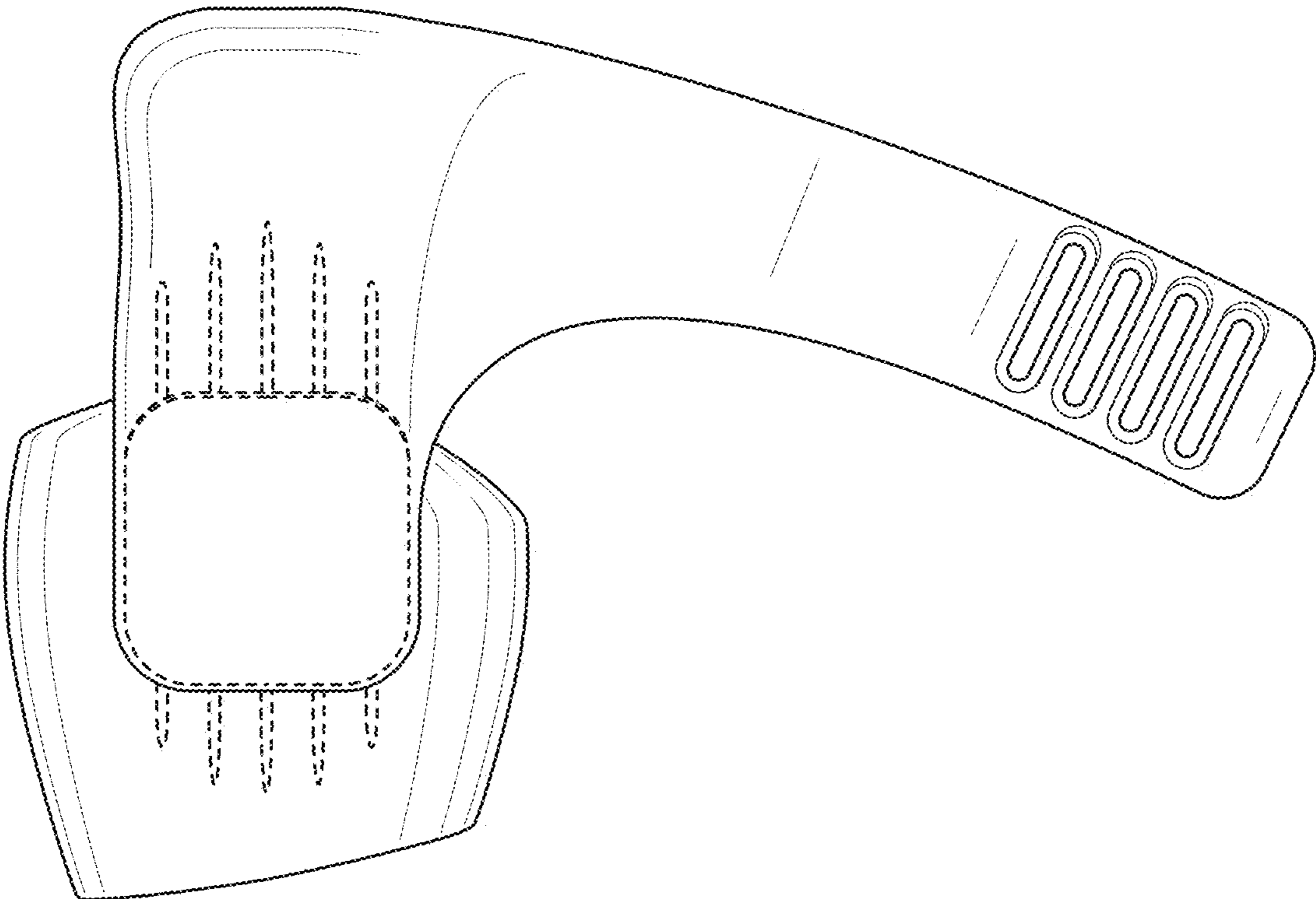


FIG. 3

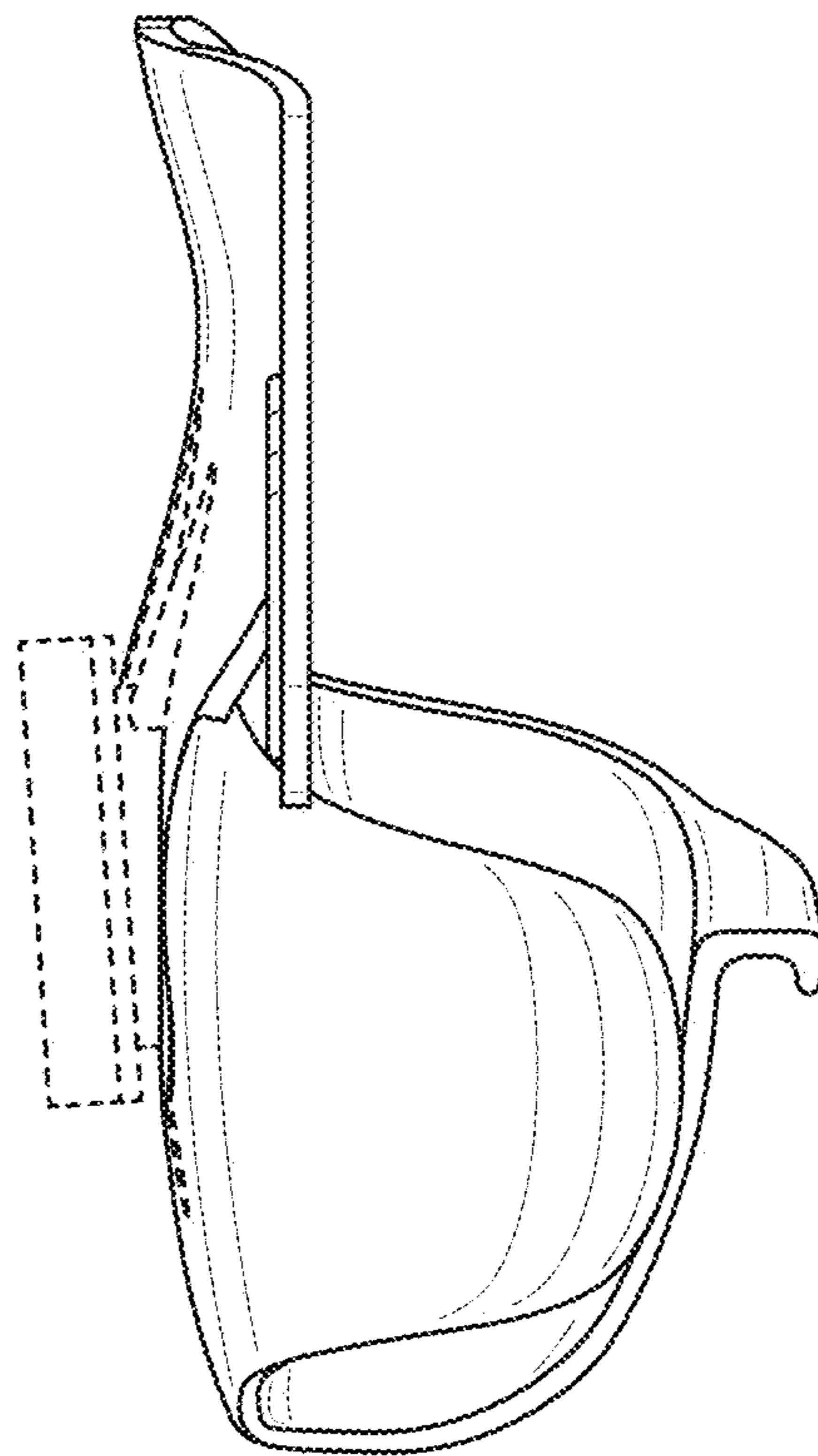


FIG. 4

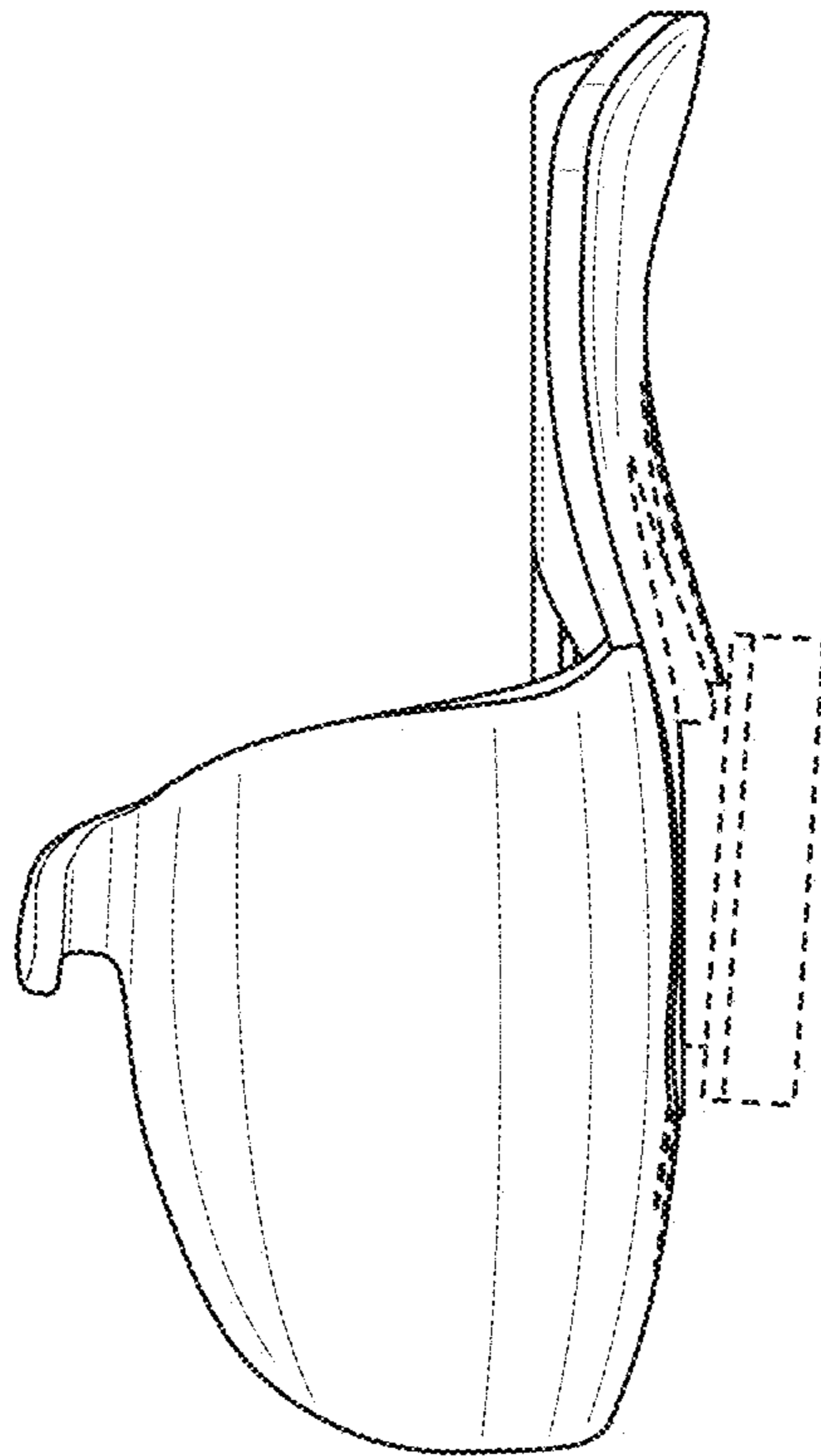


FIG. 5

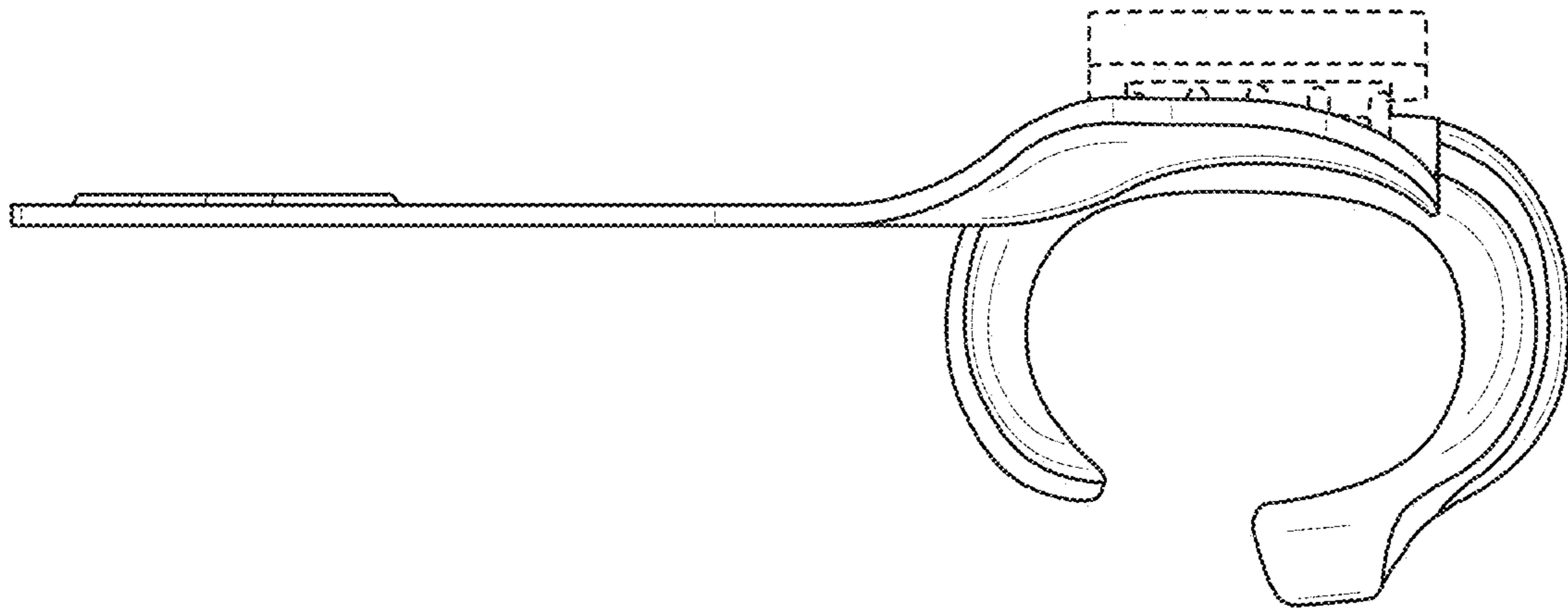


FIG. 6

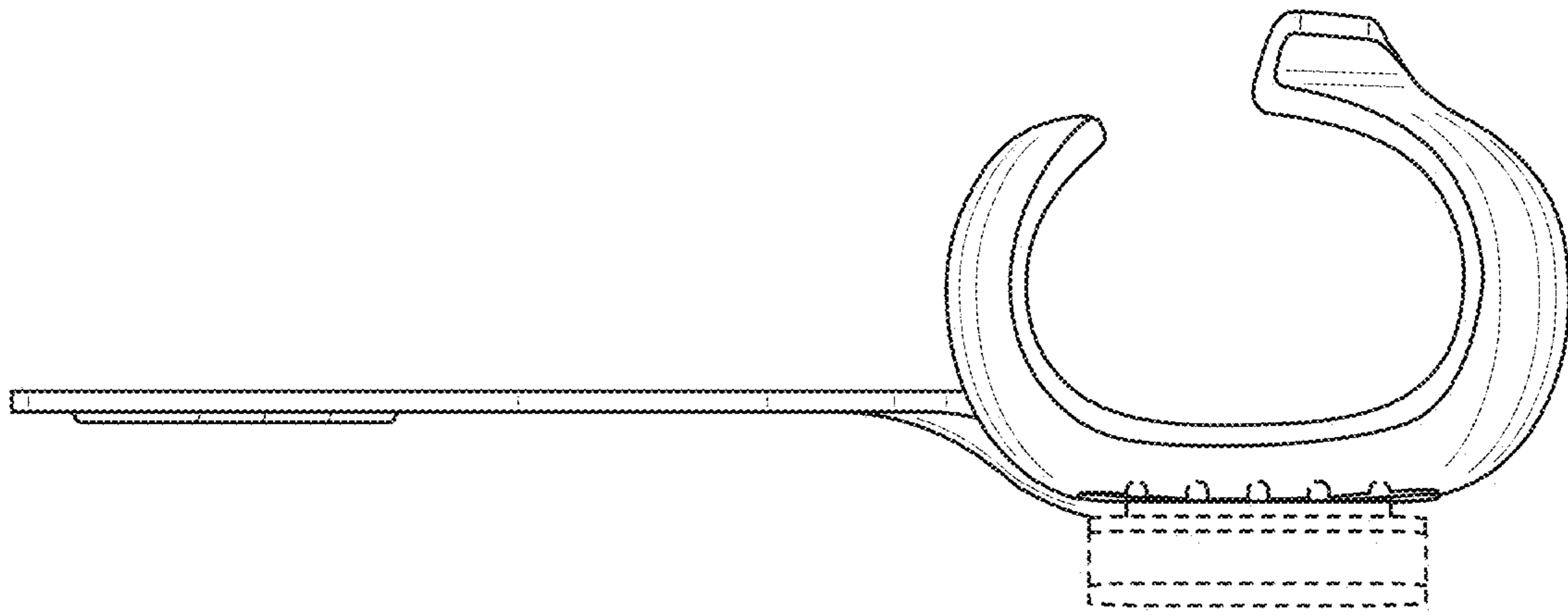


FIG. 7