



US00D914328S

(12) **United States Design Patent**
Morgan

(10) **Patent No.:** **US D914,328 S**
(45) **Date of Patent:** **** Mar. 30, 2021**

(54) **SUSPENDERS**

(71) Applicant: **Matthew A Morgan**, Sebastopol, CA (US)

(72) Inventor: **Matthew A Morgan**, Sebastopol, CA (US)

(**) Term: **15 Years**

(21) Appl. No.: **29/682,146**

(22) Filed: **Mar. 1, 2019**

(51) **LOC (13) Cl.** **02-07**

(52) **U.S. Cl.**
USPC **D2/626**

(58) **Field of Classification Search**

USPC D2/624-629, 631, 635-640, 720, 815, D2/838, 859, 894; D3/221, 222, 224, (Continued)

(56) **References Cited**

U.S. PATENT DOCUMENTS

84,669 A * 12/1868 Henlon A41F 3/00 2/327
421,519 A 2/1890 Rosenstock
(Continued)

OTHER PUBLICATIONS

International search report and written opinion of the International searching Authority in PCT/US 2020/020569 filed Jun. 23, 2020.

Primary Examiner — Kevin K Rudzinski

Assistant Examiner — Clare Ann Gannon

(74) *Attorney, Agent, or Firm* — Edward S. Sherman

(57) **CLAIM**

The ornamental design for a suspenders, as shown and described.

DESCRIPTION

FIG. 1 is a front perspective view of a first embodiment of the “suspenders”, showing my new design;

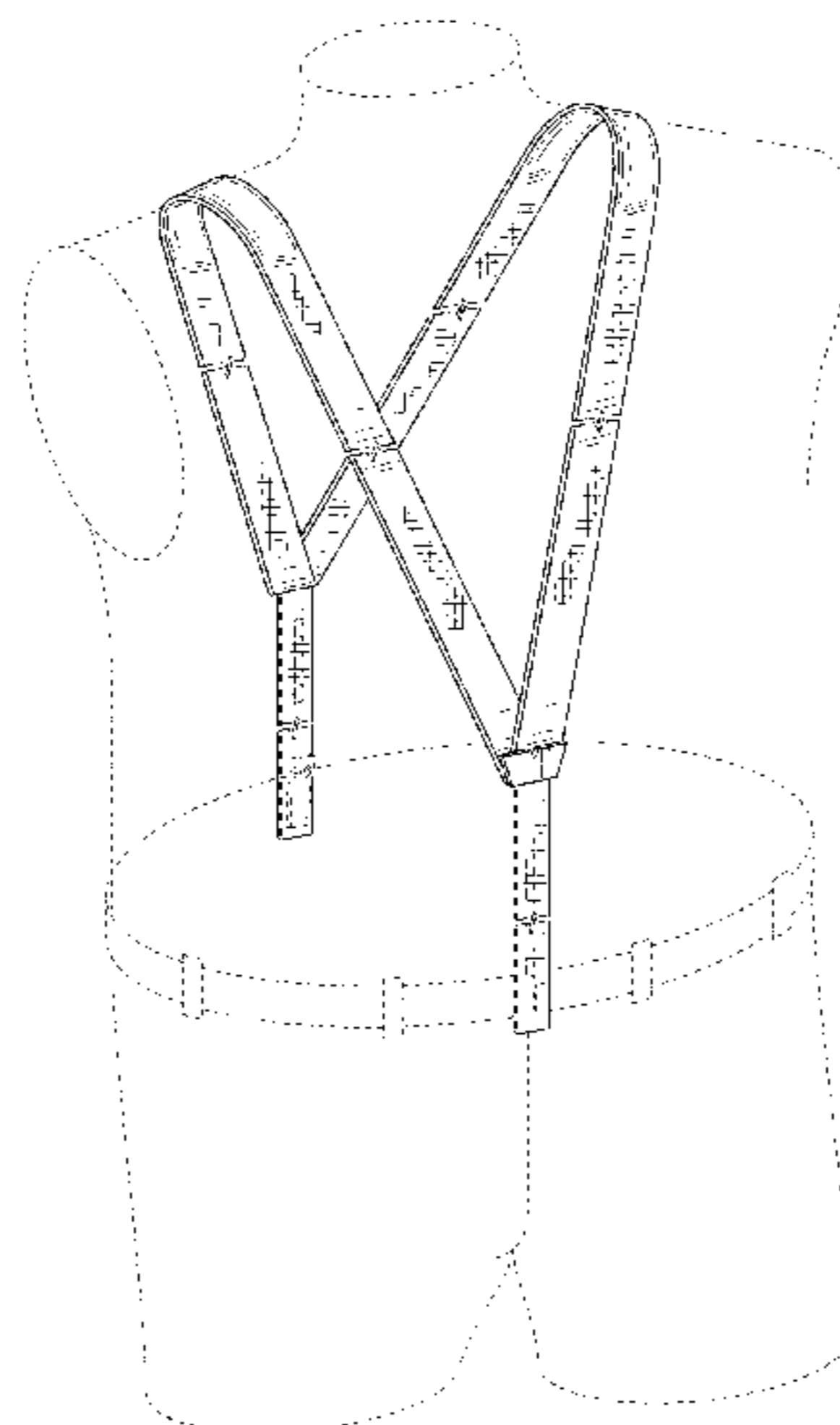
FIG. 2 is a rear perspective view thereof;
FIG. 3 is a top plan view of the suspenders disposed substantially flat on a planar surface;
FIG. 4 is a bottom plan view of the suspenders as disposed on the substantially flat planar surface in FIG. 3;
FIG. 5 is a right side elevation view of FIG. 3, the left side elevation view being the mirror image thereof.
FIG. 6 is front side elevation view of FIG. 3;
FIG. 7 is a rear side elevation view of FIG. 3;
FIG. 8 is a front perspective view of a second embodiment of the “suspenders”, showing my new design;
FIG. 9 is a rear perspective view thereof;
FIG. 10 is a top plan view of the suspenders disposed substantially flat on a planar surface; elevation view thereof;
FIG. 11 is a bottom plan view of the suspenders as disposed on the substantially flat planar surface in FIG. 9;
FIG. 12 is a right side elevation view of FIG. 9, the left side elevation view being the mirror image thereof;
FIG. 13 is front side elevation view of FIG. 9;
FIG. 14 is a rear side elevation view of FIG. 9
FIG. 15 is a front perspective view of a third embodiment of the “suspenders”, showing my new design;
FIG. 16 is a rear perspective view thereof;
FIG. 17 is a top plan view of the suspenders disposed substantially flat on a planar surface; elevation view thereof;
FIG. 18 is a bottom plan view of the suspenders as disposed on the substantially flat planar surface in FIG. 15;
FIG. 19 is a right side elevation view of FIG. 15, the left side elevation view being the mirror image thereof; and
FIG. 20 is front side elevation view of FIG. 15; and,
FIG. 21 is a rear side elevation view of FIG. 15.

FIGS. 1-2, 7-8 and 13-14 show the suspenders assuming the contour they would have in use when being used to hold up the pants of a wearer, in which fine broken lines illustrate the outline of the wearer’s torso and the pants the suspenders hold.

Broken lines are deployed in FIGS. 1, 2, 8, 9, 15 and 16 to illustrate that the torso and pants constitute the environment of the design and are not claimed. The other broken lines in FIGS. 1,4-7 and 15-21 that do not depict the torso and pants illustrate portions of the suspenders that form no part of the claimed design.

The break lines shown in FIG’s 1-5, 8-12 and 15-19 symbolize breaks in length of the article in which the claimed design is embodied. The appearance of any portion of the article between the break lines form no part of the claimed design.

(Continued)



The cross-hatched patterns ,although shown intermittently on portions of the elongated straps, are meant to generally represent compliant fabric that is capable of draping over the wearer's torso. It should be understood that such fabric is distributed uniformly over the surface of the claimed portion of the design upon which it resides. The cross-hatched patterns are not intended to represent the texture or weave of a particular fabric.

As these fabric portions have no substantial thickness, the various side views thereof are not intended to limit the thickness of the fabric in the claimed design, but rather to space apart the top and bottom surfaces of the fabric at the minimum thickness that is believed to be capable of illustration and publication at the reduced scale in patent grant documents.

1 Claim, 18 Drawing Sheets

(58) Field of Classification Search

USPC D3/226, 228; D11/5, 13; D24/190;
D29/101.1, 101.3; D22/108
CPC A41D 13/1236; A41F 11/02; A41F 11/16;
A41F 3/02; A41F 5/00; A41F 9/02; A41F
9/002; A41F 9/025; A41F 19/00; A41F
3/00; A41F 15/00; A45F 2003/006; F16G
13/00; B60R 22/00; B60R 2022/006;
F41C 33/001; F41C 33/002

See application file for complete search history.

(56) References Cited

U.S. PATENT DOCUMENTS

1,123,278 A * 1/1915 Hallett B60R 22/105
297/484

1,180,975 A 4/1916 Chapman
1,363,028 A * 12/1920 Weille A41F 3/00
2/327
1,450,303 A 4/1923 Potter
2,436,581 A * 2/1948 Lazare A41F 11/02
2/305
2,463,194 A * 3/1949 Meyer A41F 3/00
2/327
3,142,844 A * 8/1964 Murray A41F 3/00
2/326
3,579,639 A 5/1971 Faulkner
5,133,092 A * 7/1992 Altinger A62B 17/001
2/300
5,611,079 A * 3/1997 Bain, III A41F 9/002
2/455
D423,759 S * 5/2000 Dancyger A62B 17/001
D2/626
6,163,890 A 12/2000 Utamaru
D483,548 S * 12/2003 Chambers A41F 3/00
D2/627
D595,930 S 7/2009 Perry
7,891,023 B1 * 2/2011 Hill A41B 1/08
2/310
D783,450 S * 4/2017 Simmons-Jones B60R 22/105
D11/200
D798,529 S 10/2017 Rolston
D833,688 S * 11/2018 Stouder A41F 3/00
D30/152
D878,709 S * 3/2020 Khan A41F 3/00
D2/626
2011/0083254 A1 4/2011 Trutna et al.
2015/0176618 A1 6/2015 Thieme
2015/0230530 A1 8/2015 Choi
2016/0106167 A1 * 4/2016 Loshinsky A41F 3/00
2/323

* cited by examiner

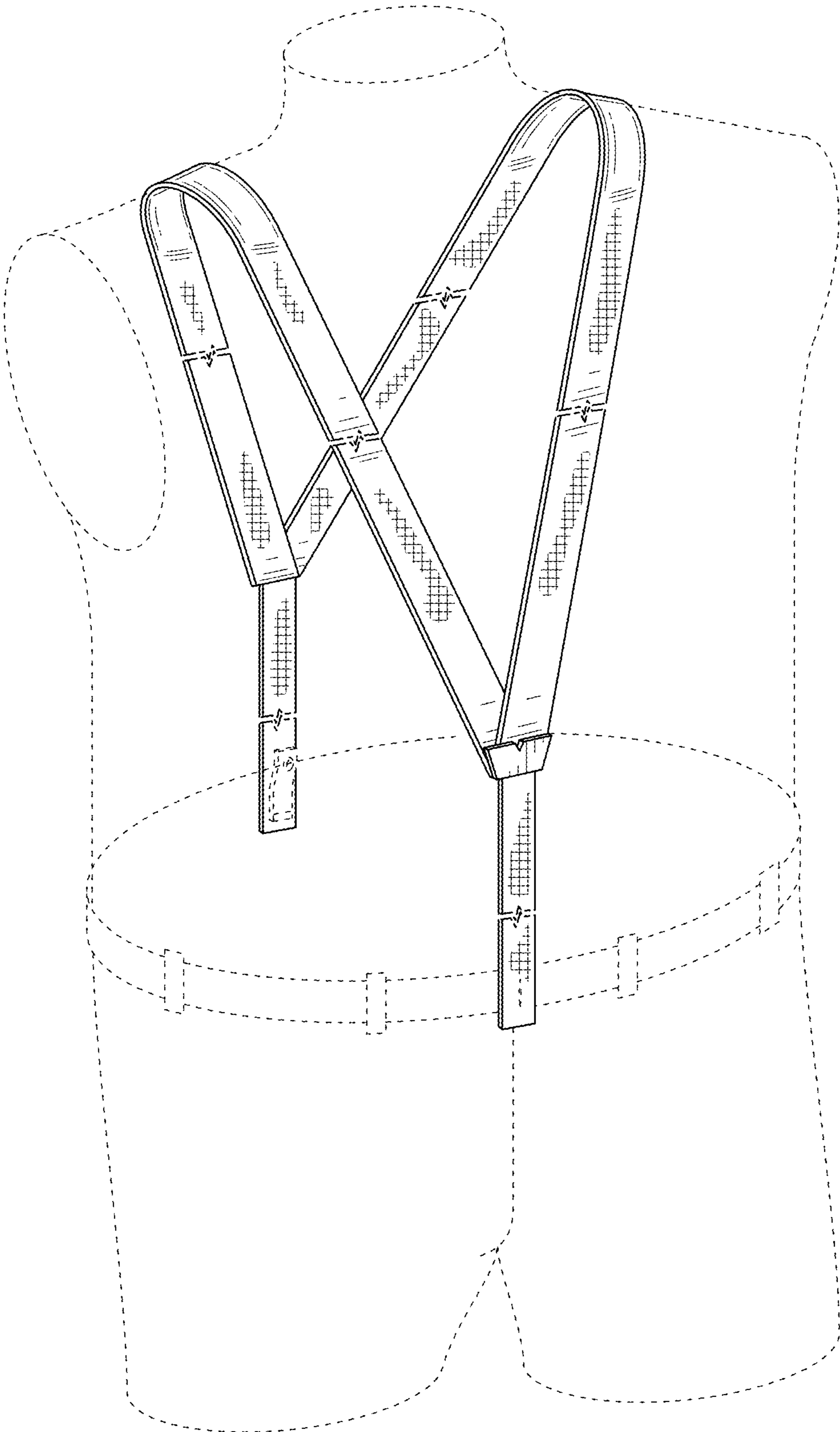


FIG. 1

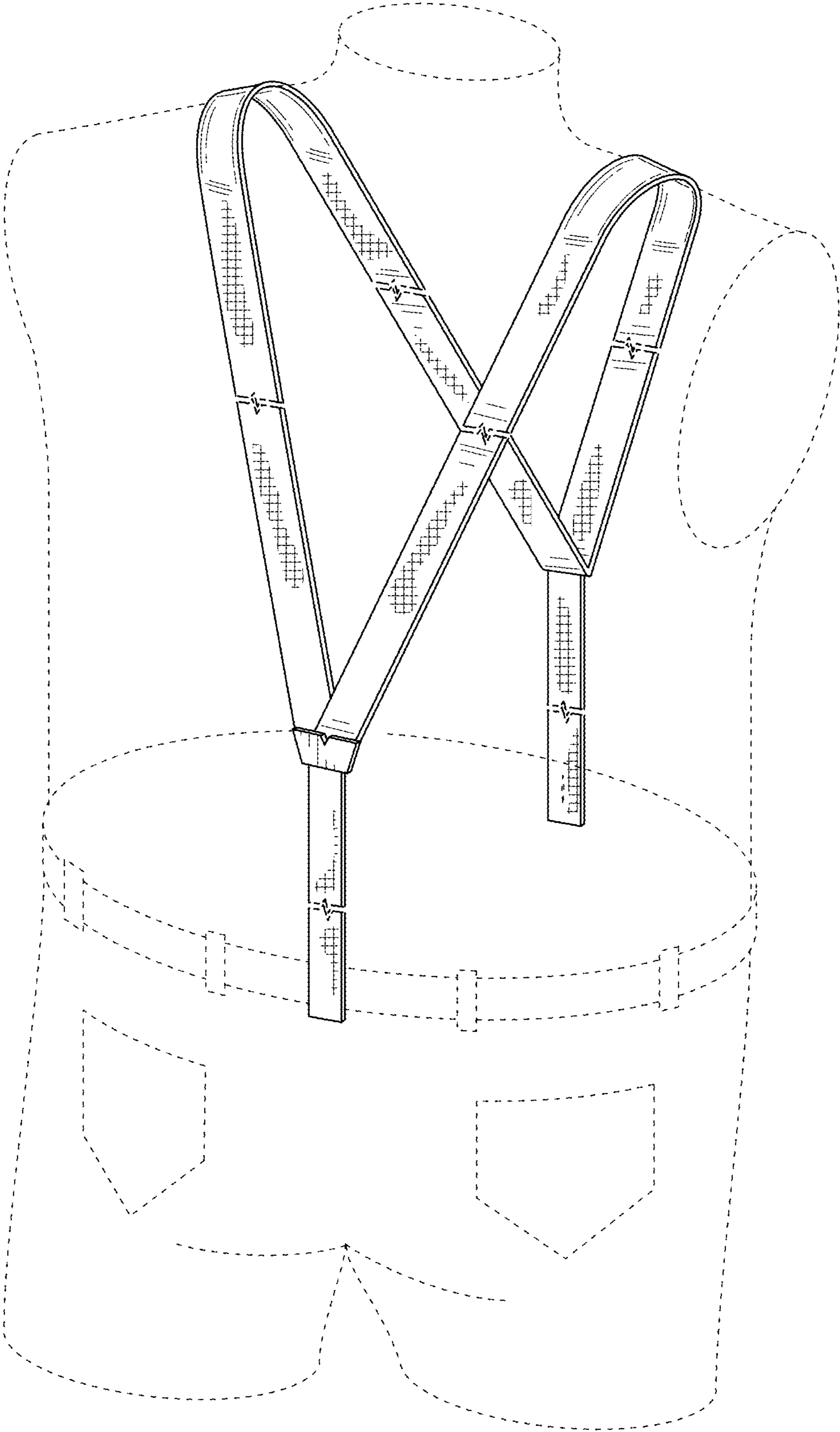


FIG. 2

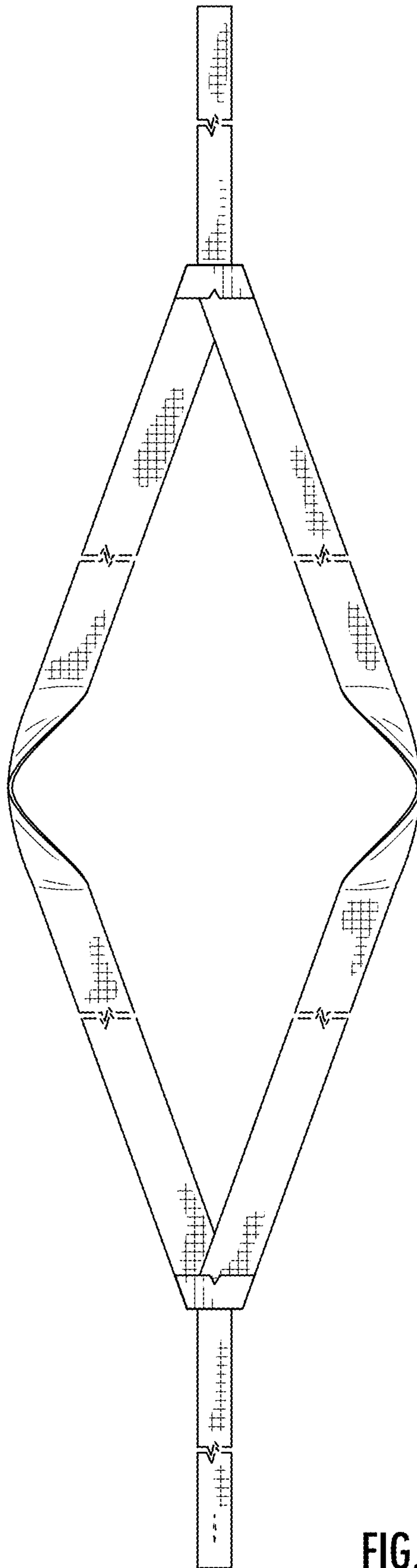


FIG. 3

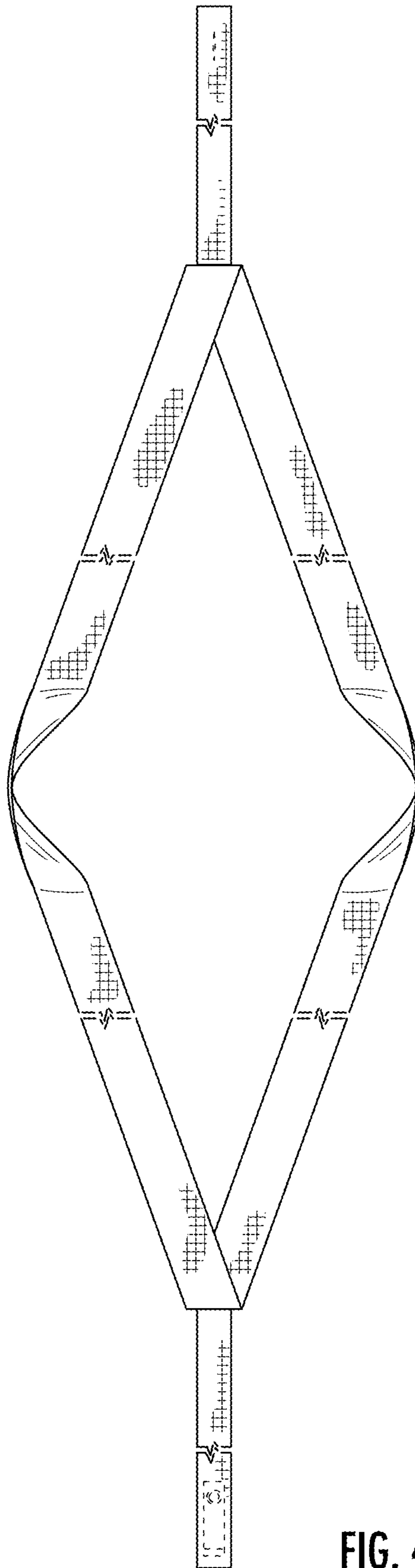


FIG. 4

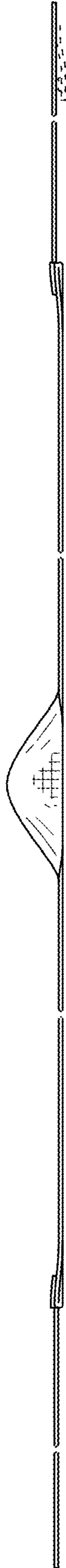


FIG. 5



FIG. 6

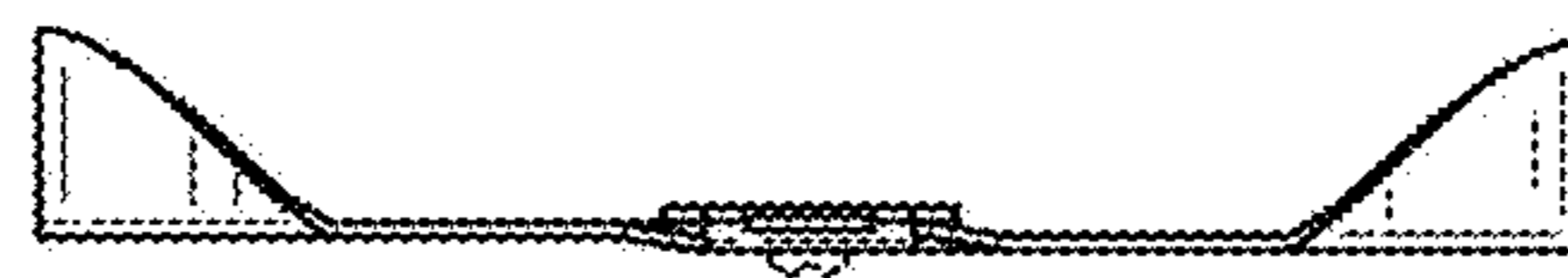


FIG. 7

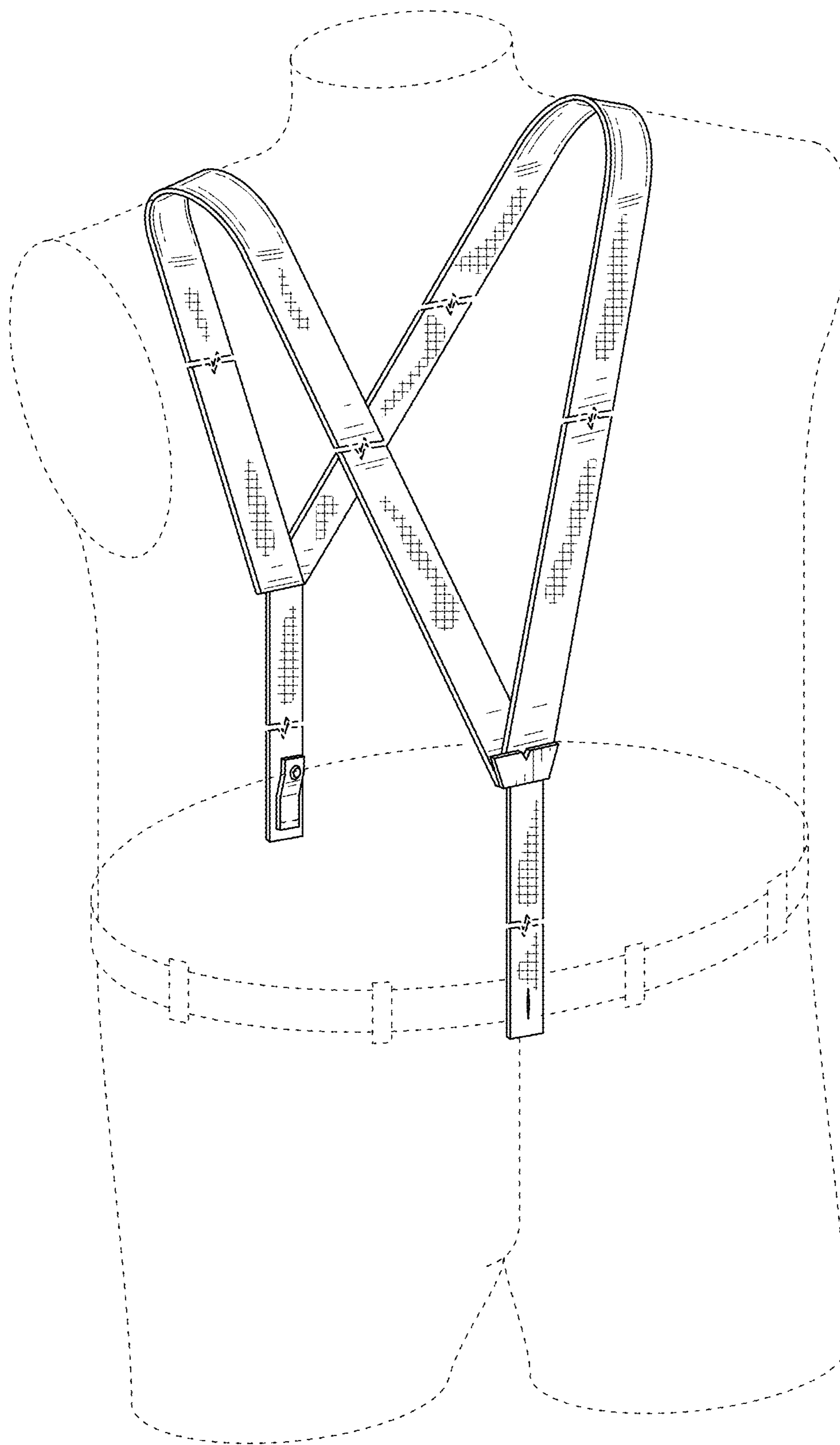


FIG. 8

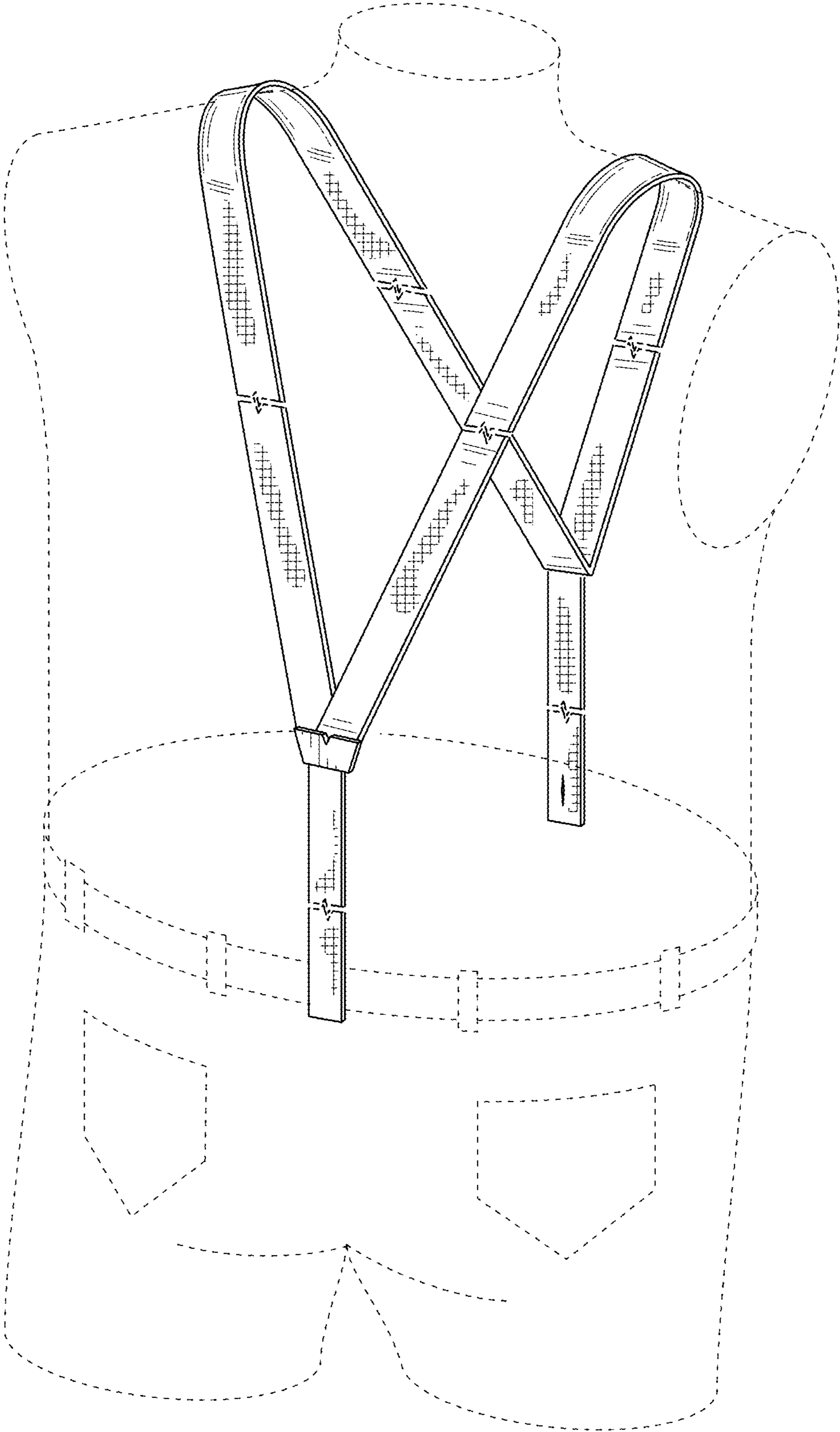


FIG. 9

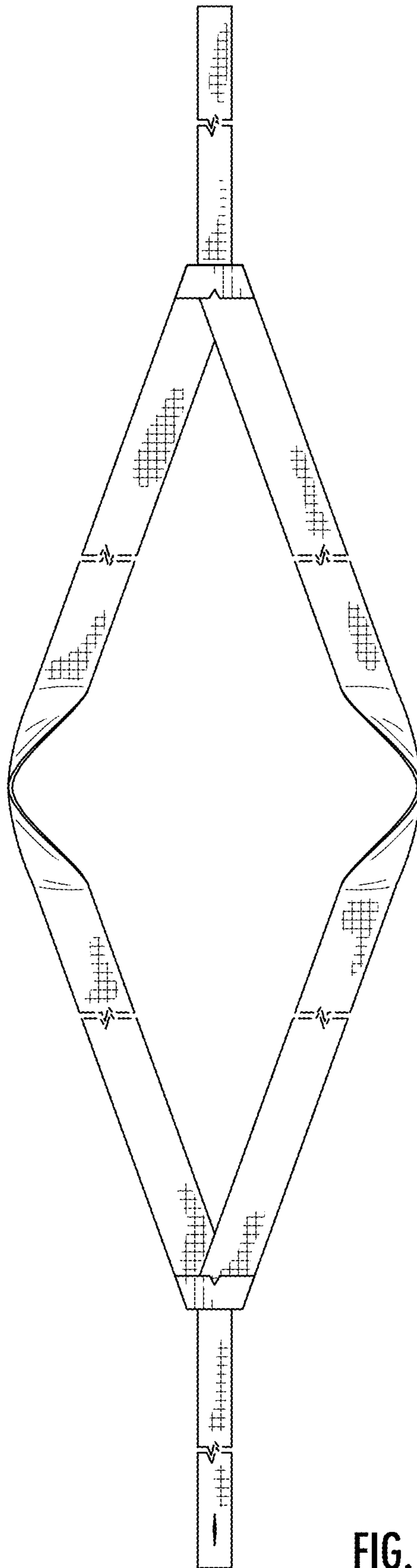


FIG. 10

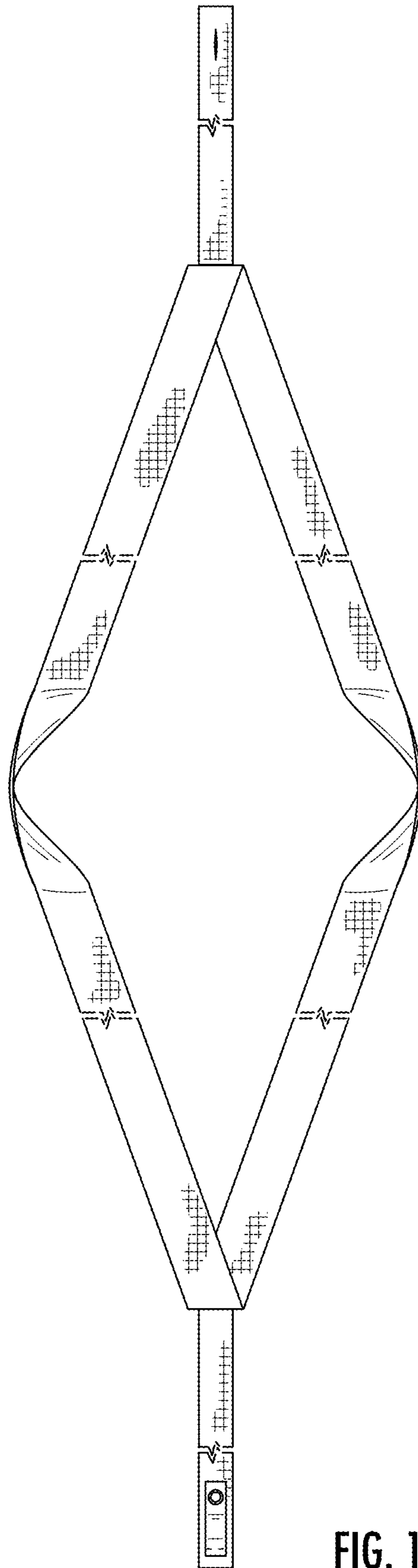


FIG. 11

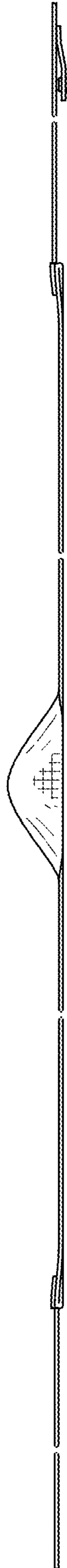


FIG. 12

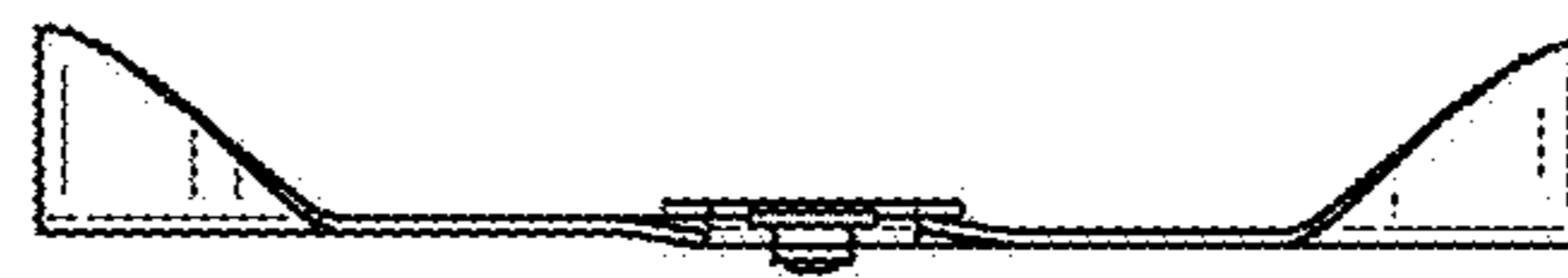


FIG. 13



FIG. 14

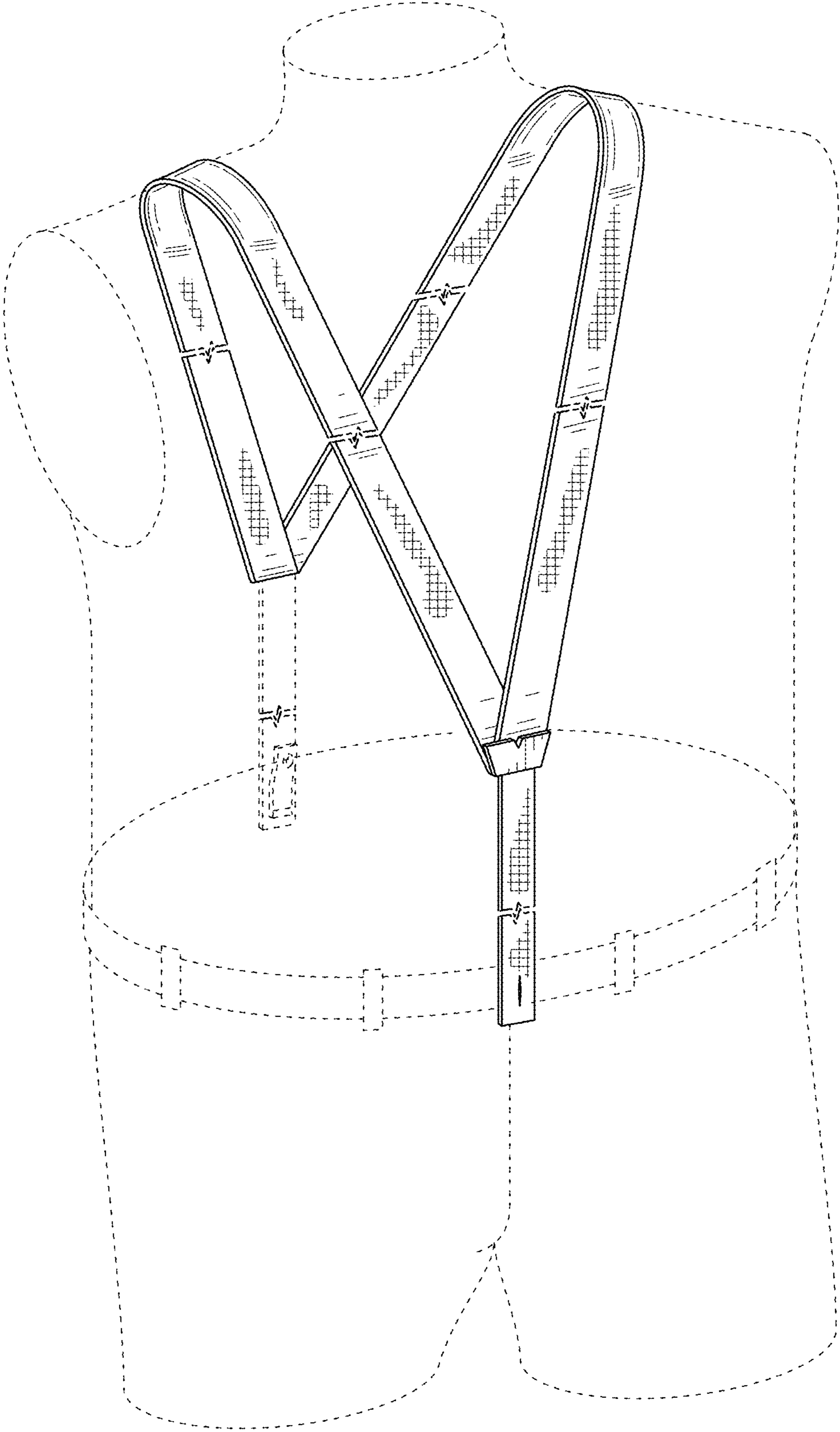


FIG. 15

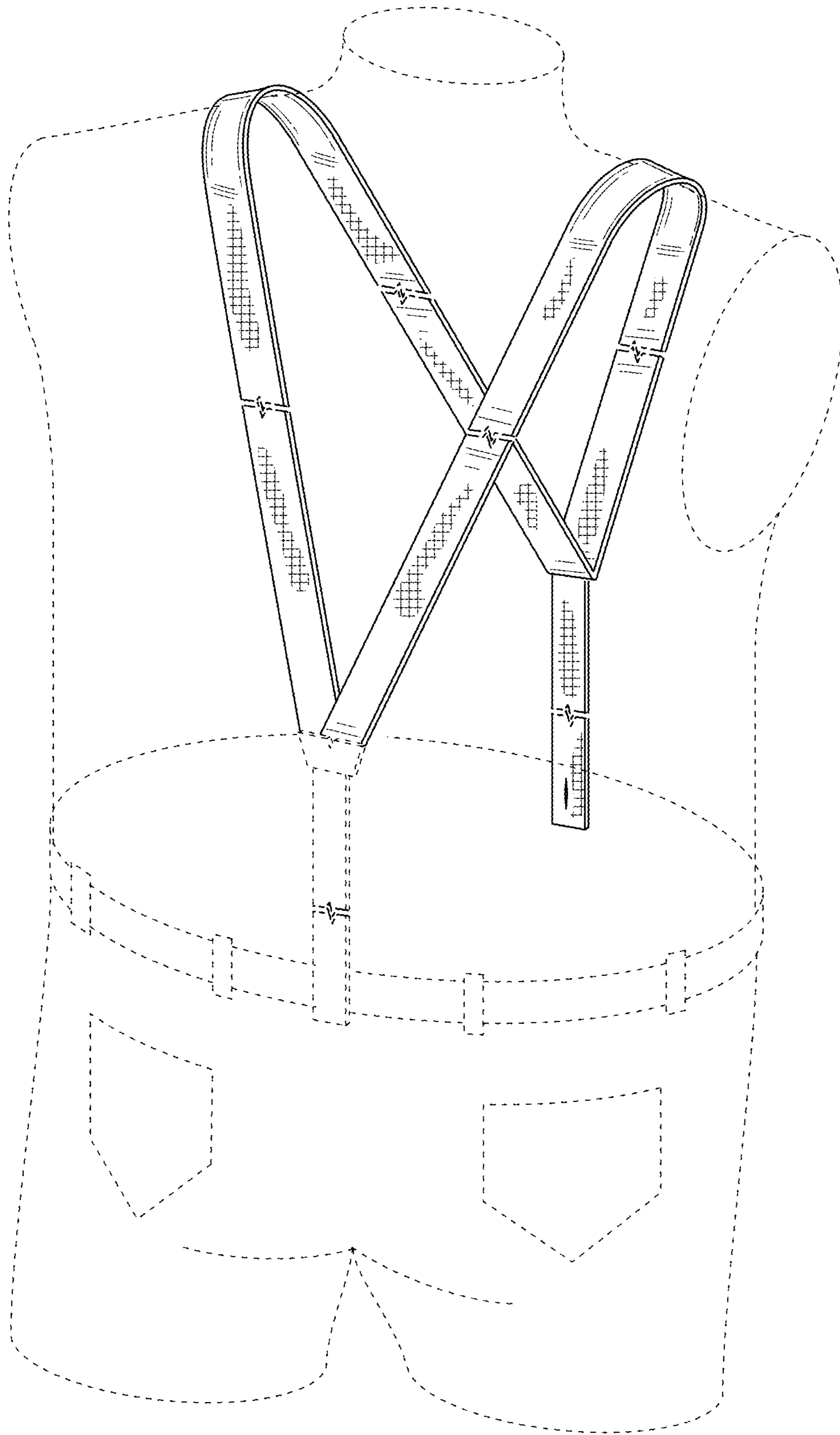


FIG. 16

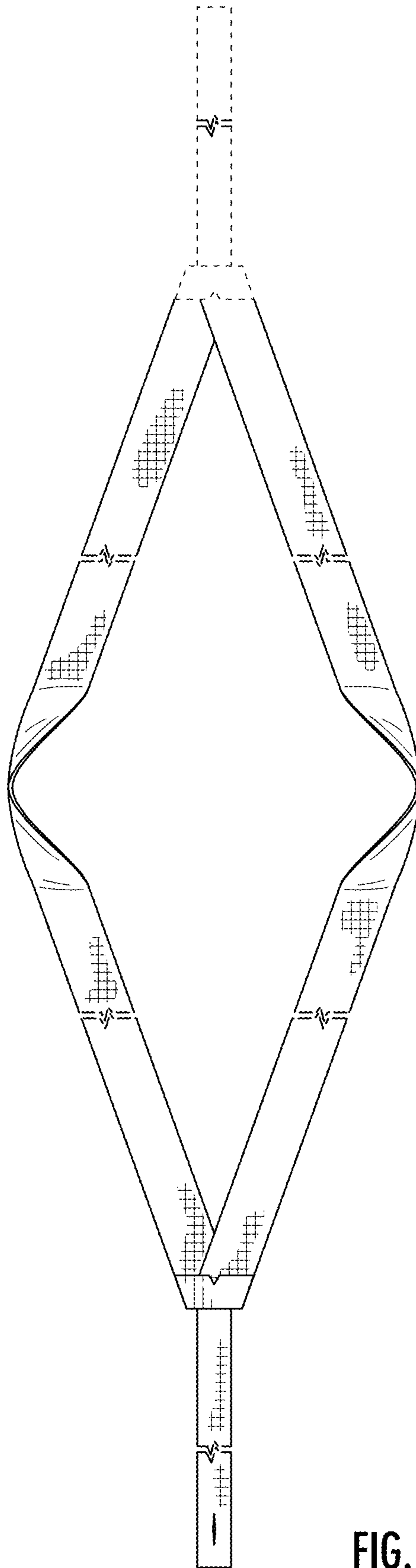


FIG. 17

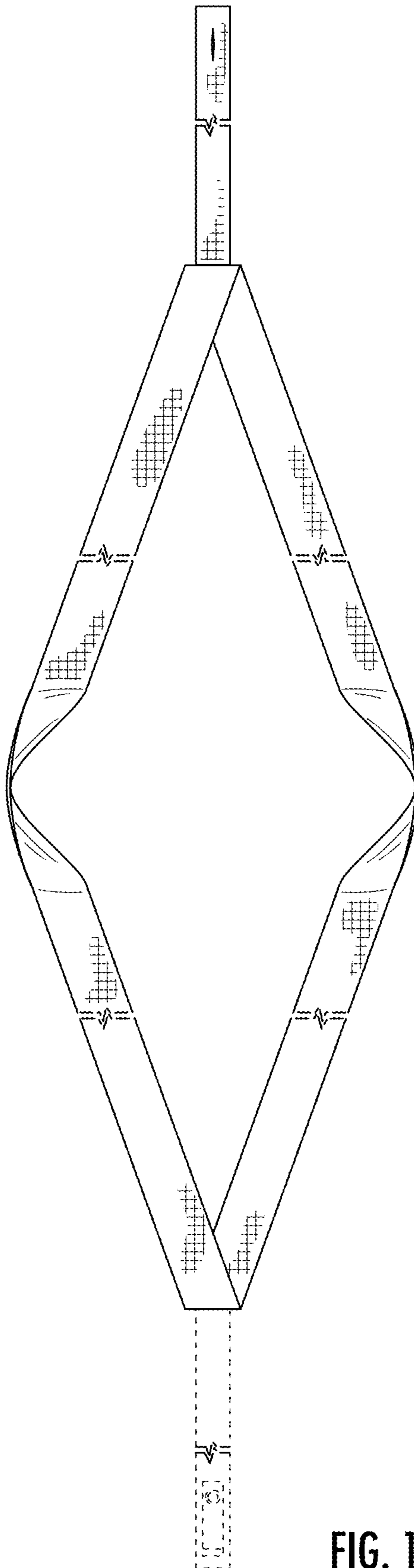


FIG. 18

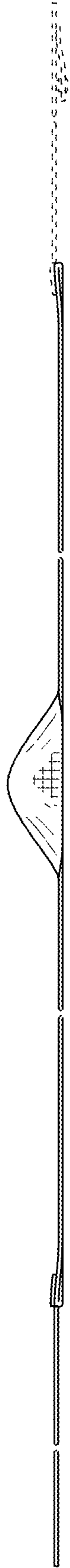


FIG. 19

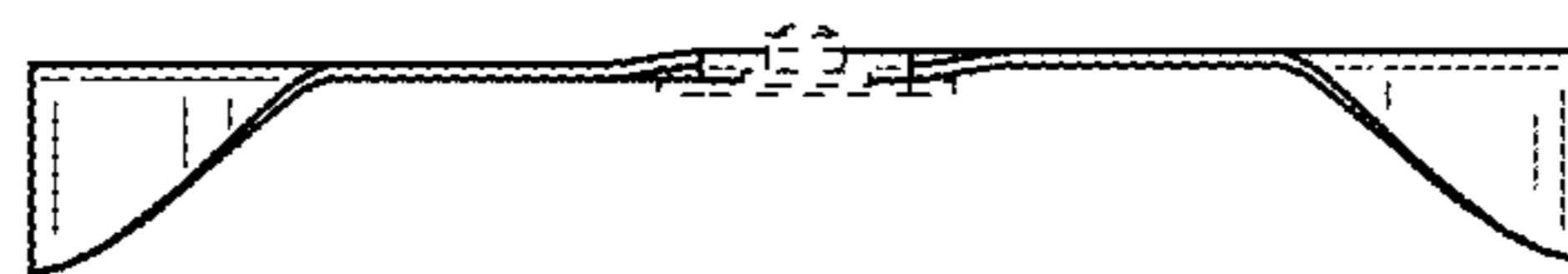


FIG. 20



FIG. 21