



US00D914326S

(12) **United States Design Patent**
Patterson

(10) **Patent No.:** **US D914,326 S**
(45) **Date of Patent:** **** Mar. 30, 2021**

- (54) **DRIP CATCHER**
- (71) Applicant: **Renard Patterson**, Brooklyn, NY (US)
- (72) Inventor: **Renard Patterson**, Brooklyn, NY (US)
- (**) Term: **15 Years**
- (21) Appl. No.: **29/651,323**
- (22) Filed: **Apr. 26, 2018**
- (51) **LOC (13) Cl.** **01-01**
- (52) **U.S. Cl.**
USPC **D1/105**
- (58) **Field of Classification Search**
USPC D1/100-130, 199; 426/104, 115, 121,
426/129, 130, 144, 249, 274, 303, 414,
426/420; D21/386, 401, 722; D6/597;
D7/507, 675, 400; 220/574; 29/428;
D8/71; D24/122; 229/87.08, 400;
D9/711, 712
CPC A23G 9/503; A23G 9/48; A23G 9/282;
A23G 9/285; A23G 3/2023; A23L
1/0067; A21D 2/36; A21D 13/0029
See application file for complete search history.

(56) **References Cited**

U.S. PATENT DOCUMENTS

- 1,599,267 A * 9/1926 Amos B65D 3/262
229/87.05
- 1,800,759 A 10/1927 Shean
- 1,920,995 A 8/1929 Legge
- 1,852,830 A * 4/1932 Whitcomb B65D 3/22
229/400
- 2,766,123 A 10/1956 Moubayed
- 2,948,452 A * 8/1960 Grogan B65D 85/78
426/132
- 3,306,512 A * 2/1967 Pagnini B65D 85/78
426/135
- 4,637,164 A * 1/1987 Brown A01G 13/105
43/106
- 4,718,594 A 1/1988 Harazi

- 4,718,595 A 1/1988 Jones
- 4,720,037 A 1/1988 Alpert
- 4,938,411 A 7/1990 Rizzuto
- 4,992,283 A 2/1991 Shorey
- 5,152,454 A * 10/1992 Warta B65D 85/78
229/4.5
- 5,244,646 A 7/1993 Biancosino
- 6,230,764 B1 5/2001 Rodman
- 6,237,646 B1 5/2001 Rodman
- D540,006 S * 4/2007 Green D1/105
- D675,107 S * 1/2013 Vulgamott D9/711
- D681,306 S * 5/2013 Firsing-Paris D1/105
- D720,116 S * 12/2014 Greenwald D1/105
- D770,857 S * 11/2016 Davidson, IV D7/553.6
- 2003/0087011 A1 * 5/2003 Perkins A23G 9/503
426/134

(Continued)

Primary Examiner — Katie Jane Stofko

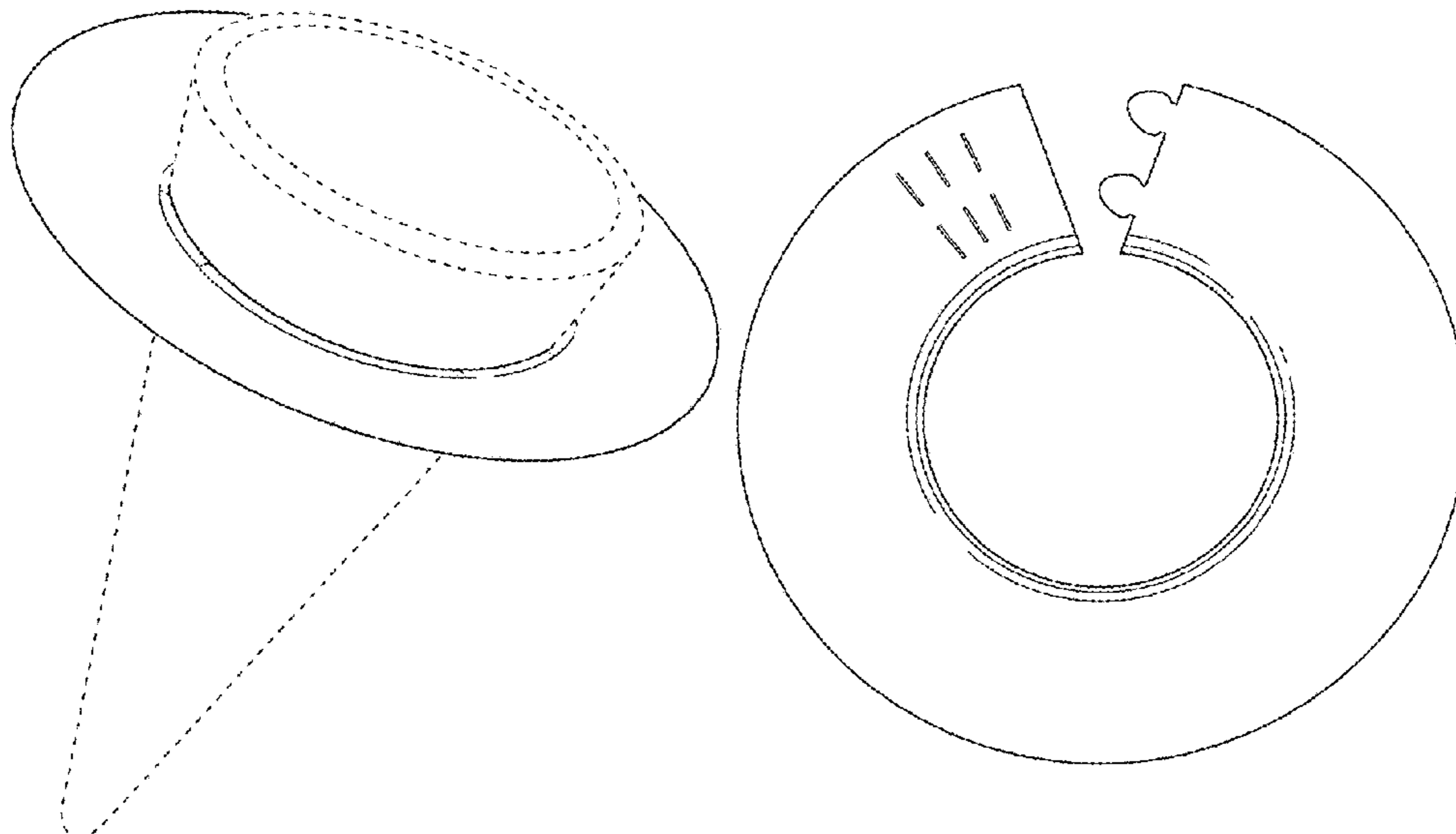
(57) **CLAIM**

The ornamental design for a drip catcher, as shown and described.

DESCRIPTION

FIG. 1 is a perspective view of a drip catcher showing our new design in an environment of use;
 FIG. 2 is a front elevation view thereof, shown in an environment of use;
 FIG. 3 is a rear elevation view thereof, shown in an environment of use;
 FIG. 4 is a bottom plan view thereof, shown in an unassembled form, the top plan view being a mirror image thereof;
 FIG. 5 is a bottom plan view in the assembled form thereof; and,
 FIG. 6 is a top plan view thereof.
 The broken lines in FIGS. 1-3 illustrate environment that form no part of the claimed design.

1 Claim, 6 Drawing Sheets



(56)

References Cited

U.S. PATENT DOCUMENTS

2004/0096553 A1* 5/2004 Lynch A23G 9/503
426/132

* cited by examiner

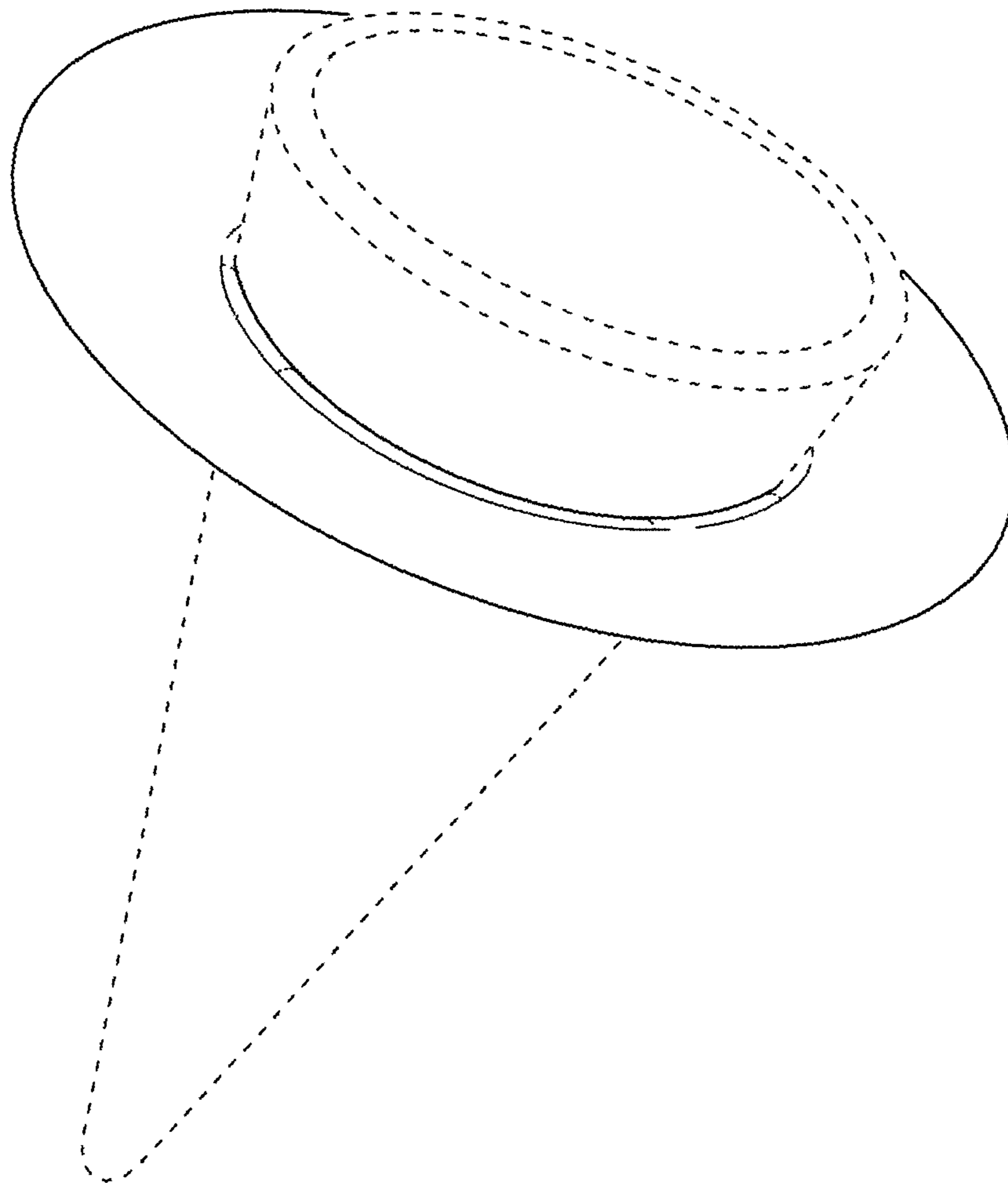
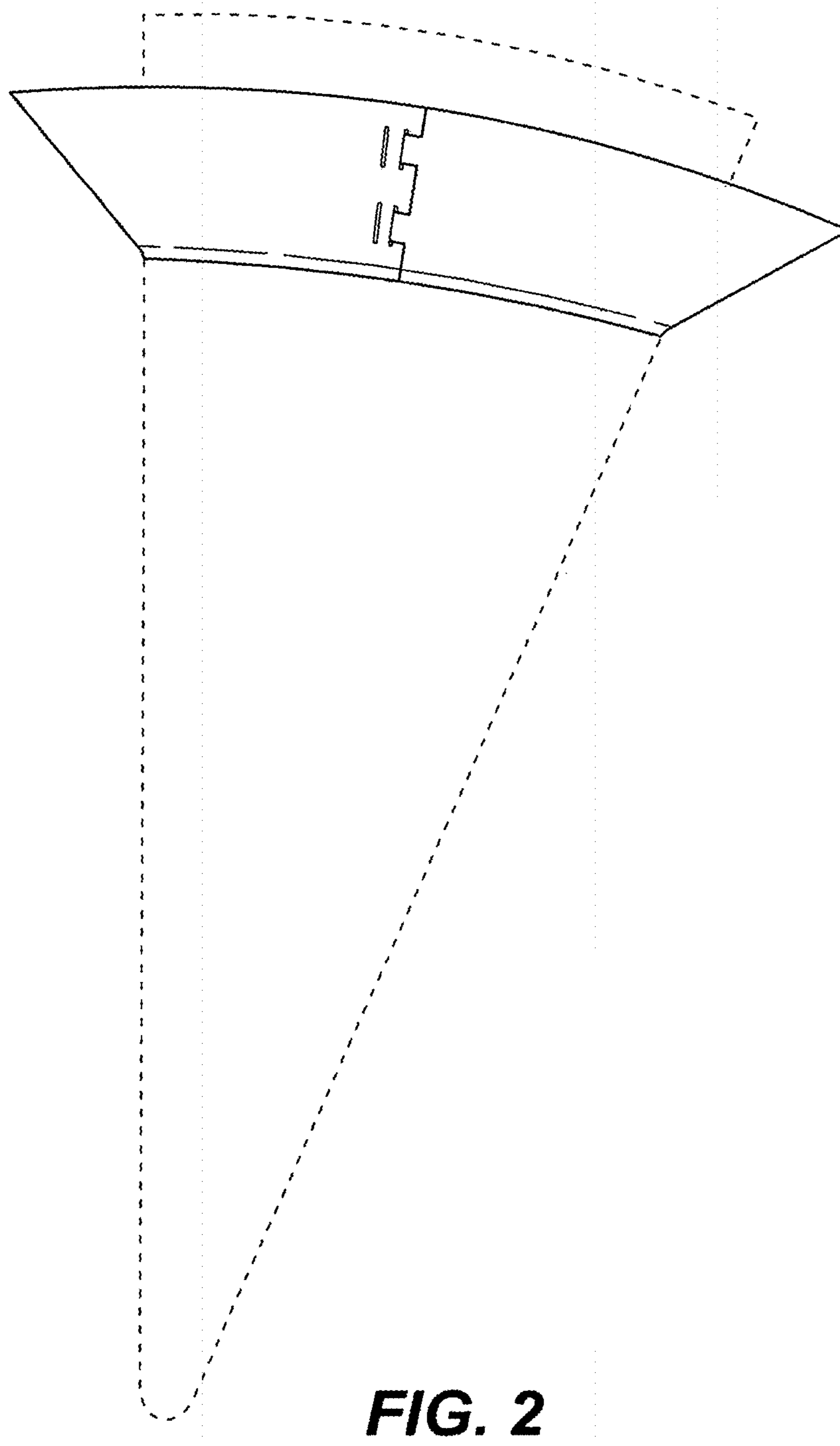


FIG. 1



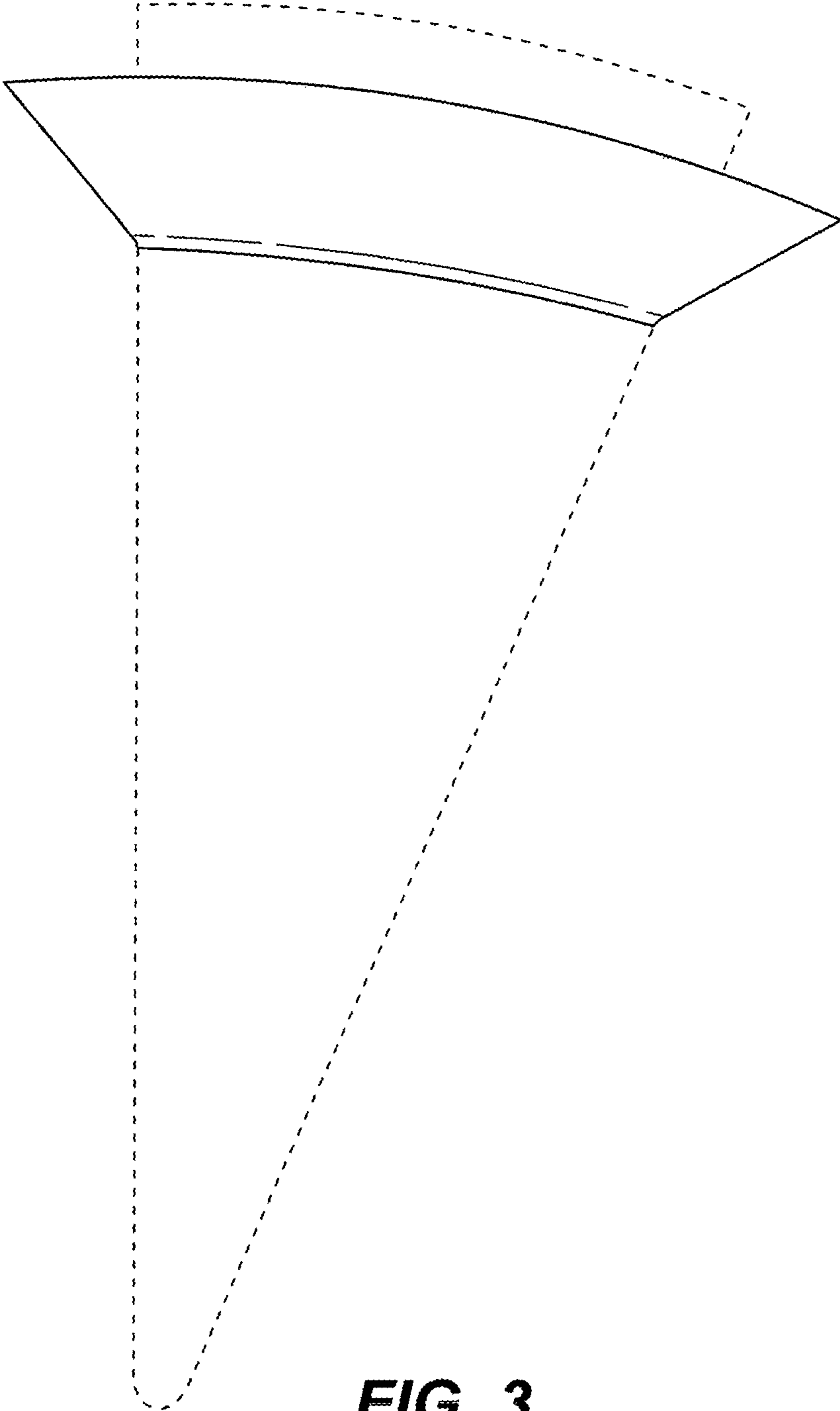


FIG. 3

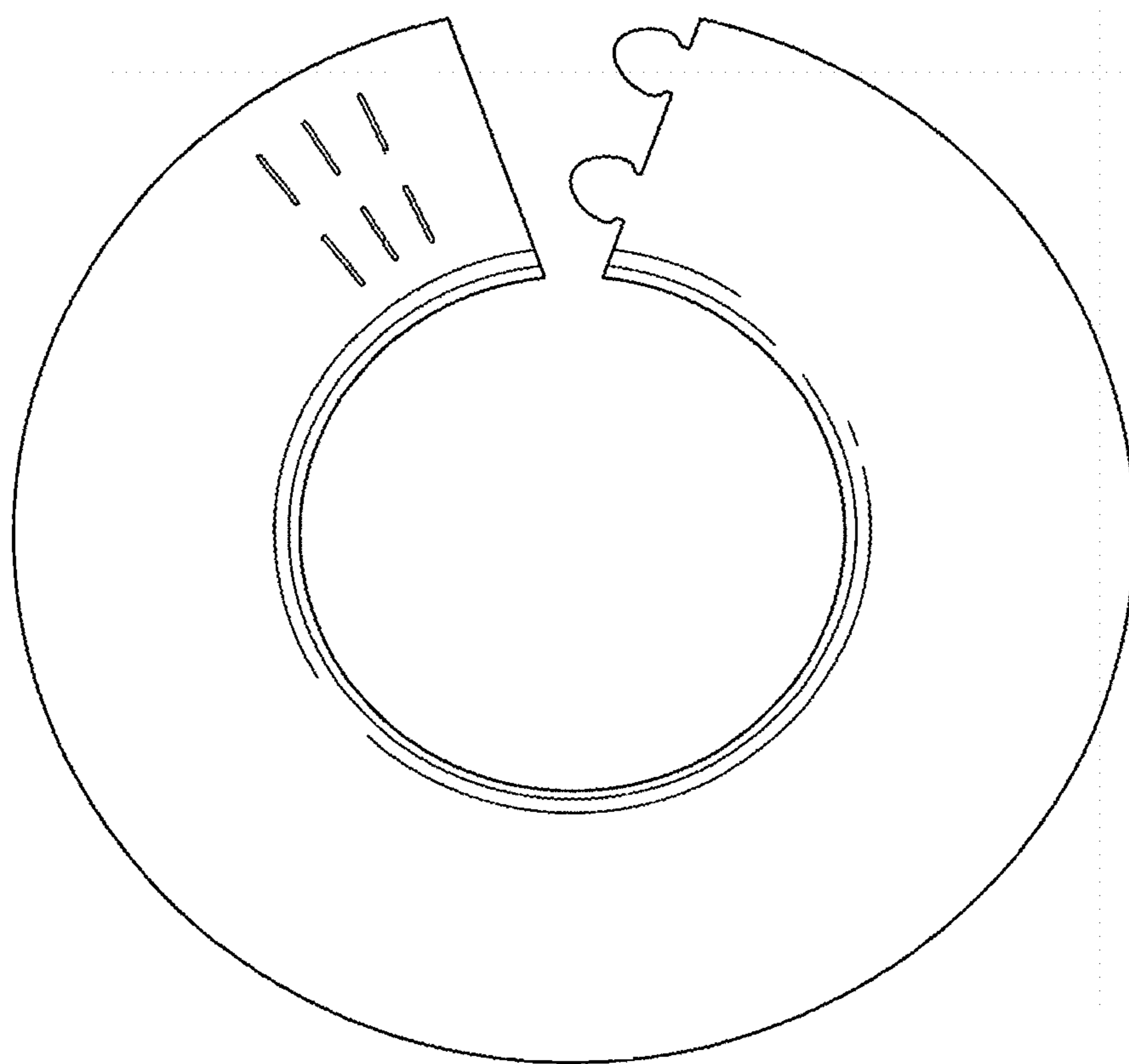


FIG. 4

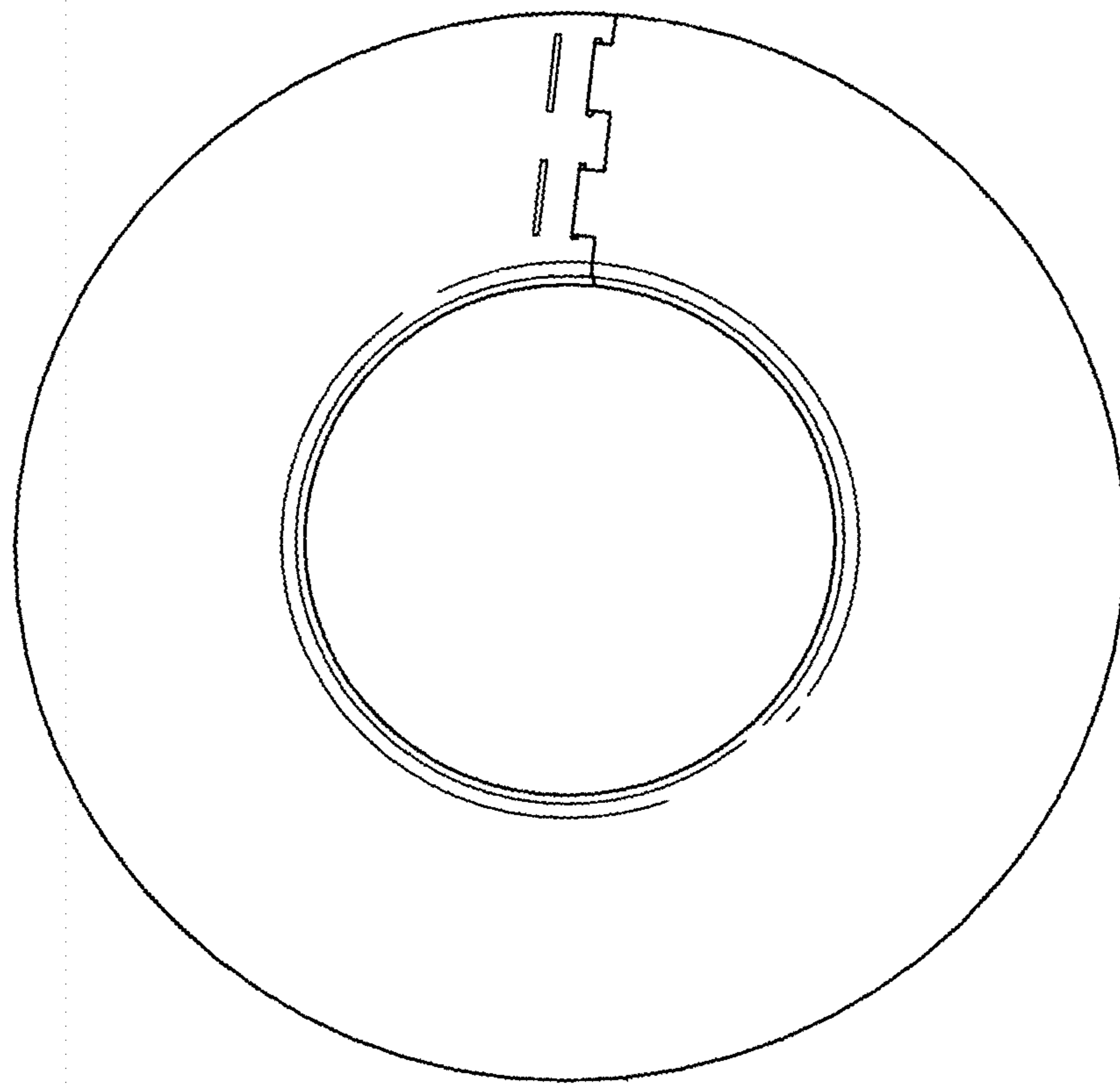


FIG. 5

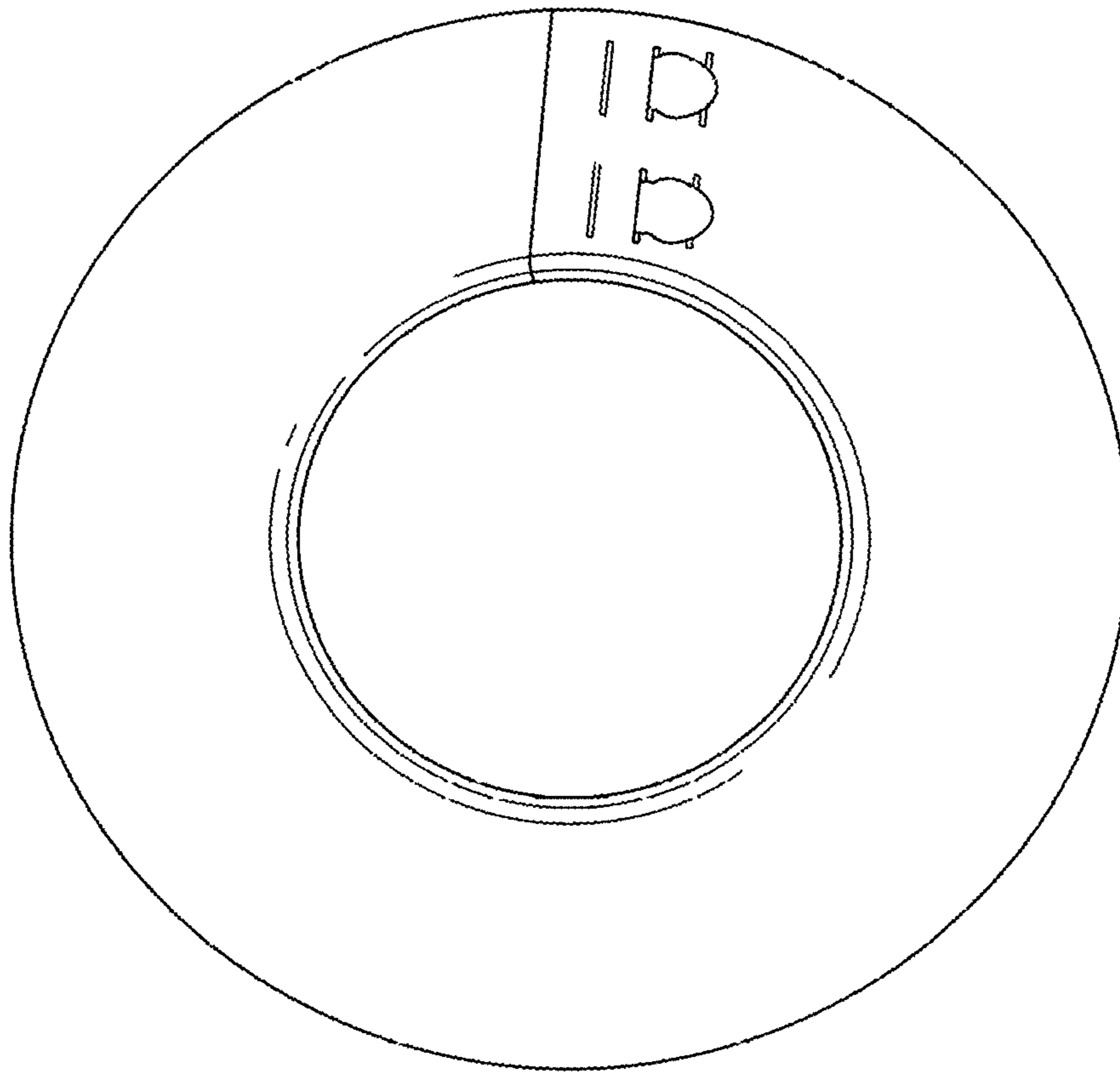


FIG. 6