



US00D914323S

(12) **United States Design Patent**
Ritchie

(10) **Patent No.:** **US D914,323 S**

(45) **Date of Patent:** **** Mar. 23, 2021**

- (54) **PALLET CARRIER**
- (71) Applicant: **MONOFLO INTERNATIONAL, INC.**, Winchester, VA (US)
- (72) Inventor: **Bryan S. Ritchie**, Clear Brook, VA (US)
- (73) Assignee: **MONOFLO INTERNATIONAL, INC.**, Winchester, VA (US)
- (**) Term: **15 Years**
- (21) Appl. No.: **29/686,571**
- (22) Filed: **Apr. 5, 2019**
- (51) **LOC (13) Cl.** **09-08**
- (52) **U.S. Cl.**
USPC **D34/38**
- (58) **Field of Classification Search**
USPC D34/28, 29, 30, 31, 32, 33, 34, 35, 36, D34/37, 38; D25/119, 120, 122, 123, D25/124, 125, 126; D8/349, 354, D8/373-377; D9/456
CPC B65D 2519/00; B65D 2519/00273; B65D 2519/00288; B65D 2519/00363; B65D 2519/00069; B65B 65/00; E06B 1/12; E04C 3/00; E04C 3/02; E04C 3/125; E04C 3/127; E04B 1/18; E04B 1/24
See application file for complete search history.

D485,659	S	*	1/2004	Medoff	D34/38
D568,024	S	*	4/2008	Al Sanea	D34/38
D633,273	S	*	2/2011	Kellerer	D34/38
D655,475	S	*	3/2012	Lin	D34/38
D661,453	S	*	6/2012	Kelly	D34/38
D685,564	S	*	7/2013	Haglund	D34/38
D704,915	S	*	5/2014	Reyhan	D34/38
D708,811	S	*	7/2014	Kelly	D34/38
D719,713	S	*	12/2014	Fellers	D34/38
D775,774	S	*	1/2017	Fellers	D34/38
D798,024	S	*	9/2017	Poran	D34/38
D804,768	S	*	12/2017	Norton	D34/35
D816,287	S	*	4/2018	Hunt, III	D34/38
D822,308	S	*	7/2018	Hunt, III	D34/38
D847,450	S	*	4/2019	Norton	D34/35
D869,812	S	*	12/2019	Lin	D34/38
D899,725	S	*	10/2020	Blosser	D34/38
10,882,660	B2	*	1/2021	D'Emidio	B65D 19/0016
2009/0064906	A1	*	3/2009	Cance	B65D 19/0038
						108/56.3

* cited by examiner

Primary Examiner — George A Bugg
Assistant Examiner — Tamara L Hahn
(74) *Attorney, Agent, or Firm* — Nixon & Vanderhye P.C.

(57) **CLAIM**

The ornamental design for a pallet carrier, as shown and described.

DESCRIPTION

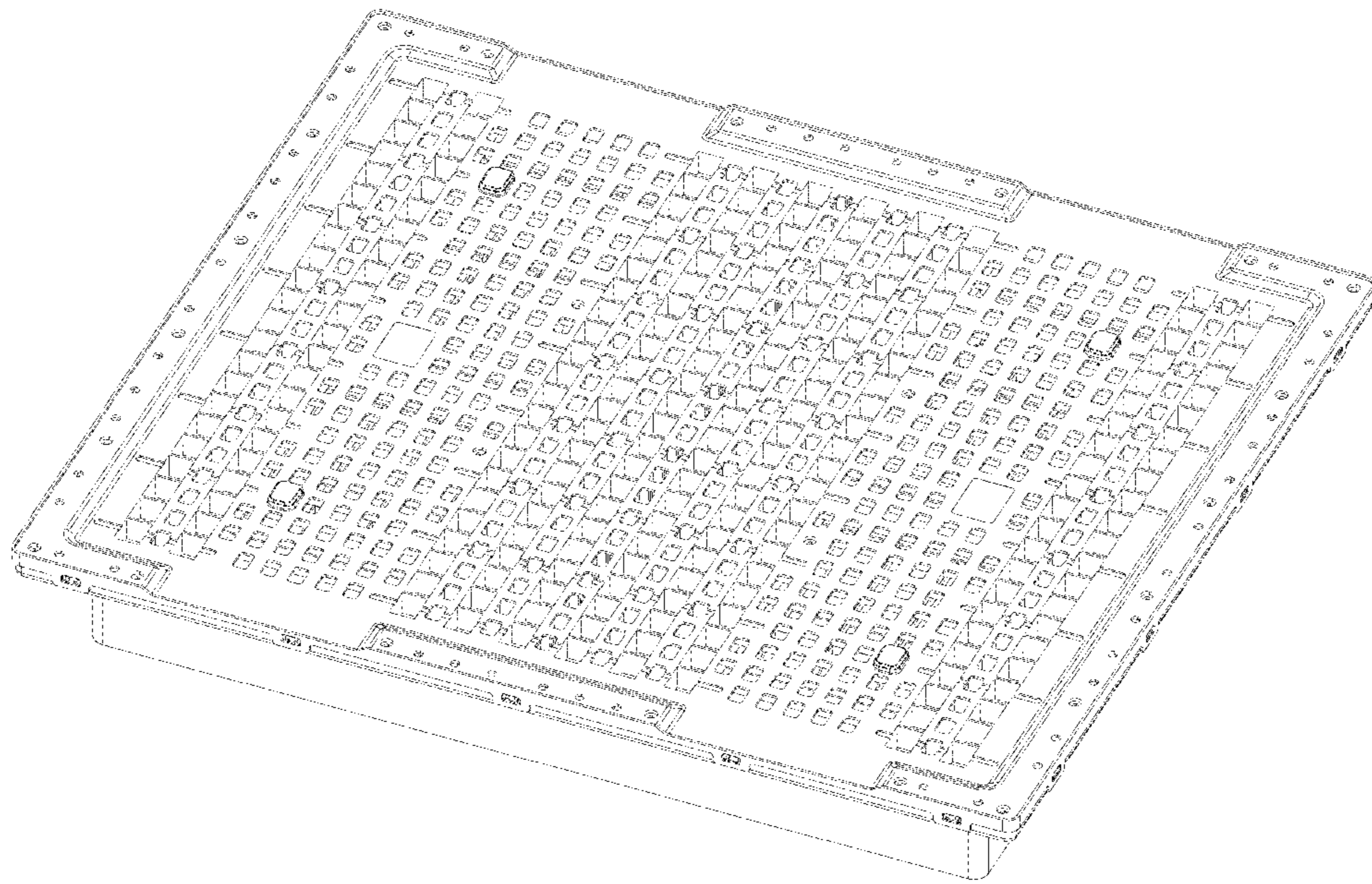
FIG. 1 is a top perspective view of a pallet carrier;
FIG. 2 is a bottom perspective view thereof;
FIG. 3 is a front view thereof;
FIG. 4 is a rear view thereof;
FIG. 5 is a top view thereof;
FIG. 6 is a bottom view thereof;
FIG. 7 is a left side view thereof; and,
FIG. 8 is a right side view thereof.

1 Claim, 6 Drawing Sheets

(56) **References Cited**

U.S. PATENT DOCUMENTS

D364,030	S	*	11/1995	Pigott	D34/38
D410,786	S	*	6/1999	Favaron	D34/38
D443,969	S	*	6/2001	Apps	D34/38
D445,986	S	*	7/2001	Stanek	D34/38
D464,186	S	*	10/2002	Medoff	D34/38
D472,360	S	*	3/2003	Medoff	D34/38



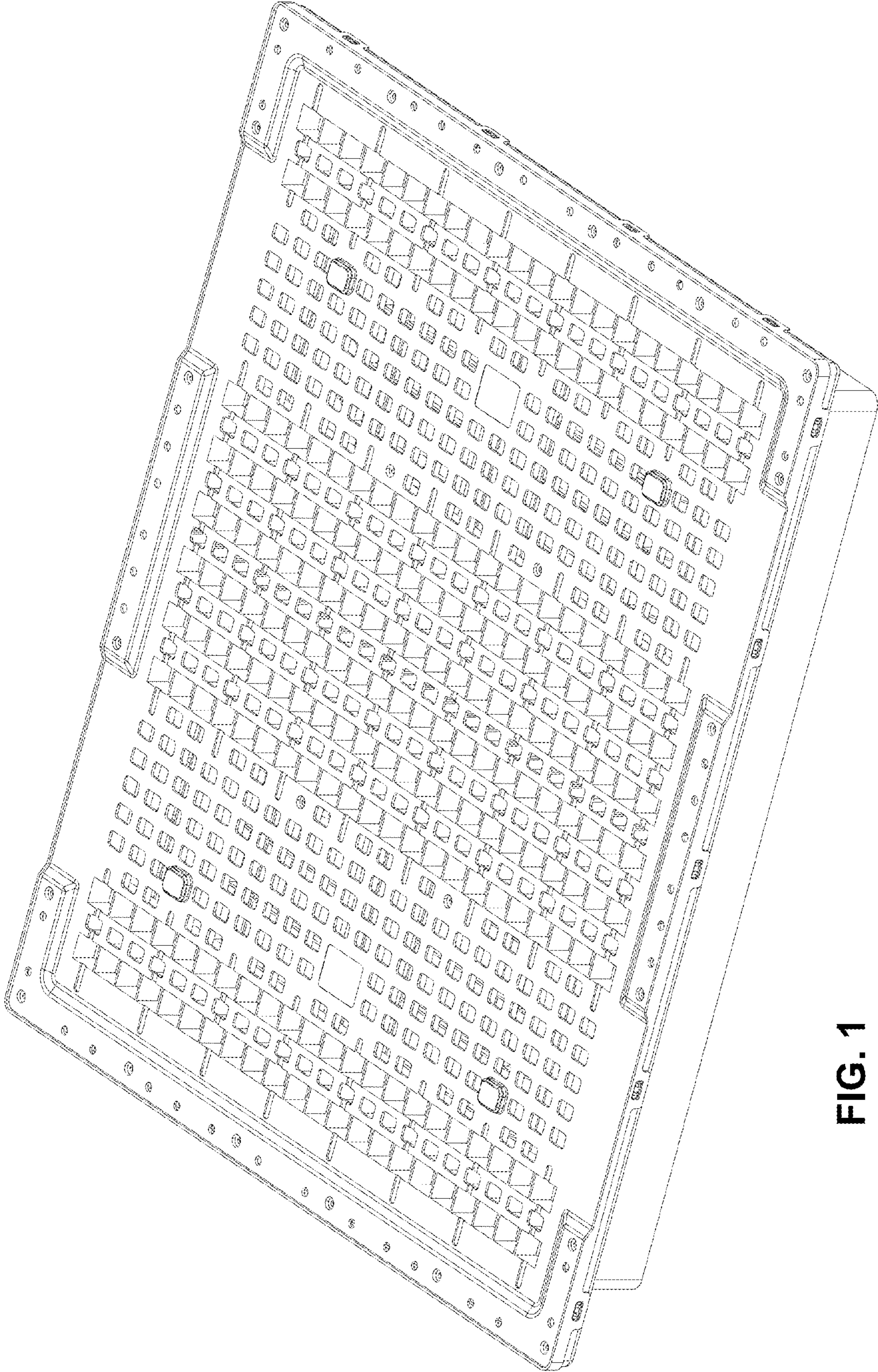


FIG. 1

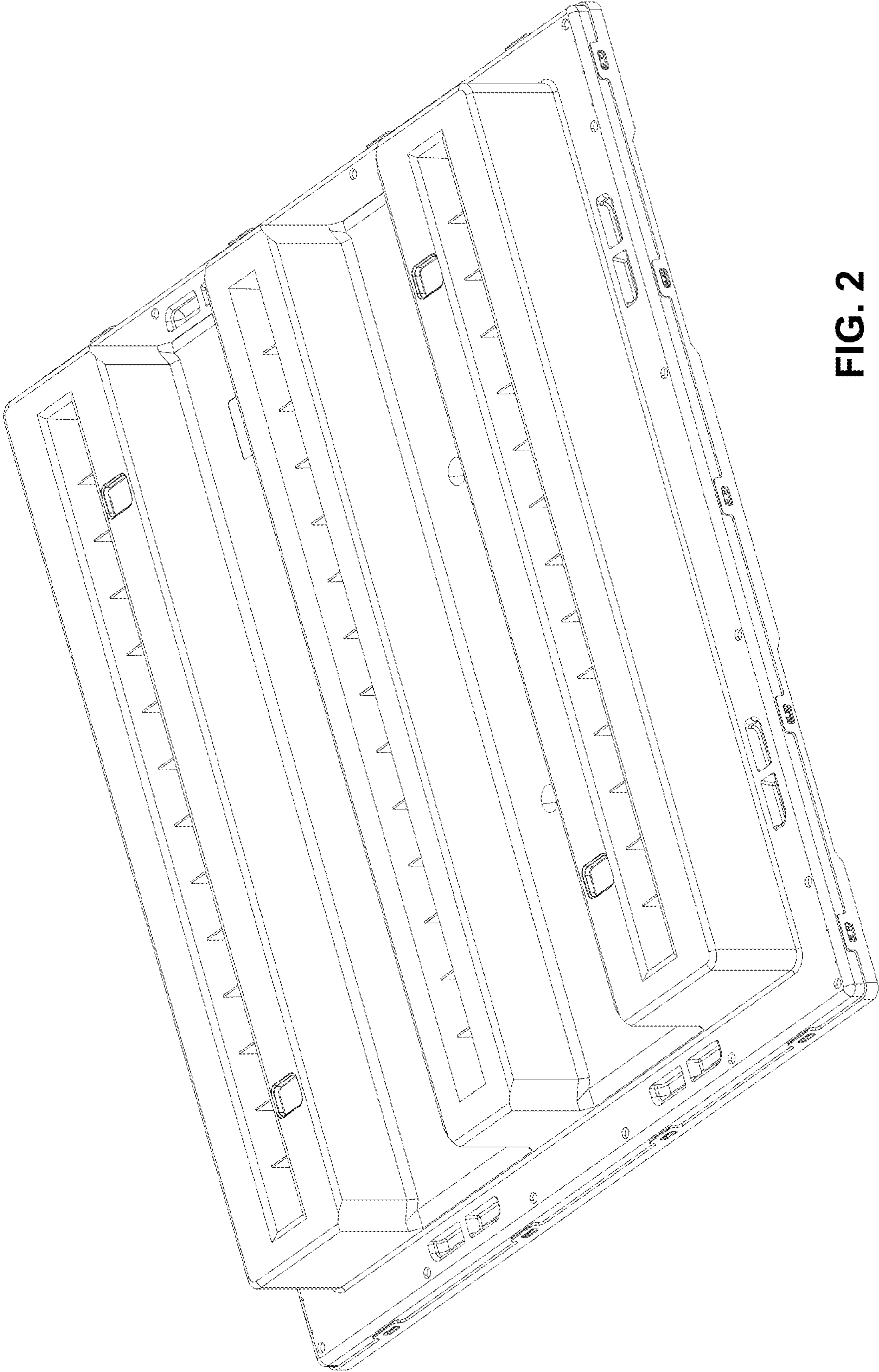


FIG. 2

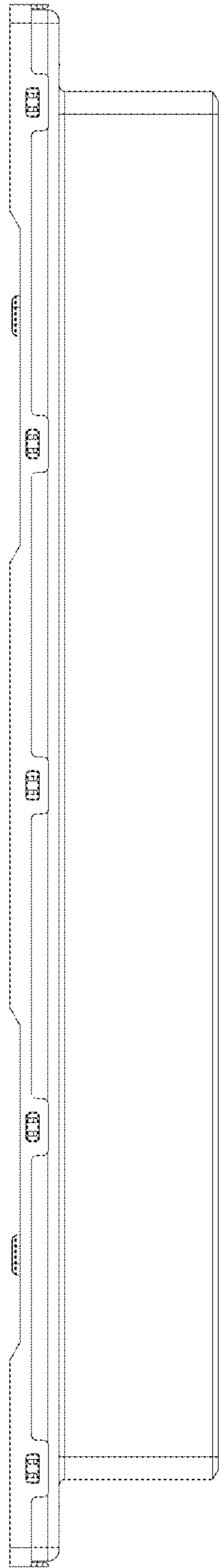


FIG. 3

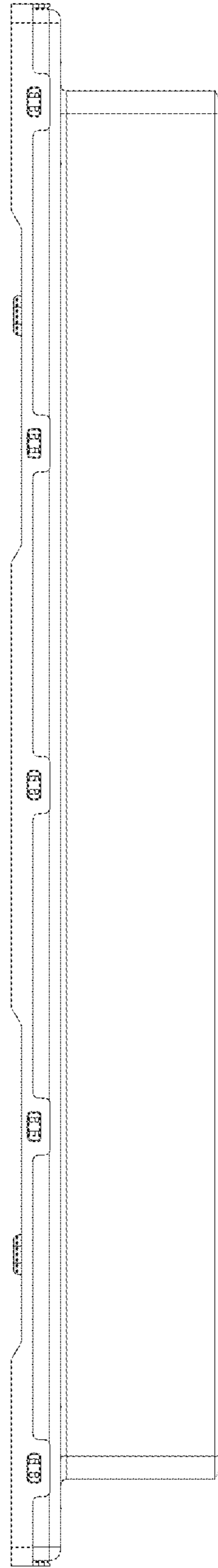
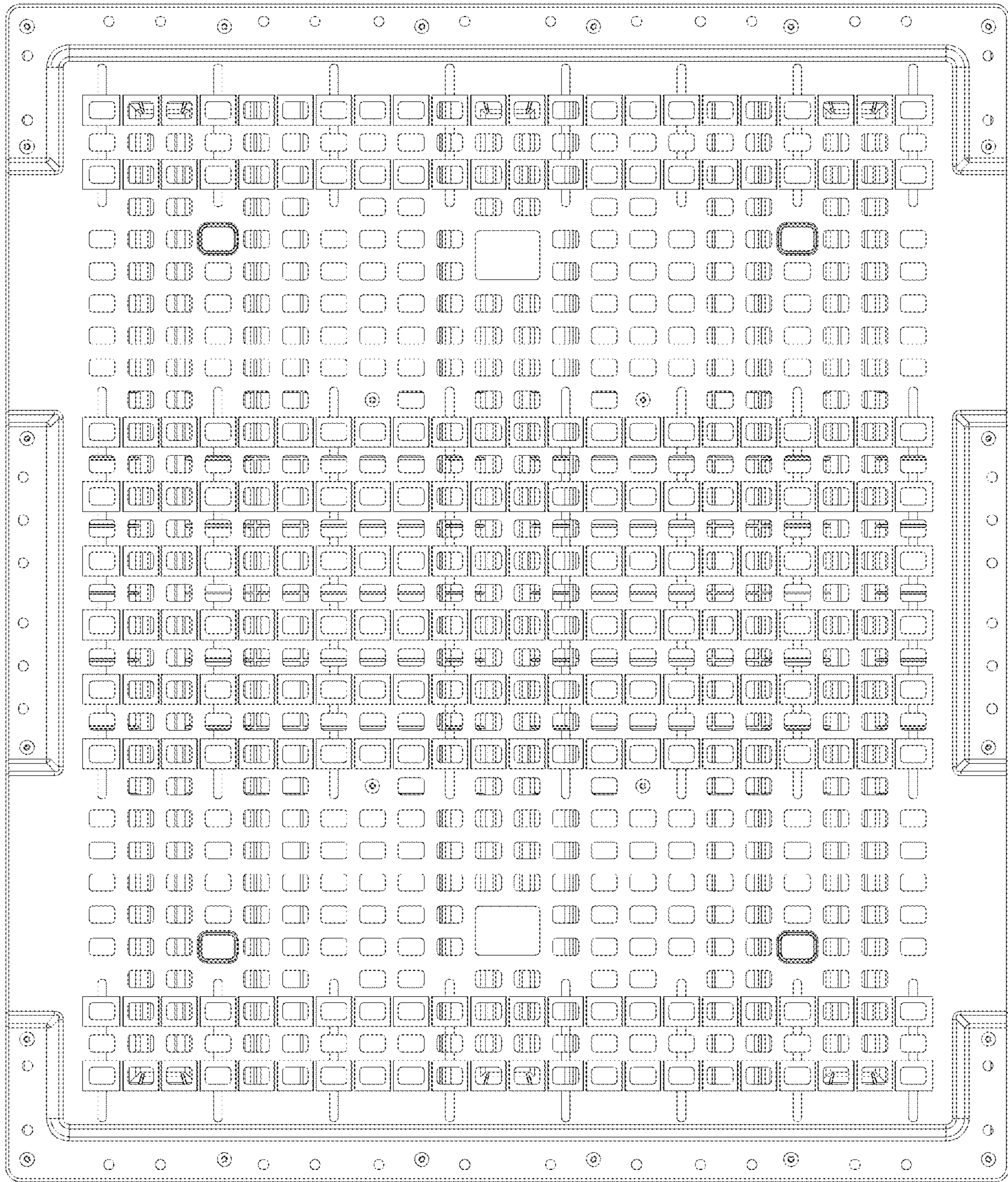


FIG. 4

FIG. 5



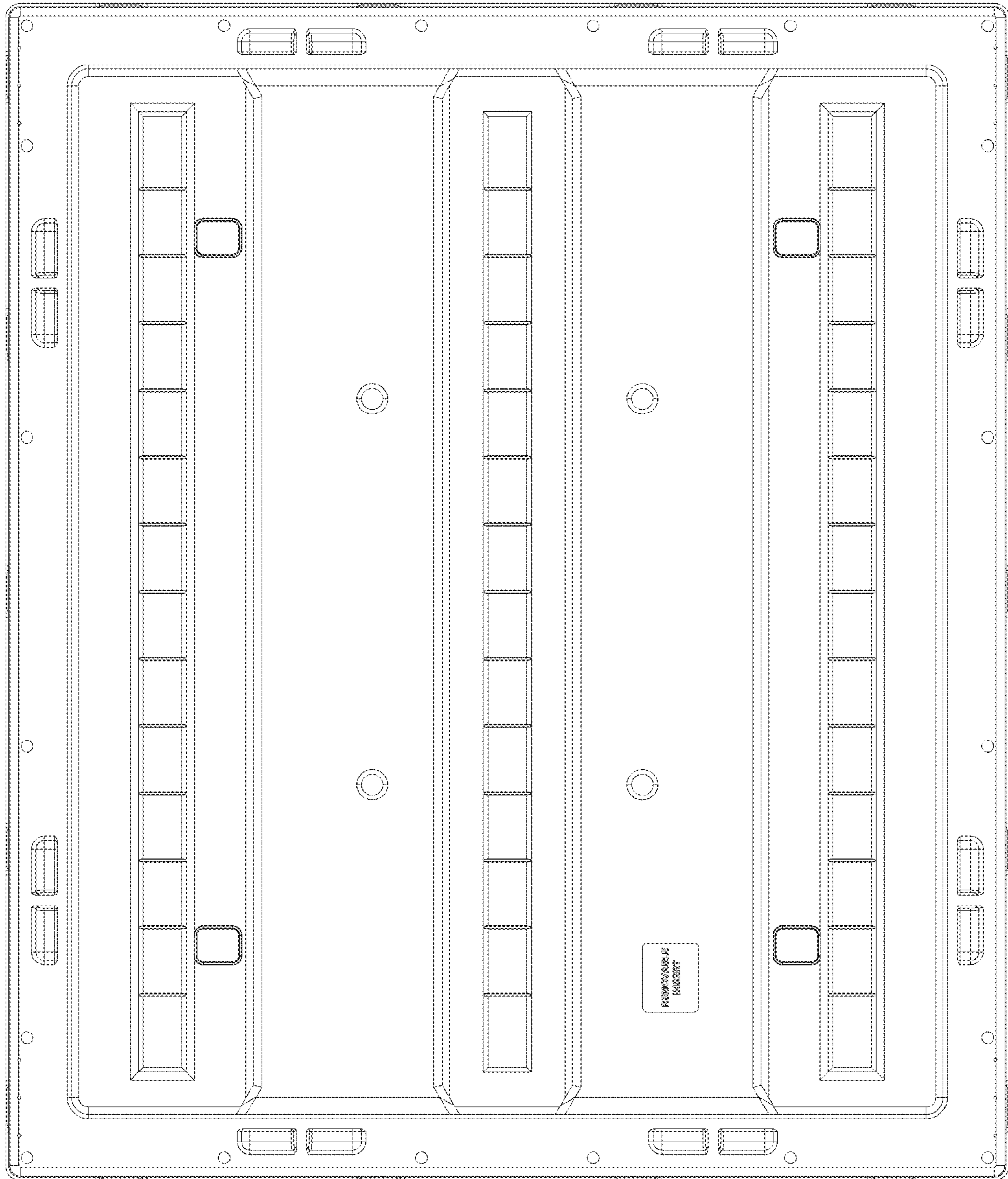


FIG. 6

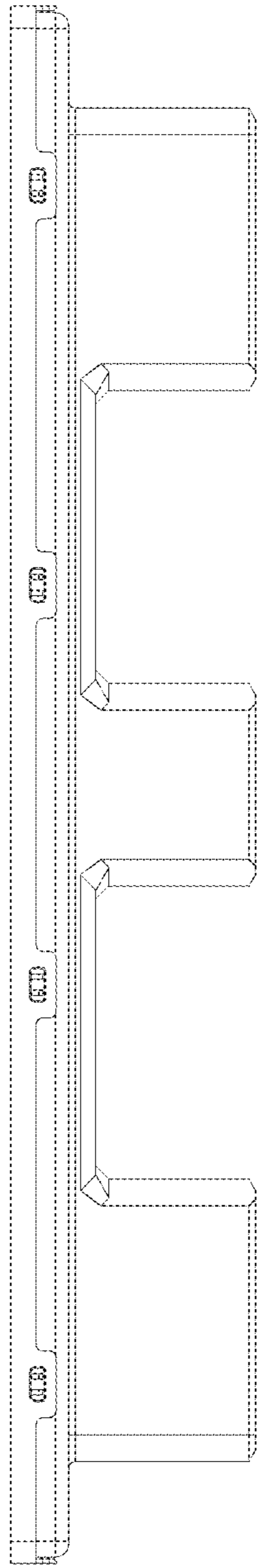


FIG. 7

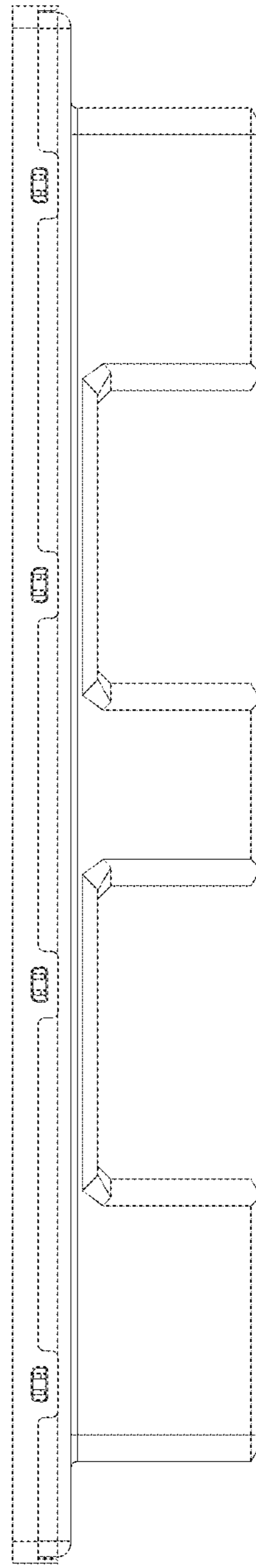


FIG. 8