

US00D914320S

(12) **United States Design Patent** (10) **Patent No.:** **US D914,320 S**  
**Specht** (45) **Date of Patent:** **\*\* Mar. 23, 2021**

(54) **CONVEYOR**  
(71) Applicant: **AVANCON SA**, Riazzino (CH)  
(72) Inventor: **Dieter Specht**, Arcegno (CH)  
(73) Assignee: **AVANCON SA**, Riazzino (CH)  
(\*\*) Term: **15 Years**  
(21) Appl. No.: **29/721,703**  
(22) Filed: **Jan. 22, 2020**

3,860,106 A 1/1975 Cooley  
D238,510 S 1/1976 Tabler  
3,983,988 A 10/1976 Maxted et al.  
4,523,674 A 6/1985 Haugen et al.  
4,720,007 A 1/1988 Milek  
D305,366 S 1/1990 Ripley  
5,012,914 A 5/1991 Berends et al.  
D340,341 S 10/1993 Lawless et al.  
D345,427 S 3/1994 Moss et al.  
5,333,722 A 8/1994 Ouellette  
5,577,596 A 11/1996 Van Essen

(Continued)

**Related U.S. Application Data**

(62) Division of application No. 29/618,289, filed on Sep. 20, 2017, now Pat. No. Des. 878,701.

**Foreign Application Priority Data**

Mar. 20, 2017 (WO) ..... DM/095770

(51) **LOC (13) Cl.** ..... **12-05**

(52) **U.S. Cl.**  
USPC ..... **D34/29**

(58) **Field of Classification Search**  
USPC ..... D34/29  
CPC ..... B65G 21/02; B65G 23/08; B65G 43/10;  
B65G 13/06; B65G 13/07; B65G  
2201/02; B65G 2201/06; B65G 47/268;  
B65G 17/24

See application file for complete search history.

(56) **References Cited**

**U.S. PATENT DOCUMENTS**

2,593,089 A 4/1952 Barry  
2,860,766 A 11/1958 Welter  
3,559,782 A 2/1971 Lesley  
3,775,821 A 12/1973 Somerville  
3,812,562 A 5/1974 Lovett  
3,847,260 A 11/1974 Fowler

**FOREIGN PATENT DOCUMENTS**

DE 102009044457 A1 5/2011  
DE 202006021083 U1 7/2012

(Continued)

**OTHER PUBLICATIONS**

Aug. 1, 2013, International communication issued for related International application No. PCT/IB/001177.

(Continued)

*Primary Examiner* — Cynthia Ramirez

(74) *Attorney, Agent, or Firm* — Nixon & Vanderhye

(57) **CLAIM**

The ornamental design for a conveyor, as shown and described.

**DESCRIPTION**

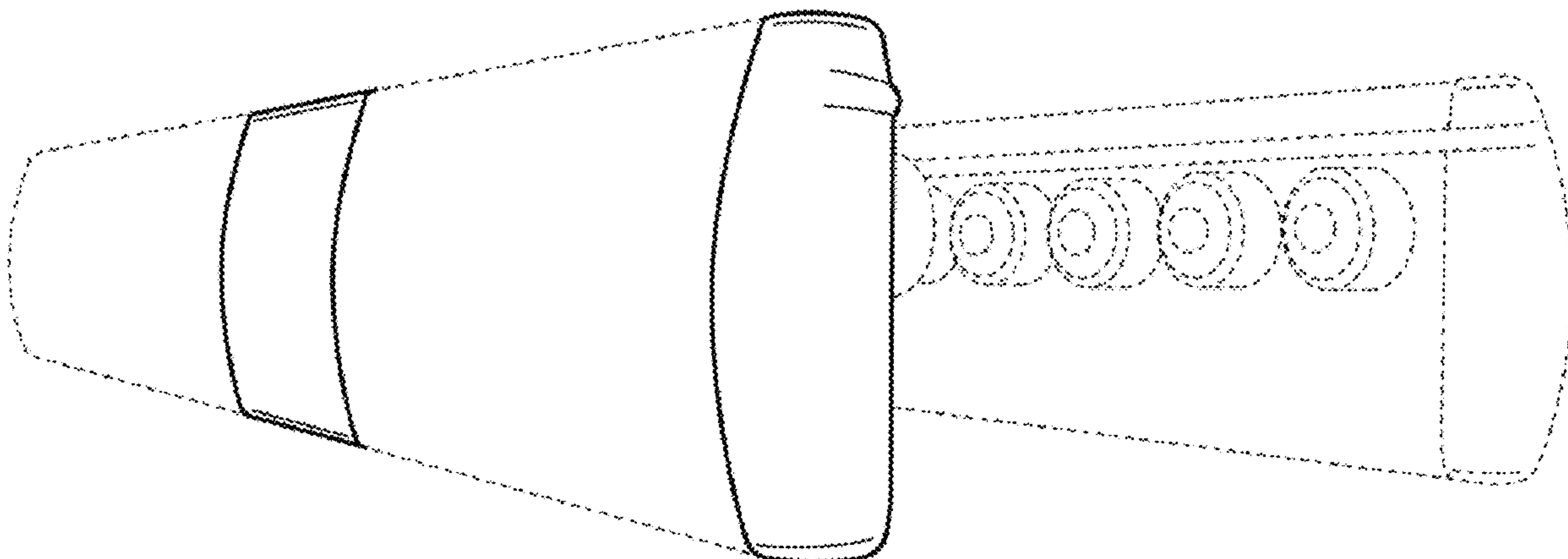
FIG. 1 is a front, left side perspective view of a conveyor showing the new design;

FIG. 2 is a front, left side, and top perspective view thereof; and,

FIG. 3 is a front elevation view thereof.

The broken lines shown in the figures are to show portions of the conveyor, which form no part of the claimed design.

**1 Claim, 2 Drawing Sheets**



(56)

References Cited

U.S. PATENT DOCUMENTS

D376,461 S 12/1996 Graf  
 5,657,854 A 8/1997 Chen et al.  
 5,746,304 A 5/1998 Hashino  
 5,921,374 A 7/1999 Takino et al.  
 D423,748 S 4/2000 Neuwirth et al.  
 6,073,747 A 6/2000 Takino et al.  
 6,105,746 A 8/2000 Faisant  
 6,142,468 A 11/2000 Gunschera et al.  
 6,179,113 B1 1/2001 Wünscher et al.  
 6,286,660 B1 9/2001 Kalm  
 6,321,523 B1 11/2001 Christmas  
 6,364,095 B1 4/2002 Layne et al.  
 D464,783 S 10/2002 Abbestam  
 6,550,609 B2 4/2003 Coen et al.  
 7,243,784 B2 7/2007 Cotter et al.  
 D549,996 S 9/2007 Guiles et al.  
 7,581,632 B2 9/2009 Wallace et al.  
 7,607,527 B2 10/2009 Yazaki et al.  
 D635,692 S 4/2011 Wirthgen  
 D655,884 S 3/2012 Spies et al.  
 D660,544 S 5/2012 Onayama  
 8,307,976 B2 11/2012 Krätz et al.  
 D673,343 S 12/2012 Thiele  
 8,622,765 B2 1/2014 Sulzer  
 D701,015 S 3/2014 Specht  
 9,221,609 B2 12/2015 Specht  
 9,499,341 B2 11/2016 Wilkins  
 9,550,625 B2 1/2017 Specht  
 9,573,769 B2 2/2017 Specht  
 D785,272 S 4/2017 Merino Casajuana  
 D798,023 S 9/2017 Hofmann et al.  
 9,878,856 B2 1/2018 Specht  
 D836,877 S 12/2018 Mason  
 D837,476 S 1/2019 Rantanen  
 D841,277 S 2/2019 Chintalapalli Patta et al.

D842,576 S 3/2019 Fritz  
 D842,577 S 3/2019 Fritz et al.  
 D878,701 S \* 3/2020 Specht ..... D34/29  
 2003/0234155 A1 12/2003 Kanamori et al.  
 2005/0040009 A1 2/2005 Ehlert  
 2006/0037833 A1 2/2006 Lawless et al.  
 2009/0266678 A1 10/2009 Horn  
 2010/0252393 A1 10/2010 Chen  
 2011/0139589 A1 6/2011 Agnoff  
 2011/0303510 A1 12/2011 Horn  
 2012/0104294 A1 5/2012 Heusser et al.  
 2015/0183583 A1 7/2015 Specht  
 2016/0083194 A1 3/2016 Specht  
 2016/0145053 A1 5/2016 Vetter et al.  
 2017/0267459 A1 9/2017 Ramezani  
 2018/0093834 A1 4/2018 Scheffer  
 2018/0111768 A1 4/2018 Pradelli et al.  
 2018/0282070 A1 10/2018 Specht  
 2018/0327195 A1 11/2018 Hosch et al.

FOREIGN PATENT DOCUMENTS

EP 0956249 B1 3/2001  
 EP 1375389 A1 1/2004  
 EP 1921027 A1 5/2008  
 EP 2456010 A1 5/2012  
 WO 2004067416 A1 8/2004  
 WO 2013182888 A1 12/2013

OTHER PUBLICATIONS

May 22, 2015, IT communication issued for related IT application No. RM20140537.  
 Sep. 21, 2015, International communication issued for related International application No. PCT/IB2015/050953.

\* cited by examiner

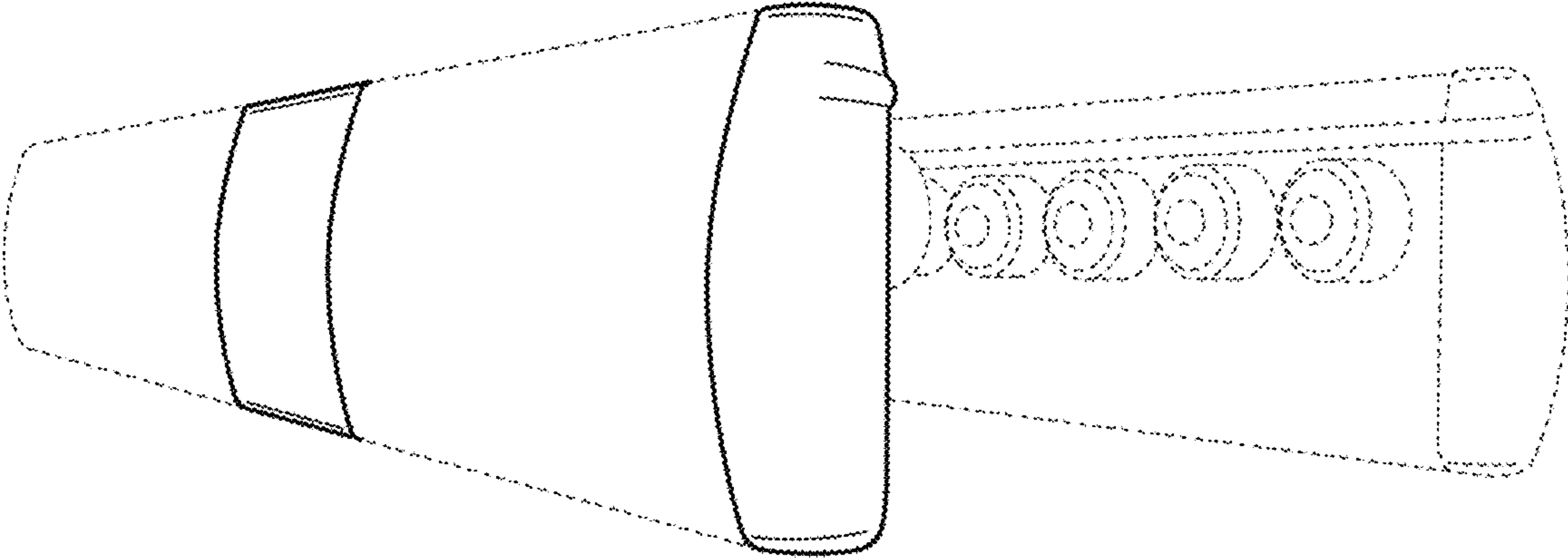


FIGURE 1

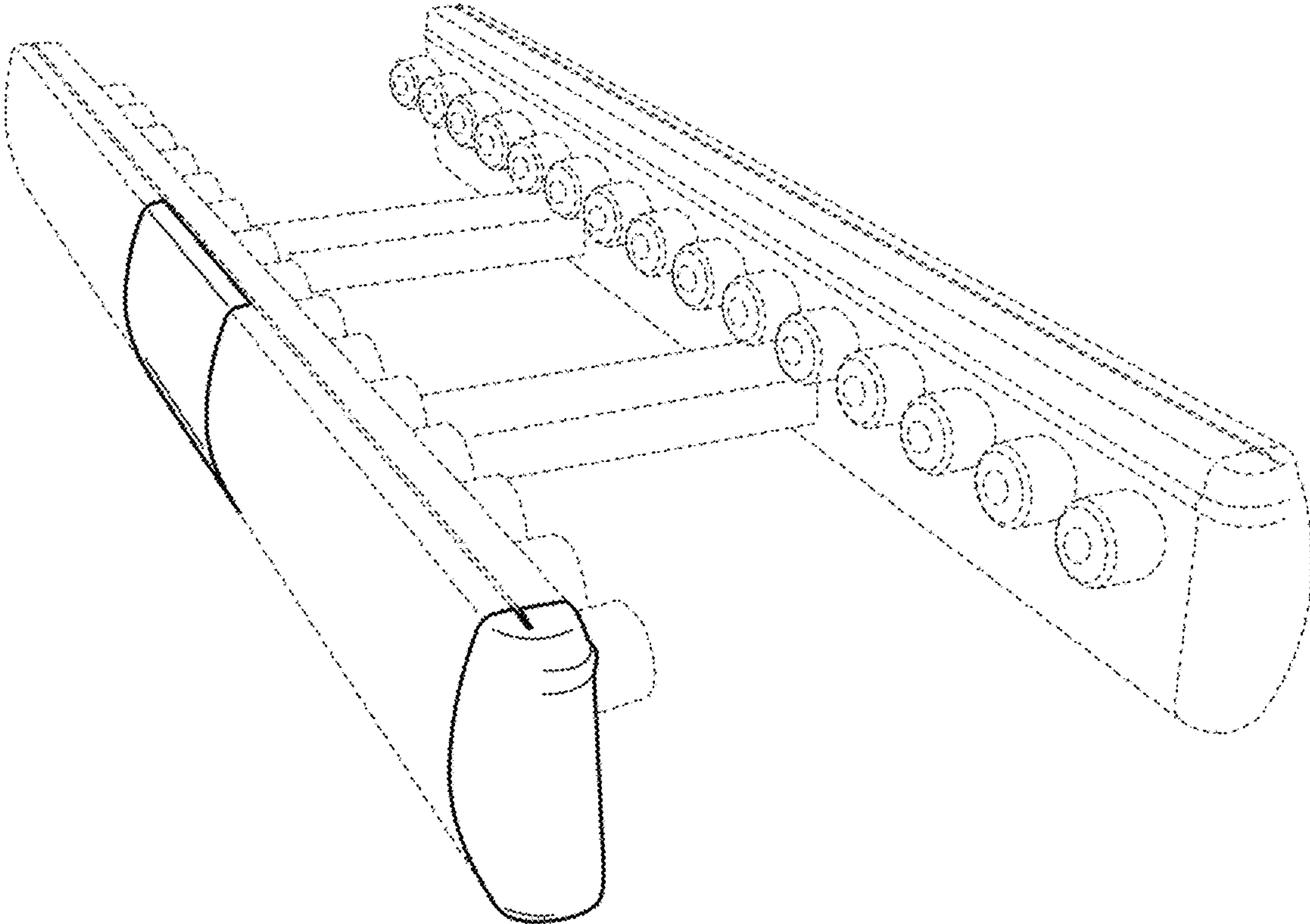


FIGURE 2

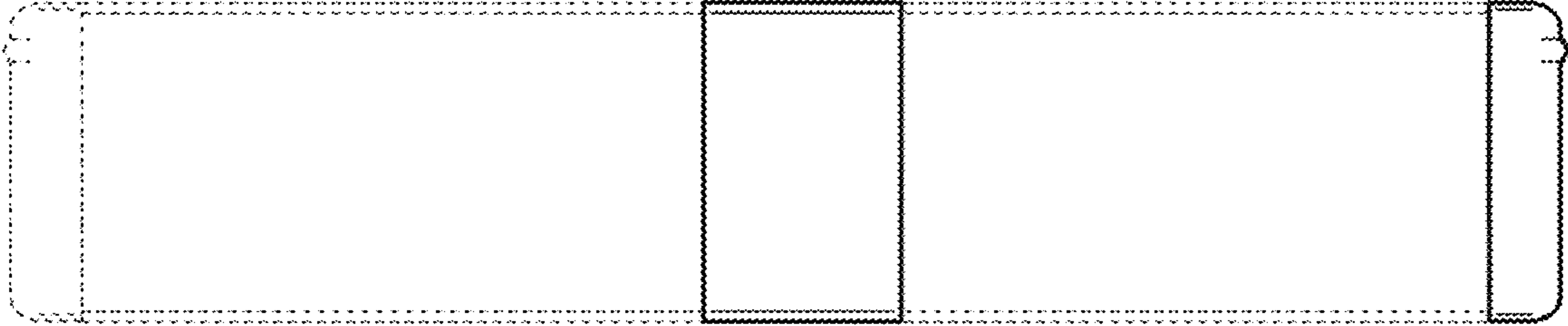


FIGURE 3