



US00D914318S

(12) **United States Design Patent**
Ebling et al.

(10) **Patent No.:** **US D914,318 S**
(45) **Date of Patent:** **** Mar. 23, 2021**

(54) **FRAME FOR A SHOPPING CART**

FOREIGN PATENT DOCUMENTS

(71) Applicant: **Retail Design Services, LLC**,
Northfield, MN (US)

DE 4436804 A1 4/1995
EP 0672569 A1 9/1995

(Continued)

(72) Inventors: **John Robert Ebling**, Northfield, MN
(US); **Gary Robert Ebling**, Northfield,
MN (US)

OTHER PUBLICATIONS

Michael Daehn, "The Importance of Shopping Carts," obtained
from <http://marketingingenious.terapad.com>, published Dec. 10, 2008,
printed Jul. 1, 2011, 7 pages.

(Continued)

(73) Assignee: **Retail Design Services, LLC**,
Northfield, MN (US)

(**) Term: **15 Years**

Primary Examiner — George A Bugg
Assistant Examiner — Tamara L Hahn

(21) Appl. No.: **29/699,442**

(74) *Attorney, Agent, or Firm* — James L. Young;
Westman, Champlin & Koehler, P.A.

(22) Filed: **Jul. 25, 2019**

(51) **LOC (13) Cl.** **12-02**

(52) **U.S. Cl.**
USPC **D34/21**

(58) **Field of Classification Search**
USPC ... D34/1, 12, 13, 14, 17, 19, 20, 21, 22, 23;
D6/675, 675.2, 675.5

CPC .. B62B 3/00; B62B 3/02; B62B 3/027; B62B
3/1444; B62B 3/1496; B62B 3/16; B62B
3/184; B62B 3/14; B62B 3/182; B62B
3/1476; B62B 3/1468; B62B 5/00; B62B
5/06; B62B 5/064; B62B 5/067

See application file for complete search history.

(57) **CLAIM**

The ornamental design for a frame for a shopping cart, as
shown and described.

DESCRIPTION

FIG. 1 is an isometric view of a frame for a shopping cart;
FIG. 2 is a side view thereof;
FIG. 3 is an isometric view thereof;
FIG. 4 is a front view thereof;
FIG. 5 is a rear view thereof;
FIG. 6 is a side view thereof as taken from the left side of
FIG. 4;
FIG. 7 is a side view thereof as taken from the right side of
FIG. 4;
FIG. 8 is a top view thereof; and,
FIG. 9 is a bottom view thereof.

The baskets shown in broken line in FIGS. 1 and 2 depict
environment that form no part of the claimed design. All
other broken lines in the figures are to show portions of the
frame for a shopping cart which form no part of the claimed
design.

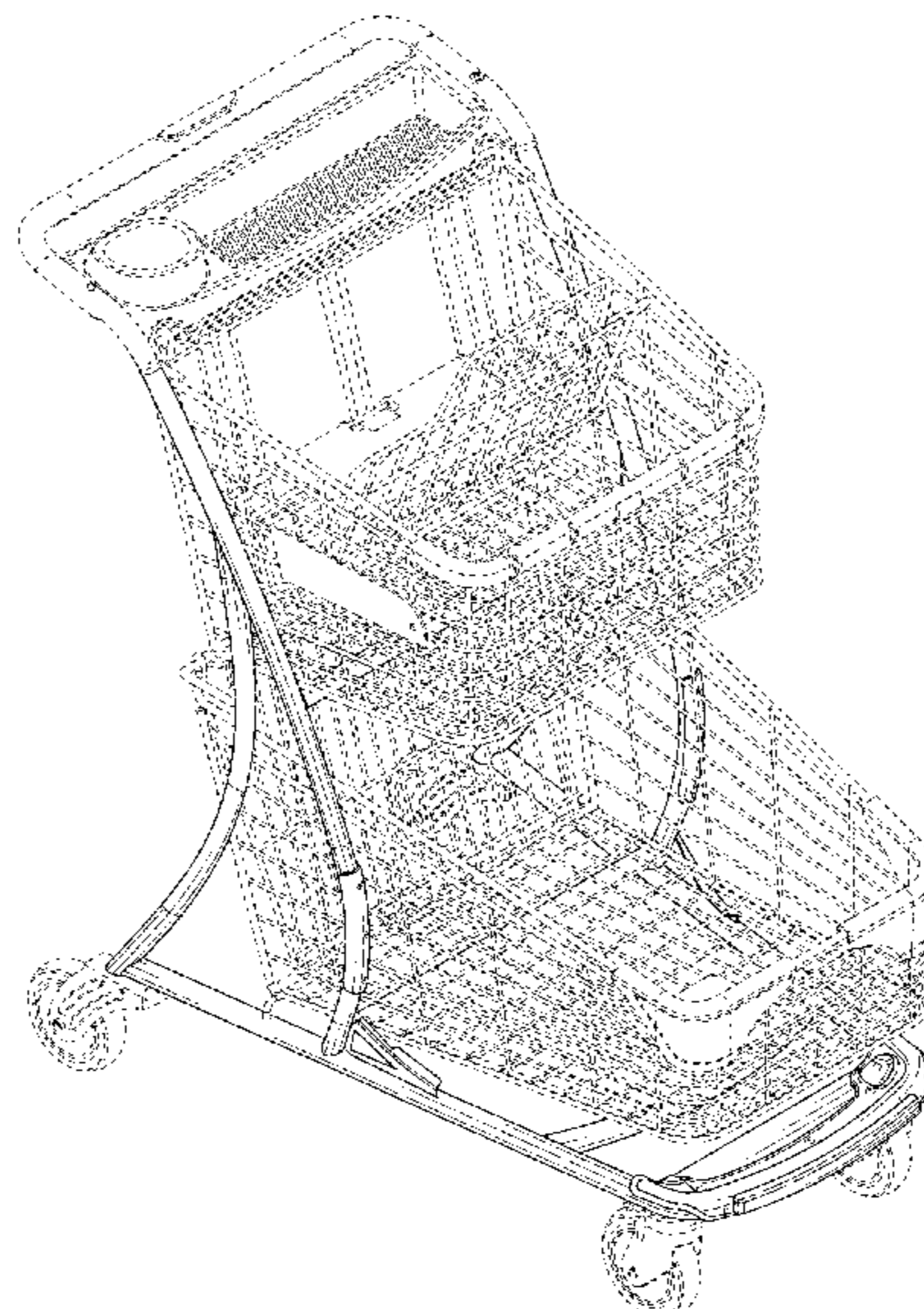
(56) **References Cited**

U.S. PATENT DOCUMENTS

175,004 A 3/1876 Arnold
1,563,152 A 11/1925 Bowen
2,133,834 A 10/1938 Sheldon
2,196,914 A 4/1940 Goldman
2,212,053 A 8/1940 Smith
2,429,034 A 10/1947 Smith
D148,128 S 12/1947 Brotzman
2,443,236 A 6/1948 Gallagher

(Continued)

1 Claim, 9 Drawing Sheets



(56)

References Cited

U.S. PATENT DOCUMENTS

2,450,062 A	9/1948	Grace et al.	5,595,394 A	1/1997	Adamson	
2,479,530 A	8/1949	Watson	5,649,718 A	7/1997	Groglio	
D157,586 S	3/1950	Grumbache	D386,873 S	11/1997	Langlois D'Estaintot et al.	
2,615,726 A	10/1952	Brottman	5,715,571 A	2/1998	Fasano	
2,683,483 A	7/1954	Shepherdson	5,722,594 A	3/1998	Farr et al.	
2,689,133 A	9/1954	Goldman	5,820,142 A	10/1998	Duer	
D175,004 S	6/1955	Alley et al.	D400,679 S	11/1998	Kern et al.	
2,769,482 A	11/1956	Carlson	5,887,888 A	3/1999	Tseng	
2,813,725 A	11/1957	Hoedinghaus et al.	5,938,091 A	8/1999	Bergin et al.	
2,837,344 A	6/1958	Young	5,947,313 A	9/1999	Kern et al.	
2,890,057 A	6/1959	Davis	5,961,018 A	10/1999	Abelbeck et al.	
2,901,262 A	8/1959	Berlin	5,961,133 A	10/1999	Perry	
3,019,953 A	2/1962	Umanoff	5,988,670 A	11/1999	Song et al.	
3,039,564 A	6/1962	Shaukis	D417,763 S	12/1999	Monem	
3,048,420 A	8/1962	Martin	6,003,894 A	12/1999	Maher	
D196,836 S	11/1963	Berger	6,086,087 A	7/2000	Yang	
3,272,528 A	9/1966	Young et al.	6,098,998 A	8/2000	Ondrasik	
3,309,100 A	3/1967	Barbuti	6,099,022 A	8/2000	Pring	
3,337,227 A	8/1967	Castaldo	6,126,181 A	10/2000	Ondrasik	
3,497,234 A	2/1970	Schray	D444,281 S	6/2001	Gaze et al.	
3,612,603 A	10/1971	Snyder et al.	D444,927 S	7/2001	Lin	
3,726,536 A	4/1973	Arino	D445,230 S	7/2001	Deal et al.	
3,774,929 A	11/1973	Stanley	D449,913 S	10/2001	Walter	
3,885,806 A	3/1975	Trubiano	D455,243 S	4/2002	Walter	
D240,297 S	6/1976	Trubiano	6,406,014 B1	6/2002	Reist	
3,998,490 A	12/1976	Lallave	D462,496 S	9/2002	Koppes et al.	
4,034,539 A	7/1977	Economy	D465,632 S	11/2002	Koppes et al.	
D263,456 S	3/1982	Muellner	D468,880 S	1/2003	Porter	
4,403,807 A	9/1983	Wilkinson et al.	D470,442 S	2/2003	Koppes et al.	
4,487,134 A	12/1984	Foote	6,523,840 B1	2/2003	Koppes et al.	
4,496,058 A	1/1985	Harris et al.	D472,026 S	3/2003	Walter	
4,555,123 A	11/1985	Rehrig	D472,027 S	3/2003	Walter	
4,560,096 A	12/1985	Lucas et al.	D473,691 S	4/2003	Kolada et al.	
D282,499 S	2/1986	Alstrom	D478,198 S	8/2003	Koppes et al.	
4,583,758 A	4/1986	Runion et al.	6,644,674 B2	11/2003	Simard	
4,598,945 A	7/1986	Hopkins	6,679,506 B2	1/2004	Koppes et al.	
4,643,280 A	2/1987	Hensley	D502,793 S	3/2005	Porter	
4,679,818 A	7/1987	Kakavas	6,932,363 B2	8/2005	D'Angelo	
4,685,688 A	8/1987	Edwards	D525,758 S	7/2006	Lynch	
4,763,919 A	8/1988	Nakao et al.	D526,106 S	8/2006	Tucker et al.	
4,765,644 A	8/1988	Bell	D526,107 S *	8/2006	Duchene D34/27	
4,826,186 A	5/1989	Hagelin	D528,732 S	9/2006	Hubbard et al.	
4,861,105 A	8/1989	Merten et al.	7,168,711 B2	1/2007	Ondrasik	
4,877,289 A	10/1989	Herrera	D536,502 S	2/2007	Weigand et al.	
4,922,639 A	5/1990	Rehrig	D538,501 S *	3/2007	Walter D34/21	
4,923,208 A	5/1990	Takahashi et al.	D540,998 S	4/2007	Splain et al.	
4,958,887 A	9/1990	Meeker	D546,018 S	7/2007	Goodell	
4,984,813 A	1/1991	Takahashi et al.	D548,421 S	8/2007	Walter	
D316,238 S	4/1991	Giambrone	D548,919 S	8/2007	Dietzel et al.	
5,018,754 A	5/1991	Cheng	D550,423 S	9/2007	Splain et al.	
D318,550 S	7/1991	Stefano	7,300,062 B2	11/2007	Otterlee et al.	
D319,906 S	9/1991	Takahashi et al.	D566,372 S	4/2008	Walter	
5,125,674 A	6/1992	Manuszak	7,407,169 B2	8/2008	Splain et al.	
D329,835 S	9/1992	Scheinrock	D576,372 S	9/2008	Walter	
5,203,578 A	4/1993	Davidson et al.	D577,172 S	9/2008	Coderre	
5,238,293 A	8/1993	Gibson	D580,617 S	11/2008	Walter	
5,263,726 A	11/1993	Wood	D580,619 S *	11/2008	Walter D34/21	
5,277,473 A	1/1994	Kelly et al.	D583,123 S	12/2008	Cassin, III	
5,290,049 A	3/1994	Crisp et al.	D583,523 S	12/2008	Deal et al.	
5,331,756 A	7/1994	Rehrig	D584,023 S	12/2008	Walter	
5,354,079 A	10/1994	Hettenbach	7,494,135 B2	2/2009	Ash et al.	
D357,440 S	4/1995	Pietra	D588,775 S	3/2009	Peota et al.	
5,417,446 A	5/1995	Pileggi	D591,474 S	4/2009	Peota et al.	
D360,392 S	7/1995	Lewandowski	D592,201 S	5/2009	Shi	
5,435,582 A	7/1995	Davidson	D595,918 S	7/2009	Walter	
D363,589 S	10/1995	LaFleur et al.	D606,722 S	12/2009	Walter	
D364,020 S	11/1995	Wang	D606,723 S *	12/2009	Walter D34/20	
D366,546 S	1/1996	Schaub et al.	D607,173 S	12/2009	Selvig et al.	
5,494,308 A	2/1996	Southerland	7,681,891 B2	3/2010	Deal et al.	
5,507,507 A	4/1996	Davidson	D615,723 S	5/2010	Walter	
5,531,238 A	7/1996	Azzarelli et al.	D622,507 S	8/2010	Walter	
5,544,904 A	8/1996	Maher	D628,759 S	12/2010	Walter	
5,553,876 A	9/1996	Trubiano	D633,269 S *	2/2011	Walter D34/21	
5,553,877 A	9/1996	Huang	D636,963 S	4/2011	Walter	
D377,255 S	1/1997	Rehrig	D638,602 S *	5/2011	Walter D34/21	
			D639,521 S *	6/2011	Walter D34/21	
			7,959,166 B2	6/2011	Splain et al.	
			D643,175 S	8/2011	Peota et al.	
			D644,393 S *	8/2011	Walter D34/21	

(56)

References Cited

U.S. PATENT DOCUMENTS

D644,809 S * 9/2011 Walter D34/21
 D645,222 S * 9/2011 Walter D34/21
 D645,631 S * 9/2011 Walter D34/21
 D648,914 S 11/2011 Walter
 D648,915 S * 11/2011 Walter D34/21
 D649,730 S 11/2011 Walter
 D649,732 S 11/2011 Muscara
 D651,655 S 1/2012 Walter
 D653,450 S 2/2012 Walter
 D656,288 S 3/2012 Walter
 D656,700 S 3/2012 Walter
 D658,841 S 5/2012 Walter
 D660,542 S 5/2012 Walter
 D663,091 S 7/2012 Walter
 D665,552 S 8/2012 Walter
 D665,962 S 8/2012 Walter
 D667,603 S 9/2012 Walter
 8,256,777 B2 9/2012 Deal et al.
 8,313,114 B1 11/2012 Aron
 D672,111 S 12/2012 Walter
 D672,932 S 12/2012 Fredendall et al.
 D672,933 S 12/2012 Fredendall et al.
 D677,033 S * 2/2013 Walter D34/21
 D680,704 S 4/2013 Walter
 D681,900 S 5/2013 Fredendall et al.
 D681,901 S 5/2013 Fredendall et al.
 D684,744 S * 6/2013 Walter D34/27
 D685,561 S 7/2013 Fredendall et al.
 D685,972 S * 7/2013 Walter D34/21
 D693,742 S 11/2013 Walter
 D693,981 S 11/2013 Walter
 8,657,304 B1 2/2014 Fredendall et al.
 D700,762 S 3/2014 Walter
 D707,009 S 6/2014 Walter
 D714,011 S * 9/2014 Fredendall D34/27
 D714,012 S 9/2014 Fredendall et al.
 8,991,836 B2 3/2015 Walter et al.
 D728,889 S * 5/2015 Morin D34/27
 D733,388 S * 6/2015 Stauff D34/27
 D742,088 S 10/2015 Walter
 D742,612 S 11/2015 Walter
 RE45,915 E 3/2016 Walter
 D751,264 S 3/2016 Walter
 RE45,961 E * 4/2016 Walter D34/27
 D756,586 S 5/2016 Magnusson
 D763,536 S 8/2016 Walter et al.
 D770,717 S 11/2016 Fredendall et al.
 D770,718 S 11/2016 Fredendall et al.
 RE46,268 E * 1/2017 Walter D34/21
 RE46,281 E 1/2017 Walter et al.
 D785,271 S * 4/2017 Walter D34/21
 D789,642 S * 6/2017 McMurtrey D34/27
 D793,644 S 8/2017 Walter et al.
 D796,146 S 8/2017 Walter et al.
 D798,018 S 9/2017 Walter et al.
 D798,019 S 9/2017 Walter et al.
 D805,711 S * 12/2017 Magnusson D34/21
 D806,341 S 12/2017 Magnusson
 D806,976 S 1/2018 Peota et al.
 D810,378 S 2/2018 Walter et al.
 D813,486 S * 3/2018 Stauff D34/21
 D818,237 S 5/2018 Walter et al.

D822,304 S * 7/2018 Walter D34/21
 D822,305 S 7/2018 Fredendall et al.
 D830,660 S 10/2018 Jensen et al.
 D830,661 S 10/2018 Jensen et al.
 D839,525 S * 1/2019 Magnusson D34/21
 D840,127 S 2/2019 Walter et al.
 D874,778 S * 2/2020 Stauff D34/21
 D878,000 S * 3/2020 Walter D34/27
 2001/0022436 A1 9/2001 Simard
 2001/0035618 A1 11/2001 DeCost
 2002/0074753 A1 6/2002 Thalhoffer et al.
 2002/0135144 A1 * 9/2002 Murar B62B 3/1404
 280/33.991
 2002/0185834 A1 12/2002 Stockle et al.
 2003/0042694 A1 3/2003 Werner
 2003/0151219 A1 8/2003 Simard
 2005/0012286 A1 1/2005 Woodrow
 2005/0067801 A1 3/2005 Copland
 2007/0210541 A1 9/2007 Johnson
 2008/0149649 A1 6/2008 Knupfer et al.
 2008/0211200 A1 9/2008 Eberlein
 2009/0315300 A1 12/2009 Stiba
 2014/0238992 A1 8/2014 Stauff et al.
 2015/0353114 A1 * 12/2015 Morin B62B 5/0006
 280/33.992
 2020/0180672 A1 * 6/2020 Joaquin B62B 3/1472
 2020/0223466 A1 * 7/2020 Sherman B62B 3/02

FOREIGN PATENT DOCUMENTS

EP 1752357 A2 2/2007
 GB 2316368 A 2/1998
 JP 2001122125 A 5/2001
 JP 2007290474 A 11/2007
 WO 2005102812 A1 11/2005

OTHER PUBLICATIONS

Sears shopping cart, obtained from www.prioritydesigns.com, copyright 2007-2011, printed Oct. 13, 2011, 7 pages.
 EXpress6000—Retail Metal Shopping Cart, obtained from www.versacart.com/express6000.php, copyright 2008, printed Nov. 8, 2011, 1 page.
 Claire Erickson, “My Latest Project,” published at www.ericksoncl.wordpress.com/2010/05/14/my-latest-project/, posted May 14, 2010, printed Nov. 8, 2011, 1 page.
 Sunrise Trolley Manufacturers, Products, obtained from www.indiamart.com/sunrise-trolley-mfg/products.html, printed Nov. 10, 2011, 9 pages.
 Paul Rako, “Build a goofy shopping cart, and the media will beat a path to your door,” published at www.rako.com/Diamond/28.html, dated May 21, 2011, printed Nov. 10, 2011, 4 pages.
 “IDEO Shopping Trolley,” The Retail Experience Project, published at <http://retailsingapore.wordpress.com/2011/10/16/ideo-shopping-trolley/>, post Oct. 16, 2011, print May 25, 2012, 2 pages.
 “IDEO Shopping Trolley,” Design Against Crime, pp. 24-28 and 1 photo page, published at <http://extra.shu.ac.uk/dac/ideo.pdf>, obtained Nov. 2011.
 “Standard Consumer Safety Performance Specification for Shopping Carts,” ASTM International, W. Conshohocken, PA, US; Designation: F 2372-04, Jul. 2004, 13 pages.

* cited by examiner

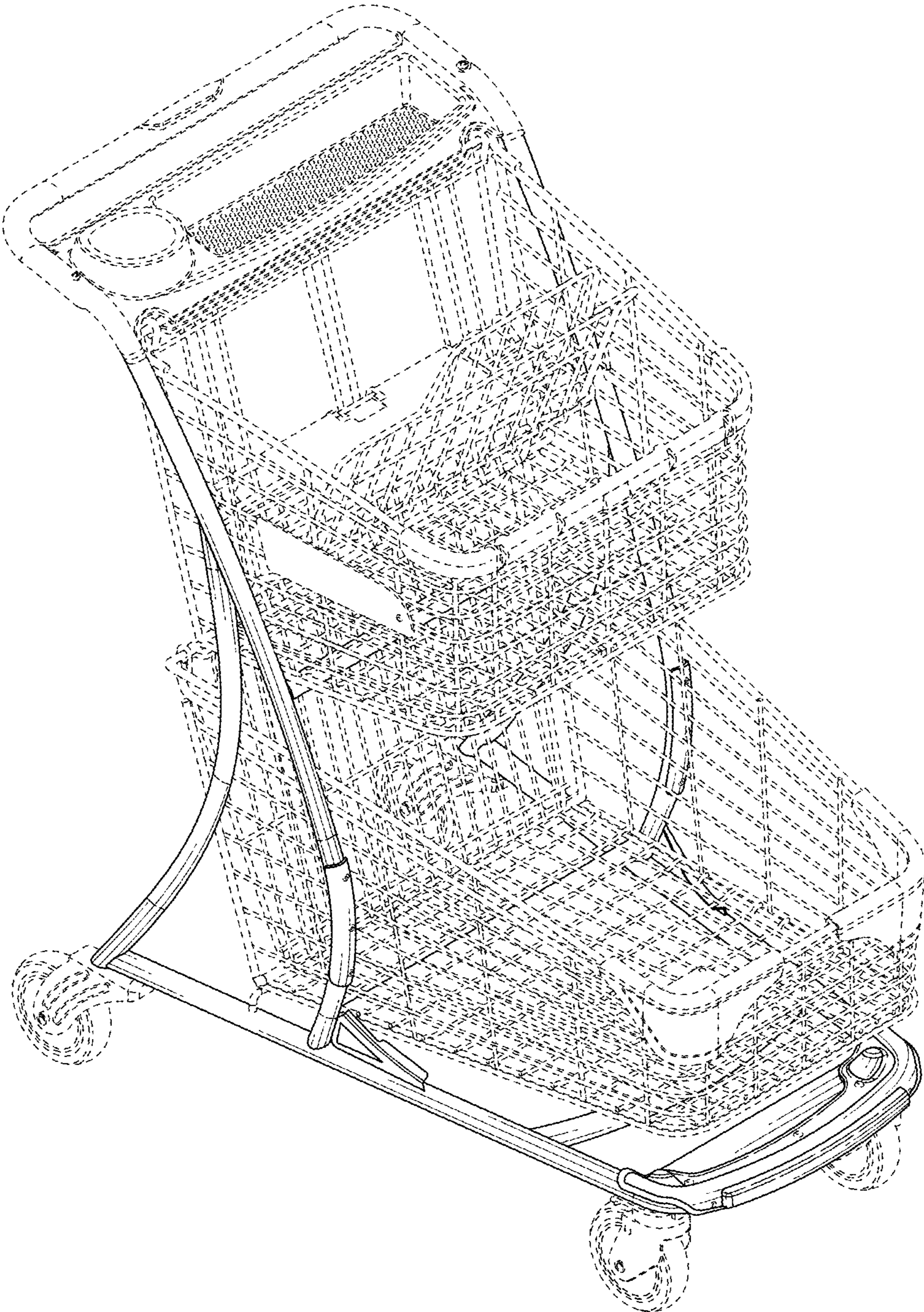


FIG. 1

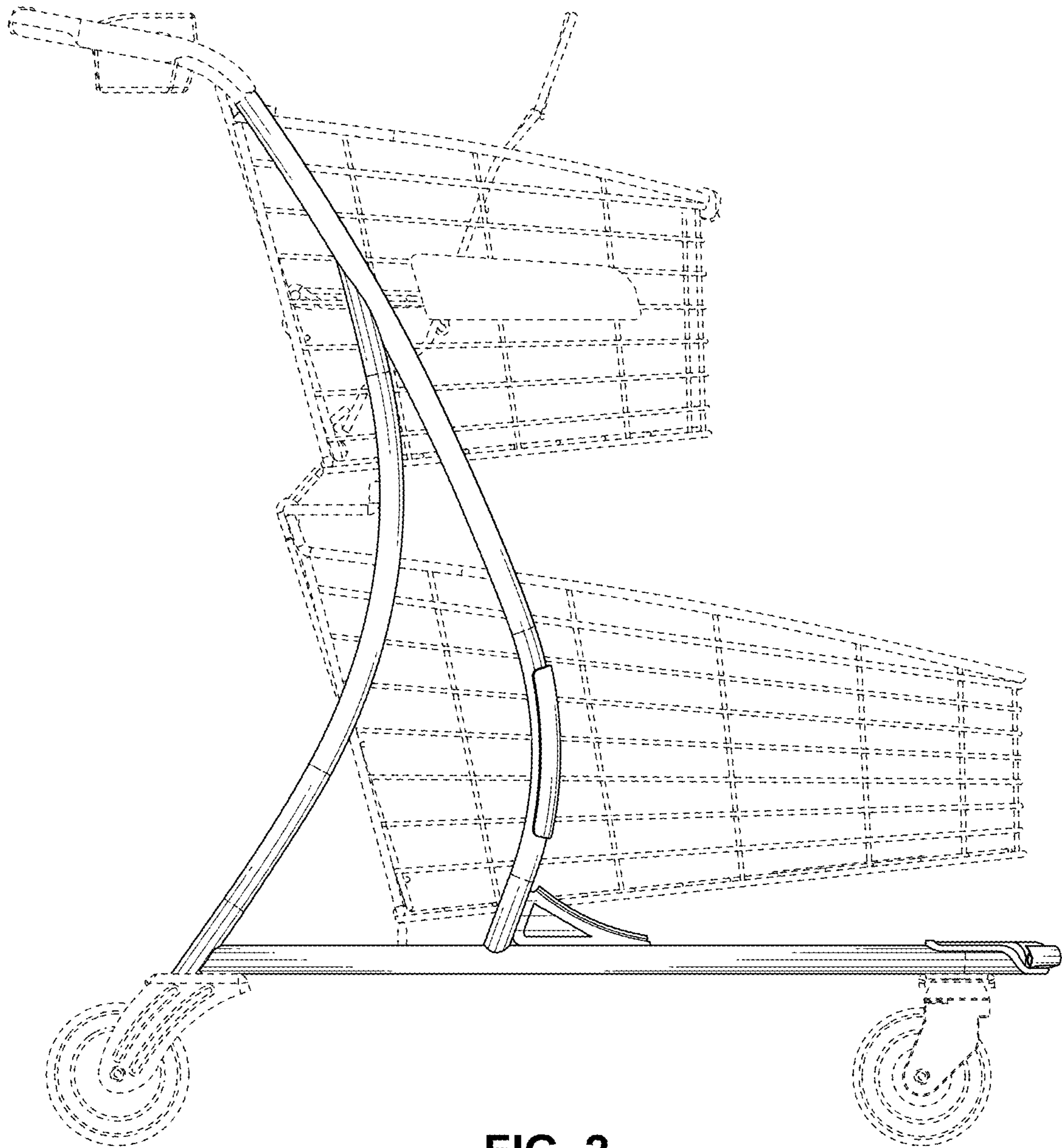


FIG. 2

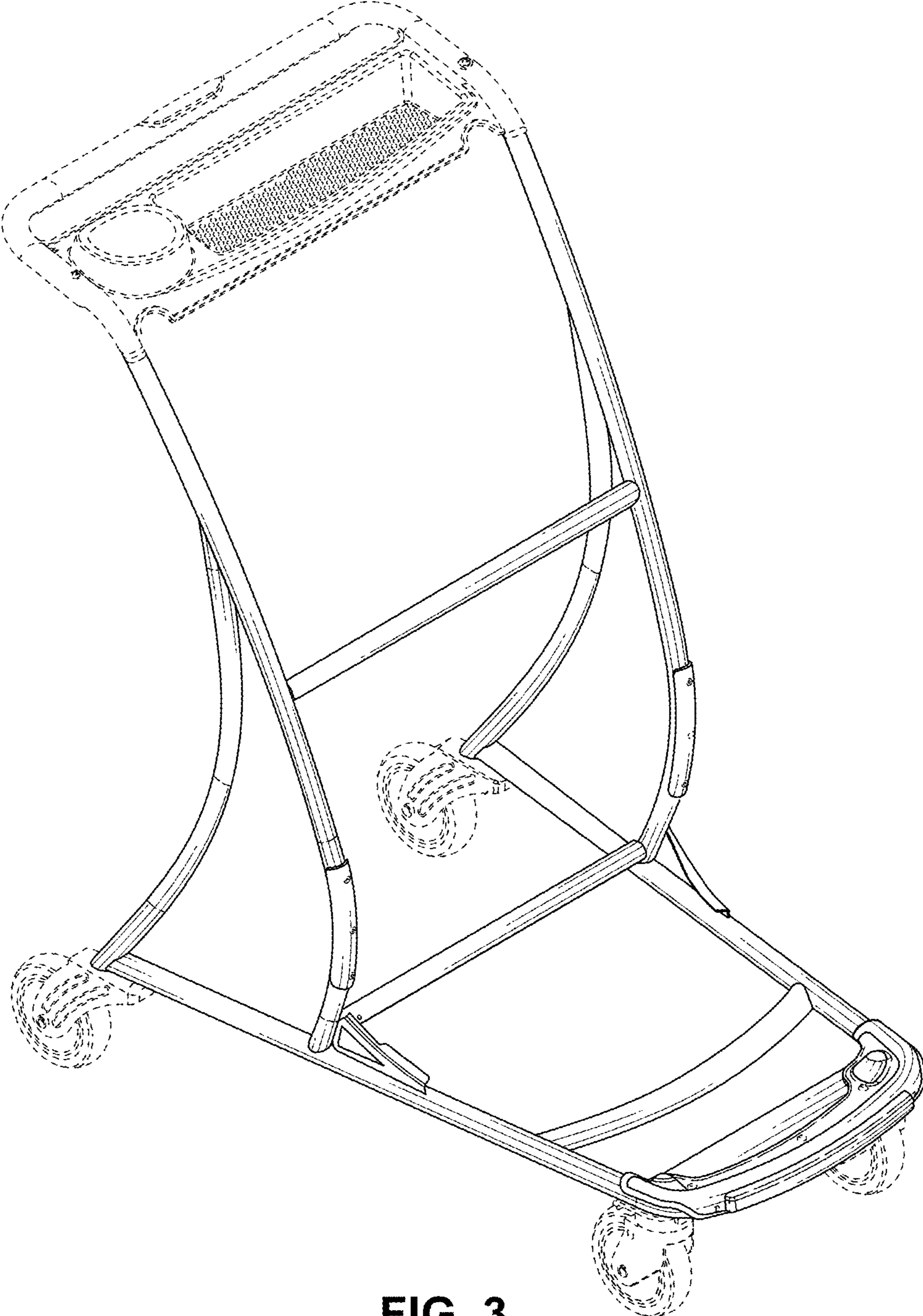


FIG. 3

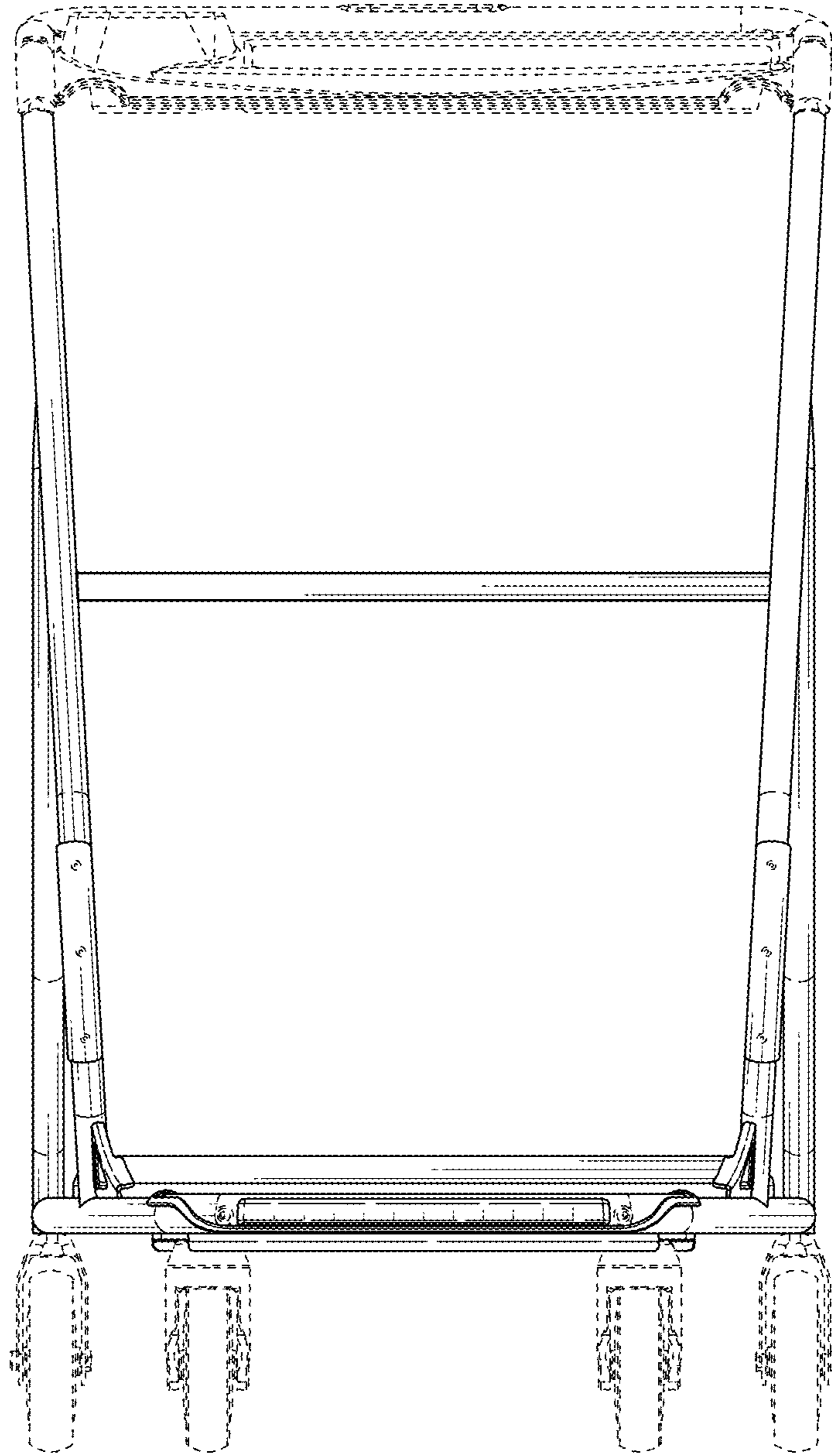


FIG. 4

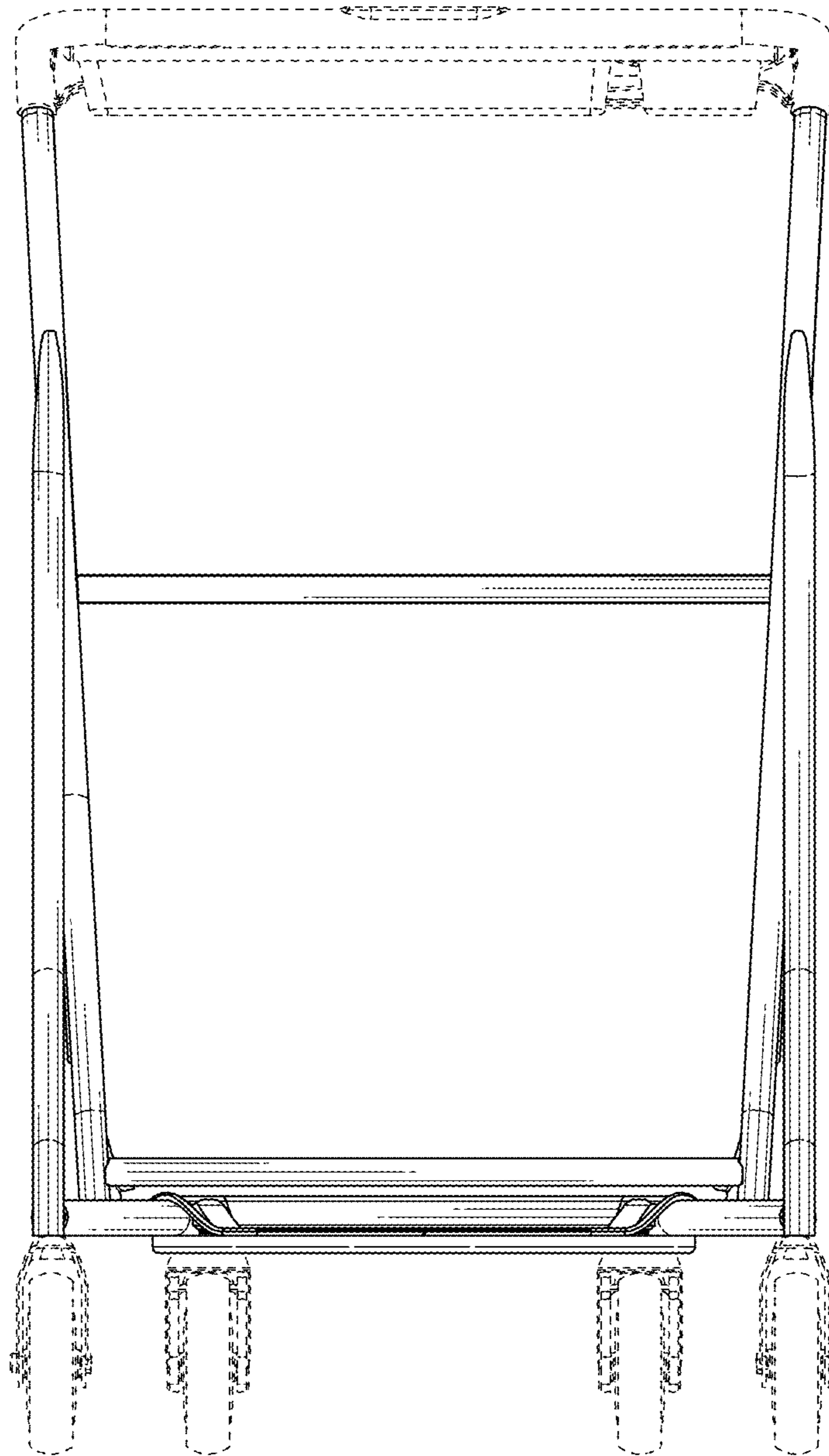


FIG. 5

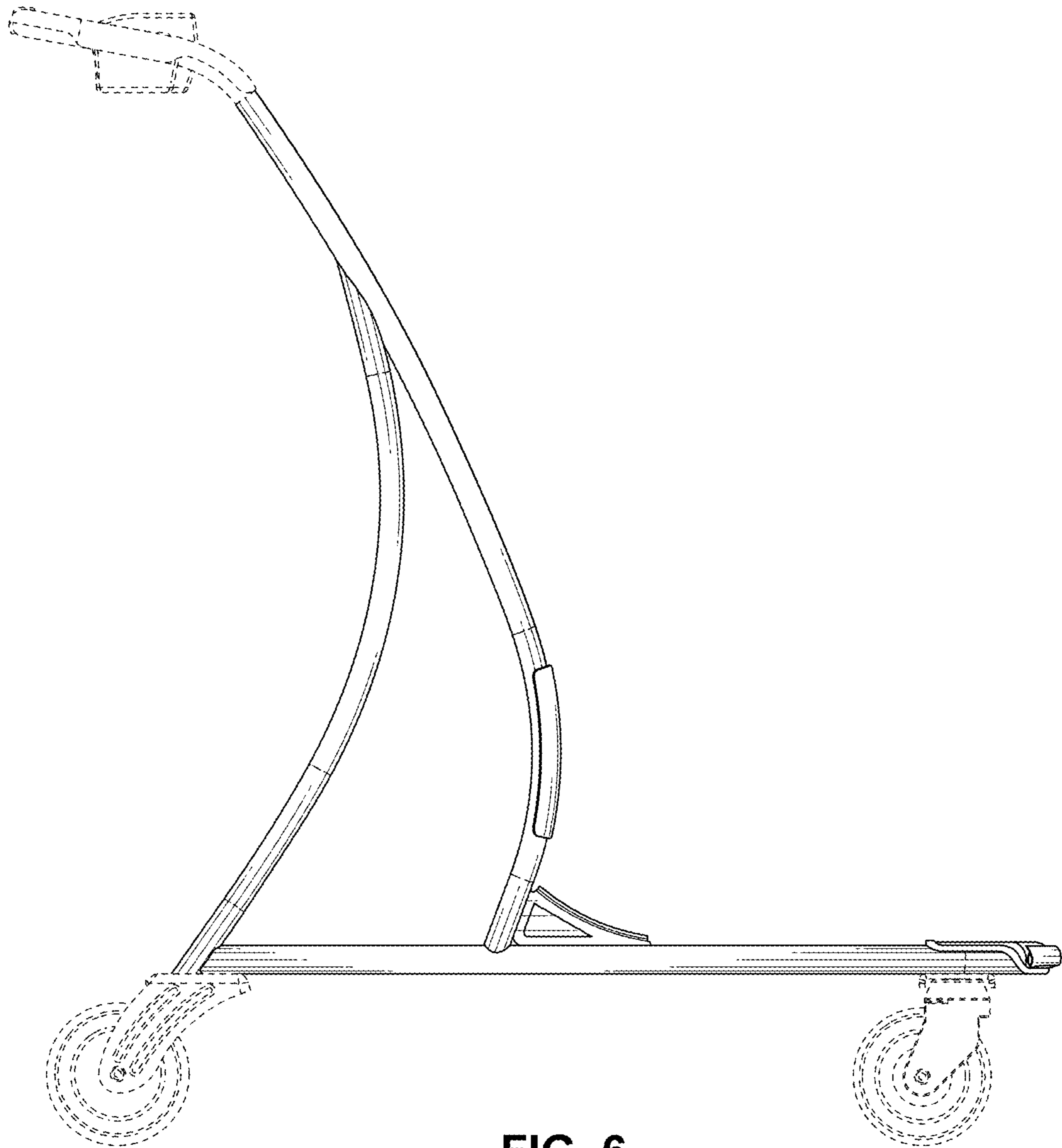


FIG. 6

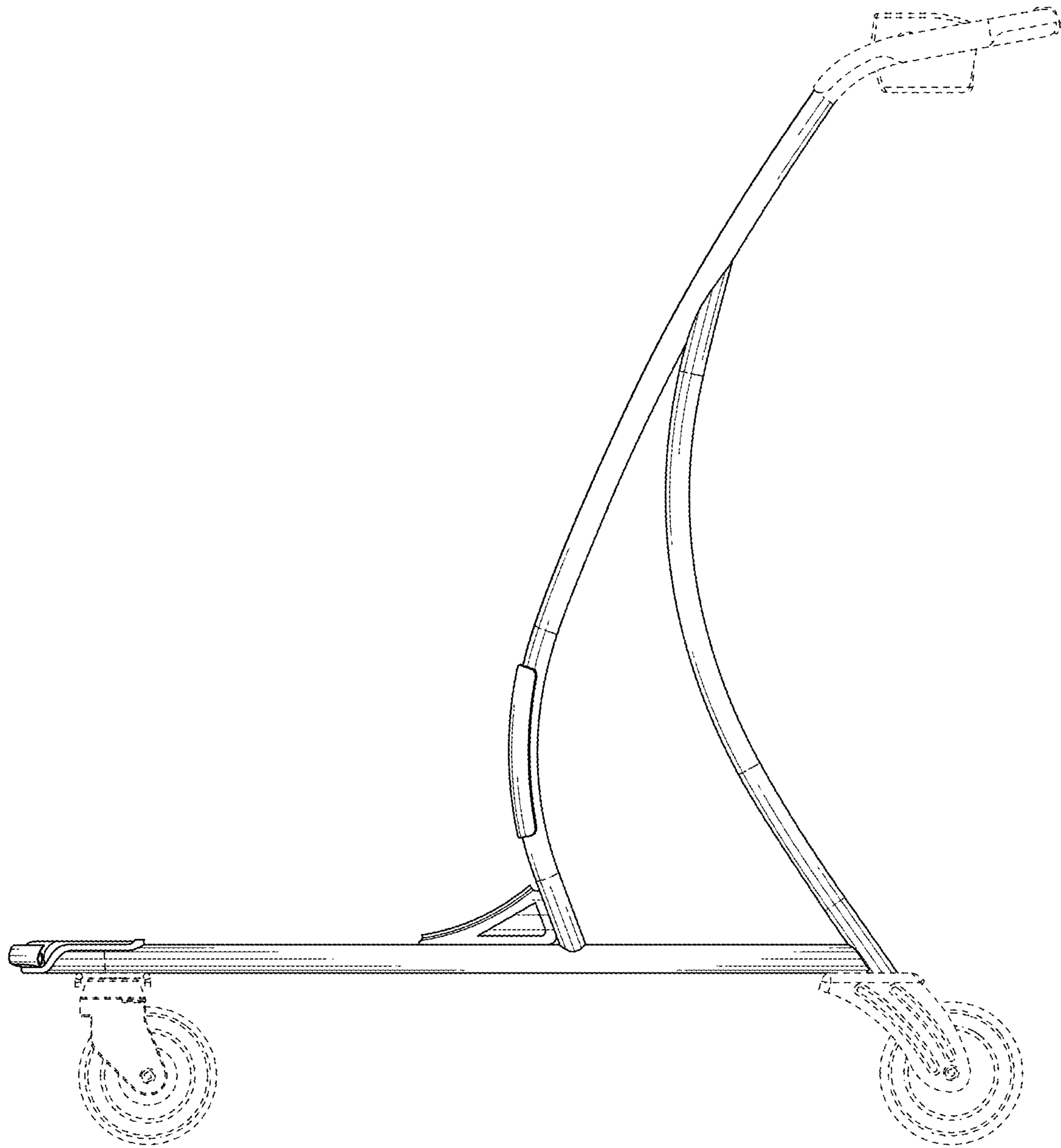


FIG. 7

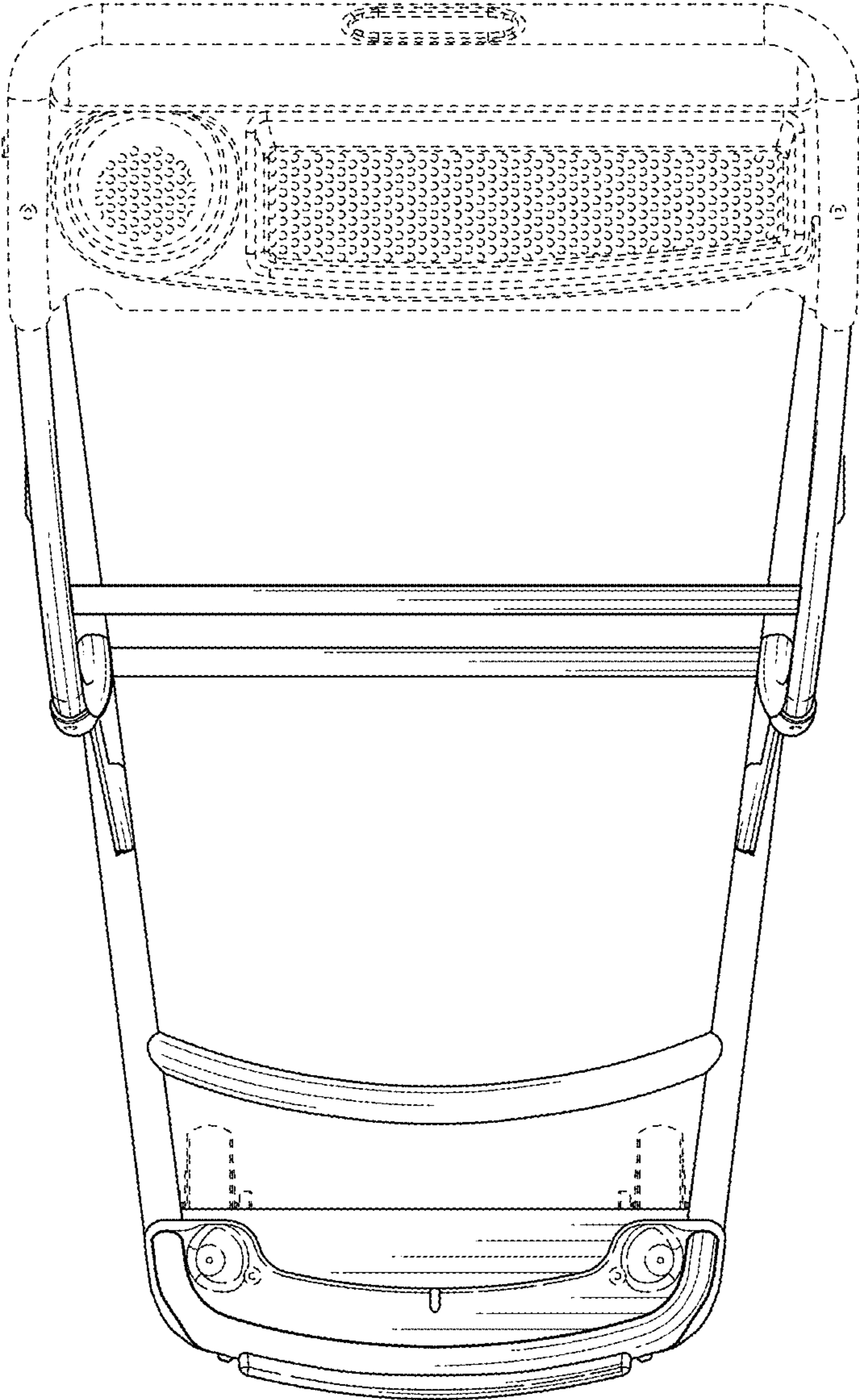


FIG. 8

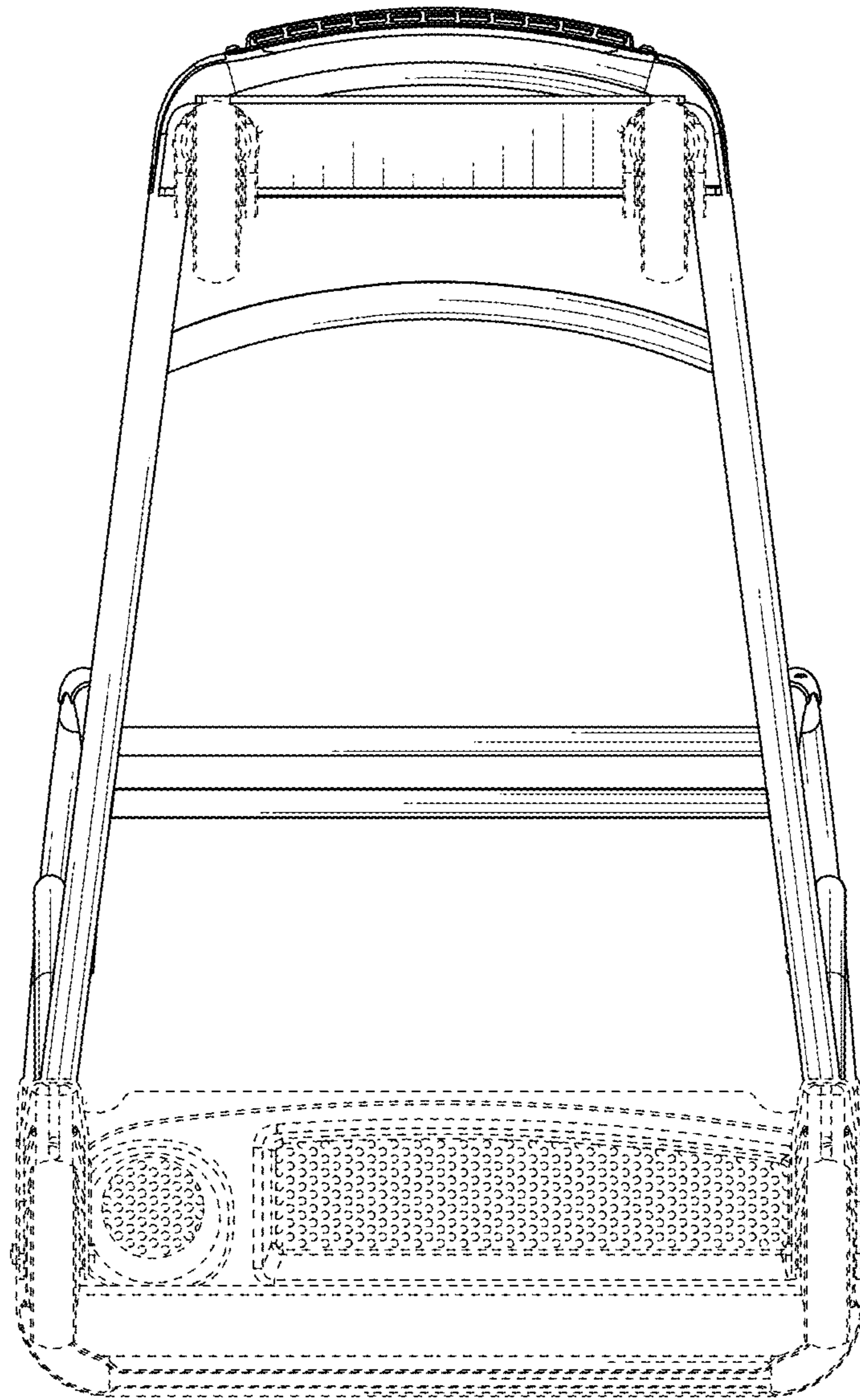


FIG. 9