



US00D914315S

(12) **United States Design Patent**  
**Webster**

(10) **Patent No.:** **US D914,315 S**  
(45) **Date of Patent:** **\*\* Mar. 23, 2021**

(54) **WASTE CONTAINER**

**DESCRIPTION**

(71) Applicant: **Kristin Webster**, Lanesboro, MA (US)

(72) Inventor: **Kristin Webster**, Lanesboro, MA (US)

(\*\*) Term: **15 Years**

(21) Appl. No.: **29/686,276**

(22) Filed: **Apr. 3, 2019**

(51) **LOC (13) Cl.** ..... **23-99**

(52) **U.S. Cl.**  
USPC ..... **D34/1**

(58) **Field of Classification Search**

USPC ..... **D34/1-11**

CPC .... **B65F 2001/1489; B65F 1/00; B65F 1/163;**

**B65F 1/1638; B65F 1/0033; B65F 1/16;**

**Y10S 220/908**

See application file for complete search history.

(56) **References Cited**

**U.S. PATENT DOCUMENTS**

D463,085 S \* 9/2002 Sofy ..... D34/7

D677,445 S \* 3/2013 Lukic ..... B65F 1/1415

D34/7

D684,741 S \* 6/2013 Harris ..... D34/1

(Continued)

**OTHER PUBLICATIONS**

Rubbermaid Saddle Trash, announced 2020 [online], [site visited Nov. 14, 2020]. Available from internet, URL:<https://www.grainger.com/product/5RUU8> (Year: 2020).\*

*Primary Examiner* — George A Bugg

*Assistant Examiner* — Tamara L Hahn

(74) *Attorney, Agent, or Firm* — Alan F. Feeney; Feeney IP Law

(57) **CLAIM**

I claim the ornamental design for a waste container, as shown and described.

FIG. 1 is an upper right rear perspective view of the waste container showing my new design, with the lid in an open position;

FIG. 2 is a lower left front perspective view of the waste container with the lid in the open position;

FIG. 3 is a front elevational view of the waste container with the lid in the open position;

FIG. 4 is a right side elevational view of the waste container with the lid in the open position, the left is a mirror image thereof;

FIG. 5 is a rear elevational view of the waste container with the lid in the open position;

FIG. 6 is a sectional view of the waste container with the lid in an open position, taken along line 6-6 in FIG. 7;

FIG. 7 is a top plan view of the waste container with the lid in the open position;

FIG. 8 is a bottom plan view of the waste container with the lid in the open position;

FIG. 9 is an upper right rear perspective view of the waste container with the lid in the closed position;

FIG. 10 is a lower left front perspective view of the waste container with the lid in the closed position;

FIG. 11 is a front elevational view of the waste container with the lid in the closed position;

FIG. 12 is a right side elevational view of the waste container with the lid in the closed position, the left is a mirror image thereof;

FIG. 13 is a rear elevational view of the waste container with the lid in the closed position;

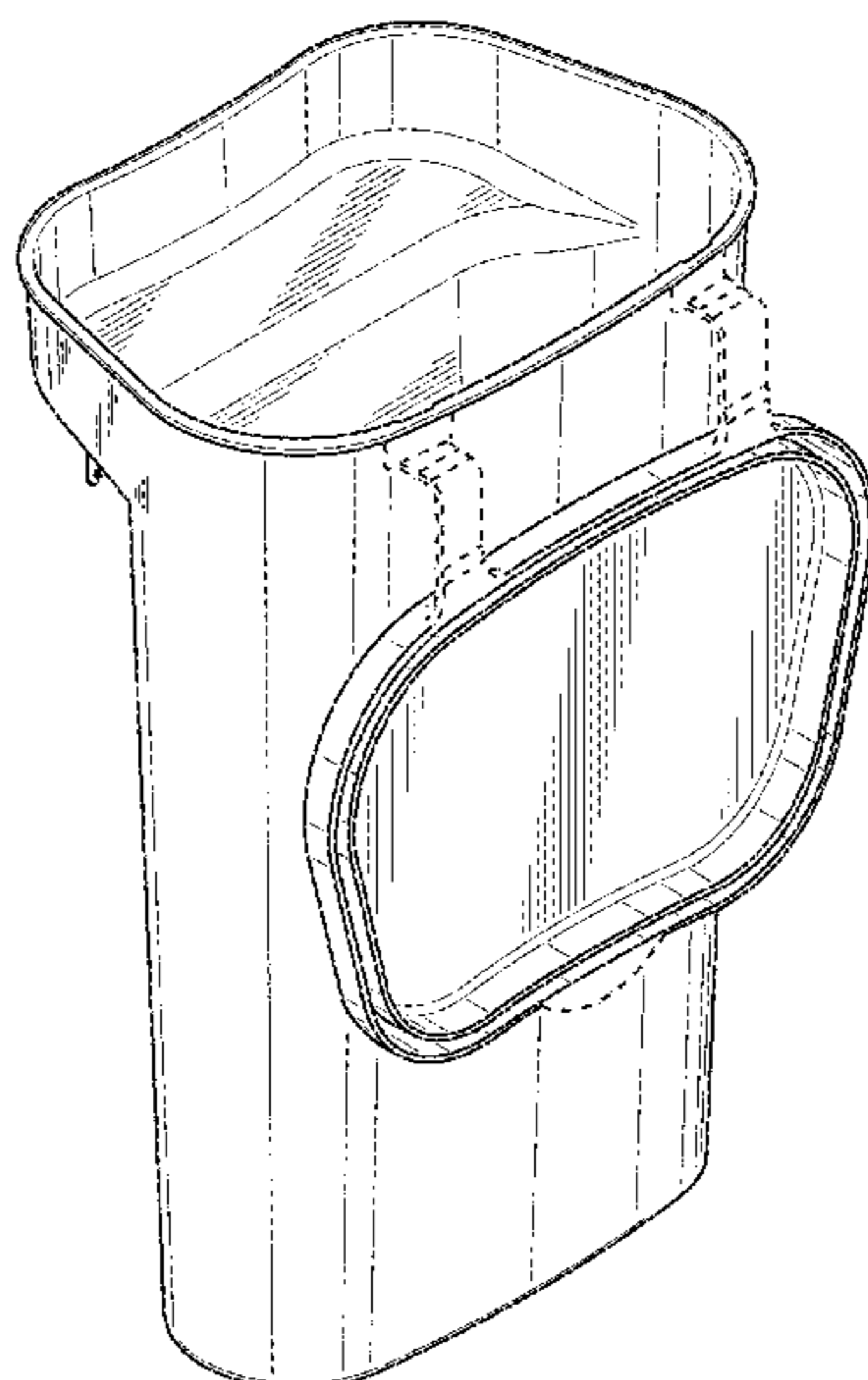
FIG. 14 is a sectional view of the waste container with the lid in the closed position taken along line 14-14 in FIG. 15;

FIG. 15 is a top plan view of the waste container with the lid in the closed position; and,

FIG. 16 is a bottom plan view of the waste container with the lid in the closed position.

The broken lines in the drawings depict portions of the waste container that form no part of the claimed design.

**1 Claim, 10 Drawing Sheets**



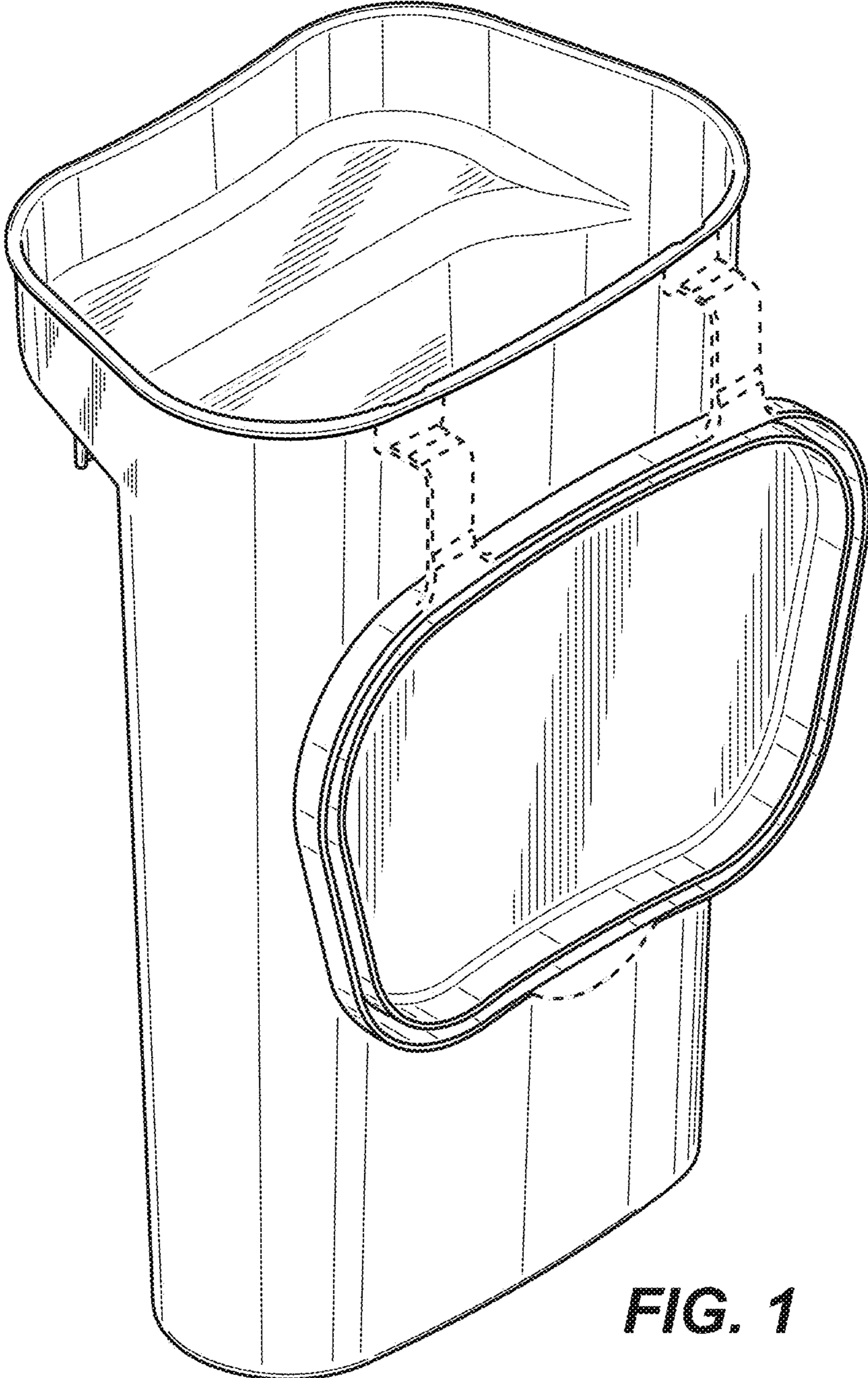
(56)

**References Cited**

U.S. PATENT DOCUMENTS

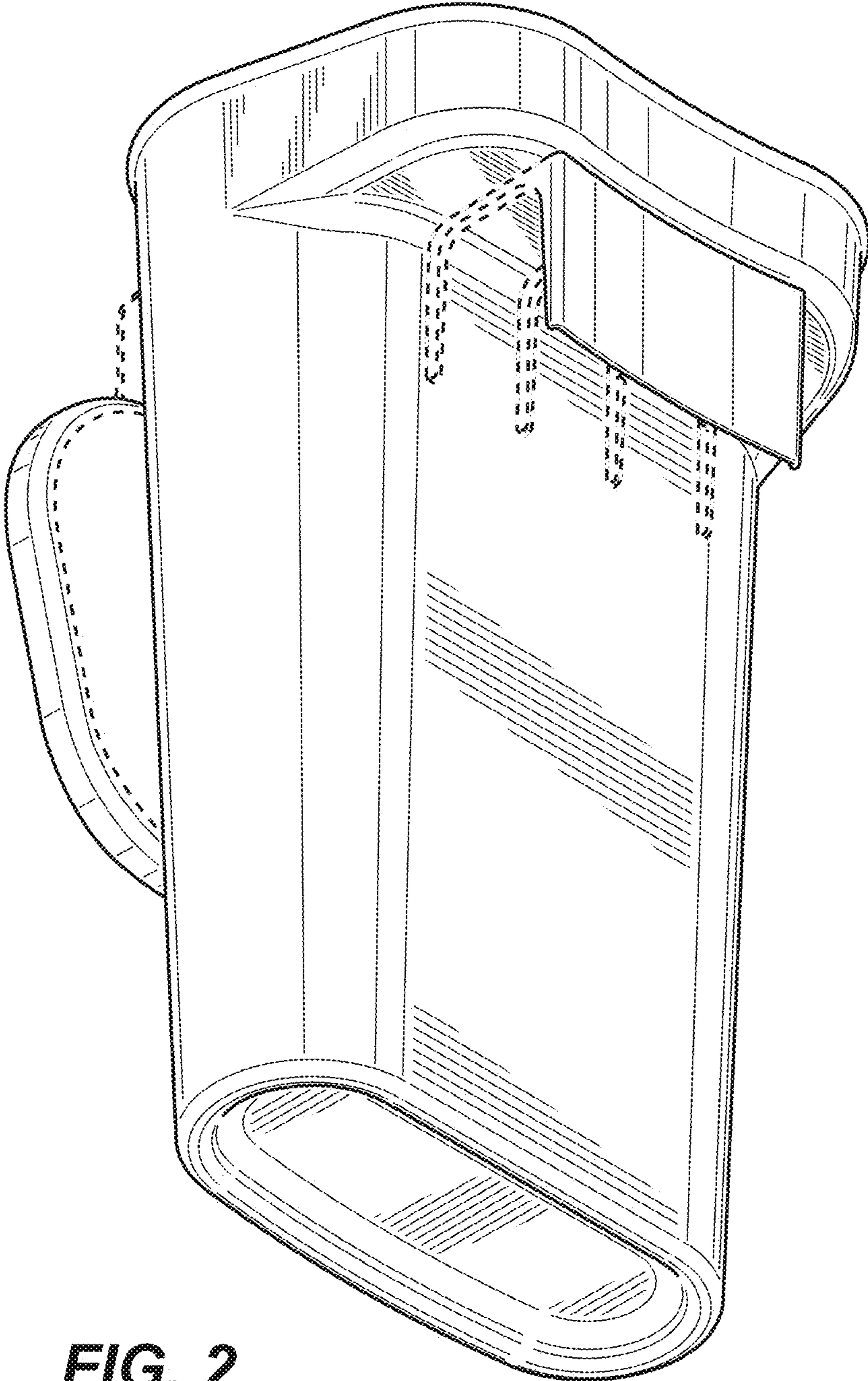
D749,943 S \* 2/2016 Mitten ..... D9/423  
D835,374 S \* 12/2018 Yang ..... D34/7  
D836,874 S \* 12/2018 Acosta ..... D32/53.1  
D882,903 S \* 4/2020 Chen ..... D34/9  
D890,460 S \* 7/2020 Evans ..... D32/55  
2017/0129517 A1\* 5/2017 Hamilton ..... B65F 1/1473

\* cited by examiner



**FIG. 1**





**FIG. 2**

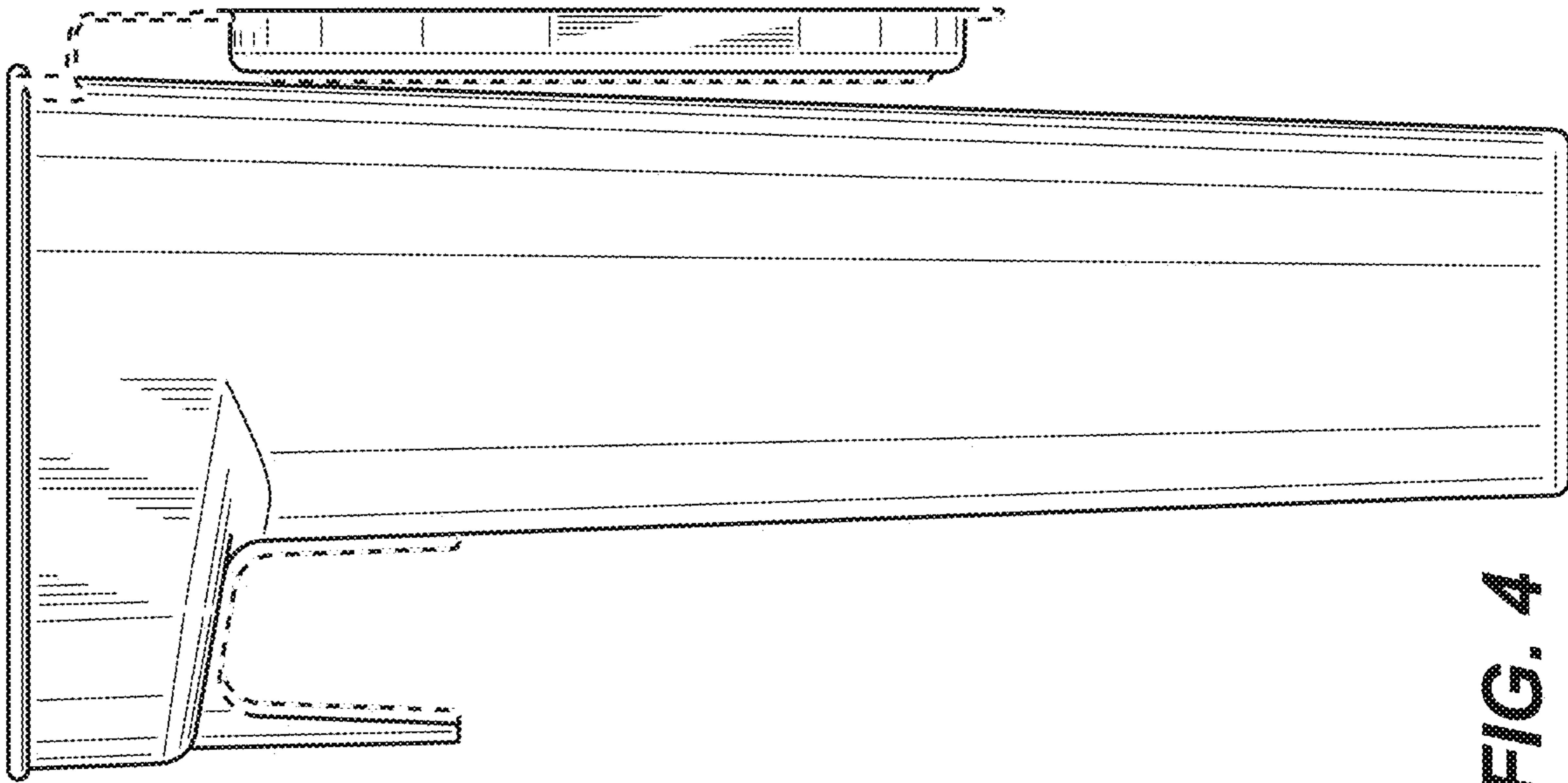


FIG. 4

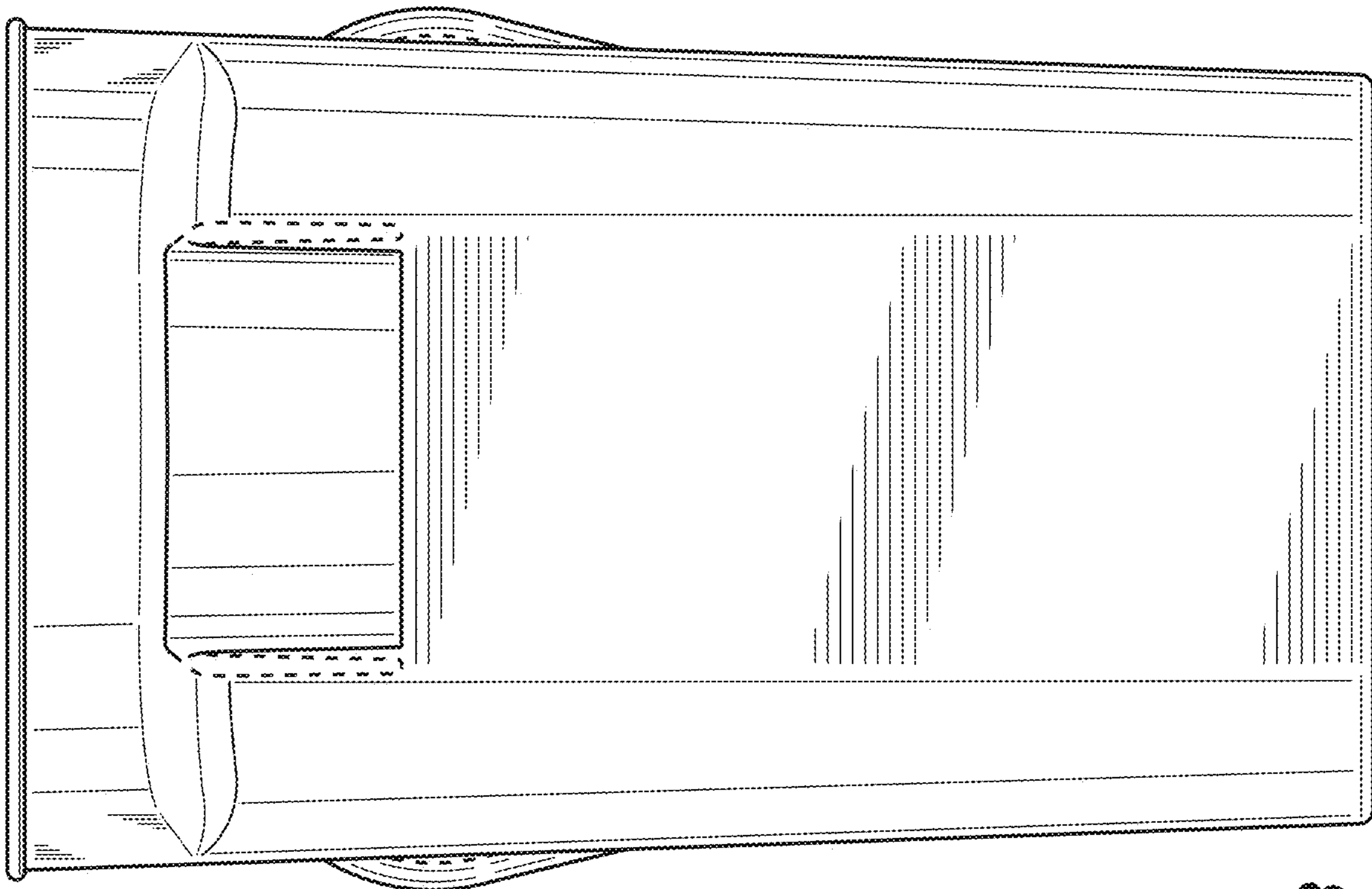


FIG. 3

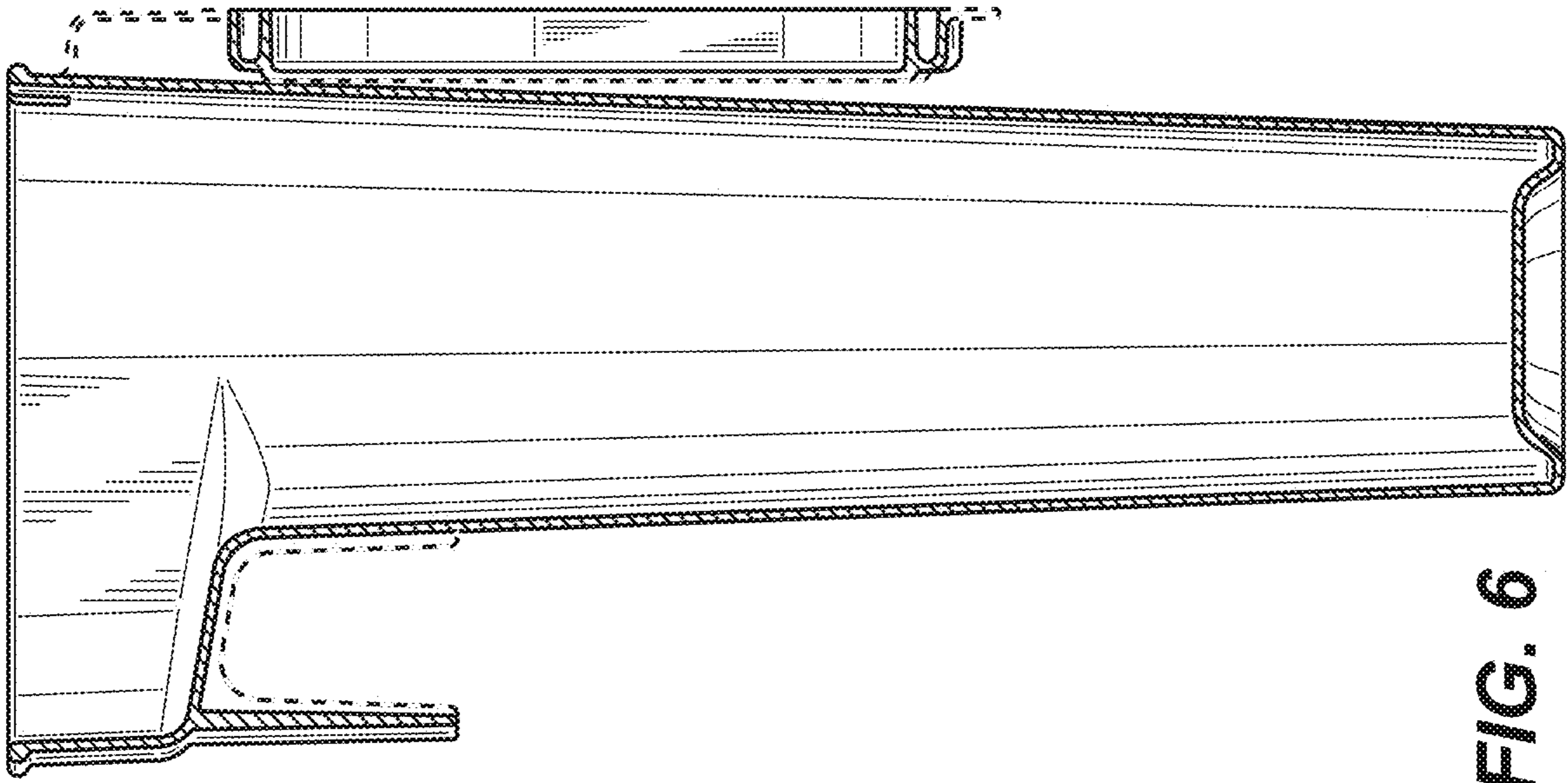


FIG. 6

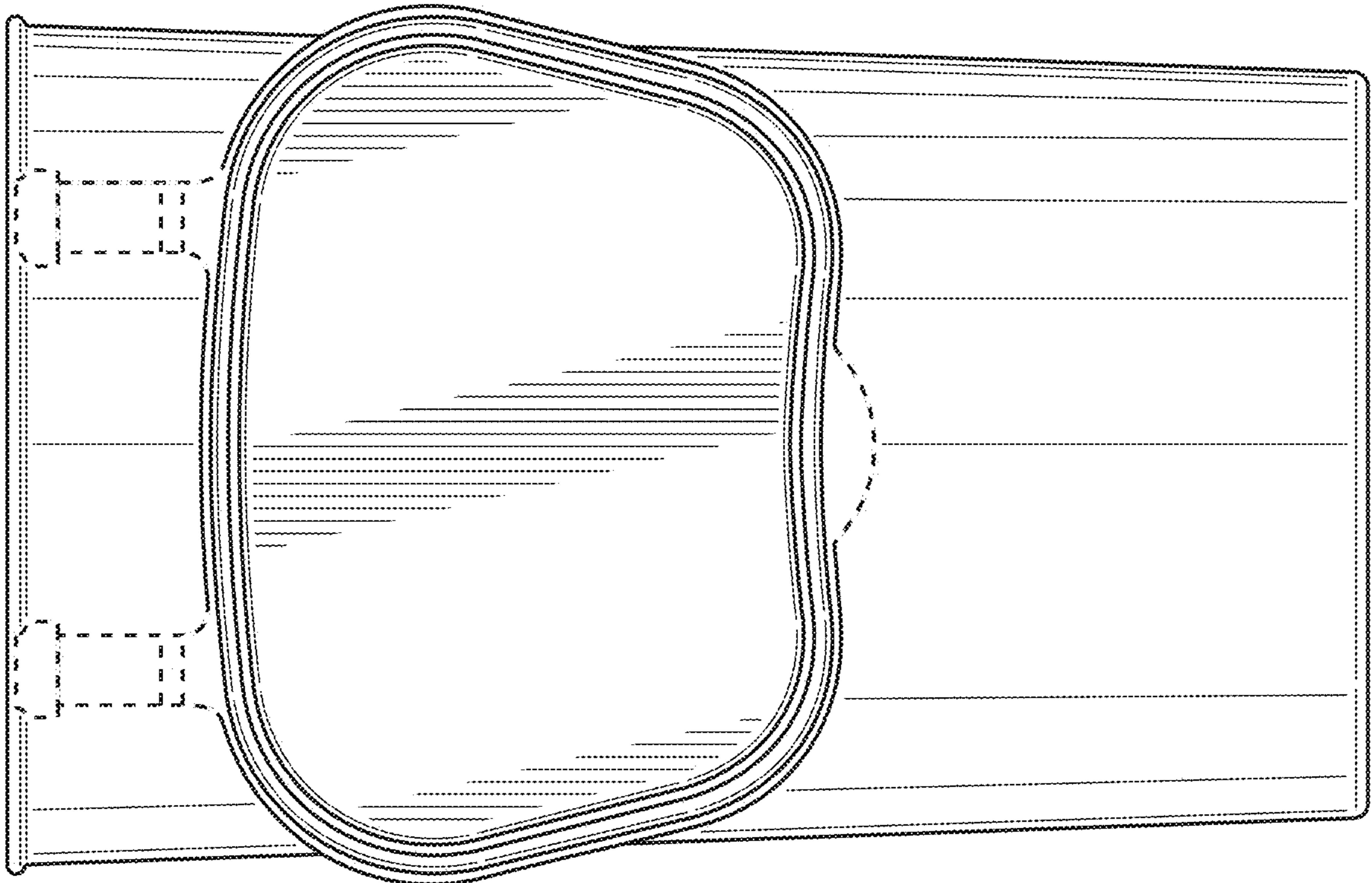
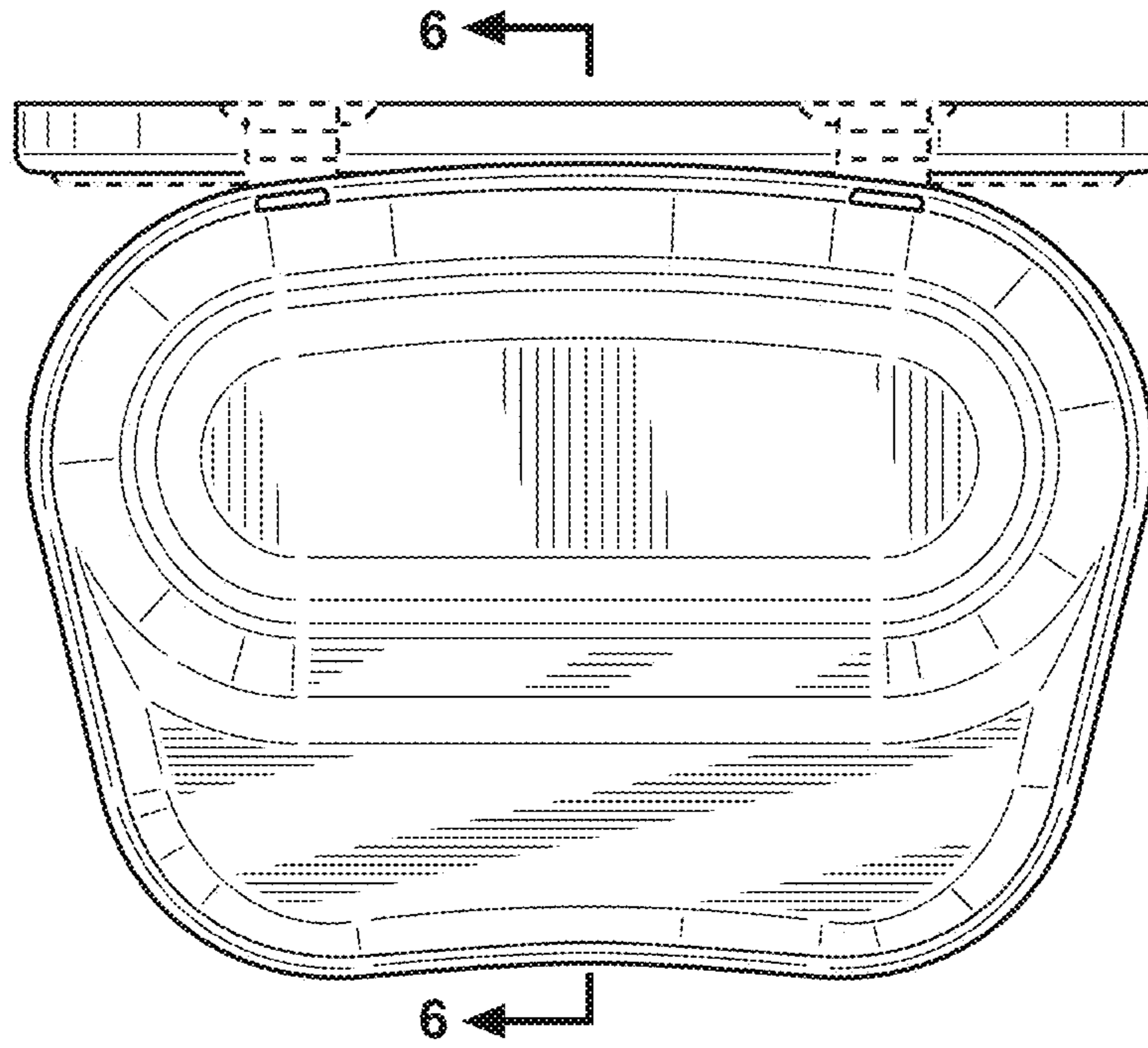
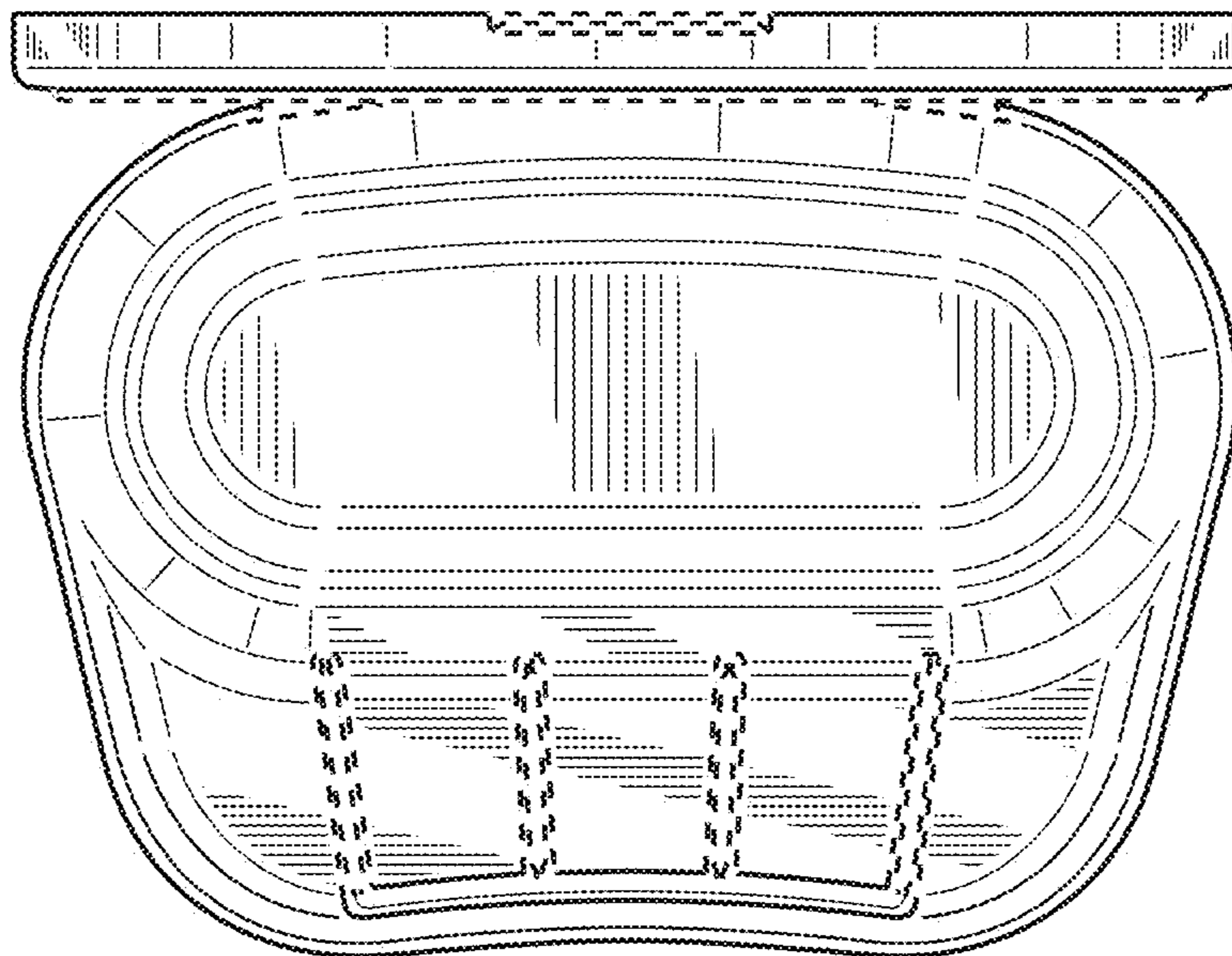


FIG. 5

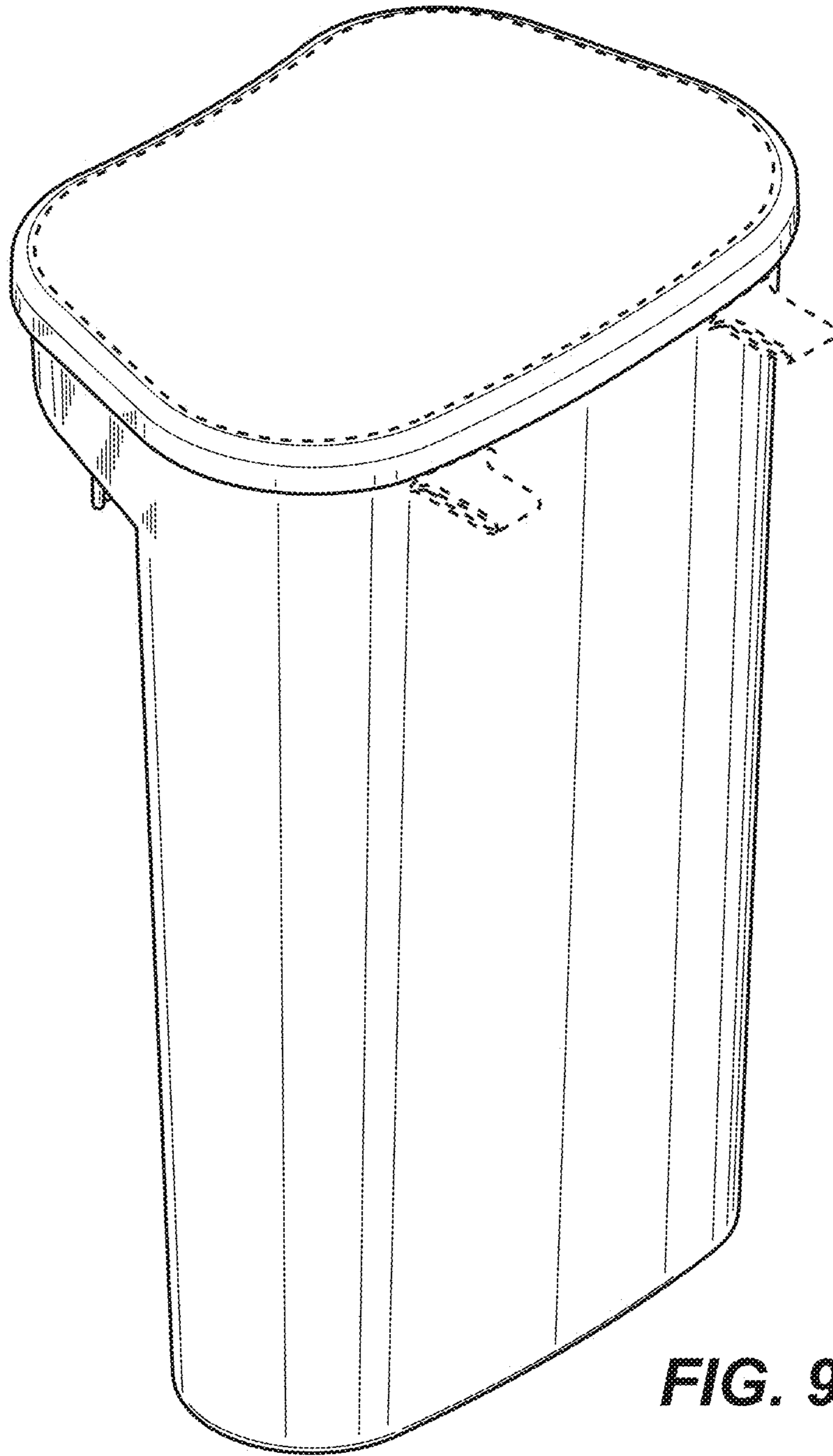




**FIG. 7**

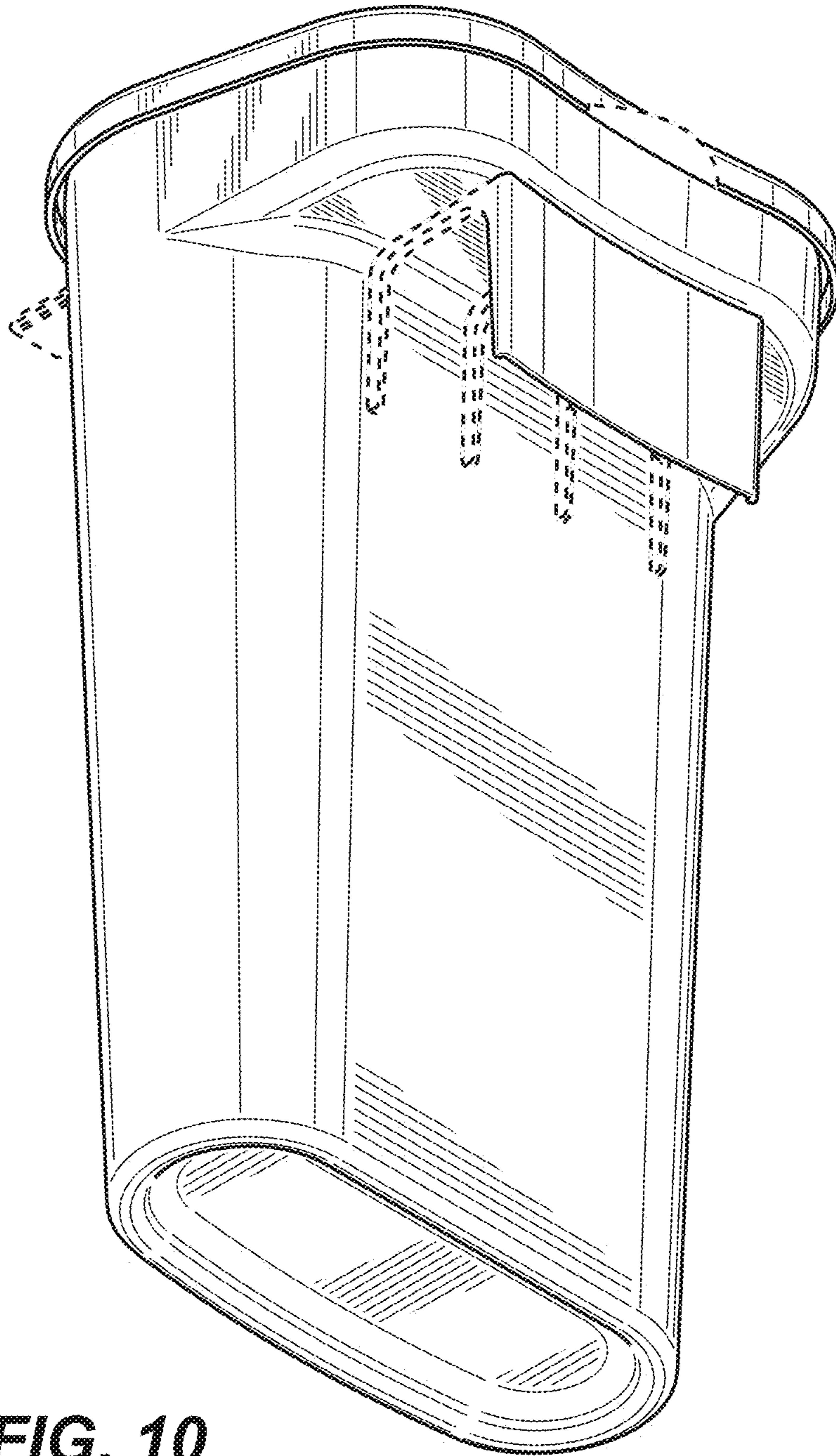


**FIG. 8**

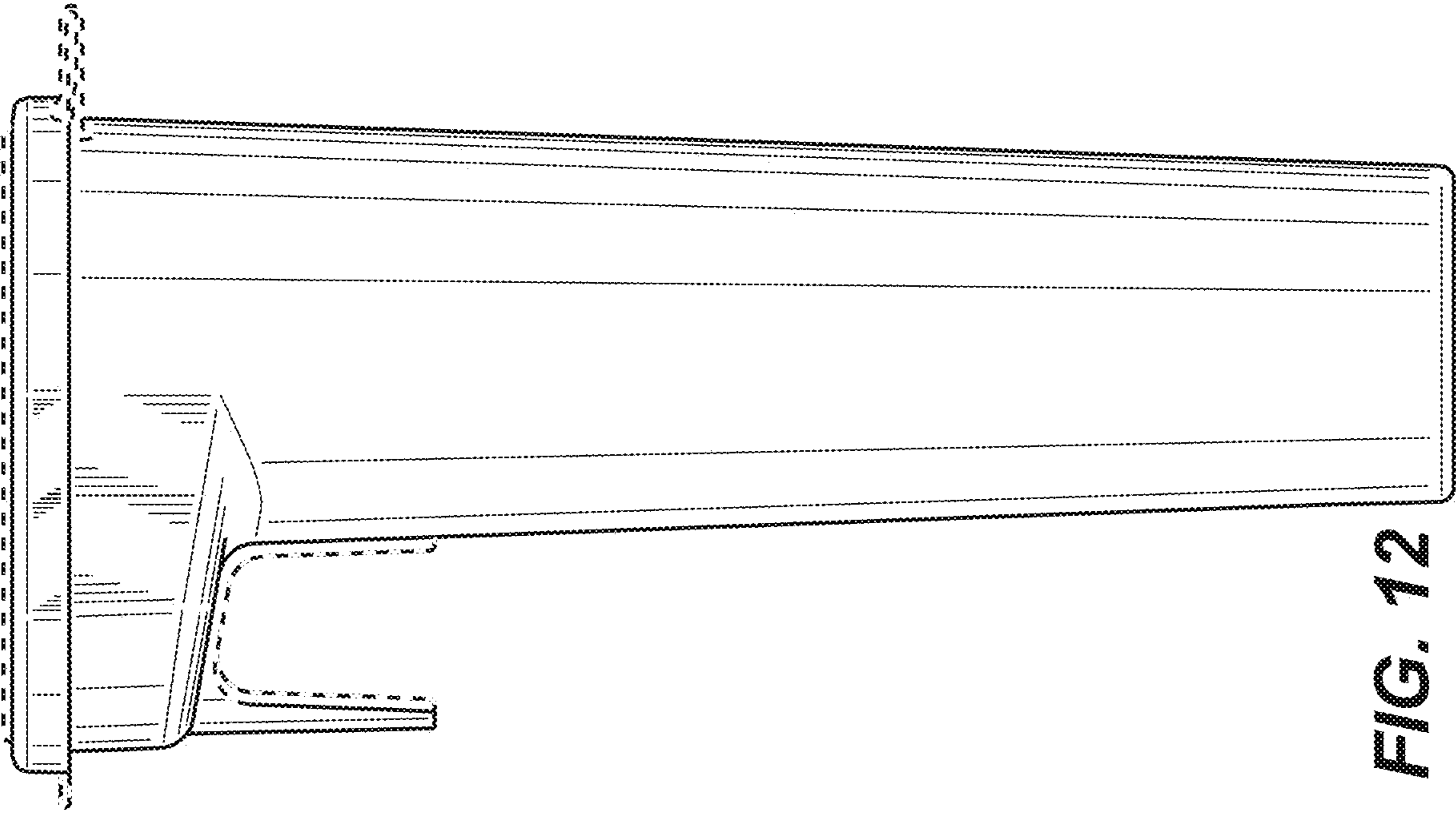


**FIG. 9**

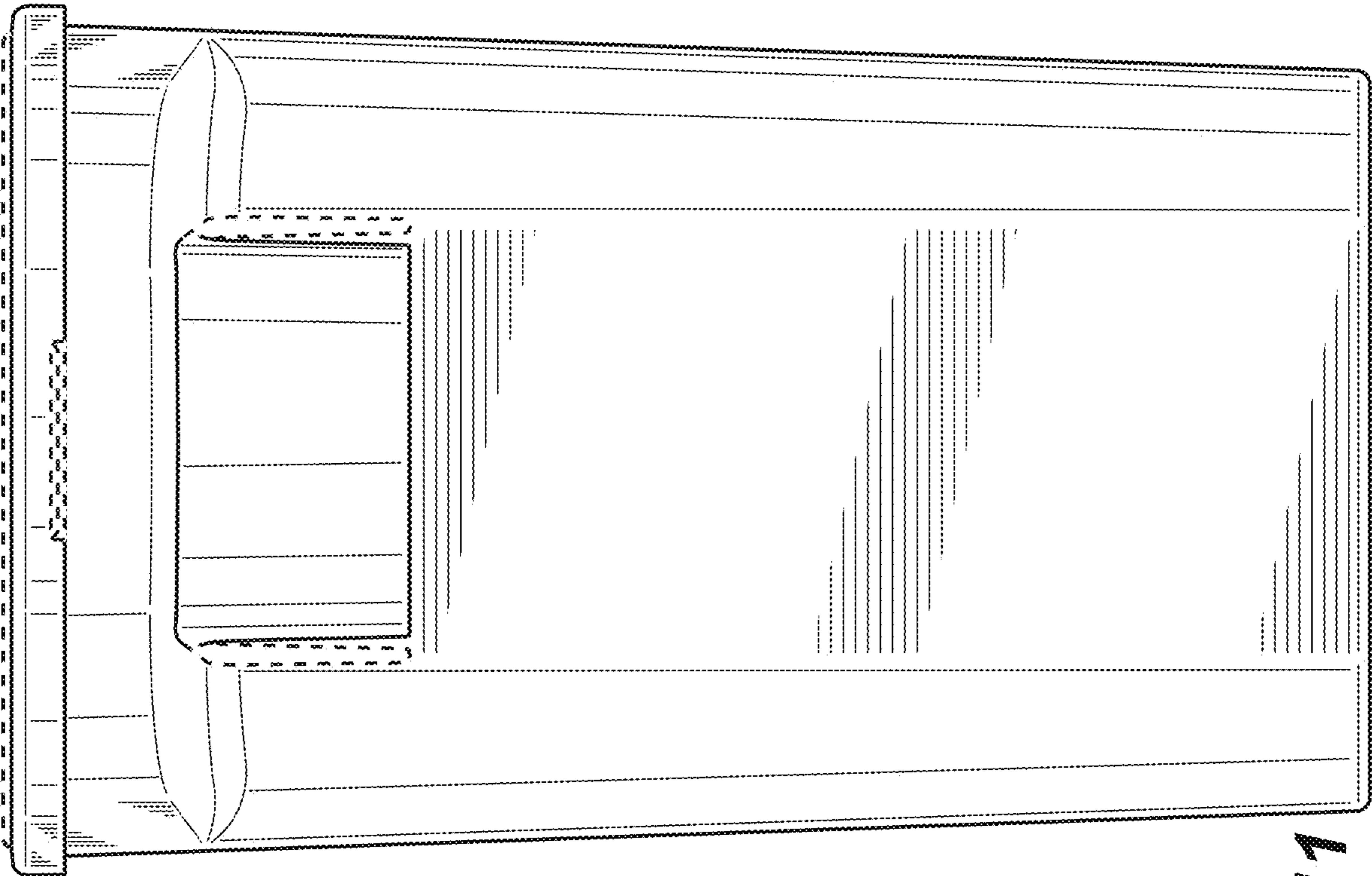




**FIG. 10**



**FIG. 12**



**FIG. 11**

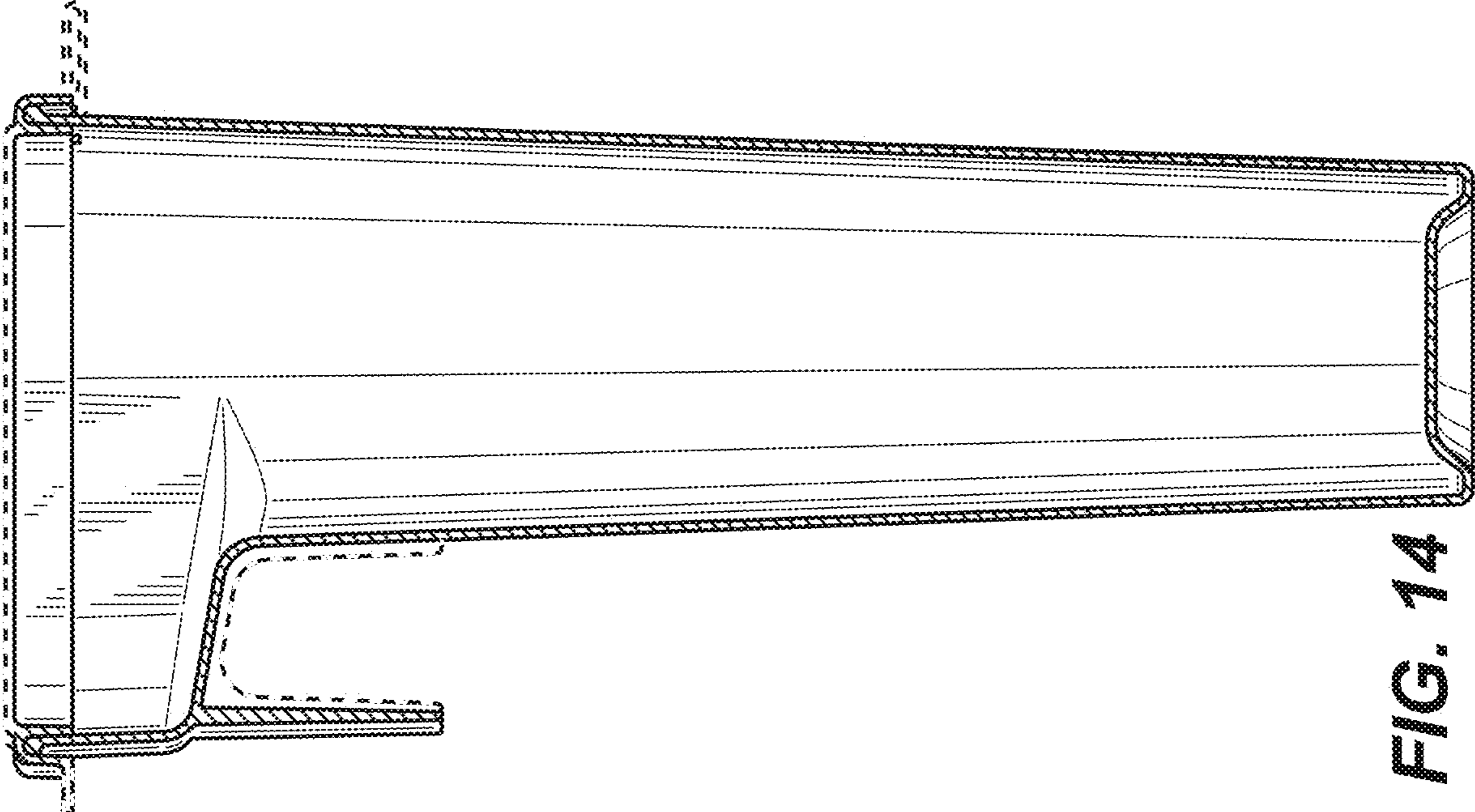


FIG. 14

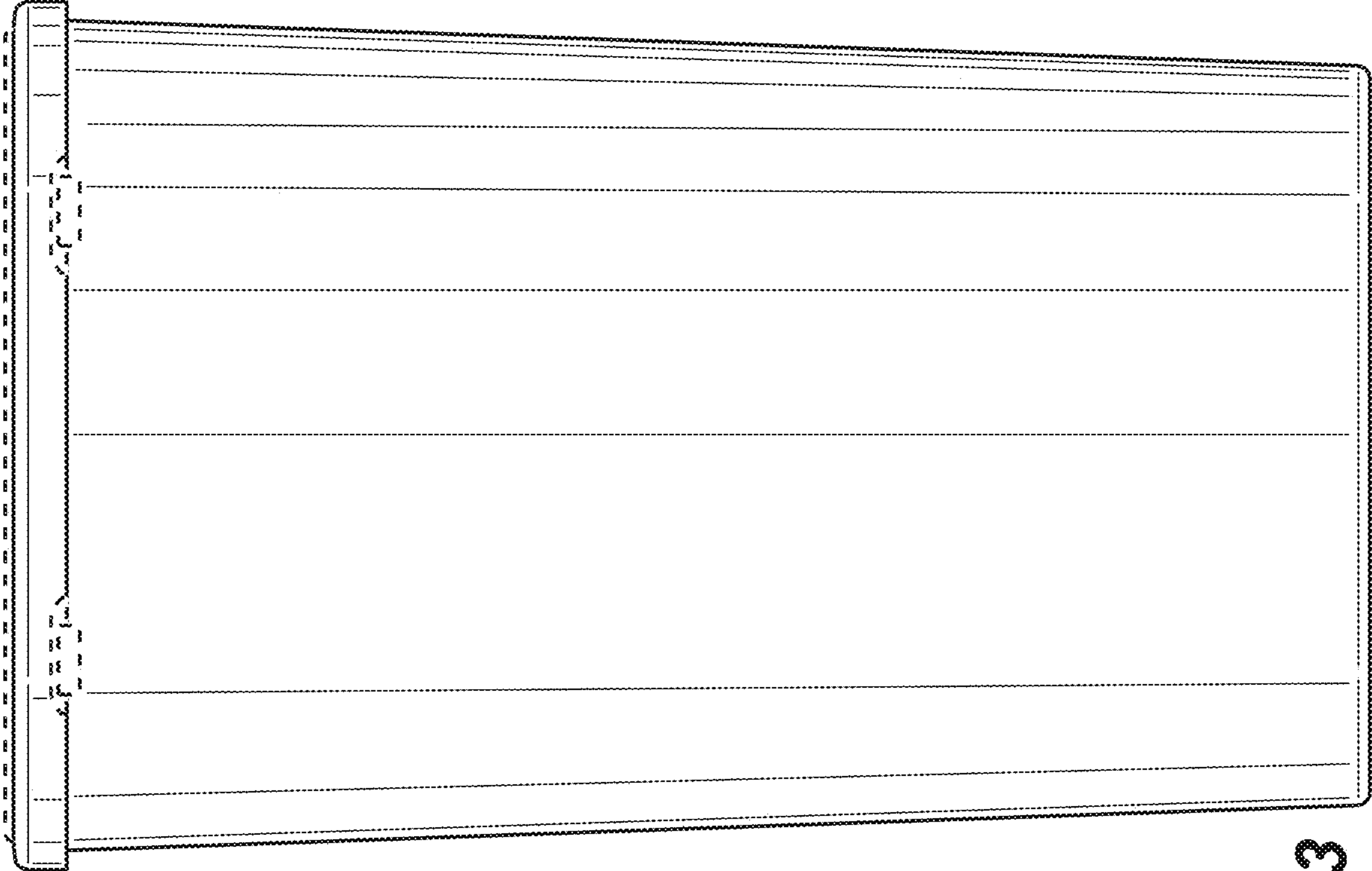
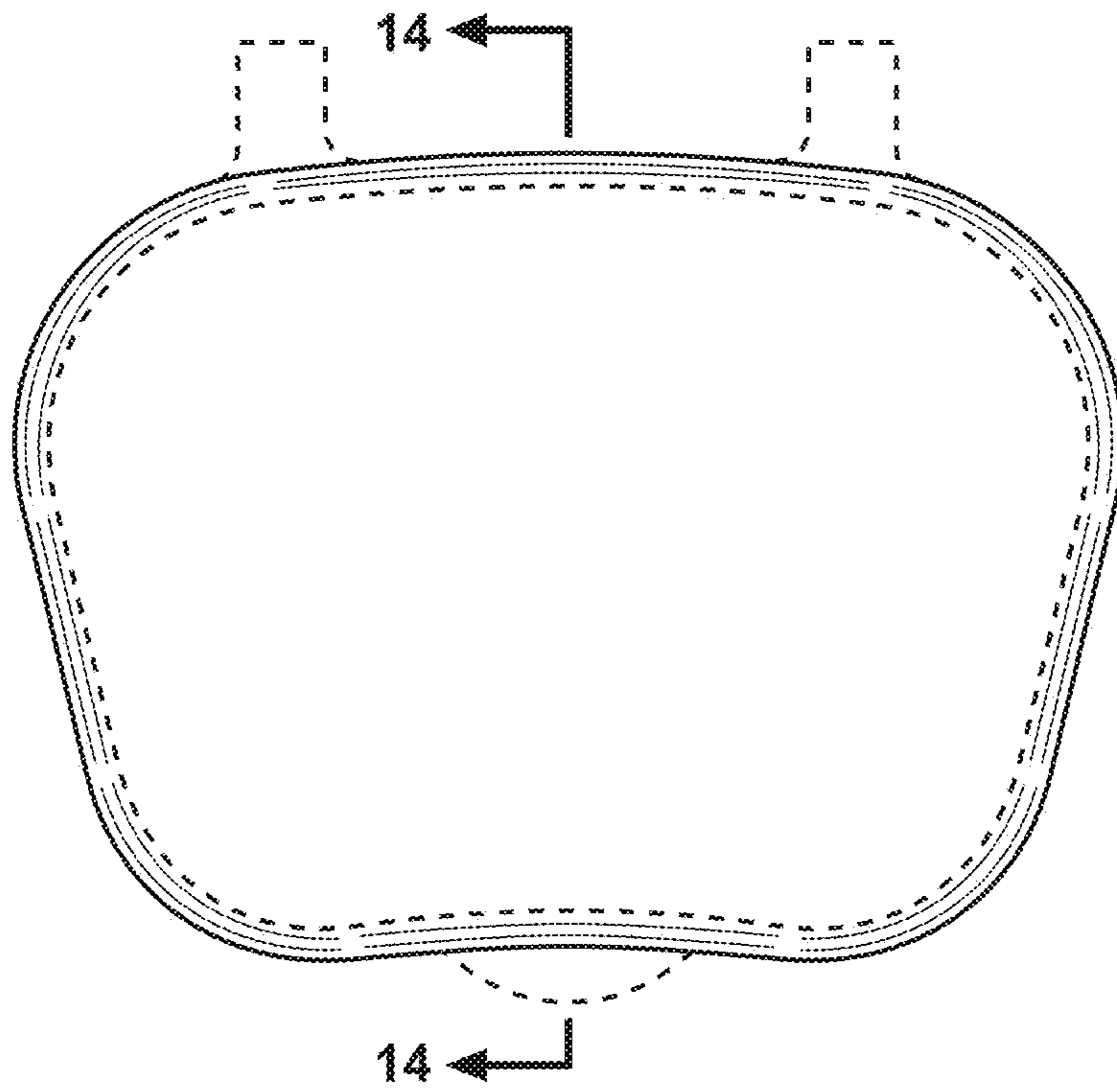
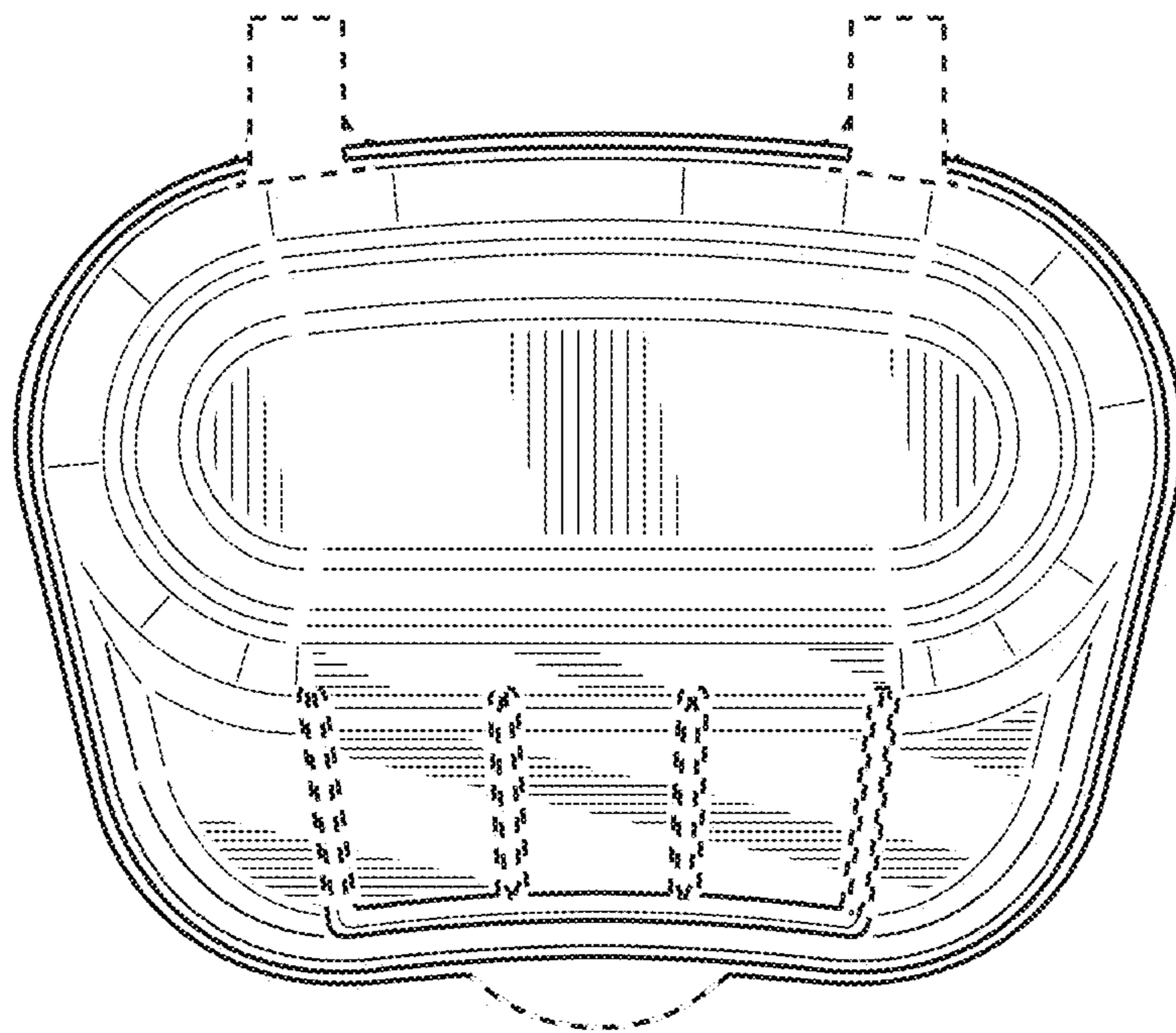


FIG. 13





**FIG. 15**



**FIG. 16**