



US00D914313S

(12) **United States Design Patent**
Diefenbach et al.

(10) **Patent No.:** **US D914,313 S**
(45) **Date of Patent:** **** Mar. 23, 2021**

(54) **SINK DRAINBOARD**

(71) Applicant: **Hansgrohe SE**, Schiltach (DE)

(72) Inventors: **Andreas Diefenbach**, Ludwigsburg
Oßweil (DE); **Philip Heinrich**, Stuttgart
(DE)

(73) Assignee: **Hansgrohe SE**, Schiltach (DE)

(**) Term: **15 Years**

(21) Appl. No.: **29/701,911**

(22) Filed: **Aug. 15, 2019**

(30) **Foreign Application Priority Data**

Feb. 19, 2019 (EM) 006260980-0014

(51) **LOC (13) Cl.** **07-05**

(52) **U.S. Cl.**
USPC **D32/57; D32/55**

(58) **Field of Classification Search**
USPC D32/55, 276, 3; D6/510, 525; D30/133;
211/41.5, 41.4, 41.3, 41.8; 361/679.4;
312/311, 333, 334.4; D7/354, 629
CPC .. A47L 15/505; A47L 15/503; A47L 15/0013;
A47L 19/02; A47L 19/04; A47J 47/20
See application file for complete search history.

(56) **References Cited**

U.S. PATENT DOCUMENTS

D292,134 S * 9/1987 McDaniel, Sr. D32/56
D554,820 S * 11/2007 Dretzka D32/57

D615,266 S * 5/2010 Lion D32/57
D625,482 S * 10/2010 Yang D32/57
8,603,605 B2 * 12/2013 Dretzka E03C 1/186
428/81
D707,004 S * 6/2014 Levy D32/57
D707,005 S * 6/2014 Levy D32/57
D904,709 S * 12/2020 Gee, II D32/57
D904,710 S * 12/2020 Gee, II D32/57

FOREIGN PATENT DOCUMENTS

EM 001182703-0011 1/2010
EM 001182703-0044 1/2010
EM 001182703-0056 1/2010

* cited by examiner

Primary Examiner — Austin Murphy

(74) *Attorney, Agent, or Firm* — Lora J. Graentzdoerffer

(57) **CLAIM**

The ornamental design for a sink drainboard, as shown and described.

DESCRIPTION

FIG. 1 is a perspective view of a sink drainboard showing our design;
FIG. 2 is a side elevation view of a first side;
FIG. 3 is a side elevation view of a second side;
FIG. 4 is a top plan view; and,
FIG. 5 is a bottom plan view.
The broken-line disclosures in the view represents portions of the sink drainboard in which the claimed design is embodied, but which forms no part of the claimed design.

1 Claim, 5 Drawing Sheets

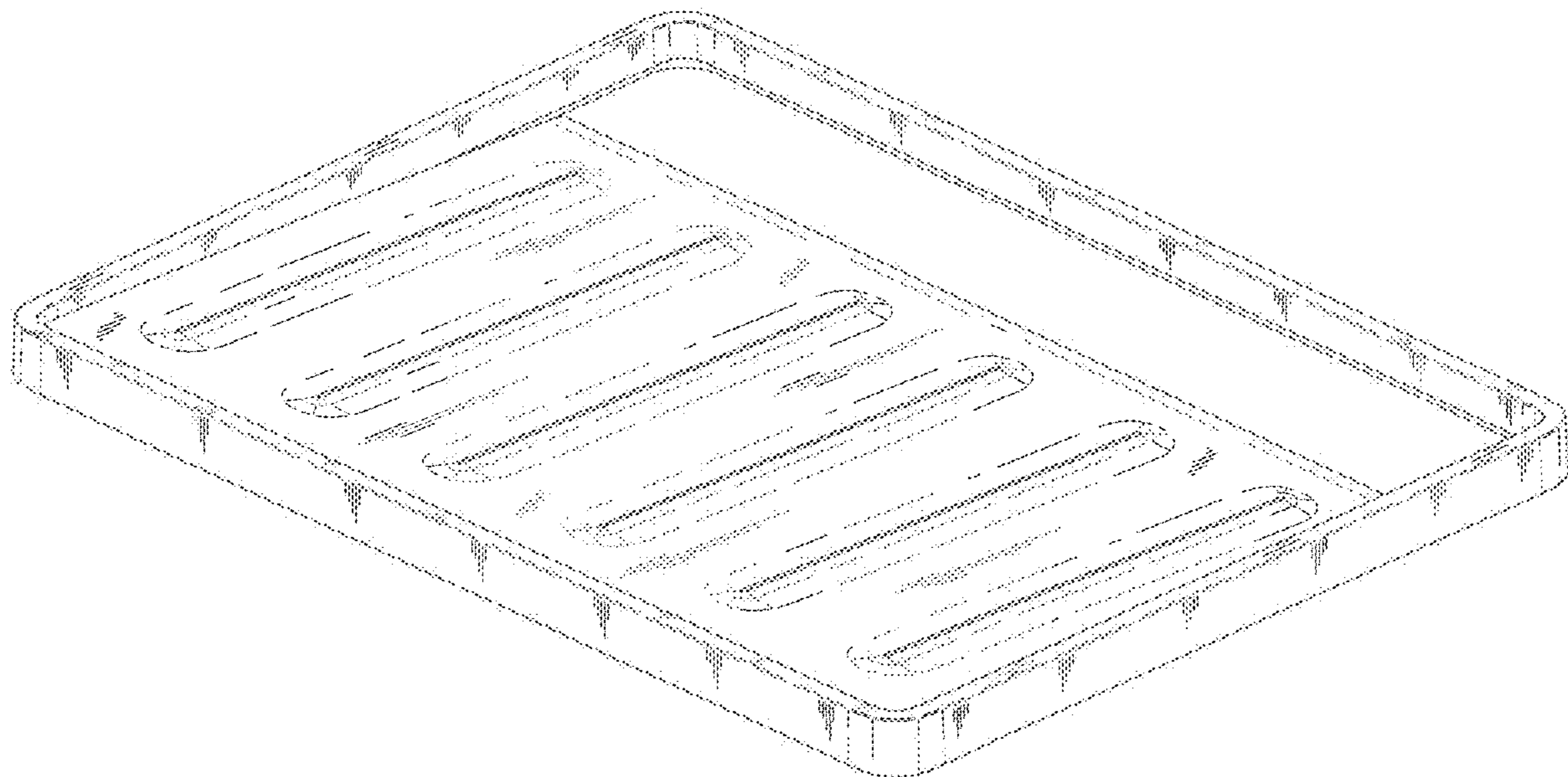


FIG. 1

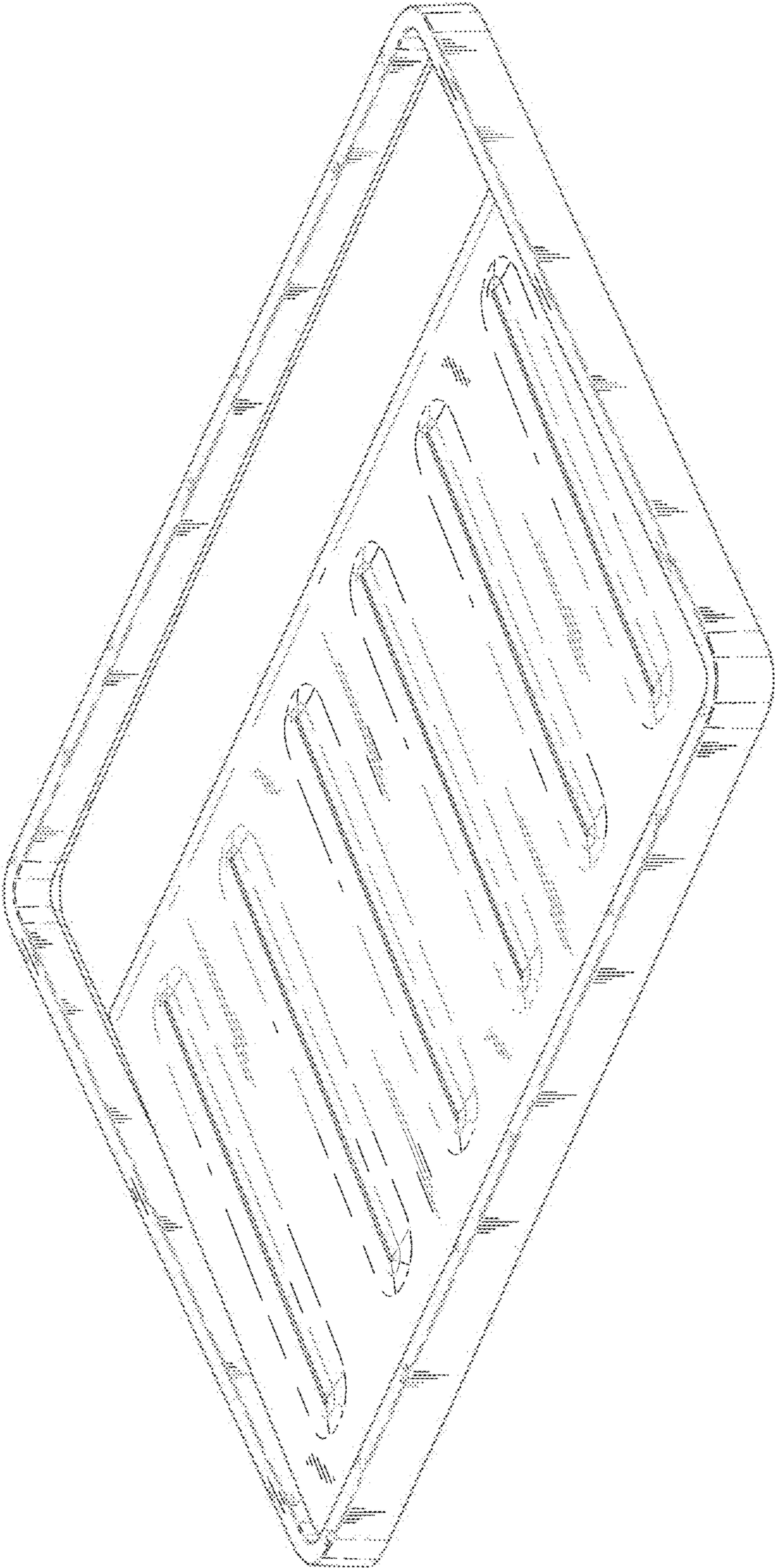


FIG. 2

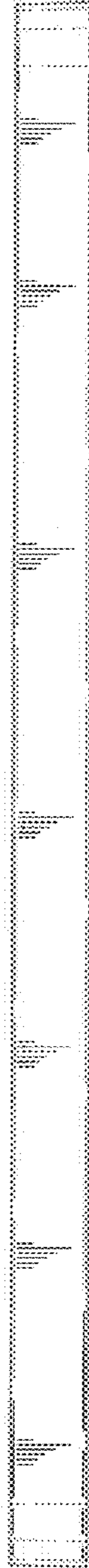


FIG. 3



FIG. 4

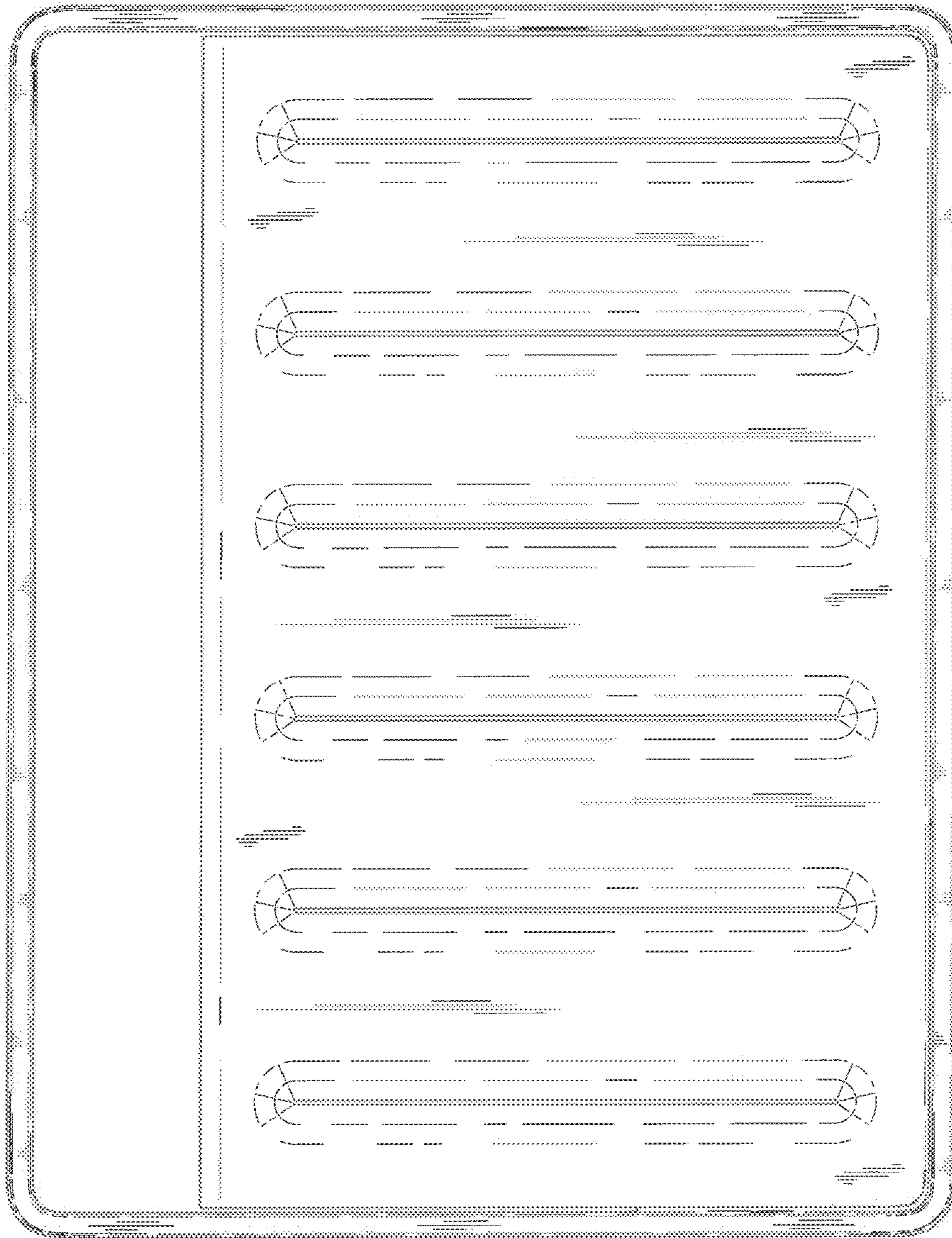


FIG. 5

