



US00D914312S

(12) **United States Design Patent**  
**Cheng et al.**

(10) **Patent No.:** **US D914,312 S**

(45) **Date of Patent:** **\*\* Mar. 23, 2021**

(54) **DISH RACK**

(71) Applicant: **Helen of Troy Limited**, St. Michael (BB)

(72) Inventors: **Carly Cheng**, New York, NY (US);  
**Erik R. Shewan**, Astoria, NY (US);  
**Martin Mutch**, New York, NY (US)

(73) Assignee: **Helen of Troy Limited**, St. Michael (BB)

(\*\*) Term: **15 Years**

(21) Appl. No.: **29/724,886**

(22) Filed: **Feb. 20, 2020**

(51) **LOC (13) Cl.** ..... **07-05**

(52) **U.S. Cl.**  
USPC ..... **D32/55**

(58) **Field of Classification Search**  
USPC ..... D32/55, 276, 3; D6/510, 525; D30/133;  
211/41.5, 41.4, 41.3, 41.8; 361/679.4;  
312/311, 333, 334.4; D7/354, 629  
CPC ..... A47J 47/20; A47J 2201/00; A47J 47/00;  
B65D 35/02; B65D 35/22; B65D 35/56  
See application file for complete search history.

(56) **References Cited**

**U.S. PATENT DOCUMENTS**

D586,061 S	*	2/2009	Curtin	.....	D32/55
D647,678 S	*	10/2011	Yang	.....	D32/55
D693,081 S	*	11/2013	Yang	.....	D32/55
D699,413 S	*	2/2014	Huang	.....	D32/55

D706,510 S	*	6/2014	Lerner	.....	D32/55
D776,385 S	*	1/2017	Evans	.....	D32/55
D776,387 S	*	1/2017	Chen	.....	D32/56
D783,216 S	*	4/2017	Huang	.....	D32/55
D799,133 S	*	10/2017	Wong	.....	D32/55
D819,289 S	*	5/2018	Umholtz	.....	D32/55
D871,703 S	*	12/2019	Huang	.....	D32/55
D874,775 S	*	2/2020	Xie	.....	D32/55
D887,098 S	*	6/2020	Li	.....	D32/55

\* cited by examiner

*Primary Examiner* — Austin Murphy

(74) *Attorney, Agent, or Firm* — Rankin, Hill & Clark LLP

(57) **CLAIM**

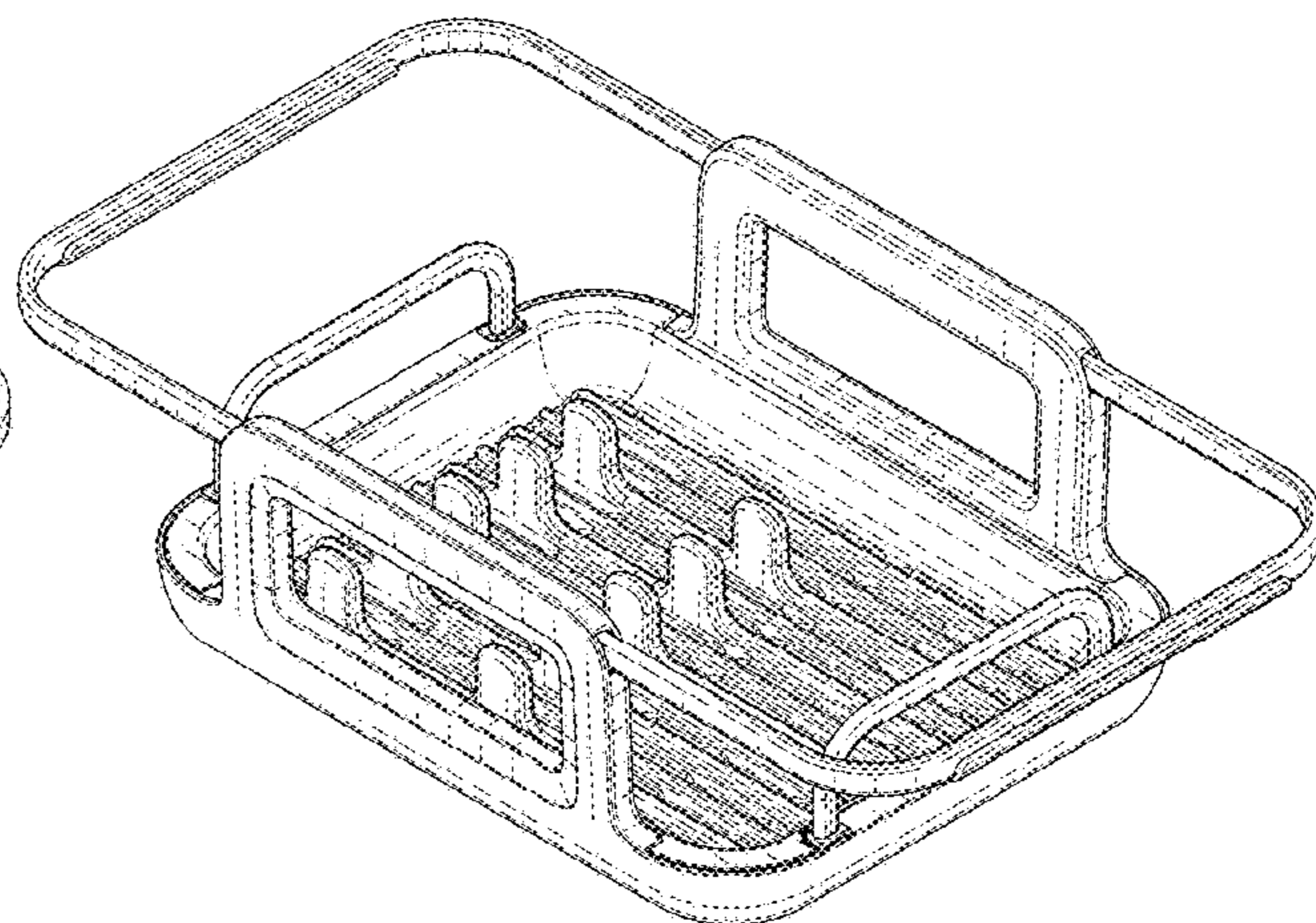
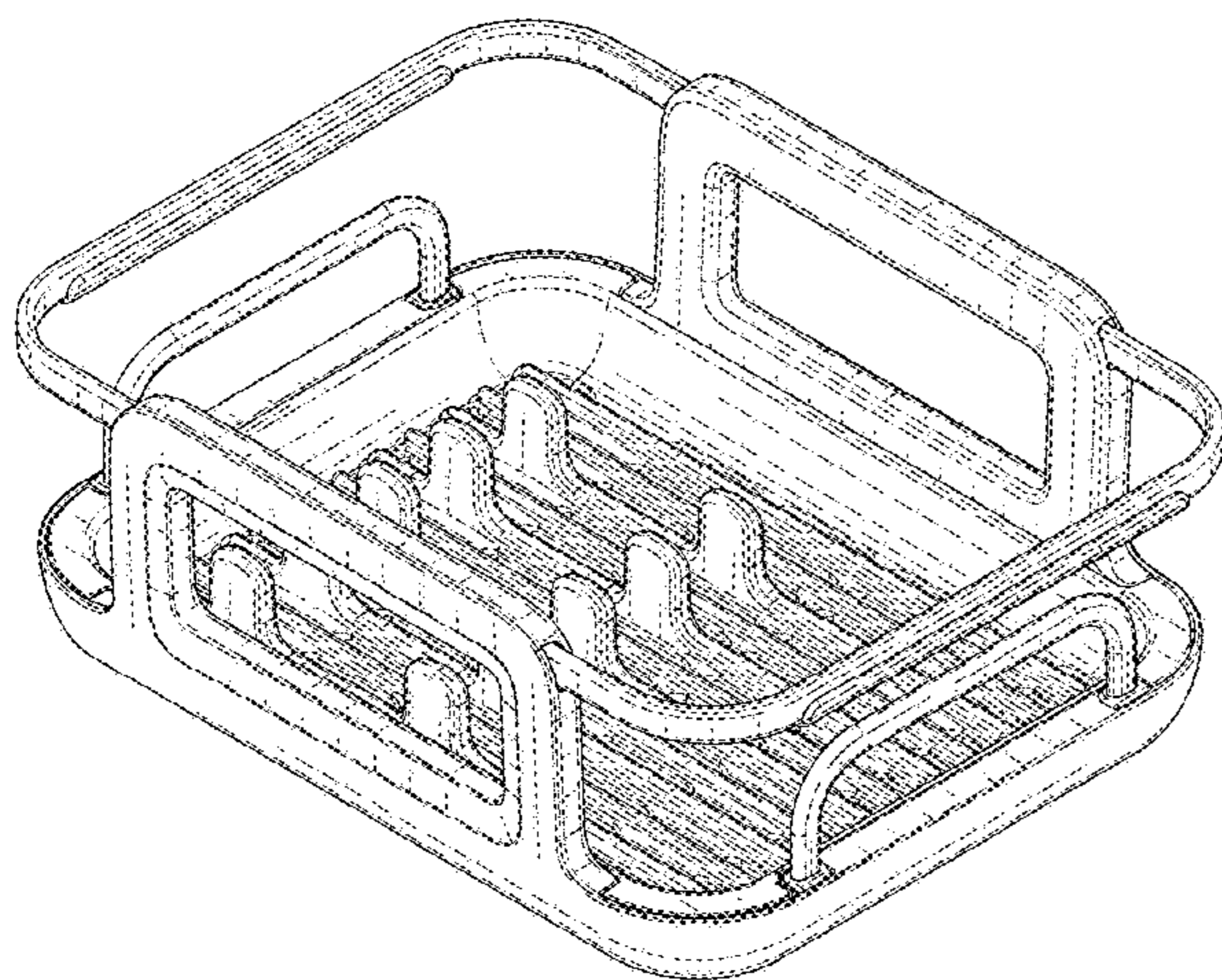
The ornamental design for a dish rack, as shown and described.

**DESCRIPTION**

FIG. 1 is a perspective view of a new, original and ornamental design for a dish rack, support arms of the dish rack in a first position relative to a base;  
FIG. 2 is a front elevation view of FIG. 1;  
FIG. 3 is a rear elevation view of FIG. 1;  
FIG. 4 is a right side elevation view of FIG. 1;  
FIG. 5 is a left side elevation view of FIG. 1;  
FIG. 6 is a top plan view of FIG. 1;  
FIG. 7 is a bottom plan view of FIG. 1; and,  
FIG. 8 is another perspective view of the dish rack, support arms of the dish rack in a second position relative to the base.

The broken lines in the drawings depict portions of the dish rack that form no part of the claimed design.

**1 Claim, 6 Drawing Sheets**



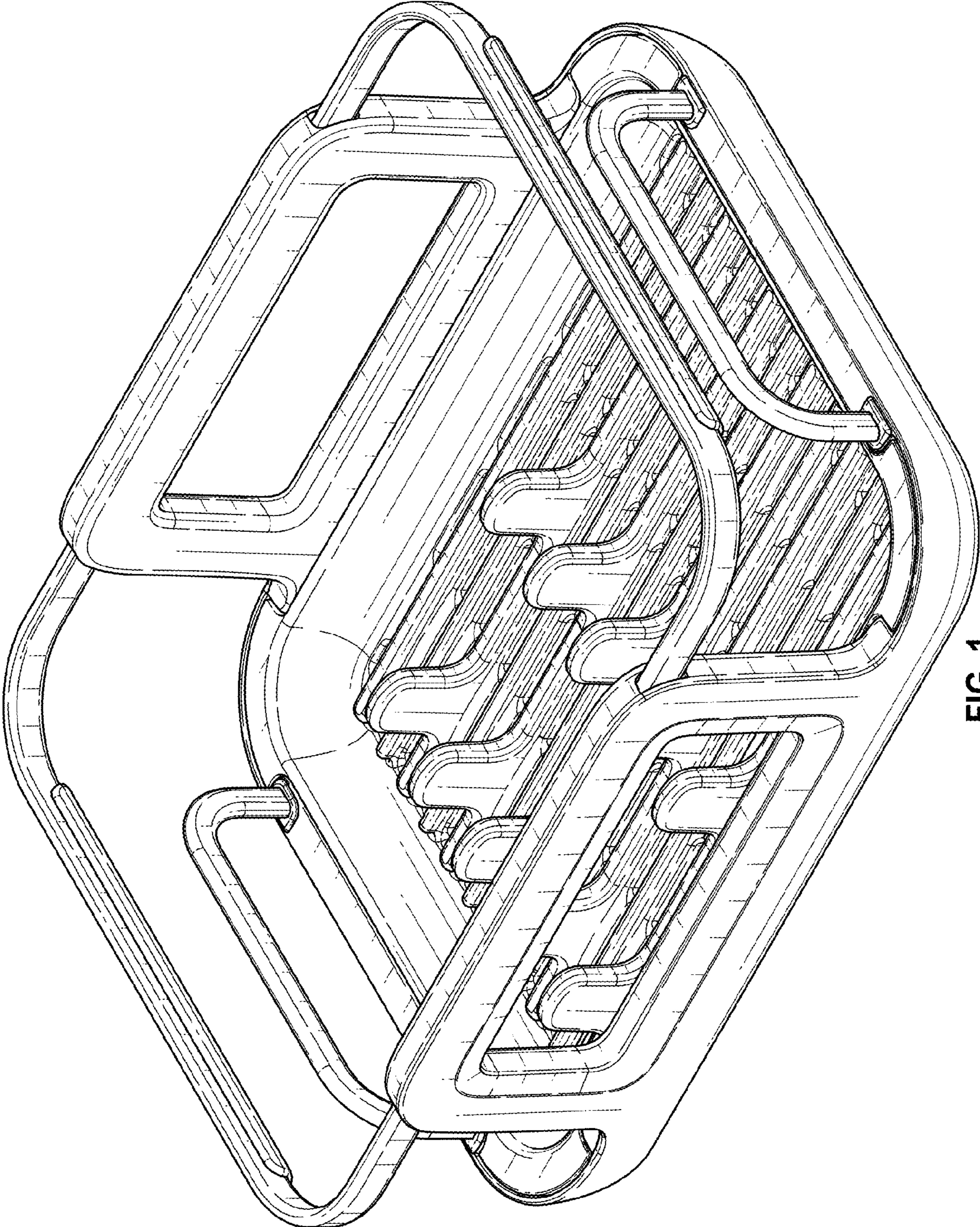


FIG. 1

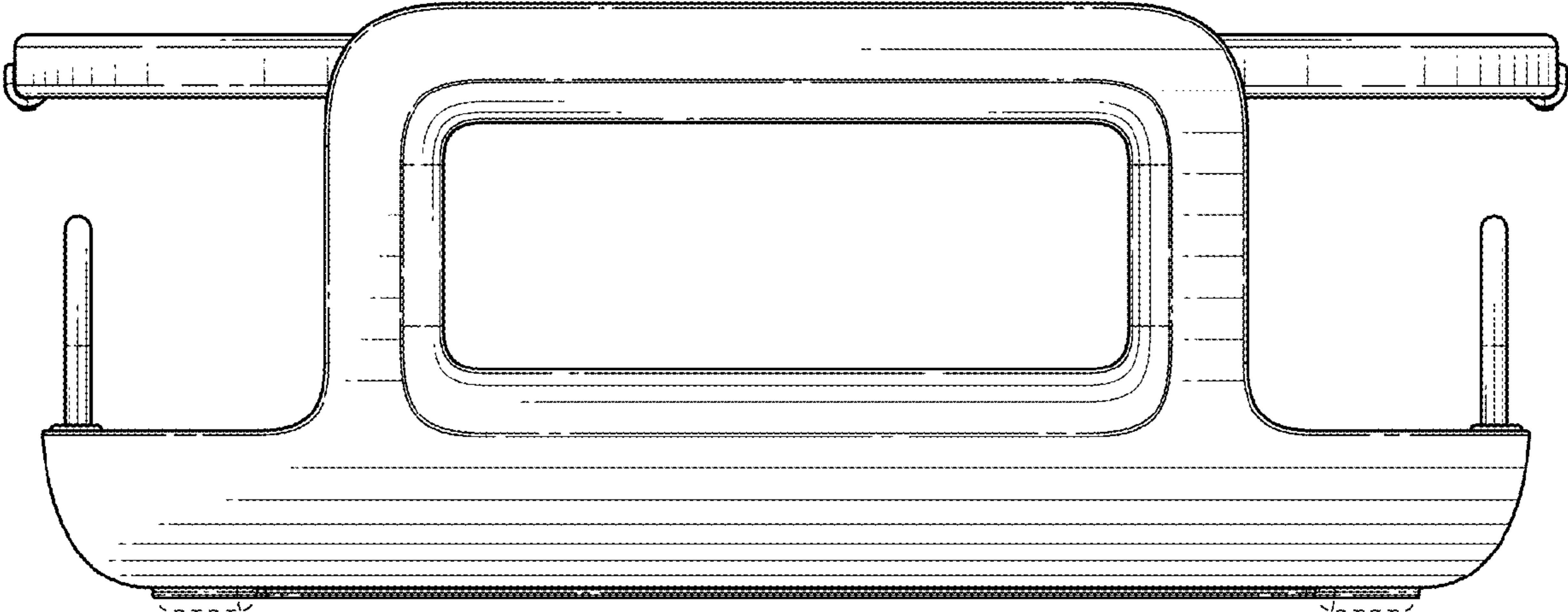


FIG. 2

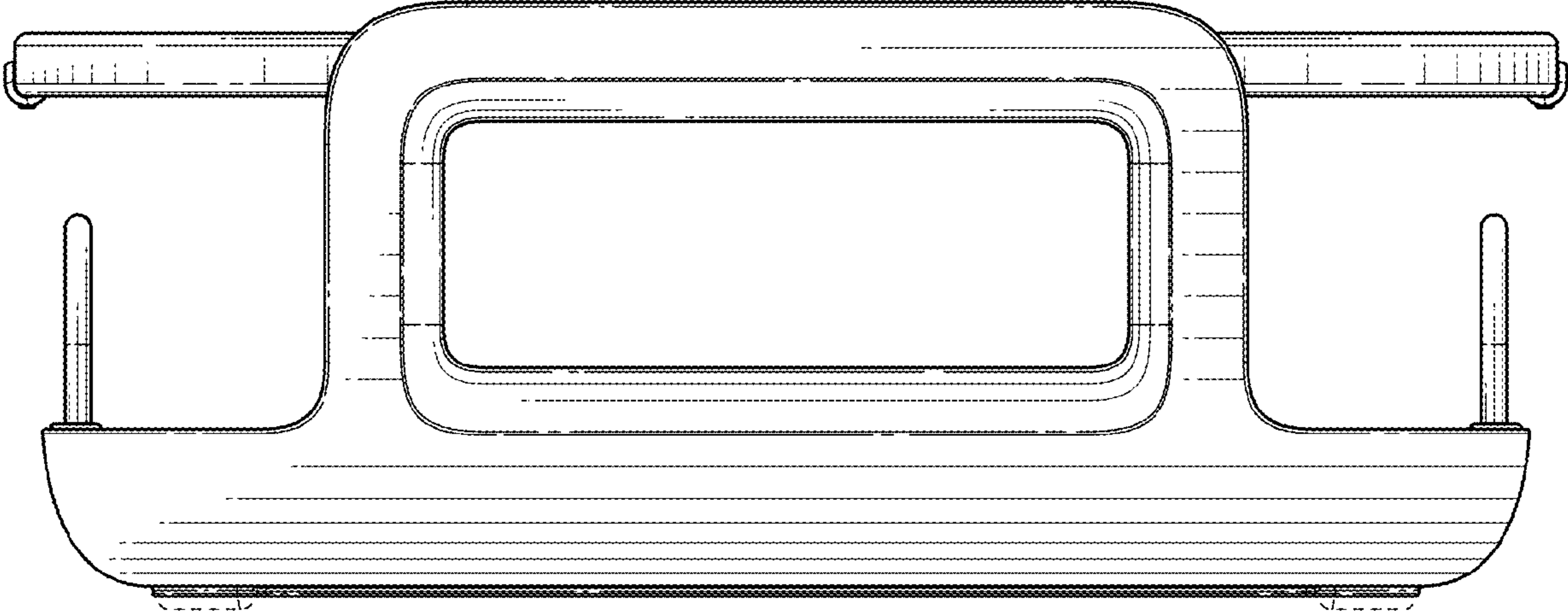


FIG. 3

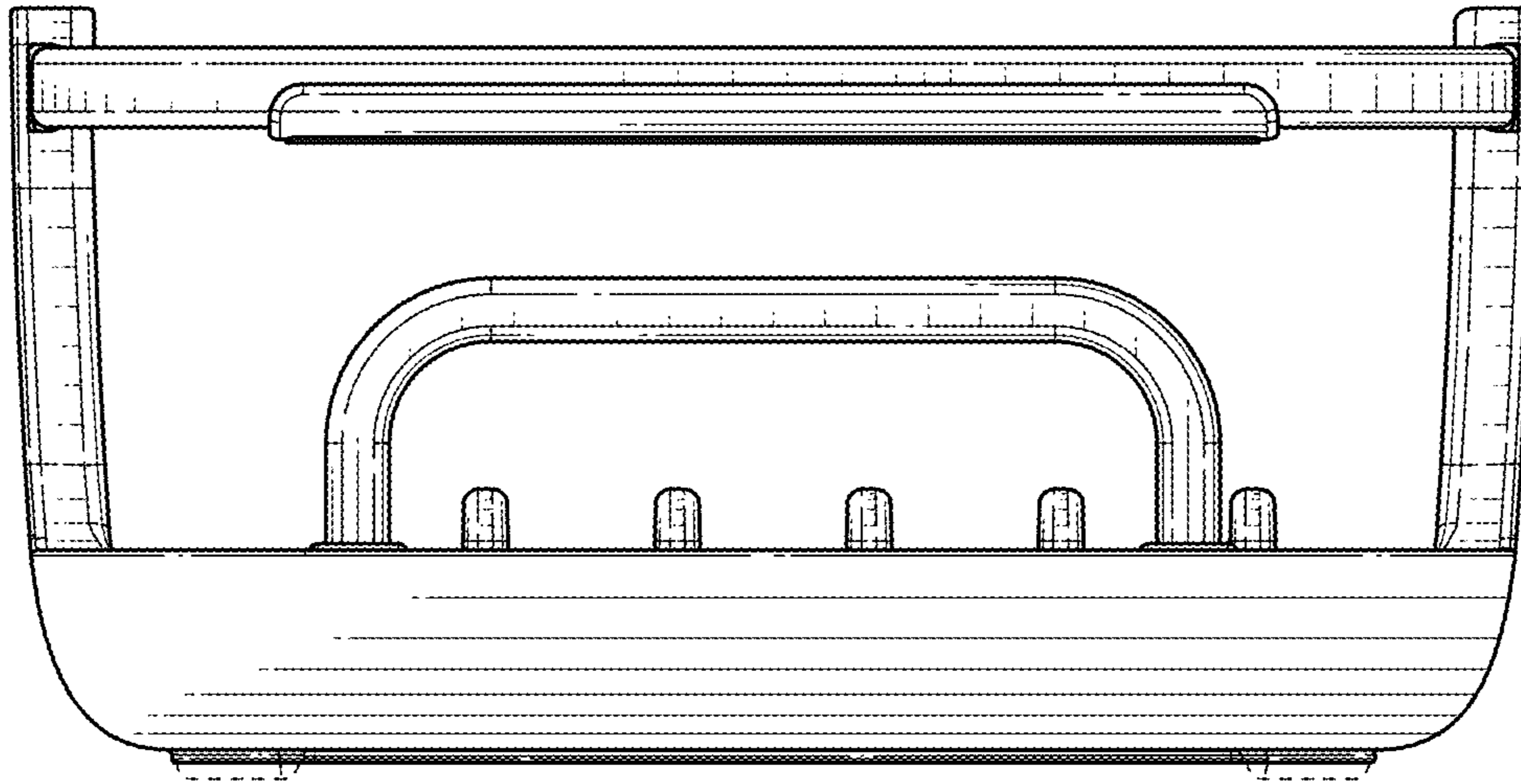


FIG. 4

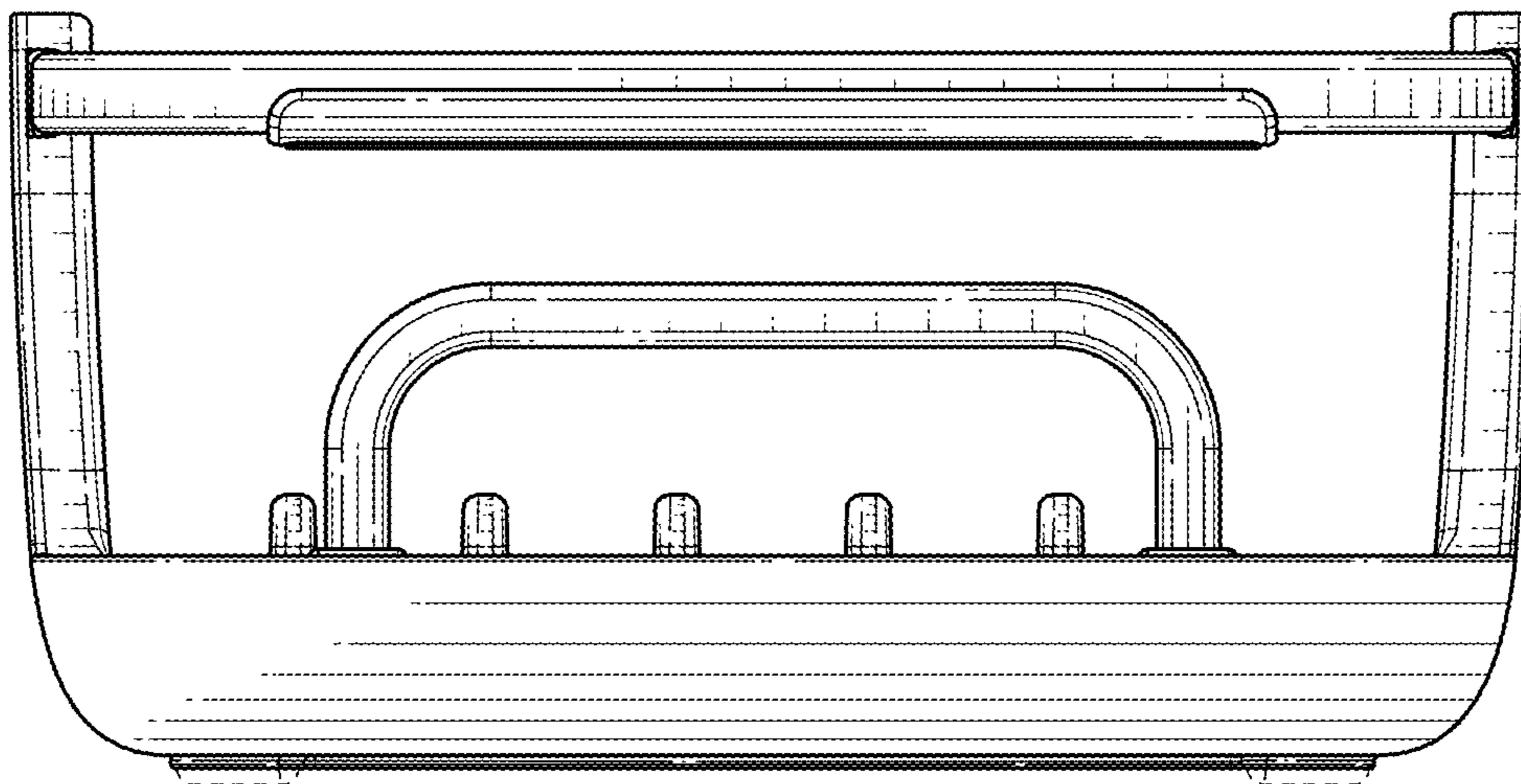


FIG. 5

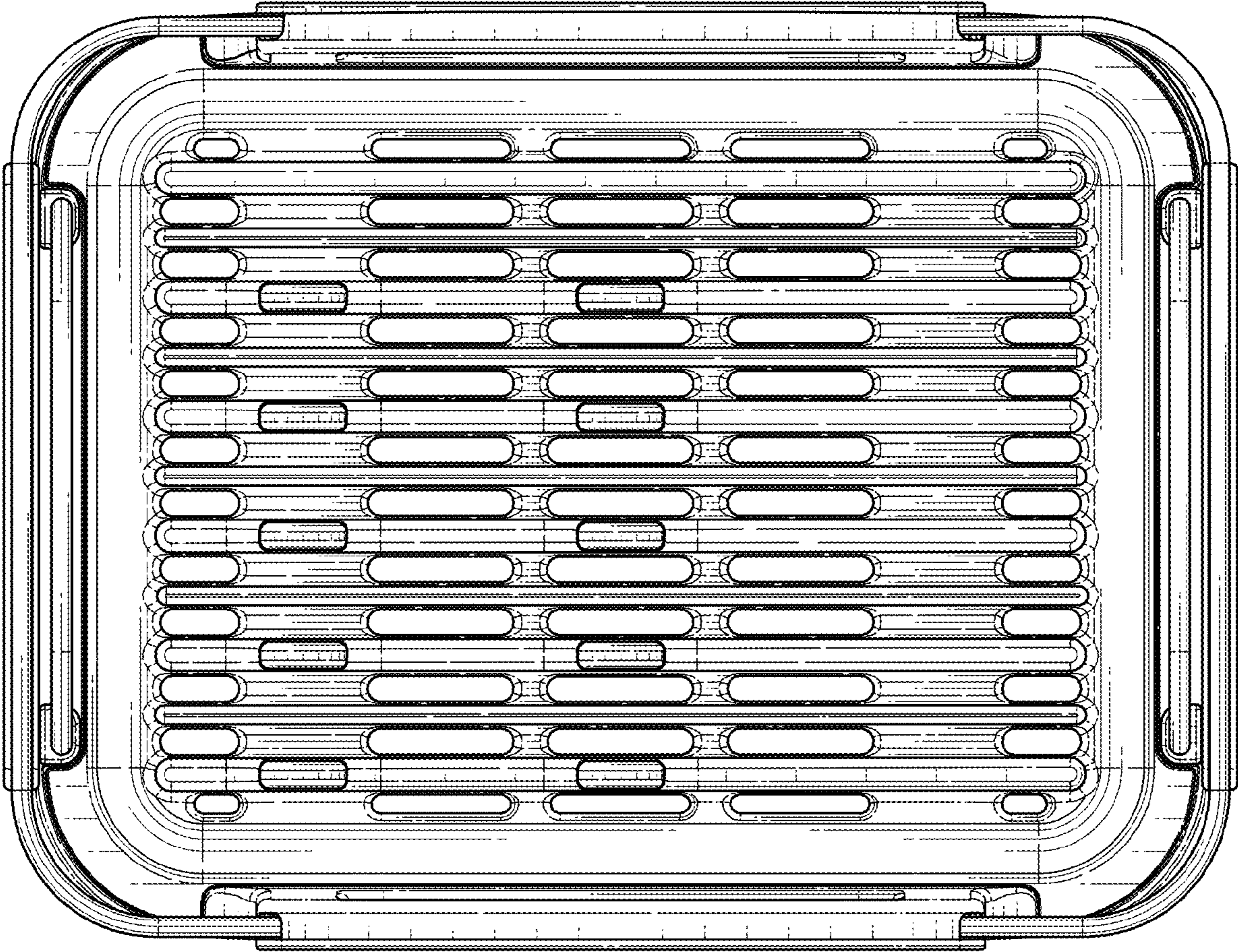


FIG. 6

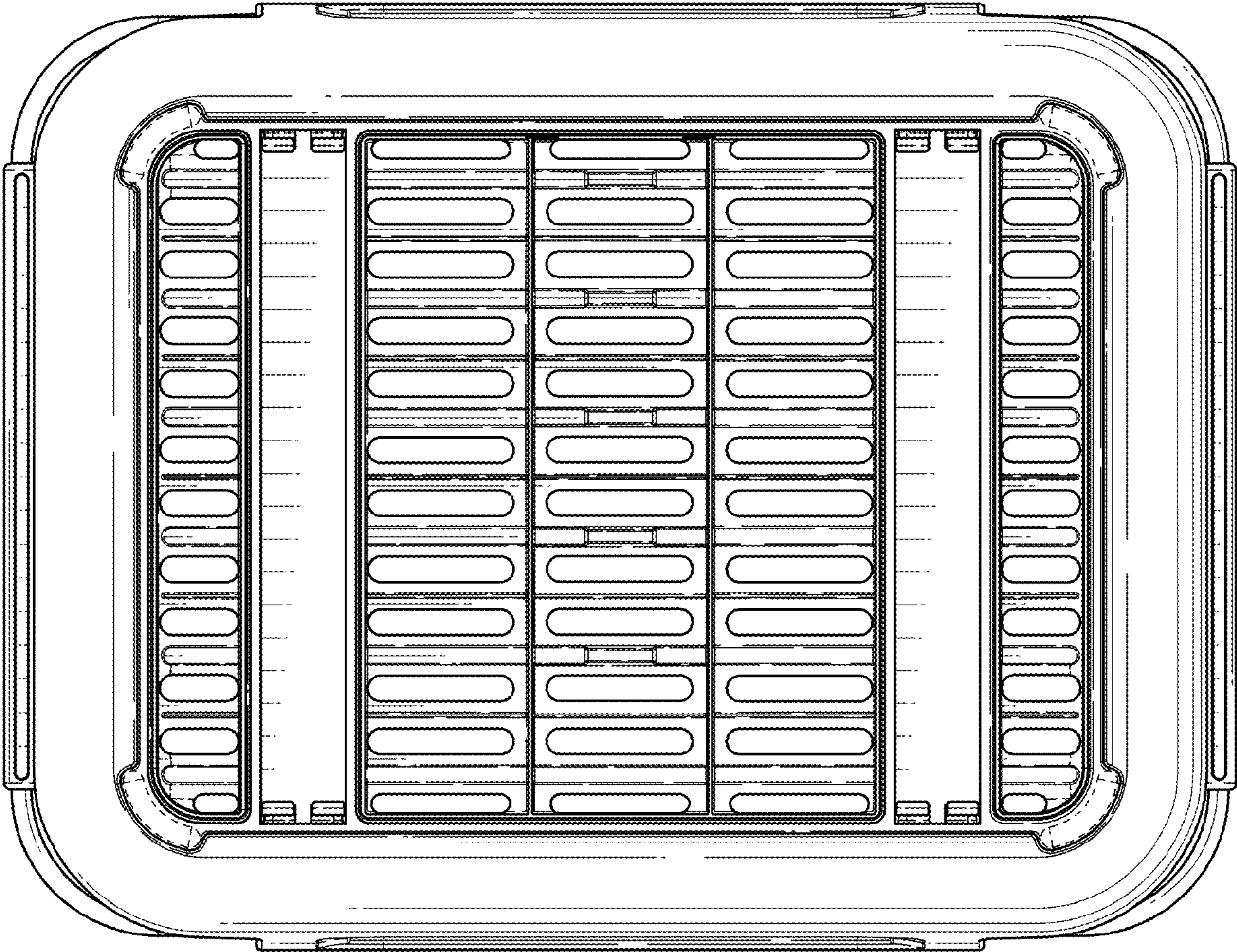


FIG. 7

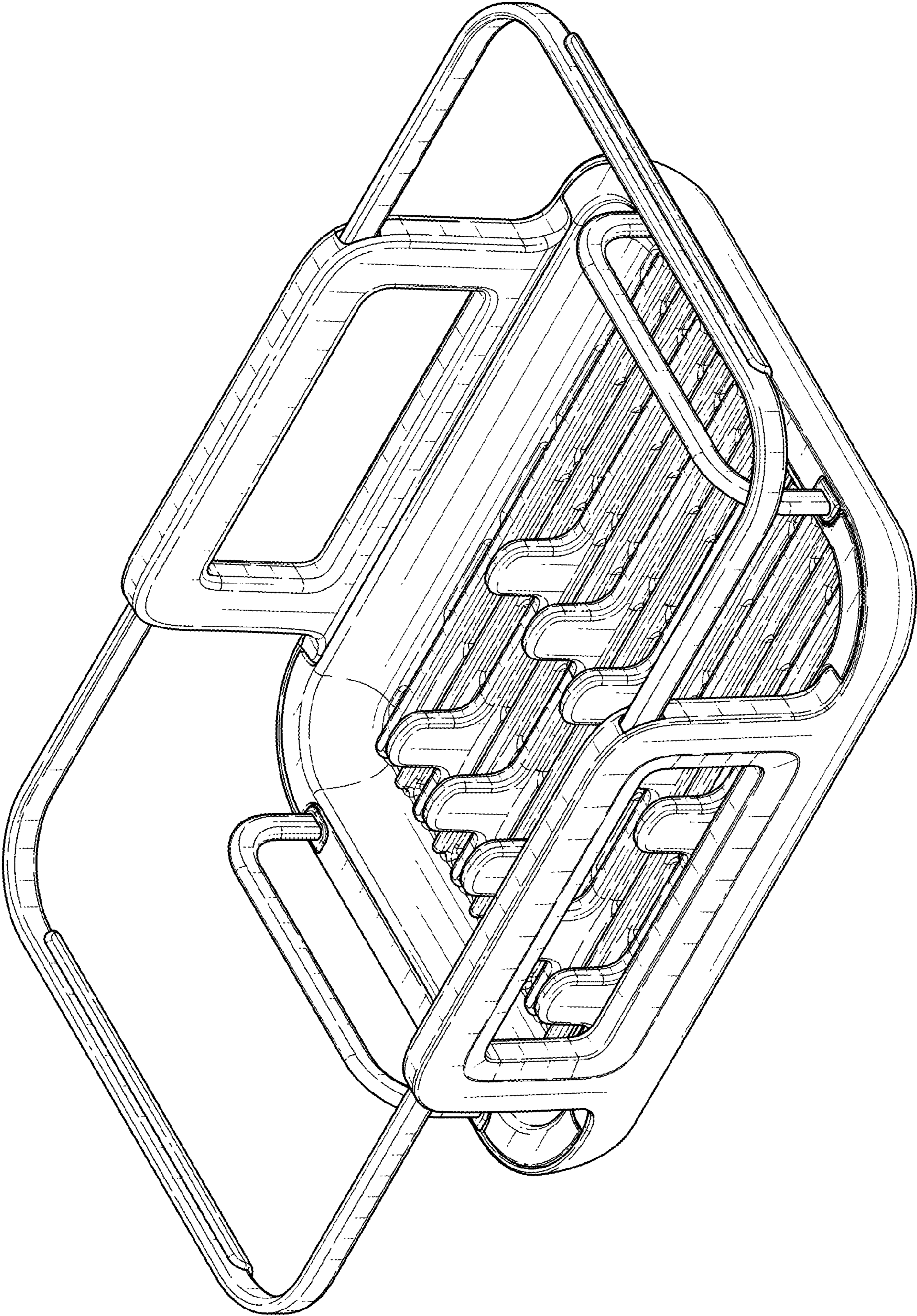


FIG. 8