



US00D914311S

(12) **United States Design Patent** (10) **Patent No.:** **US D914,311 S**
Wytovicz (45) **Date of Patent:** **** Mar. 23, 2021**

(54) **COMBINED GRILL CLEANER, OILER, AND SEASONER**

(71) Applicant: **Christopher Wytovicz**, Lake Forest Park, WA (US)

(72) Inventor: **Christopher Wytovicz**, Lake Forest Park, WA (US)

(**) Term: **15 Years**

(21) Appl. No.: **29/685,206**

(22) Filed: **Mar. 27, 2019**

(51) **LOC (13) Cl.** **07-05**

(52) **U.S. Cl.**
USPC **D32/46**

(58) **Field of Classification Search**
USPC D32/40–43, 45–46, 68, 50–52
CPC ... A47L 11/40; A47L 1/08; A47L 1/00; A47L 13/12; A47L 13/10; B44D 3/16; A47G 19/00; A47G 19/24

See application file for complete search history.

(56) **References Cited**

U.S. PATENT DOCUMENTS

3,643,838	A *	2/1972	Allen	A47G 19/24 222/161
3,742,547	A	7/1973	Sohmer		
5,090,085	A *	2/1992	Jarecki	B05C 17/0222 15/248.2
6,023,810	A	2/2000	Gessert		
D465,090	S *	11/2002	Robinson	D4/122
6,745,428	B2 *	6/2004	MacLean	A46B 7/04 15/111
D523,198	S *	6/2006	Veltrop	D32/49
D523,601	S *	6/2006	Veltrop	D32/49
D549,834	S *	8/2007	Huang	D24/211
7,621,234	B2 *	11/2009	Roy	A01K 13/002 119/613
7,861,357	B1	1/2011	Porter		
8,006,648	B1 *	8/2011	Sourwine	A01K 13/002 119/609

D652,869	S *	1/2012	Dancsecs	D19/65
D661,491	S *	6/2012	Bunnag	D4/122
D671,747	S *	12/2012	Guyton	D4/122
D678,542	S *	3/2013	Bickford	D24/211
8,806,698	B2 *	8/2014	Enders	A47J 37/0786 15/111
D750,335	S *	2/2016	Fletcher	D32/46
D758,684	S *	6/2016	Lawson	D32/48
D796,925	S *	9/2017	Hsieh	D8/33
D814,802	S *	4/2018	Arvinte	D4/122

(Continued)

OTHER PUBLICATIONS

5 in 1 Barbecue Tool | World Market, reviews 2018. site visited Jan. 30, 2020, https://www.worldmarket.com/...ative=147293899102&device=c&matchtype=&network=g&gclid=EAlalQobChMliOngoOas5wIvHZOzCh2zTQKPEAQYAyABEgJ5xfD_BwE&gclsrc=aw.ds.*

Primary Examiner — John R Yeh

(74) *Attorney, Agent, or Firm* — Wooshik Shim; Thomas E. LaGrandeur; Bold IP, PLLC

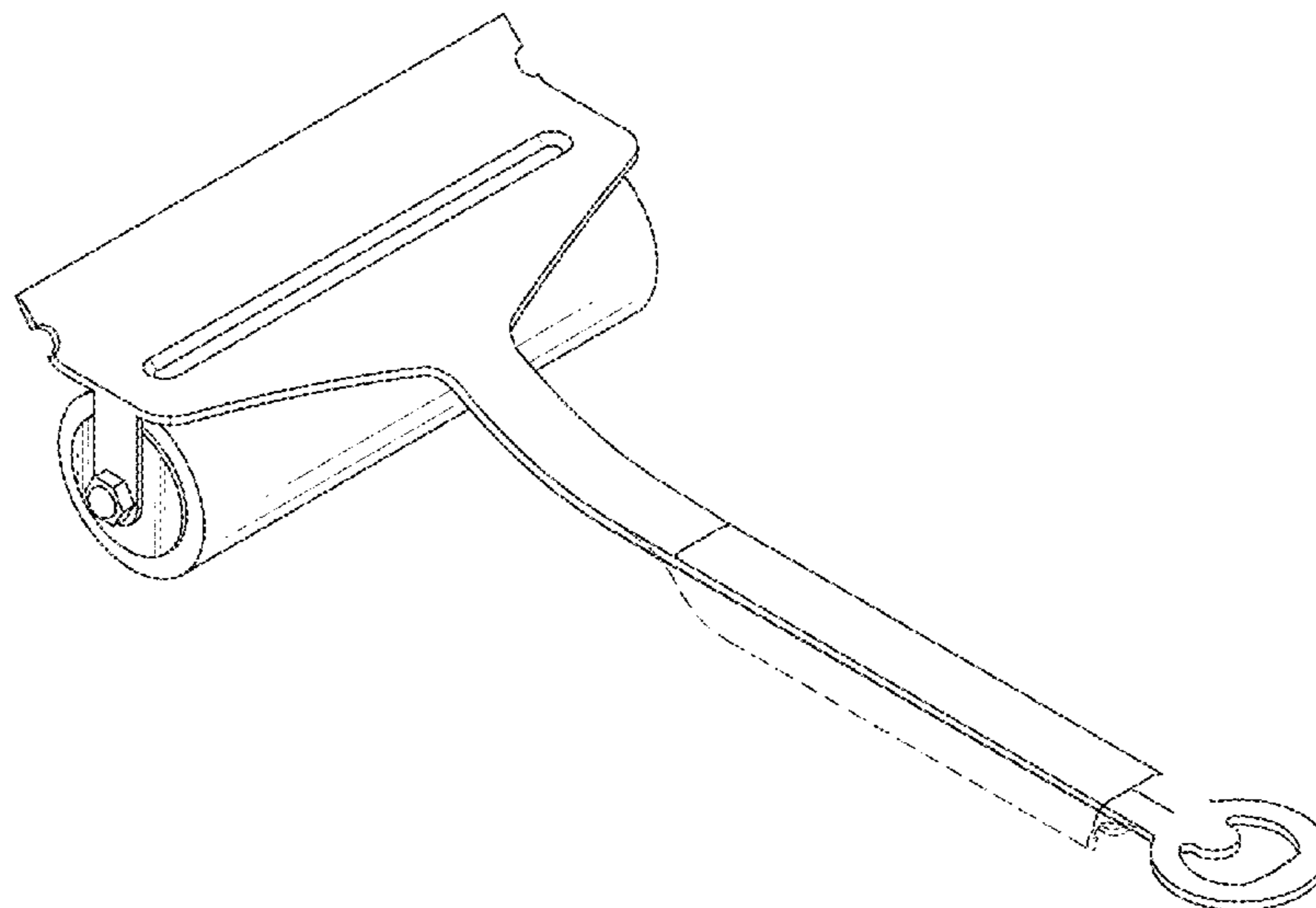
(57) **CLAIM**

The ornamental design for a combined grill cleaner, oiler, and seasoner, as shown and described.

DESCRIPTION

FIG. 1 is a front-top perspective view of a combined grill cleaner, oiler, and seasoner;
FIG. 2 is a front-bottom perspective view thereof;
FIG. 3 is a front view thereof, the rear view thereof being a mirror image of the front view;
FIG. 4 is a top view thereof;
FIG. 5 is a left view thereof;
FIG. 6 is a right view thereof; and,
FIG. 7 is a bottom view thereof.
The broken lines in the figures illustrate portions of the combined grill cleaner, oiler, and seasoner which form no part of the claimed design.

1 Claim, 7 Drawing Sheets



(56)

References Cited

U.S. PATENT DOCUMENTS

9,943,885	B1	4/2018	Rosenberger	
D841,176	S *	2/2019	Gaquiere	D24/211
D843,522	S *	3/2019	Miklavc	D21/692
D850,042	S *	5/2019	Blake	D32/46
2004/0261581	A1 *	12/2004	Merrick	B67B 7/066
				81/3.55
2008/0172825	A1 *	7/2008	Weiss	A46B 5/0095
				15/389

* cited by examiner

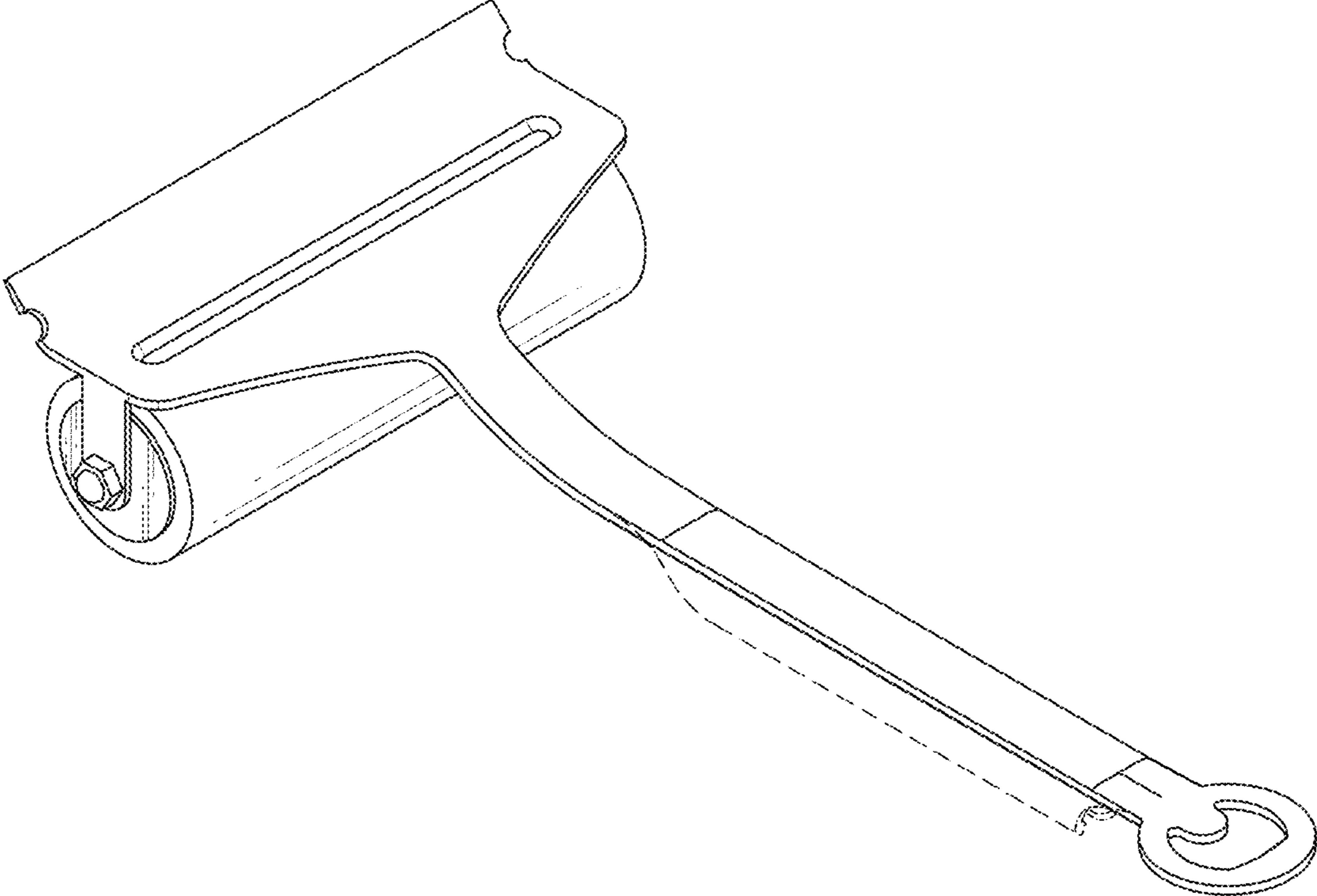


FIG. 1

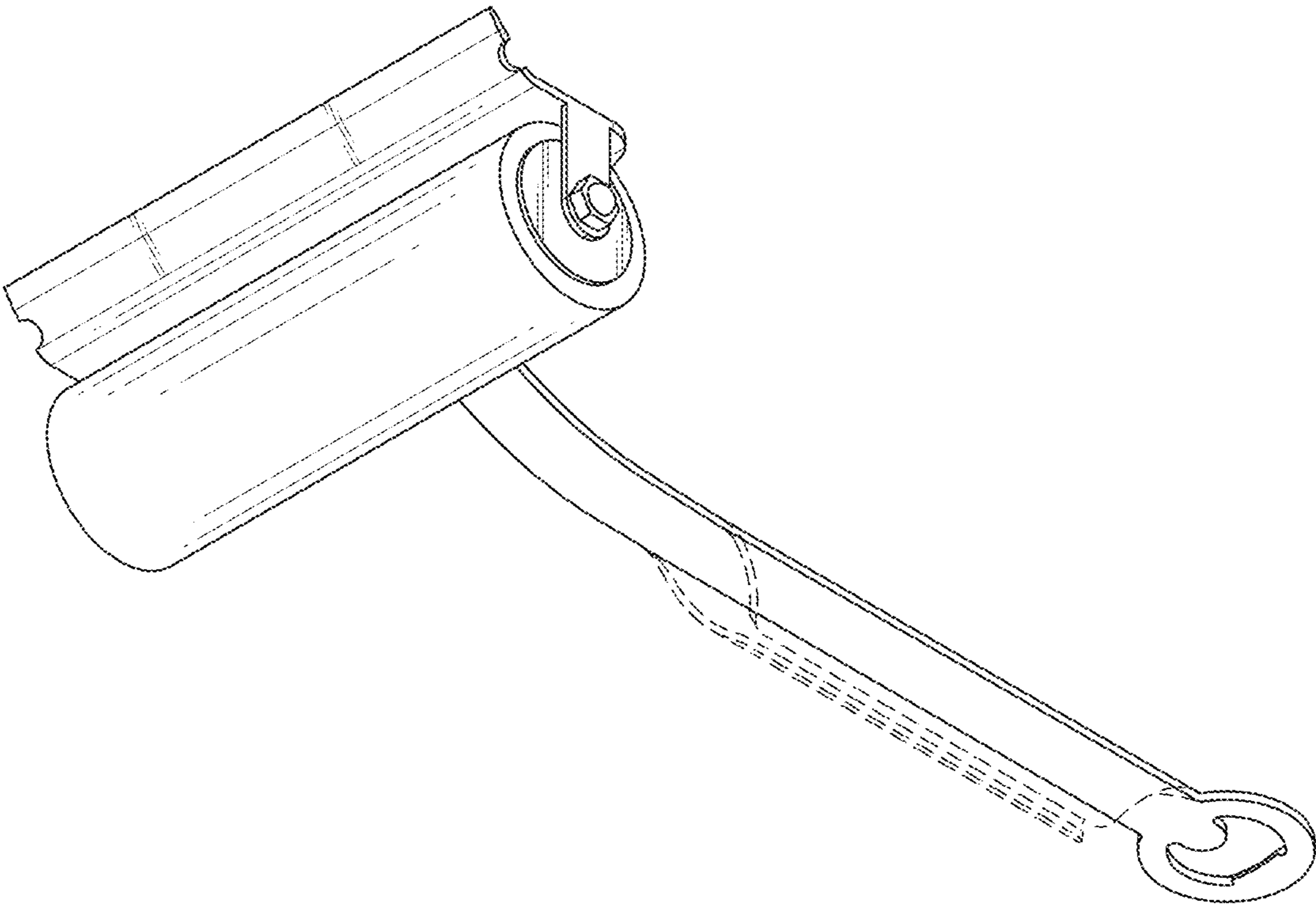


FIG. 2

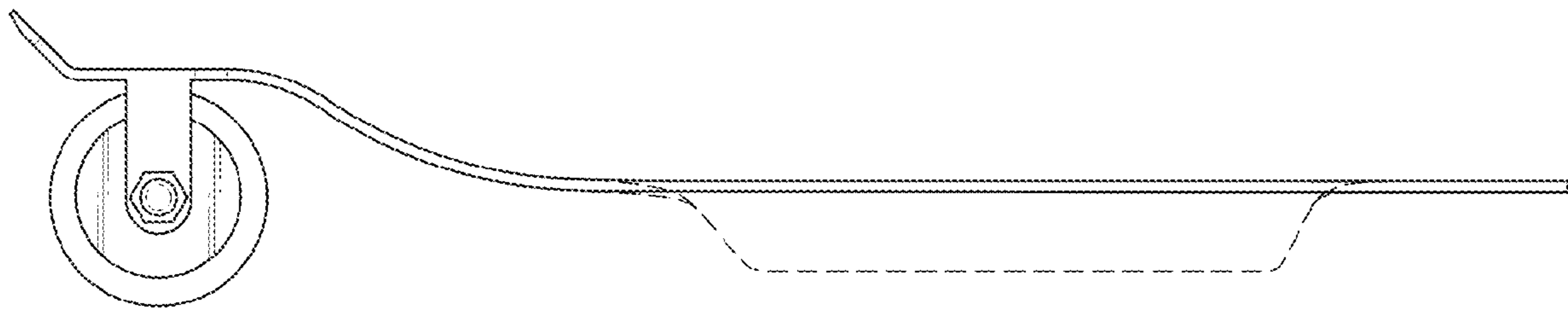


FIG. 3

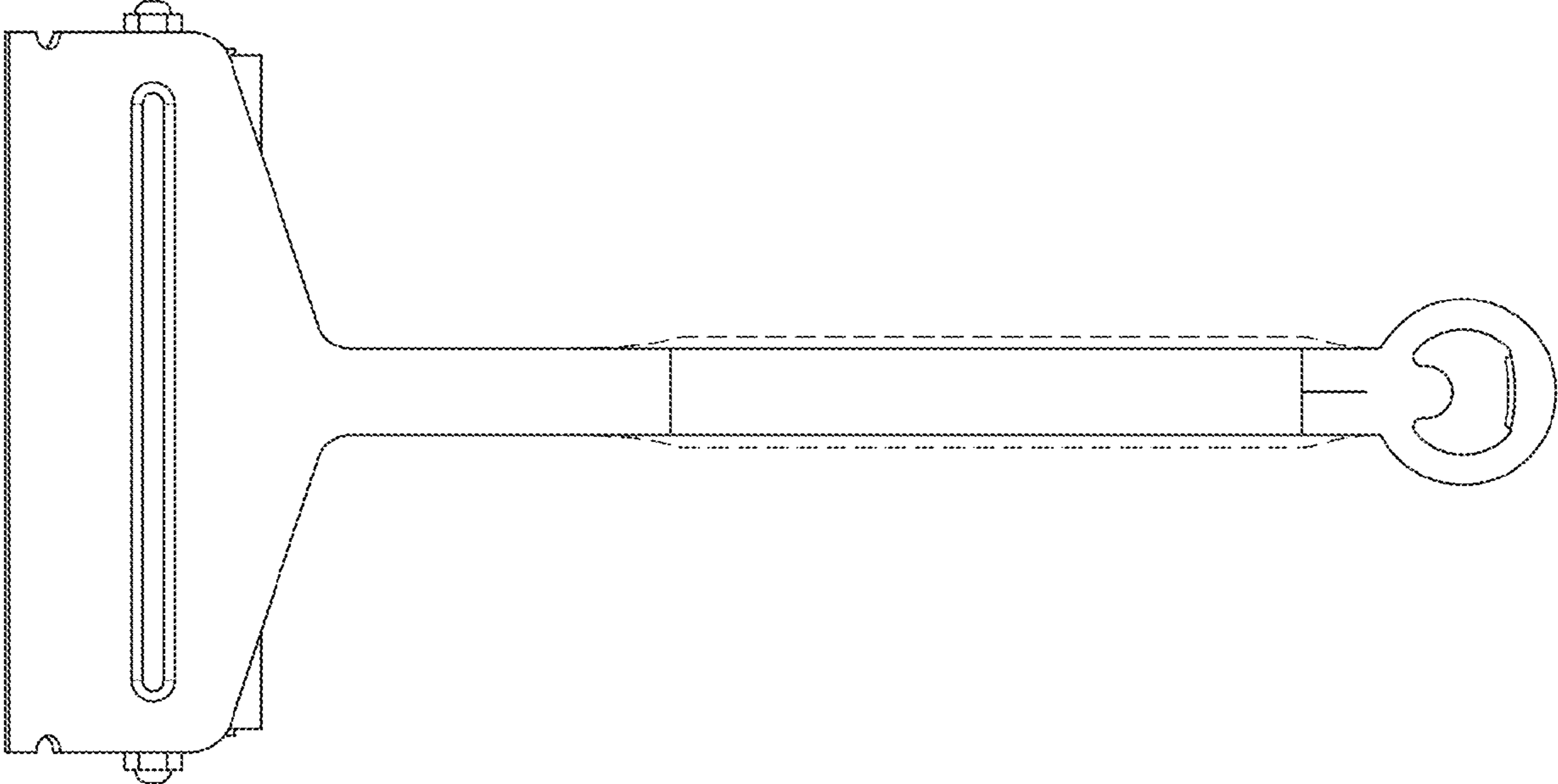


FIG. 4

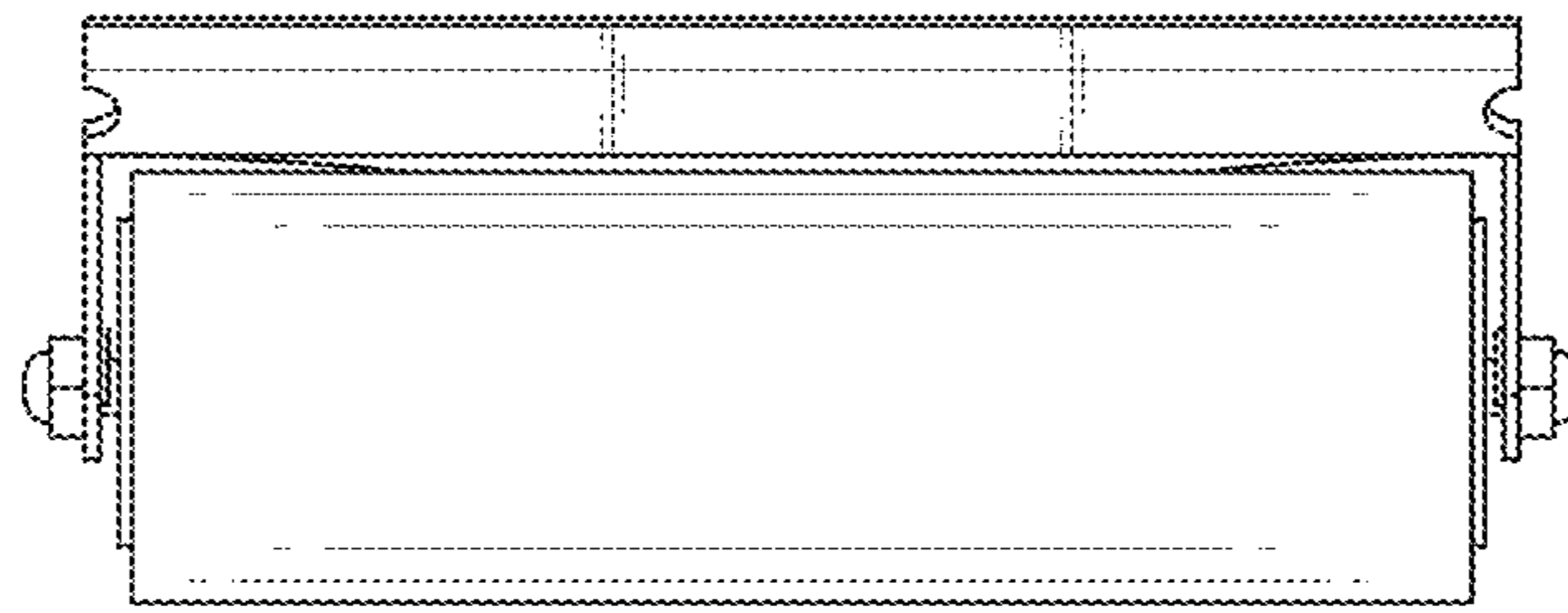


FIG. 5

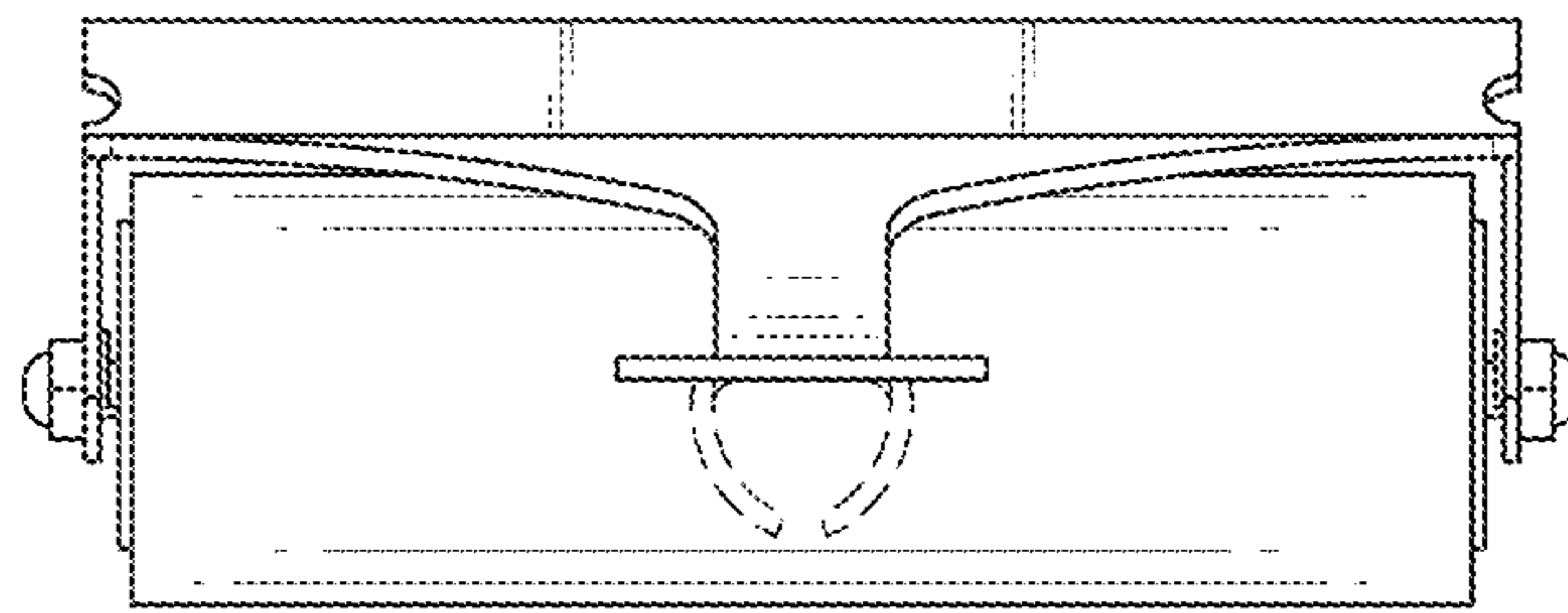


FIG. 6

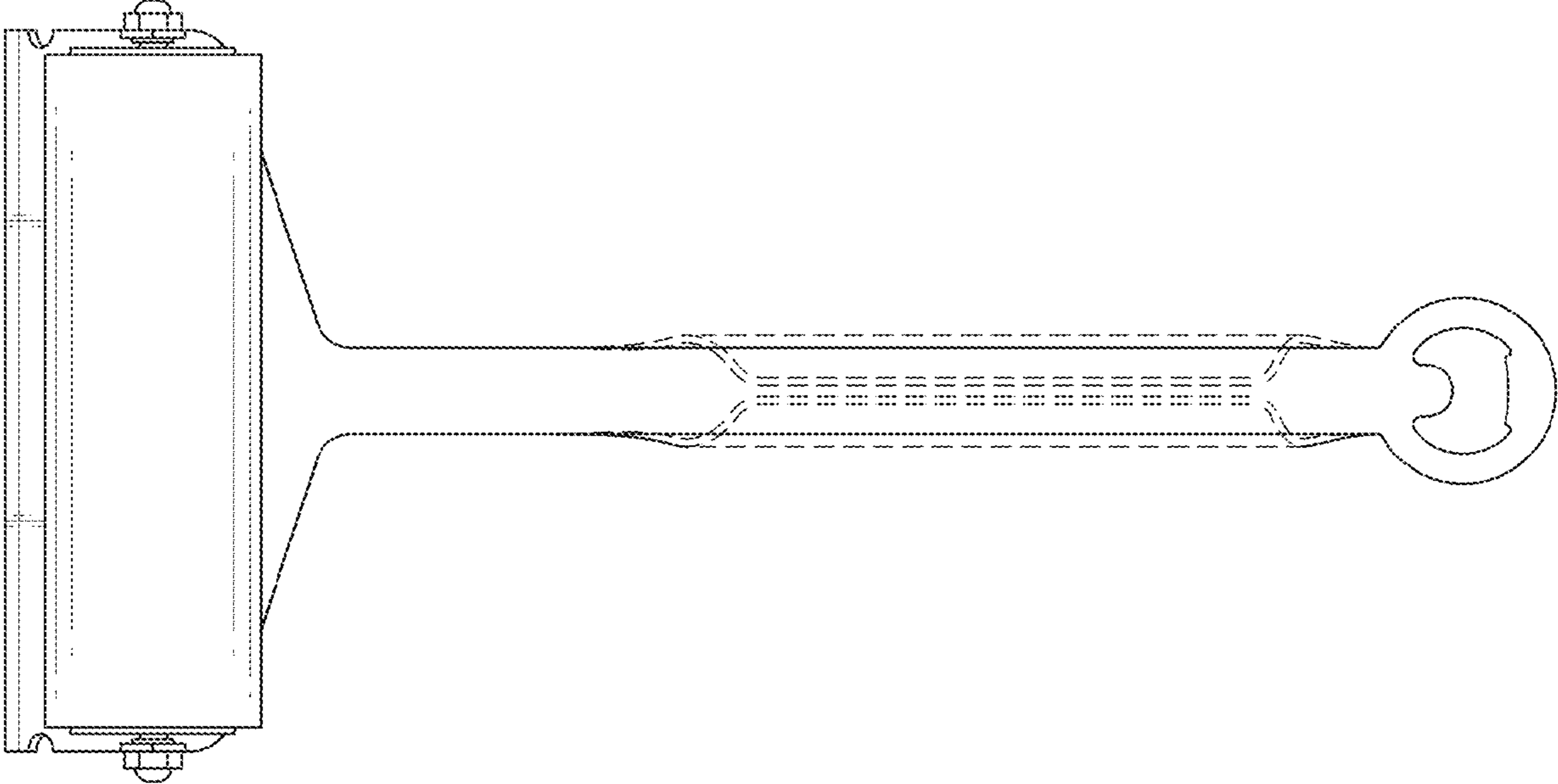


FIG. 7