



US00D914308S

(12) **United States Design Patent** (10) **Patent No.:** **US D914,308 S**
Fitzsimmons et al. (45) **Date of Patent:** **** Mar. 23, 2021**

(54) **UPRIGHT CYLINDRICAL PRE-SEPARATOR FOR DUST COLLECTOR**

6,679,930 B1 * 1/2004 An A47L 9/1608
55/337
D527,852 S * 9/2006 Tsai D32/21
D703,401 S * 4/2014 Hill D32/31

(71) Applicants: **John J. Fitzsimmons**, Clay, NY (US);
Robert M. Witter, Englewood, FL (US);
Jeffrey Hill, Cicero, NY (US);
Kyle W. Groening, Syracuse, NY (US);
Joseph Baldwin, Syracuse, NY (US)

(Continued)

(72) Inventors: **John J. Fitzsimmons**, Clay, NY (US);
Robert M. Witter, Englewood, FL (US);
Jeffrey Hill, Cicero, NY (US);
Kyle W. Groening, Syracuse, NY (US);
Joseph Baldwin, Syracuse, NY (US)

OTHER PUBLICATIONS

https://www.amazon.com/Grizzly-Industrial-Portable-Cyclone-Collector/dp/B07K1YTJZD/ref=sr_1_25?dchild=1&keywords=upright+cylindrical+pre-separator+dust+collector&qid=1603136693&s=hi&sr=1-25 (Year: 2020).*

(Continued)

(73) Assignee: **Oneida Air Systems, Inc.**, Syracuse, NY (US)

Primary Examiner — Michelle E. Wilson
Assistant Examiner — Richard E Yenchesky

(**) Term: **15 Years**

(74) *Attorney, Agent, or Firm* — Bernhard P. Molldrem, Jr.

(21) Appl. No.: **29/701,228**

(57) **CLAIM**

The ornamental design for an upright cylindrical pre-separator for dust collector, as shown and described.

(22) Filed: **Aug. 9, 2019**

DESCRIPTION

(51) **LOC (13) Cl.** **15-05**

(52) **U.S. Cl.**
USPC **D32/31**

(58) **Field of Classification Search**
USPC D32/17-25
CPC .. B05B 15/52; B01D 50/002; B01D 46/0045;
B01D 45/16; B01D 46/003; A47L 5/34;
A47L 9/1608

See application file for complete search history.

FIG. 1 is a perspective view of the upright cylindrical pre-separator for dust collector, showing our new design. FIG. 2 is a right side elevation view thereof. FIG. 3 is a top plan view thereof. FIG. 4 is a front elevation view thereof. FIG. 5 is a left side elevation view thereof; FIG. 6 is a rear side elevation thereof; and, FIG. 7 is an environmental view thereof, showing the dust-preseparator of our design associated with a main dust separator.

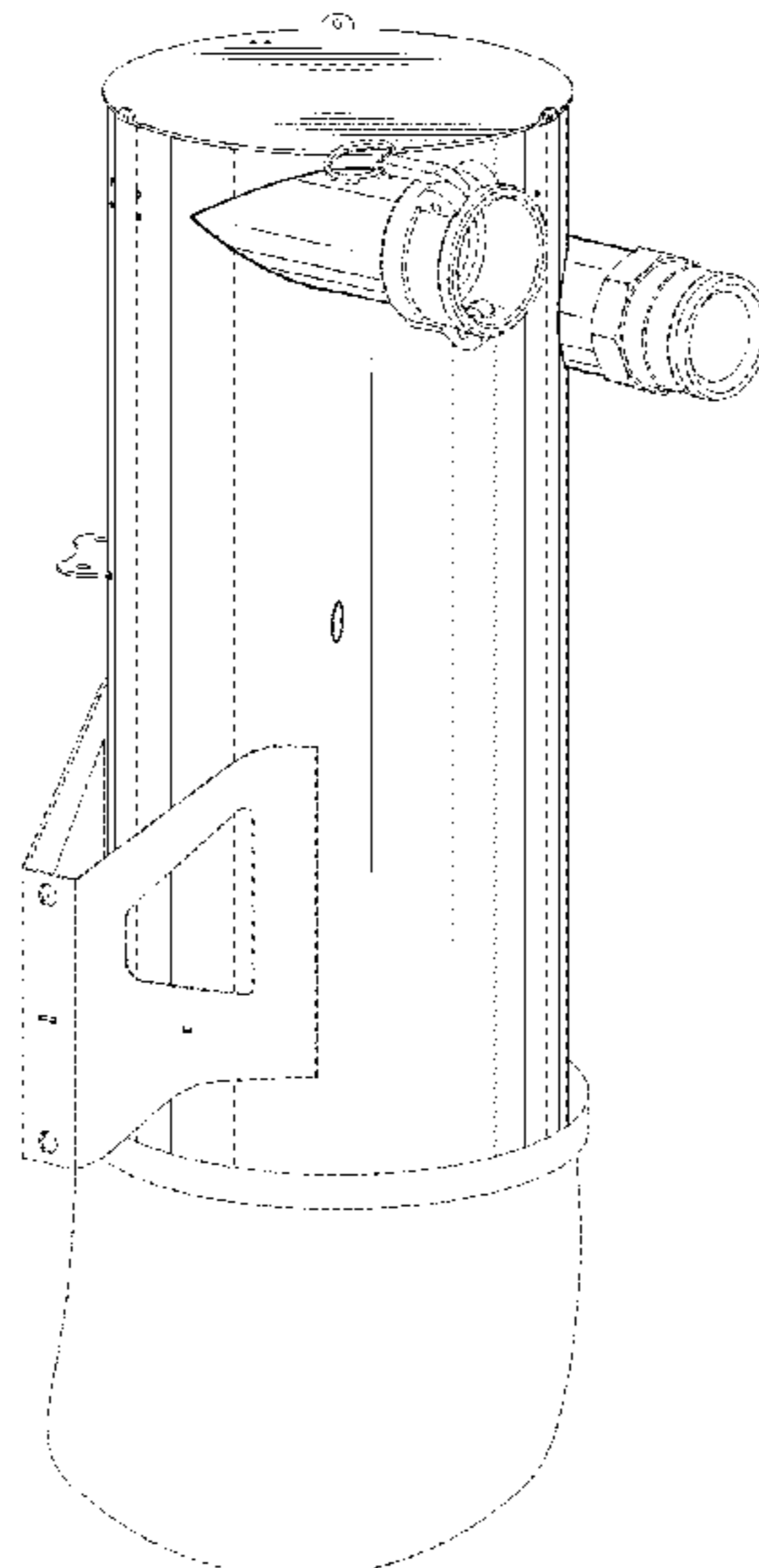
The bottom of the pre-separator is plain and unadorned, and forms no part of our design. The main dust separator including motor shroud, cyclone, dust bag assembly, cart frame, wheels, and suction hose, shown in broken line, and inlet and outlet connector rings, angle bracket, dust collection bag, and bag support band of the dust pre-separator, indicated in broken line, do not form a part of our design.

(56) **References Cited**

U.S. PATENT DOCUMENTS

6,129,775 A * 10/2000 Conrad A47L 9/1608
55/337
6,361,576 B1 * 3/2002 Andriola B01D 45/16
55/459.1

1 Claim, 5 Drawing Sheets



(56)

References Cited

U.S. PATENT DOCUMENTS

2001/0005986 A1* 7/2001 Matsubara B04C 5/103
55/459.1
2004/0187449 A1* 9/2004 Witter B04C 9/00
55/337
2011/0203238 A1* 8/2011 Witter B01D 46/0093
55/356
2012/0180662 A1* 7/2012 Missalla B04C 5/13
95/271
2014/0250625 A1* 9/2014 Huang B01D 45/16
15/353
2018/0339257 A1* 11/2018 Cheng B01D 46/0045
2018/0345200 A1* 12/2018 Cheng B01D 50/002
2019/0133393 A1* 5/2019 Cheng A47L 5/34
2019/0336904 A1* 11/2019 Choi B05B 15/52

OTHER PUBLICATIONS

https://www.amazon.com/Oneida-Air-Systems-Deputy-Deluxe/dp/B06Y37FF9D/ref=pd_di_scai_3/141-0477245-4416008 (Year: 2020)*

* cited by examiner

FIG.1

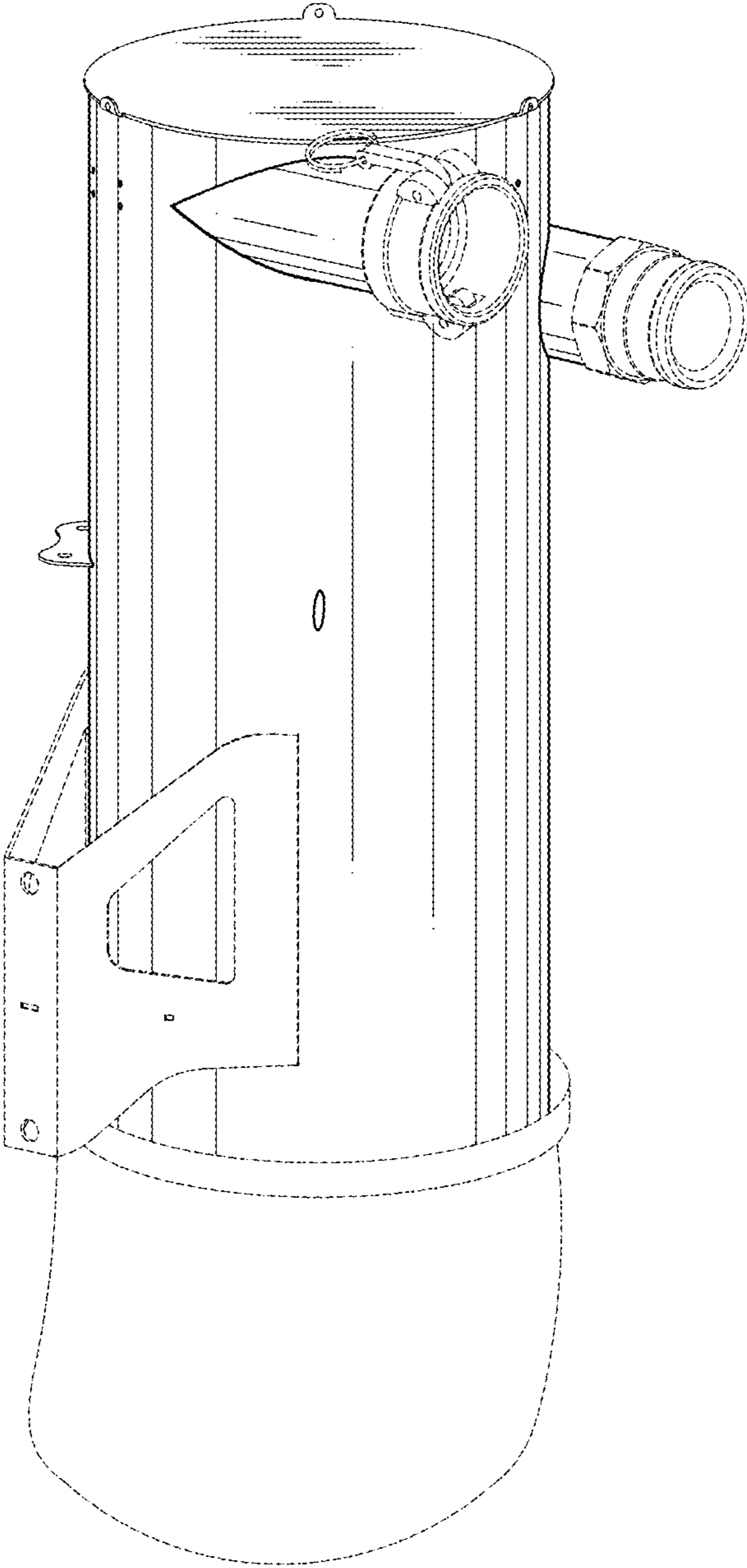


FIG.3

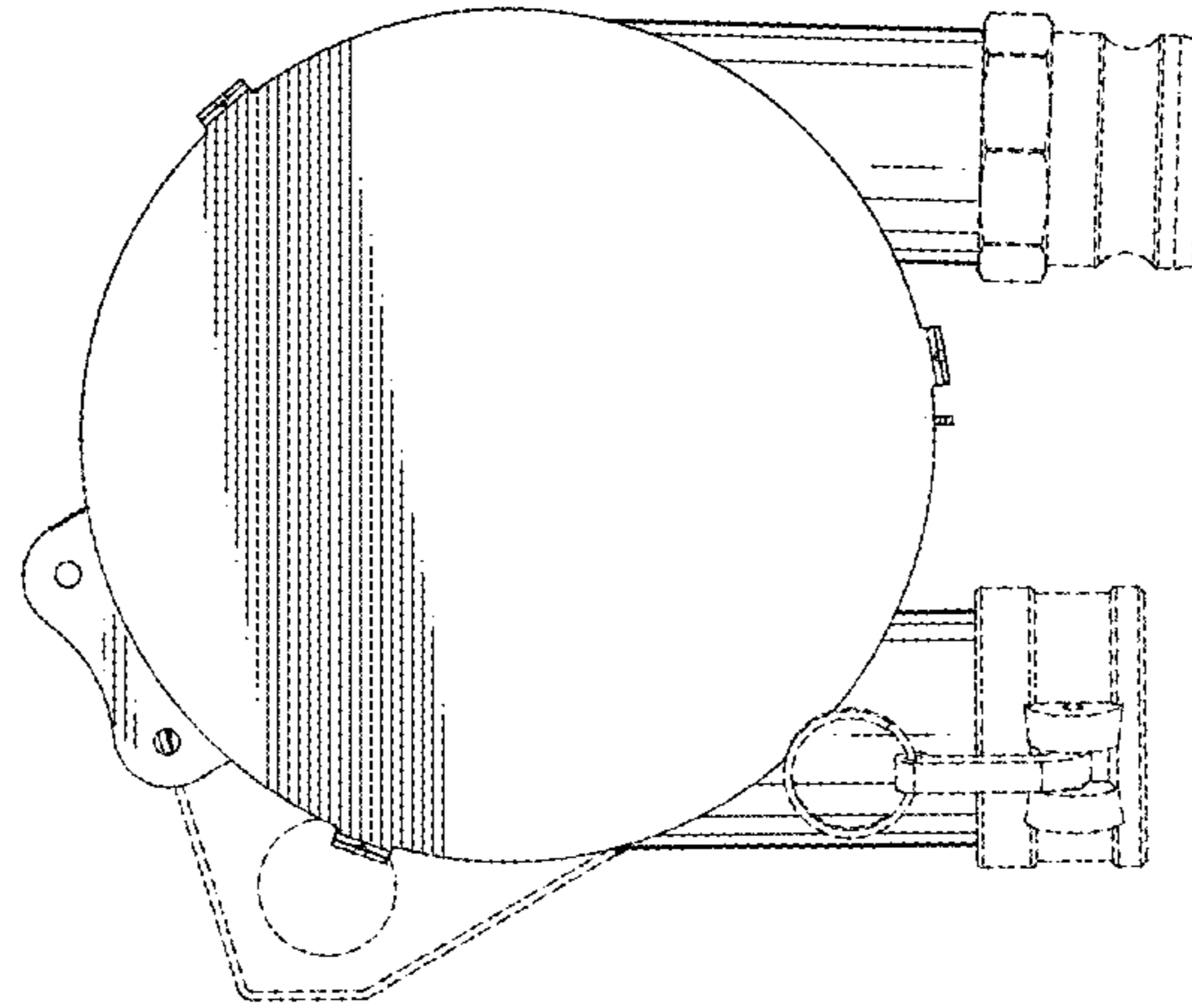
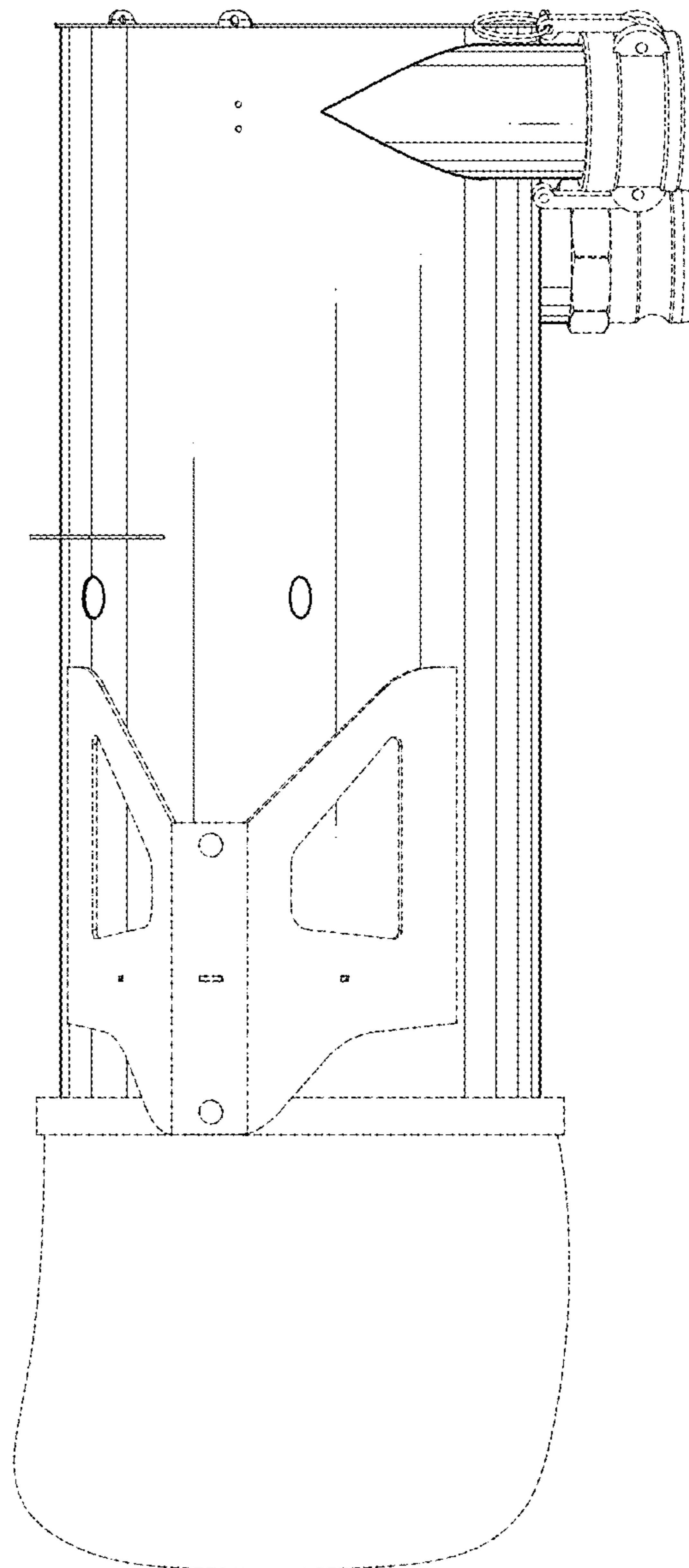


FIG.2



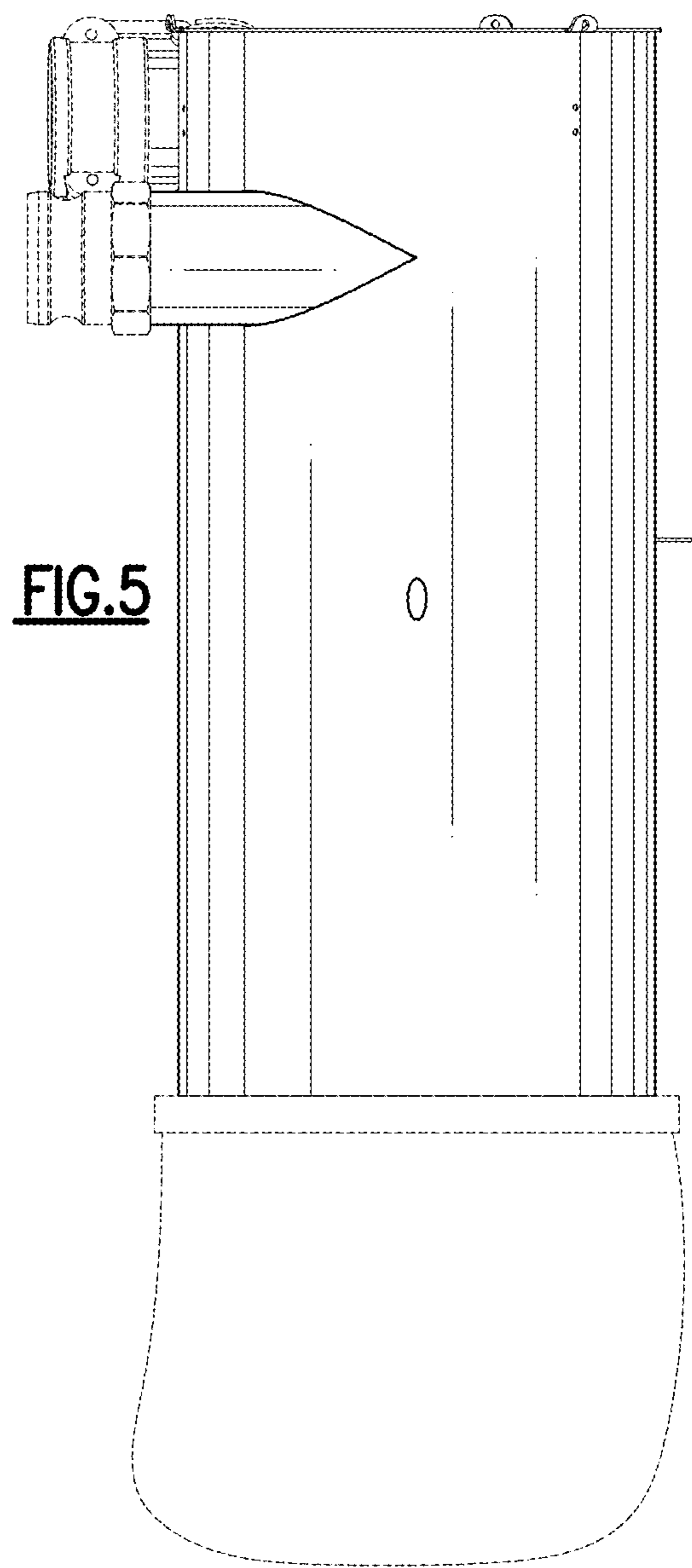
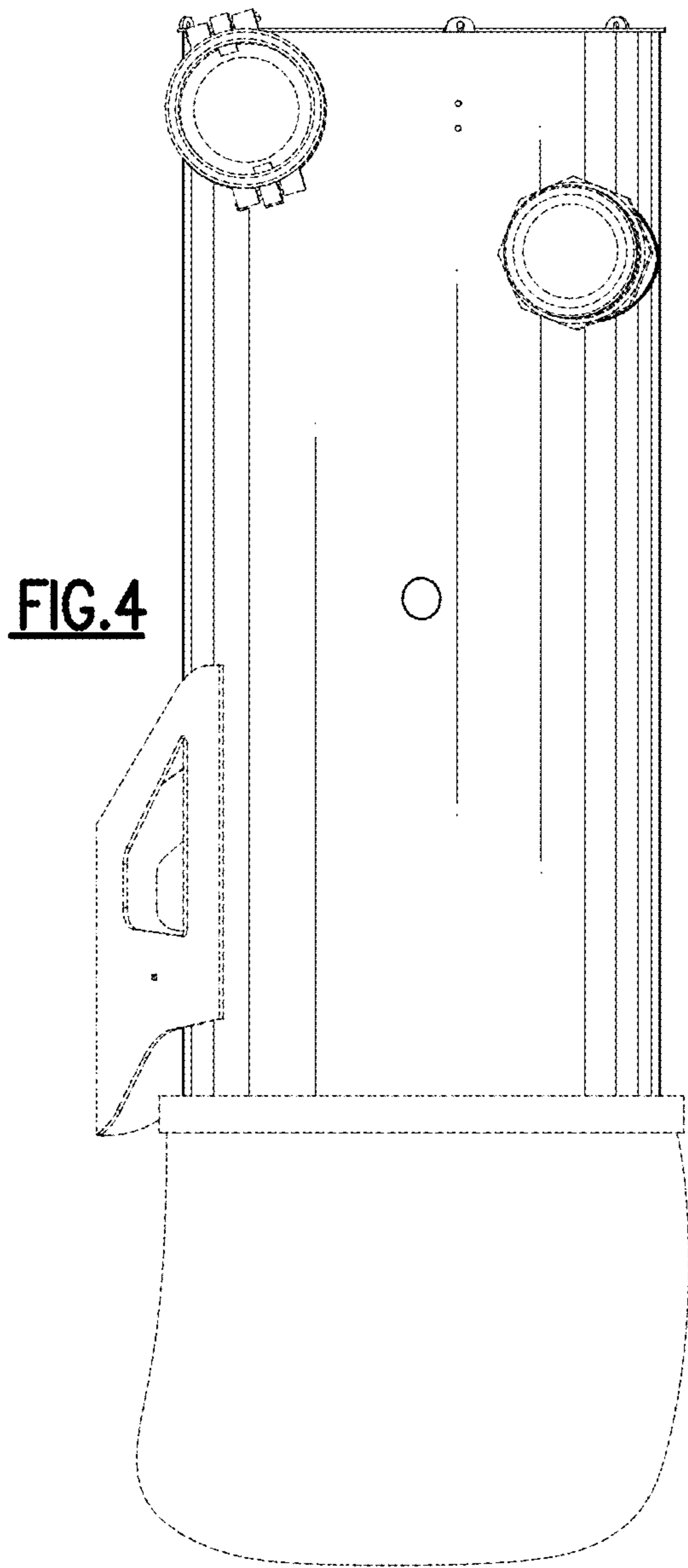
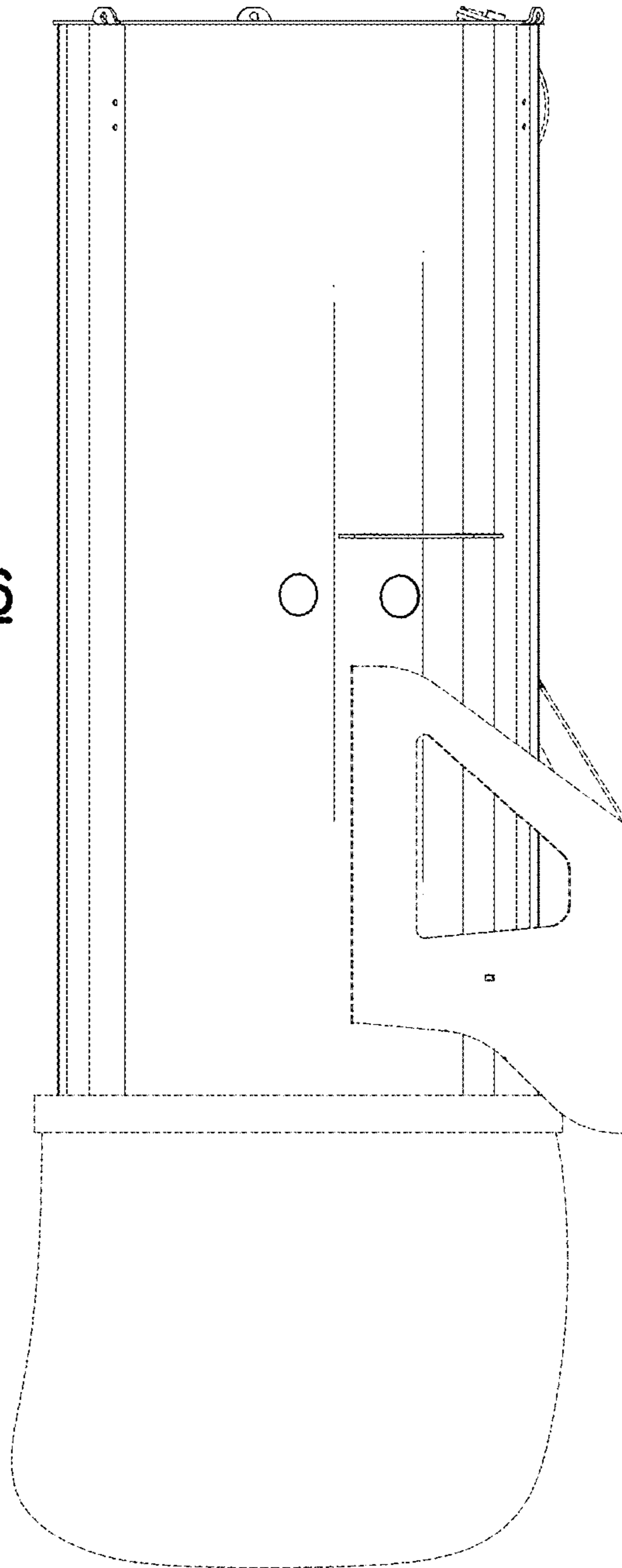


FIG.6



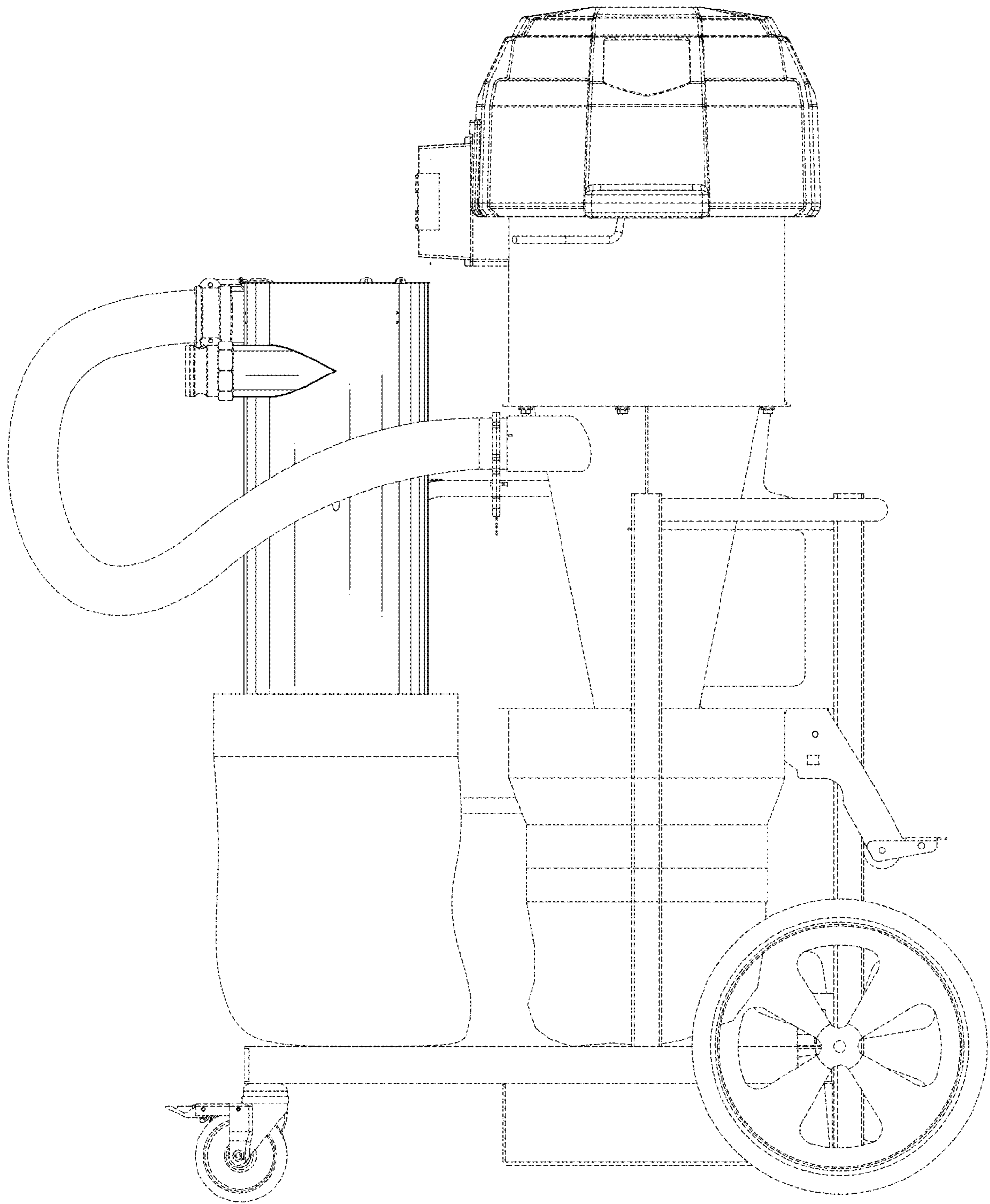


FIG. 7