



US00D914305S

(12) **United States Design Patent** (10) **Patent No.:** **US D914,305 S**  
**Yoon et al.** (45) **Date of Patent:** **\*\* Mar. 23, 2021**

(54) **DISHWASHER**

FOREIGN PATENT DOCUMENTS

(71) Applicant: **Samsung Electronics Co., Ltd.**,  
Suwon-si (KR)

CN 302497340 \* 7/2013  
EM 002150698-0001 12/2012

(Continued)

(72) Inventors: **Se Lim Yoon**, Suwon-si (KR); **Jun Kyo Lee**, Suwon-si (KR); **Jae Jun Kim**, Suwon-si (KR)

OTHER PUBLICATIONS

Dishwashers | Stainless Steel & Energy Efficient, Samsung website 2020, <https://www.samsung.com/us/home-appliances/dishwashers/all-dishwashers/>, site visited Jun. 11, 2020.\*

(73) Assignee: **Samsung Electronics Co., Ltd.**,  
Suwon-si (KR)

*Primary Examiner* — John R Yeh

(\*\*) Term: **15 Years**

(74) *Attorney, Agent, or Firm* — NSIP Law

(21) Appl. No.: **29/694,442**

(57) **CLAIM**

(22) Filed: **Jun. 11, 2019**

We claim the ornamental design for a dishwasher, as shown and described.

(30) **Foreign Application Priority Data**

**DESCRIPTION**

Dec. 12, 2018 (KR) ..... 30-2018-0058630

(51) **LOC (13) Cl.** ..... **15-05**

(52) **U.S. Cl.**  
USPC ..... **D32/2**

(58) **Field of Classification Search**  
USPC ..... D32/2-3, 5-7, 12-13, 25-29.1, 30  
CPC ..... A47L 15/42; A47L 15/00; B65D 47/06;  
D06F 23/06; D06F 37/26  
See application file for complete search history.

FIG. 1 is a front perspective view of a dishwasher showing our new design;  
FIG. 2 is a front view thereof;  
FIG. 3 is a rear view thereof;  
FIG. 4 is a left-side view thereof;  
FIG. 5 is a right-side view thereof;  
FIG. 6 is a top view thereof;  
FIG. 7 is a bottom view thereof;  
FIG. 8 is an enlarged view of the portion 8 in FIG. 1;  
FIG. 9 is an enlarged view of the portion 9 in FIG. 1;  
FIG. 10 is an enlarged view of the portion 10 in FIG. 1;  
FIG. 11 is an enlarged view of the portion 11 in FIG. 2; and,  
FIG. 12 is an enlarged view of the portion 12 in FIG. 4.  
The evenly-dashed broken lines in the figures depict portions of the dishwasher which form no part of the claimed design.  
The dot-dash broken lines encircling portions of the claimed design that are illustrated in enlargements form no part of the claimed design.

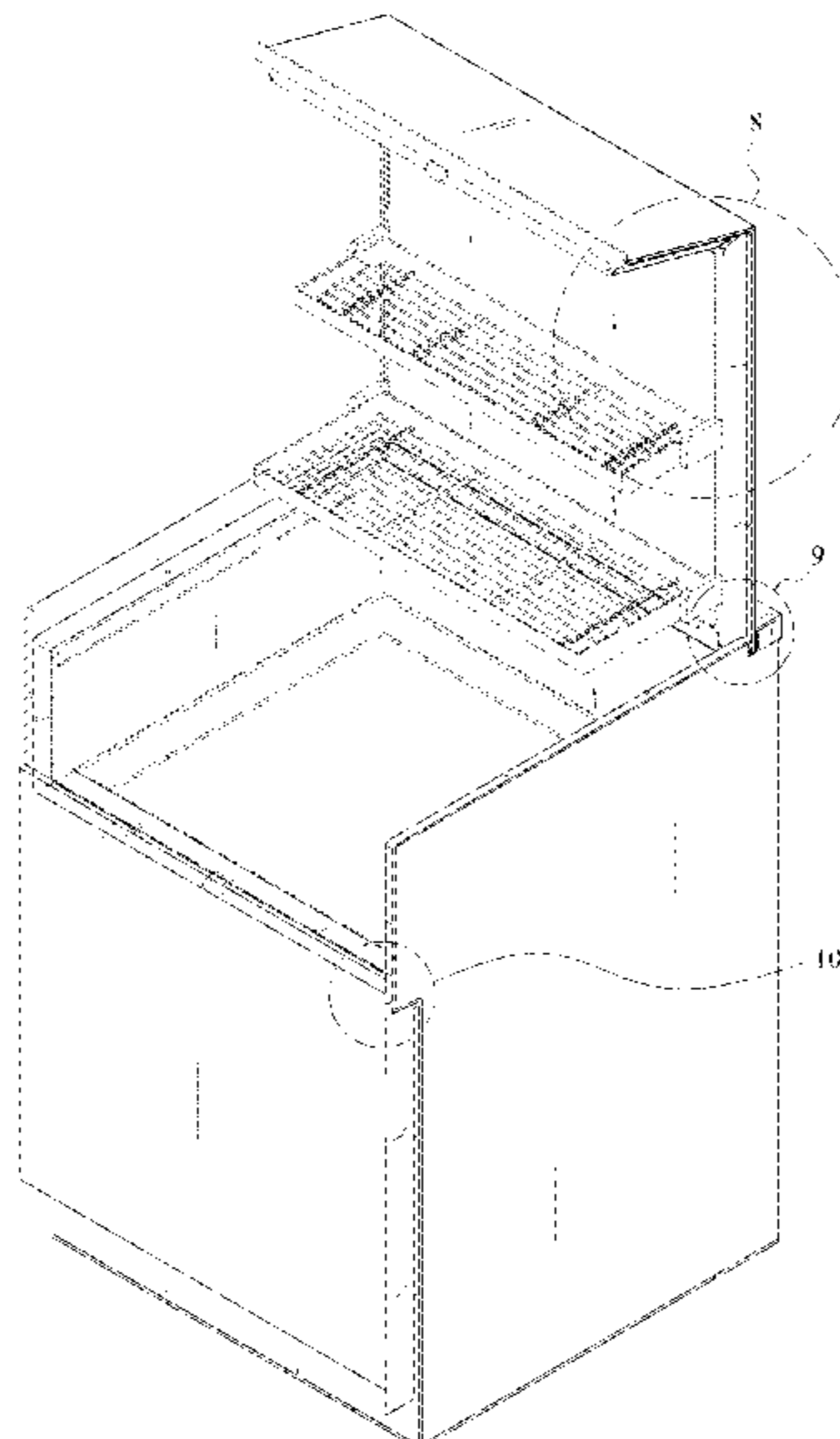
(56) **References Cited**

U.S. PATENT DOCUMENTS

5,365,959 A \* 11/1994 Favaro ..... A47L 15/4257  
134/113  
5,453,586 A \* 9/1995 Stottmann ..... H01H 13/70  
200/302.2  
D493,582 S \* 7/2004 Ott ..... D32/3  
D493,583 S \* 7/2004 Kaczmarek ..... D32/3  
D510,781 S \* 10/2005 Seo ..... D32/2  
D518,249 S \* 3/2006 Seo ..... D32/2

(Continued)

**1 Claim, 12 Drawing Sheets**



(56)

**References Cited**

U.S. PATENT DOCUMENTS

7,201,175	B2 *	4/2007	DeBoer	.....	A47L 15/0086
					134/115 R
D543,321	S *	5/2007	Jeon	.....	D32/2
D549,404	S *	8/2007	Jeon	.....	D32/2
D627,937	S *	11/2010	Kim	.....	D32/2
7,928,857	B2 *	4/2011	Olesen	.....	A47L 15/4293
					340/686.1
D656,692	S *	3/2012	Kim	.....	D32/2
D658,828	S *	5/2012	Kim	.....	D32/2
D673,742	S *	1/2013	Eng	.....	D32/2
D677,023	S *	2/2013	Borjesson	.....	D32/2
D682,491	S *	5/2013	Kim	.....	D32/2
D806,960	S *	1/2018	Tong	.....	D32/2
D827,224	S *	8/2018	Lee	.....	D32/3
D827,225	S *	8/2018	Lee	.....	D32/3
2008/0011342	A1 *	1/2008	Ryu	.....	A47L 15/4257
					134/57 DL

FOREIGN PATENT DOCUMENTS

JP	D1607973	7/2018
JP	D1607974	7/2018
KR	30-2012-0055706	4/2014
KR	30-2016-0009660	10/2016

\* cited by examiner

FIG. 1

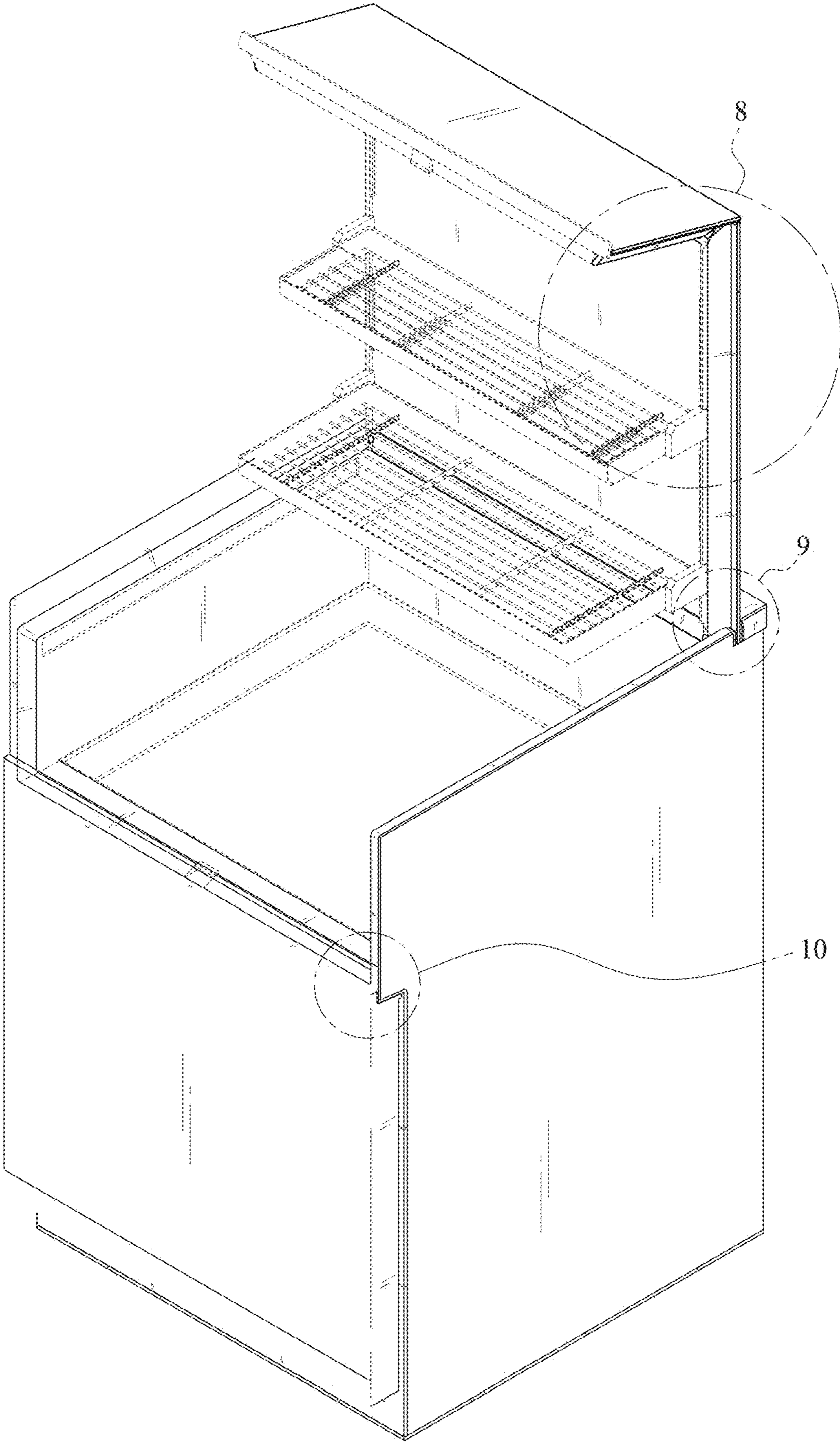


FIG. 2

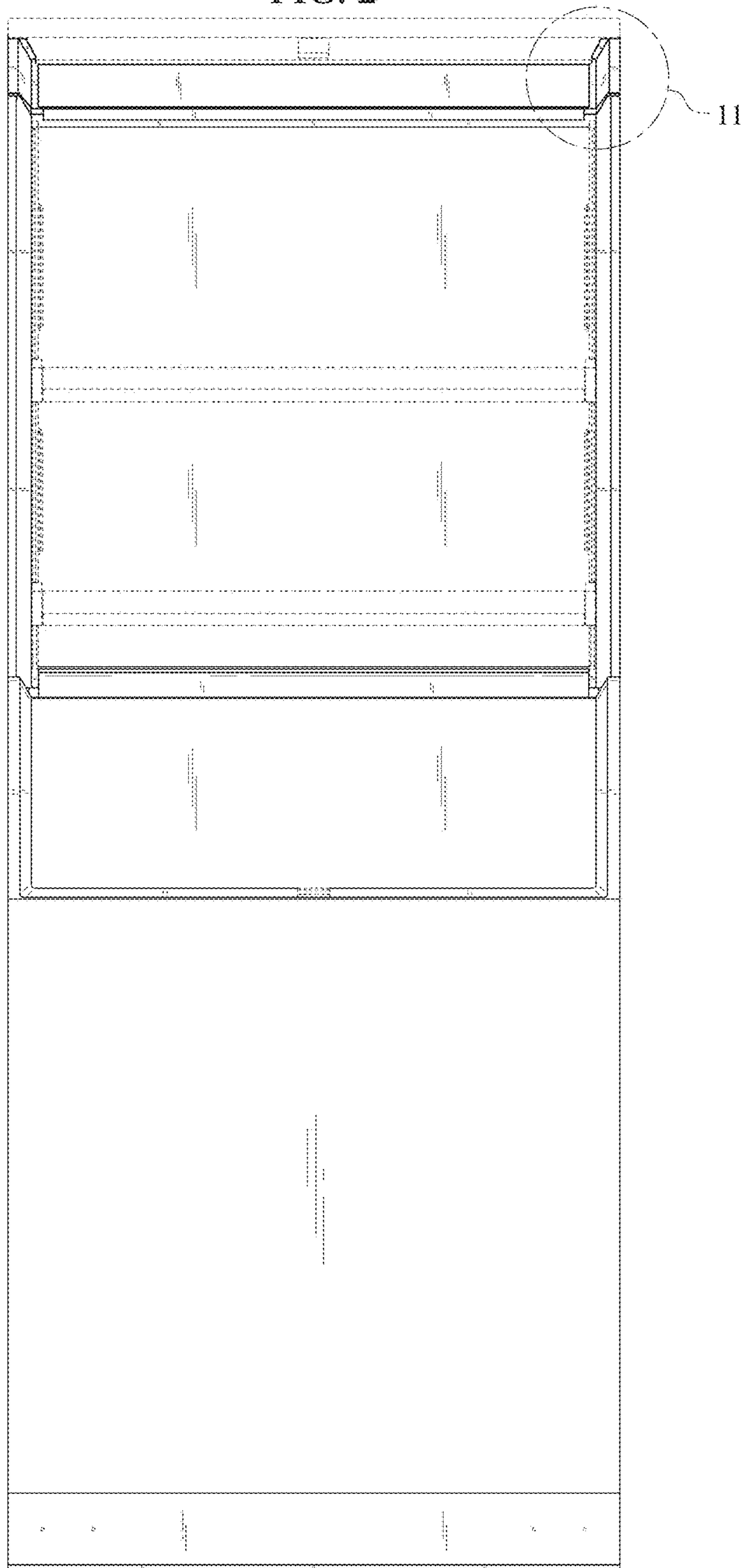




FIG. 3

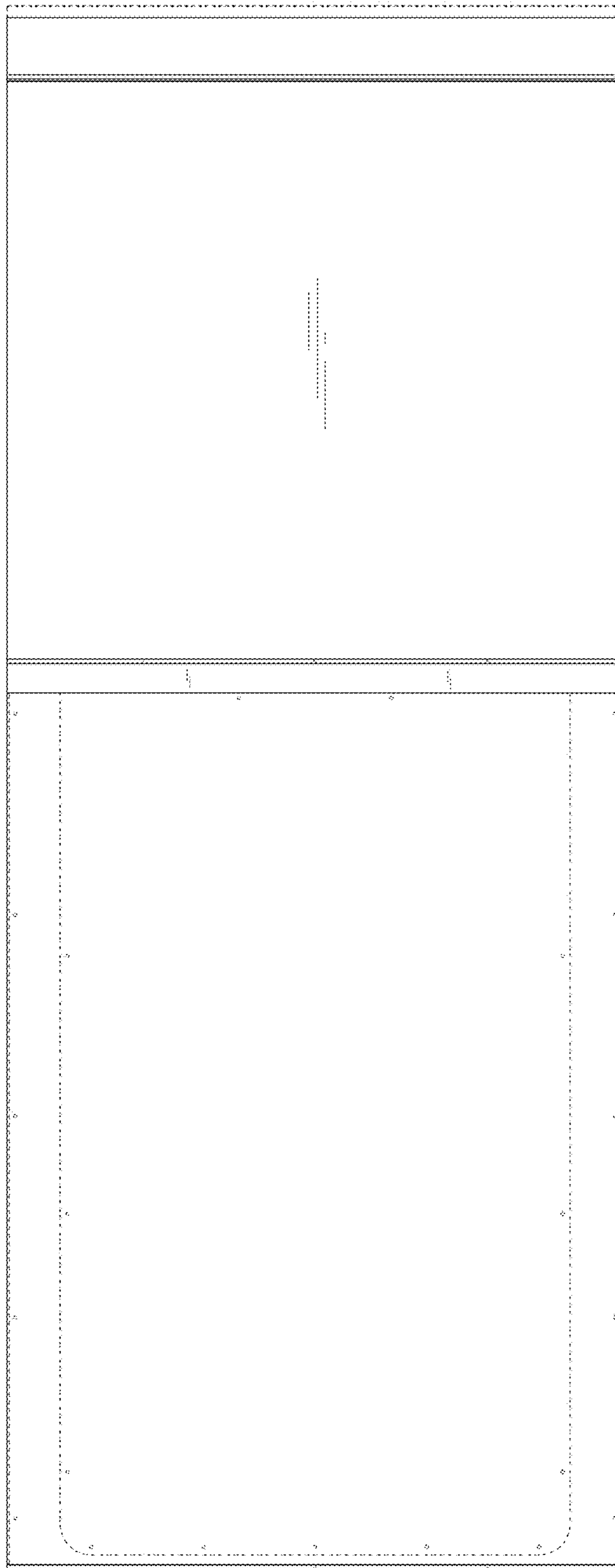


FIG. 4

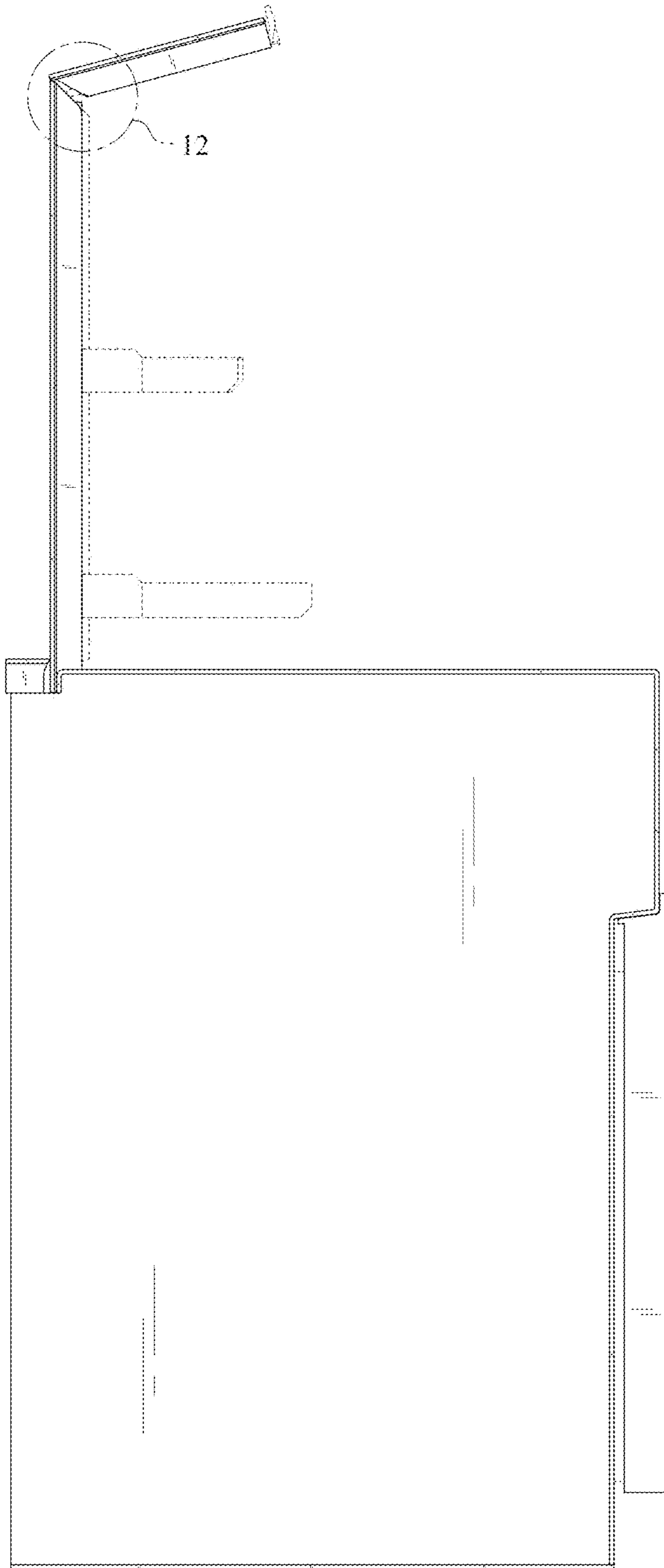


FIG. 5

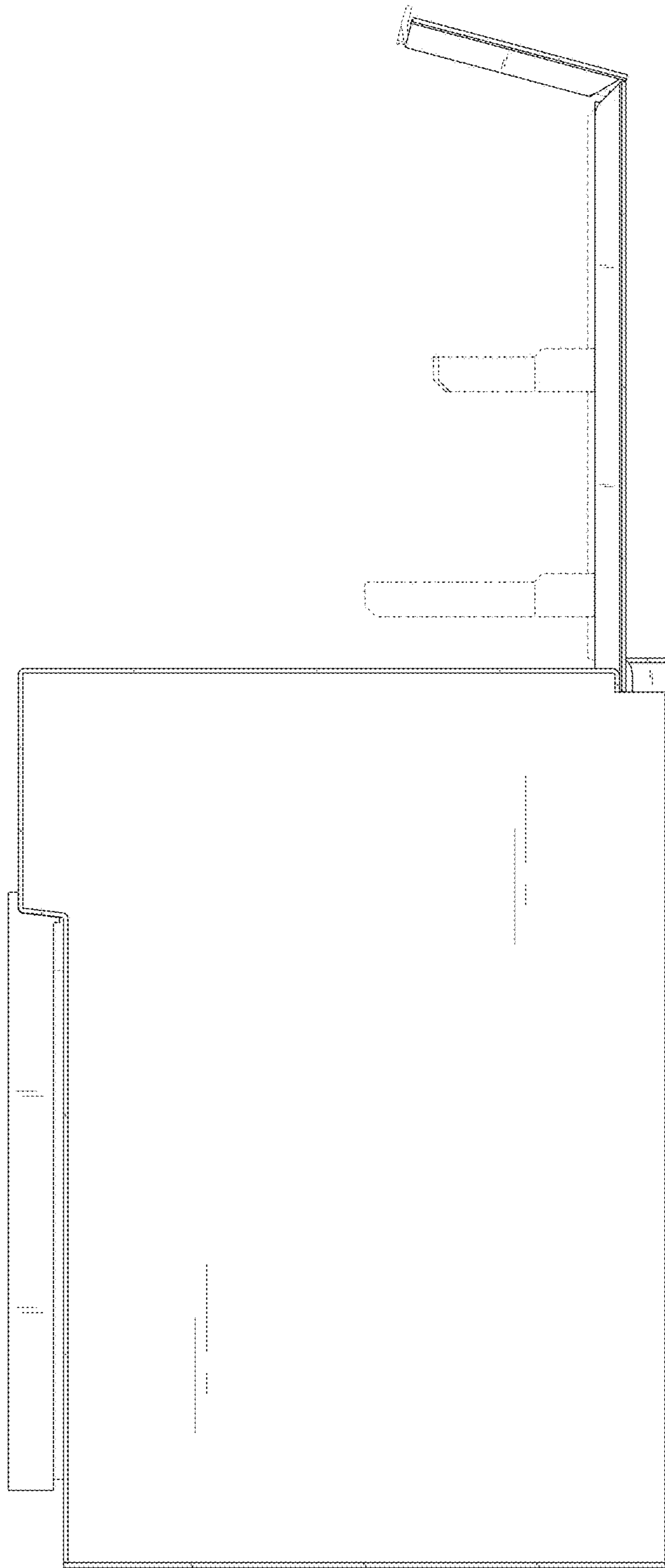


FIG. 6

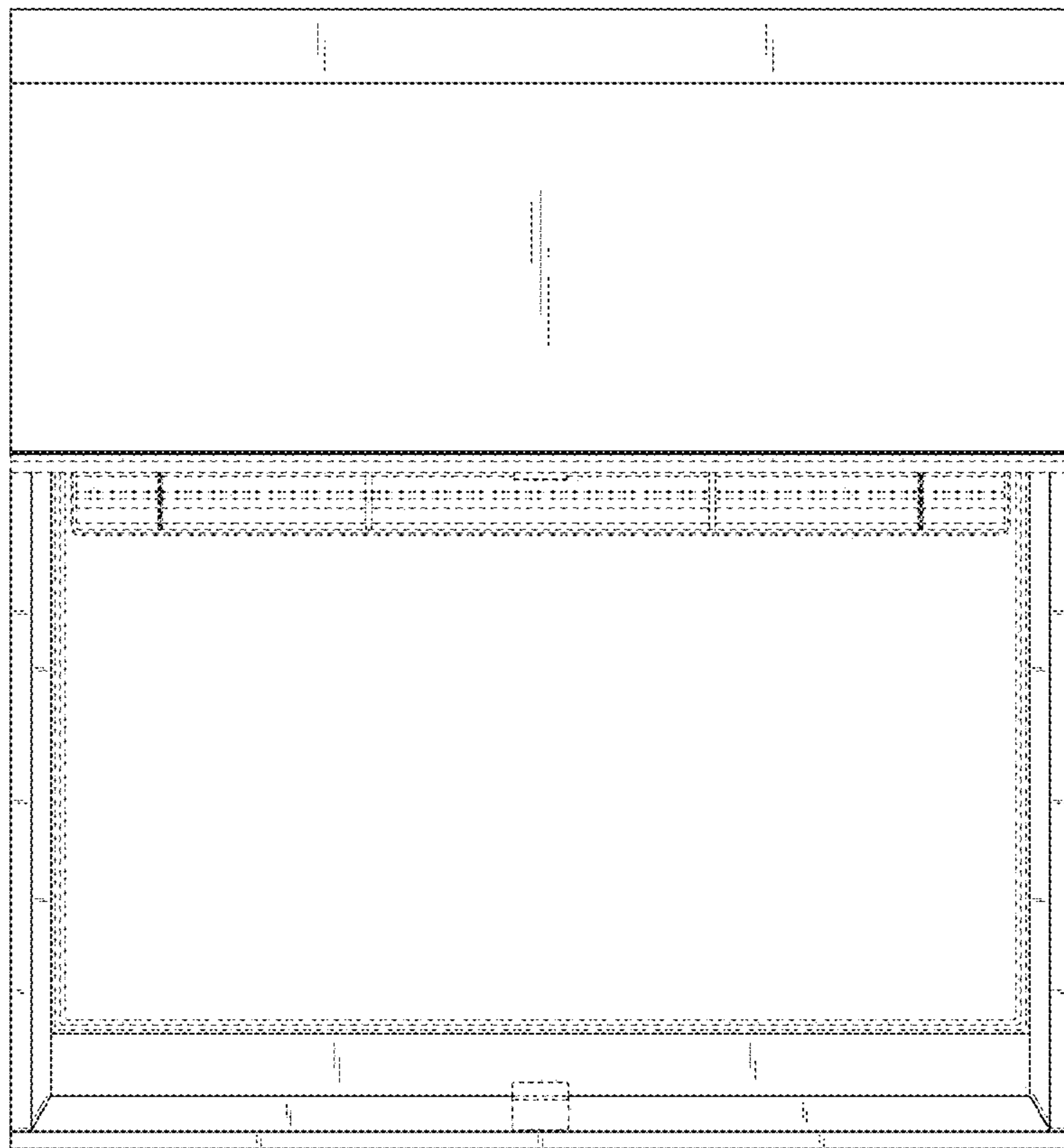




FIG. 7

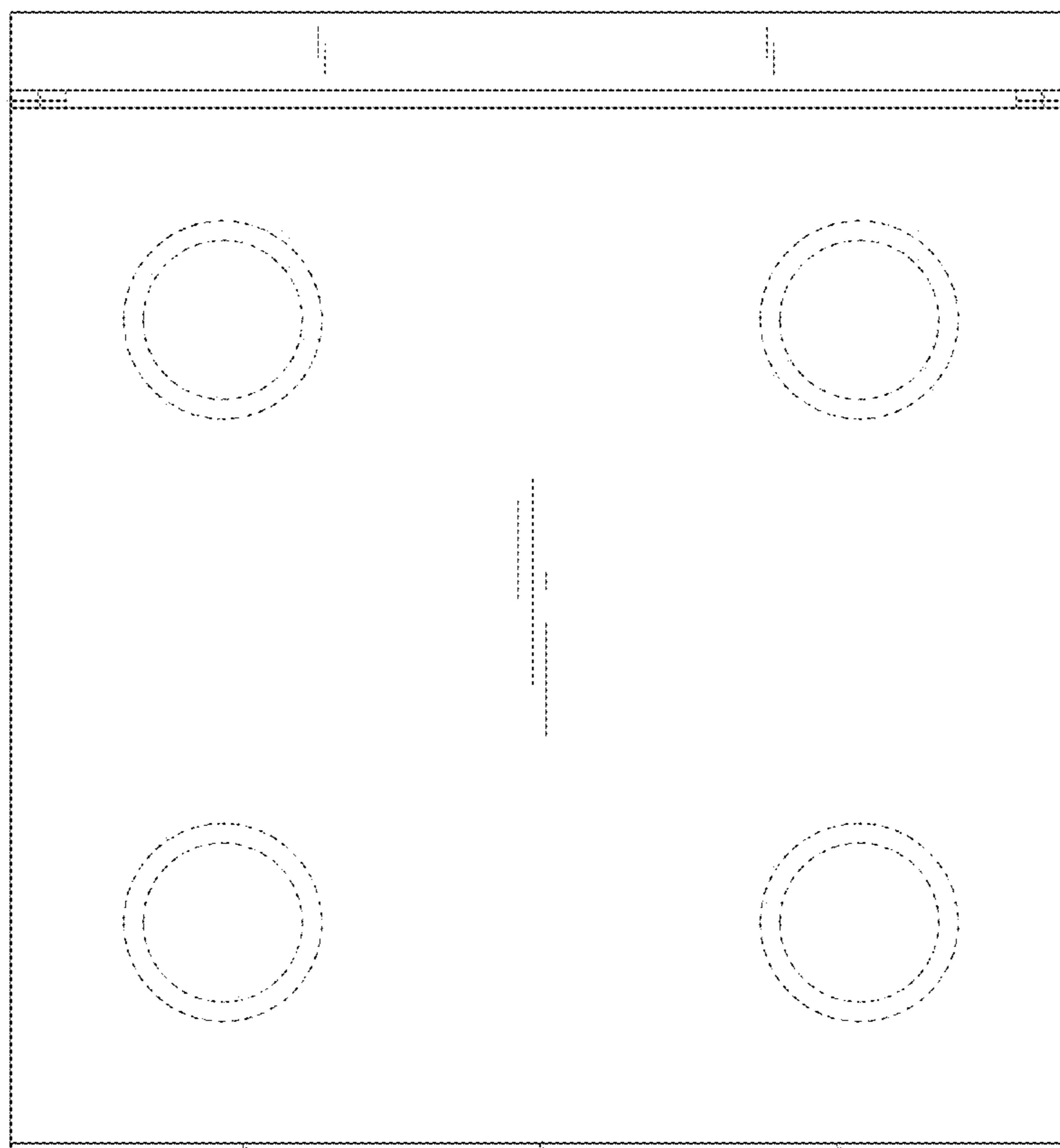


FIG. 8

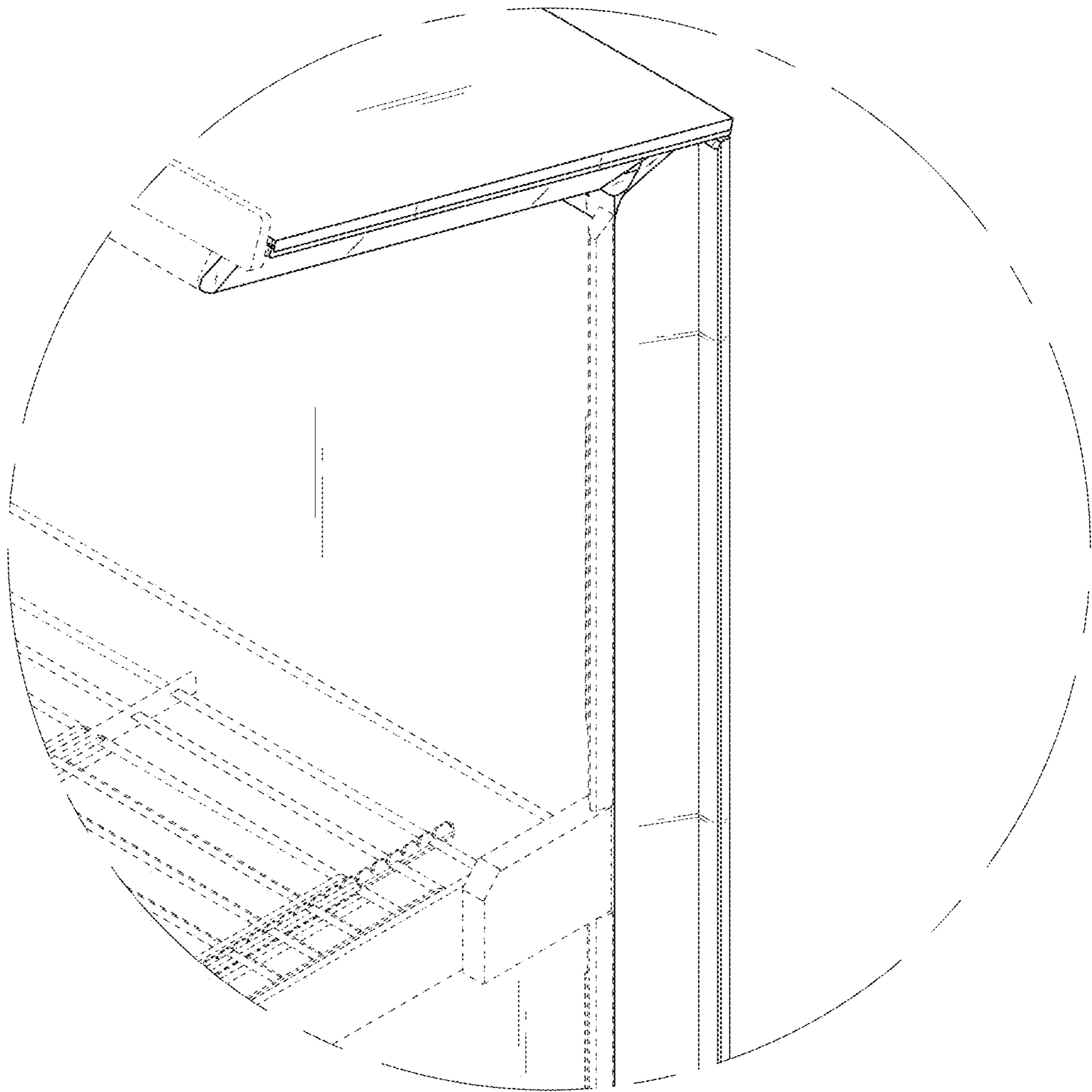


FIG. 9

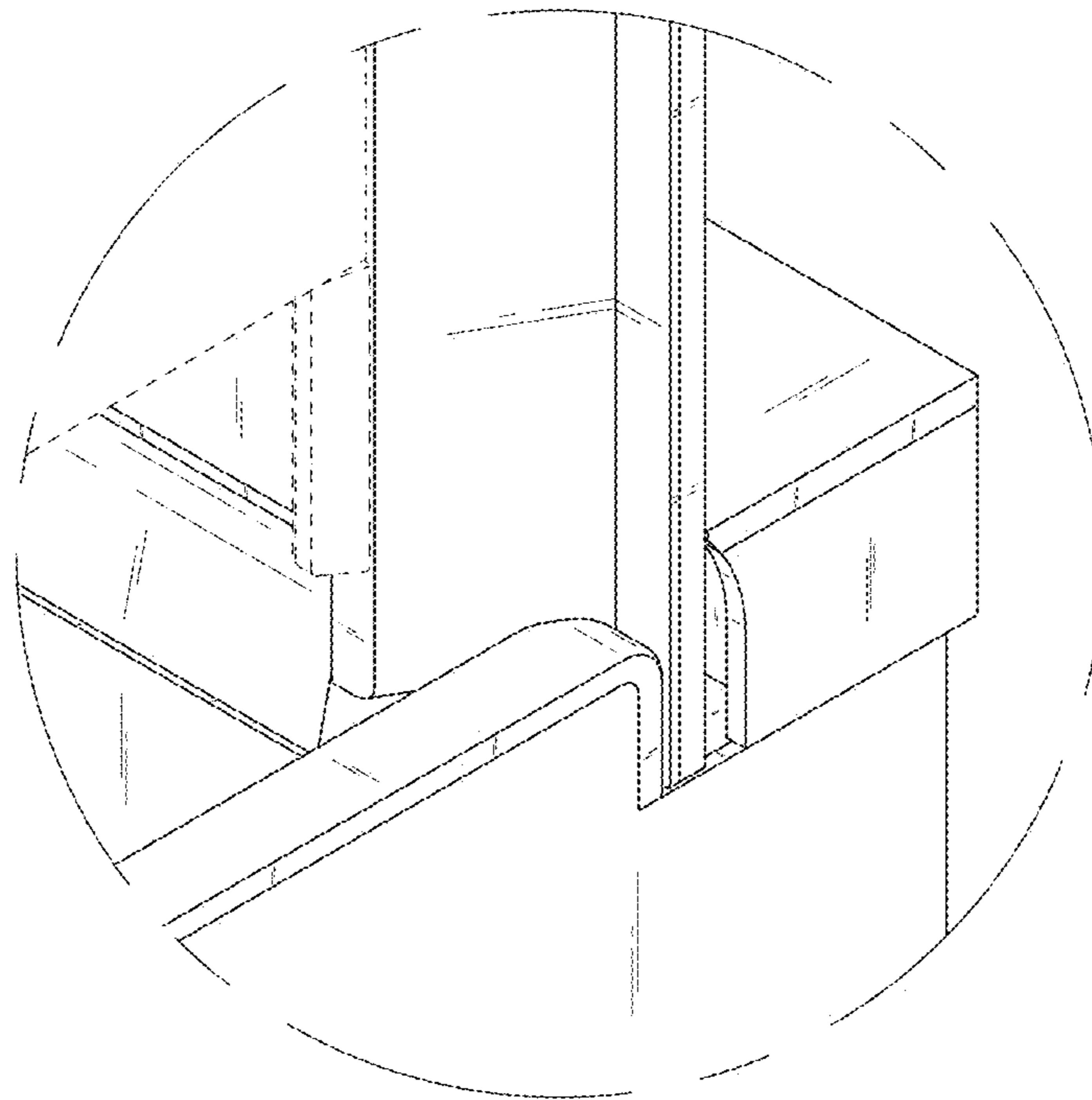


FIG. 10

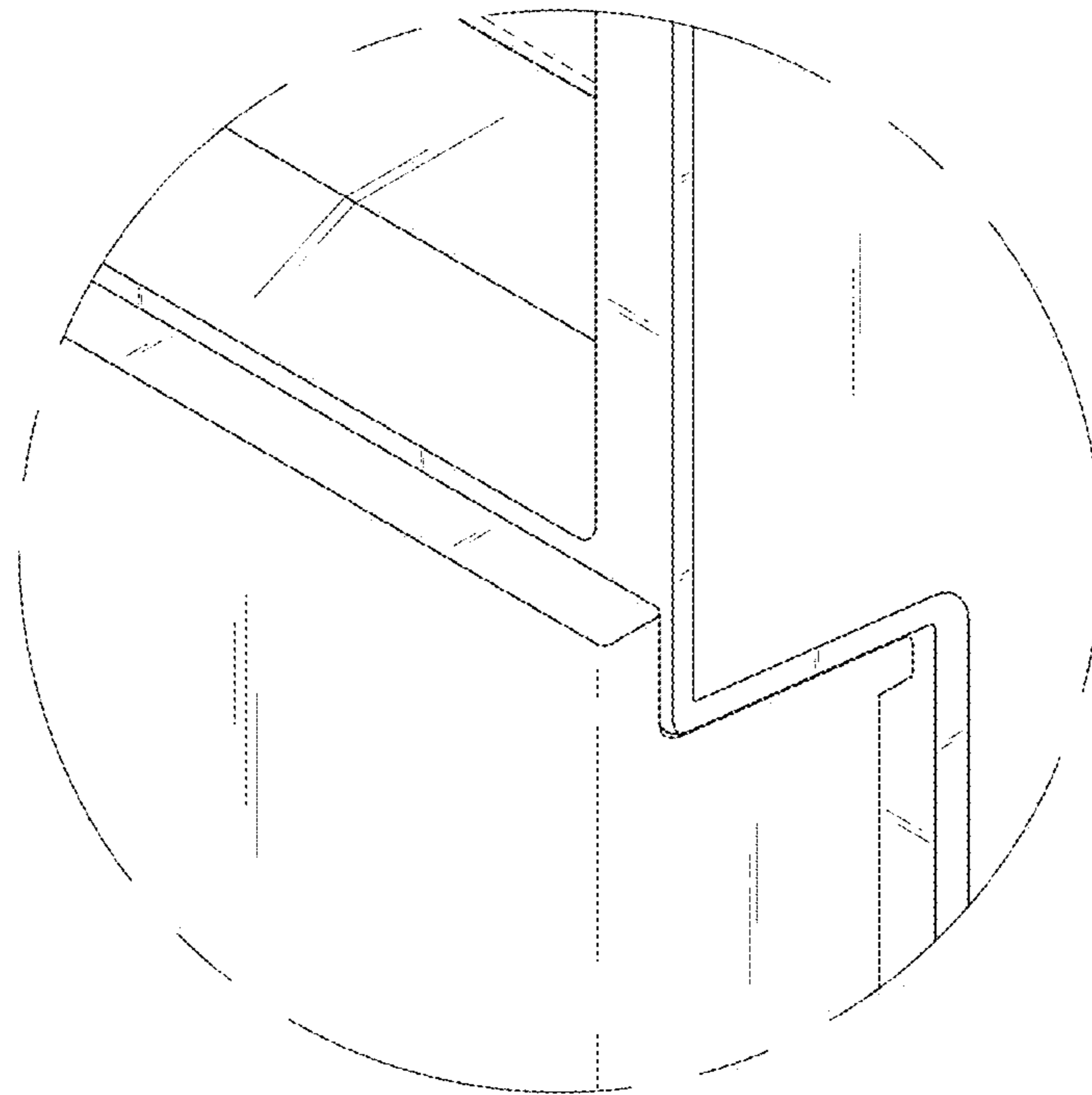


FIG. 11

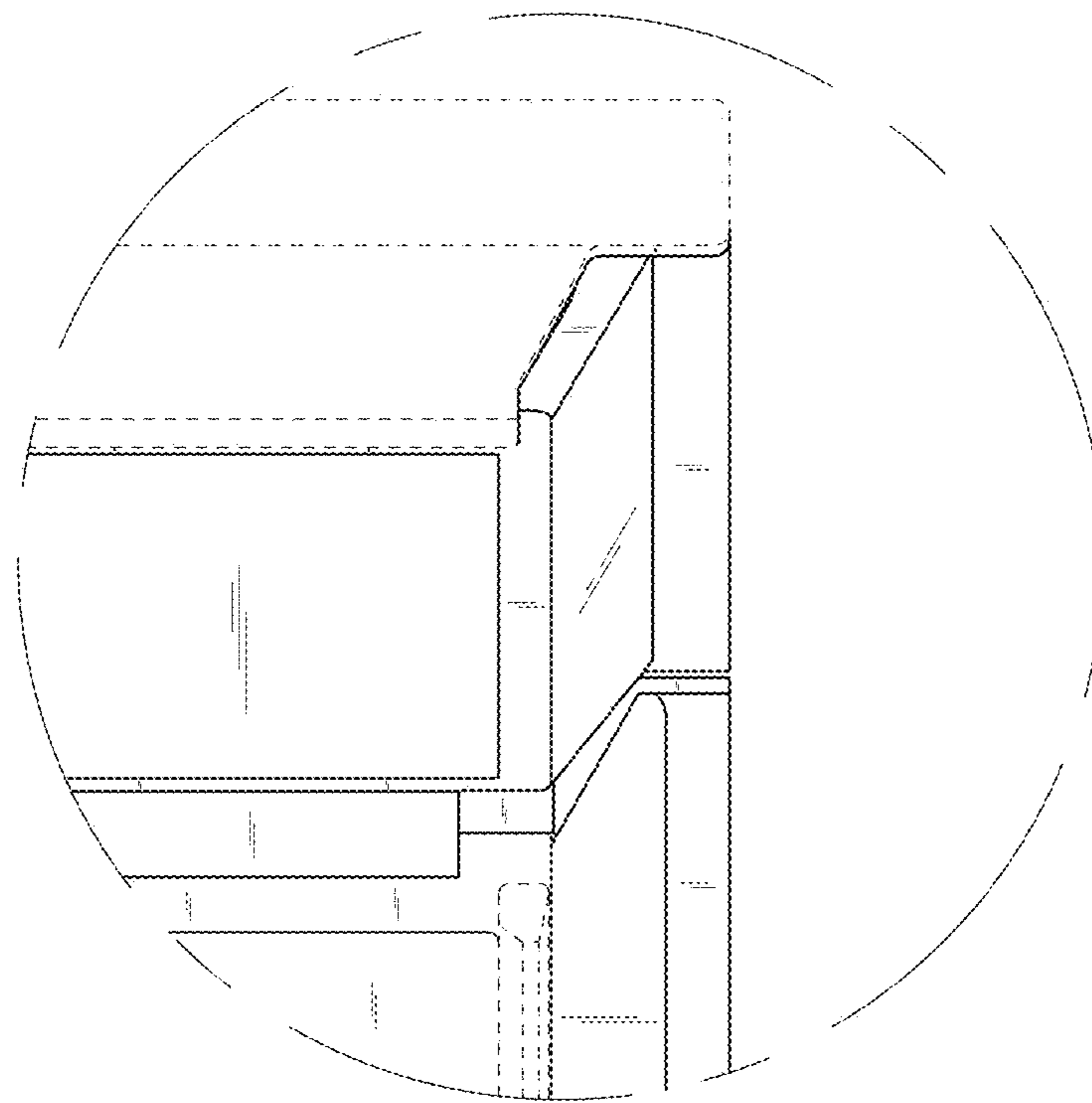
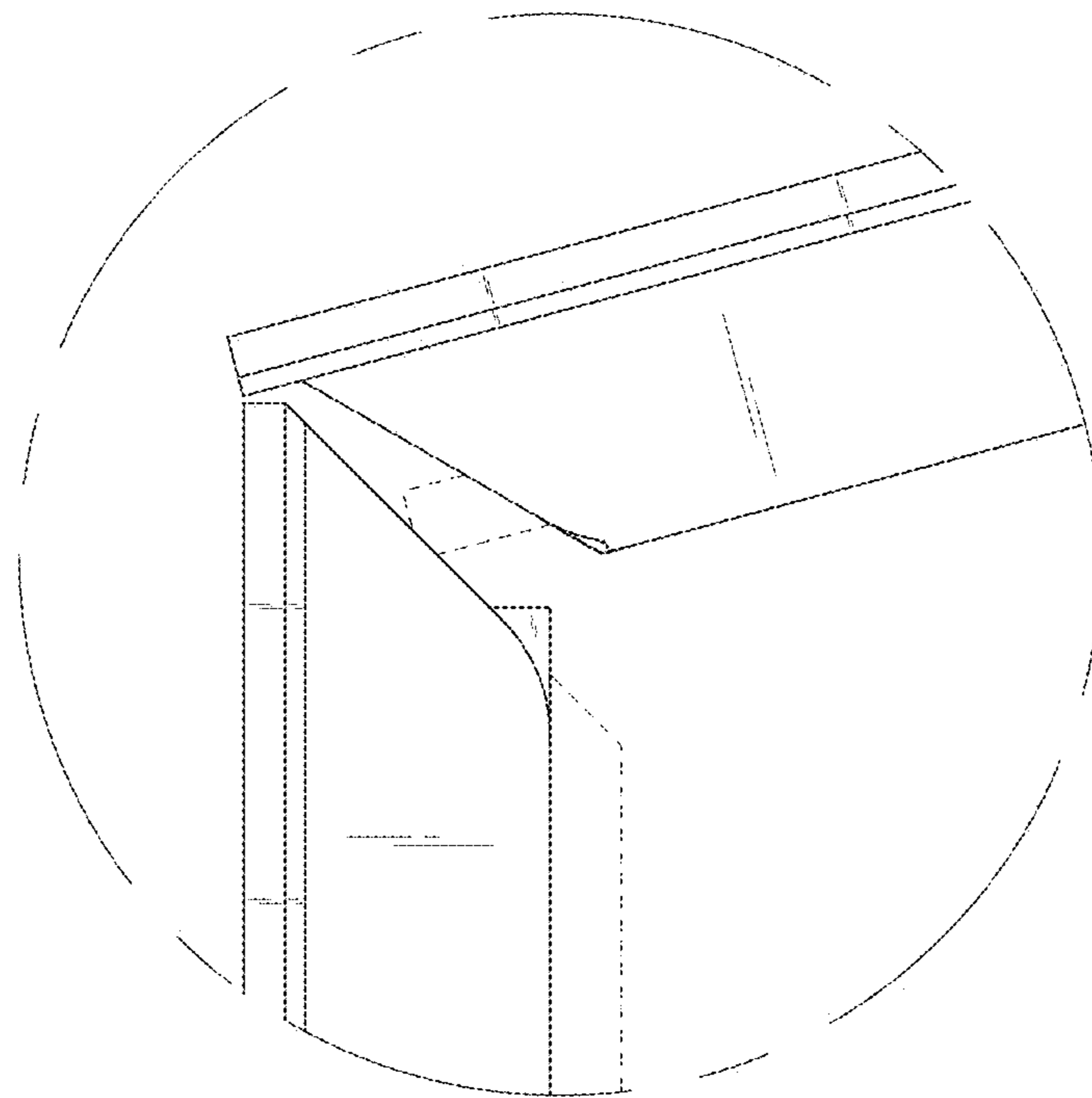




FIG. 12



UNITED STATES PATENT AND TRADEMARK OFFICE  
**CERTIFICATE OF CORRECTION**

PATENT NO. : D914,305 S  
APPLICATION NO. : 29/694442  
DATED : March 23, 2021  
INVENTOR(S) : Se Lim Yoon, Jun Kyo Lee and Jae Jun Kim

Page 1 of 2

It is certified that error appears in the above-identified patent and that said Letters Patent is hereby corrected as shown below:

In the Drawings

Sheet 1, FIG. 1, should be replaced with the following FIG. 1 shown on the attached page.

Signed and Sealed this  
Eighteenth Day of May, 2021



Drew Hirshfeld  
*Performing the Functions and Duties of the  
Under Secretary of Commerce for Intellectual Property and  
Director of the United States Patent and Trademark Office*

FIG. 1

