



US00D914304S

(12) **United States Design Patent** (10) **Patent No.:** **US D914,304 S**  
**Darnell et al.** (45) **Date of Patent:** **\*\* Mar. 23, 2021**

(54) **ACTIVITY MONITOR**  
(71) Applicant: **SureFlap Ltd.**, Cambridgeshire (GB)  
(72) Inventors: **Ian Darnell**, Bourn (GB); **Peter Lea**, Longstanton (GB)  
(73) Assignee: **SureFlap Ltd.**, Cambridge (GB)  
(\*\*) Term: **15 Years**  
(21) Appl. No.: **29/672,700**  
(22) Filed: **Dec. 7, 2018**  
(51) **LOC (13) Cl.** ..... **30-99**  
(52) **U.S. Cl.**  
USPC ..... **D30/160**  
(58) **Field of Classification Search**  
USPC ..... D30/144, 151, 152, 155, 160, 161, 199;  
D11/3; D10/70, 38, 78, 97, 104.1;  
D14/344; D24/167, 186  
CPC .. A01K 27/009; A01K 15/021; A01K 15/022;  
A01K 27/001; G08B 21/0288  
See application file for complete search history.

D831,514 S \* 10/2018 Sternon ..... D10/70  
D833,023 S \* 11/2018 Maletic ..... D24/186  
D834,771 S \* 11/2018 Theno ..... D30/199  
D838,854 S \* 1/2019 Lumme ..... D24/167  
(Continued)

**OTHER PUBLICATIONS**

“Animal activity tracker” posted date unavailable[Online],[Retrieved May 11, 2020], from internet: <https://tinyurl.com/y7c3fsjc>.\*

*Primary Examiner* — Sandra Snapp  
*Assistant Examiner* — Mehri Bajoul  
(74) *Attorney, Agent, or Firm* — Knobbe, Martens, Olson & Bear, LLP

(57) **CLAIM**

The ornamental design for an activity monitor, as shown and described.

**DESCRIPTION**

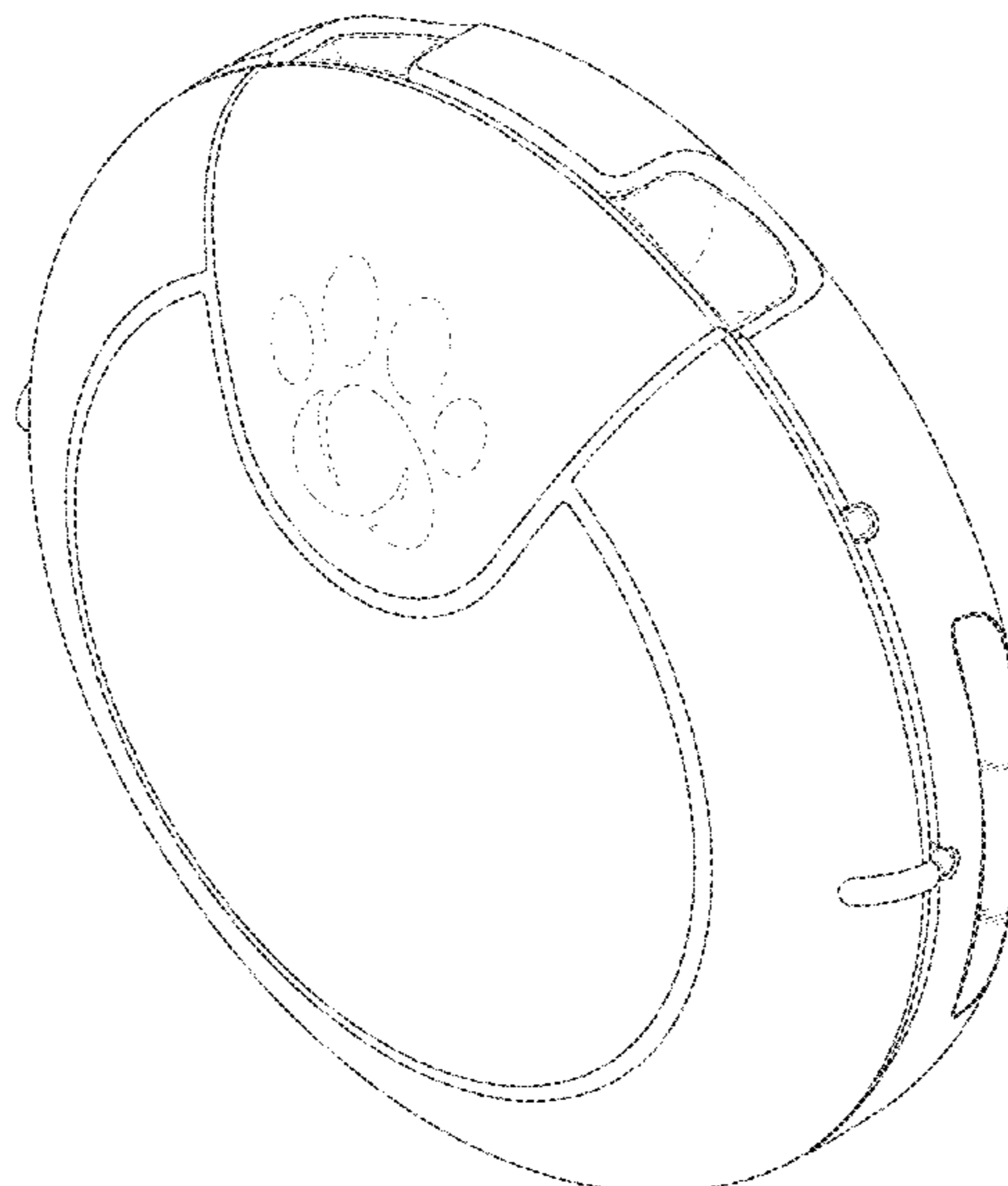
FIG. 1 is a front elevational view of an activity monitor showing our new design.  
FIG. 2 is a back elevational view thereof.  
FIG. 3 is a left elevational view thereof.  
FIG. 4 is a right elevational view thereof.  
FIG. 5 is a top plan view thereof.  
FIG. 6 is a bottom plan view thereof.  
FIG. 7 is a top front right perspective view thereof.  
FIG. 8 is a top front left perspective view thereof.  
FIG. 9 is a back right perspective thereof;  
FIG. 10 is a magnified view of designated portion of FIG. 9; and,  
FIG. 11 is a top back left perspective view thereof.  
In the drawings, the broken lines depict portions of the activity monitor and form no part of the claimed design. The term “SURE PET CARE” in FIGS. 2, 9, and 11 is a U.S. registered trademark of SureFlap Ltd and does not form part of the claimed design.

**1 Claim, 8 Drawing Sheets**

(56) **References Cited**

**U.S. PATENT DOCUMENTS**

D766,844 S \* 9/2016 Turksu ..... D10/104.1  
D769,868 S \* 10/2016 Isaacs ..... D14/344  
D785,473 S \* 5/2017 Zhao ..... D10/106.6  
D790,372 S \* 6/2017 Daoura ..... D10/104.1  
D796,355 S \* 9/2017 Cho ..... D10/70  
D796,682 S \* 9/2017 Falk ..... D24/186  
D805,926 S \* 12/2017 Im ..... D10/57  
D810,076 S \* 2/2018 Lee ..... D14/344  
D810,952 S \* 2/2018 Hsu ..... D24/200  
D817,793 S \* 5/2018 Vu ..... D10/70  
D818,853 S \* 5/2018 Golnik ..... D10/70  
D820,123 S \* 6/2018 Chou ..... D10/70  
D824,034 S \* 7/2018 Pushpala ..... D24/186  
D826,748 S \* 8/2018 Kim ..... D10/70  
D830,555 S \* 10/2018 Lin ..... D24/167  
D831,189 S \* 10/2018 Fang ..... D24/107



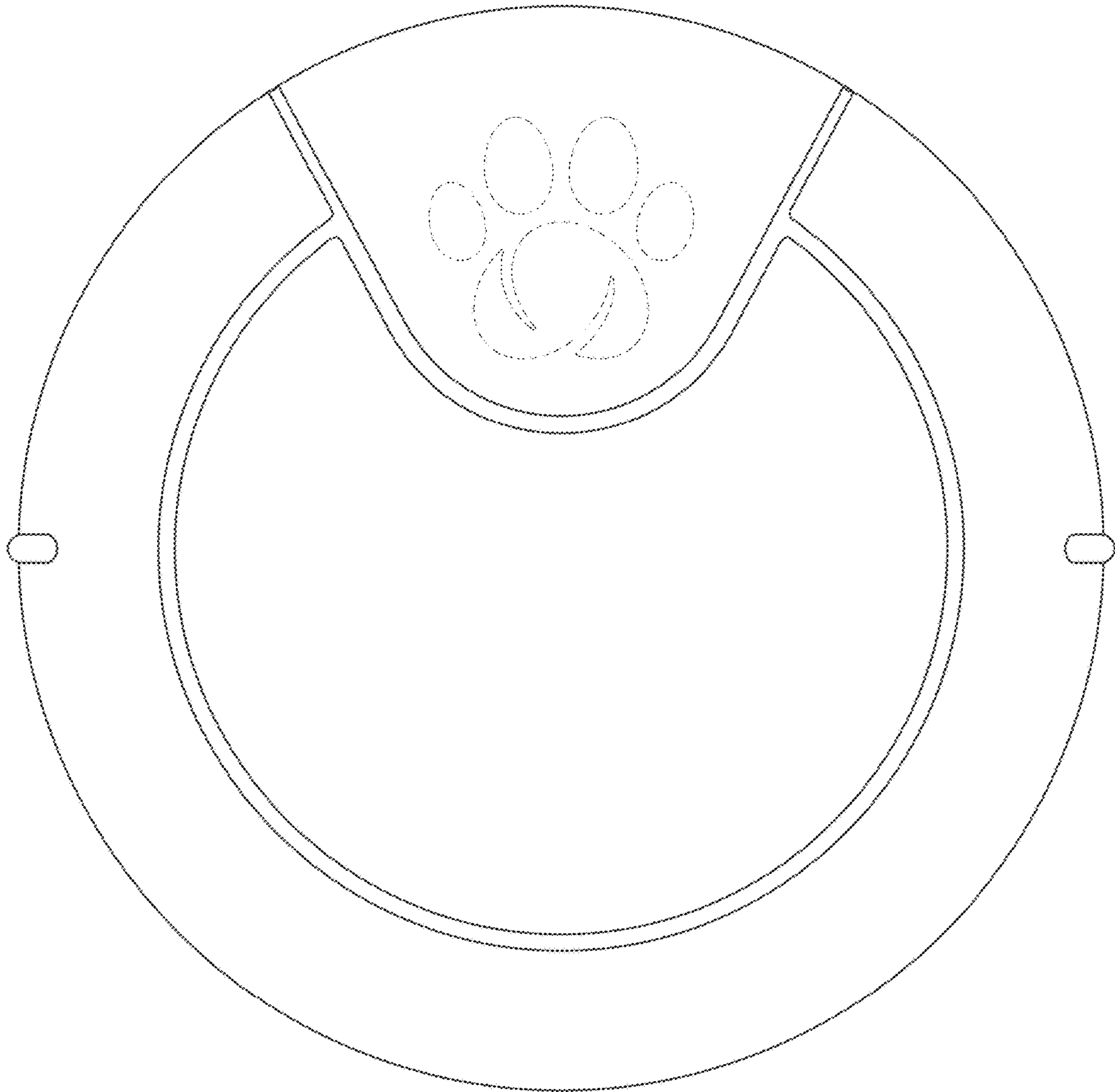
(56)

**References Cited**

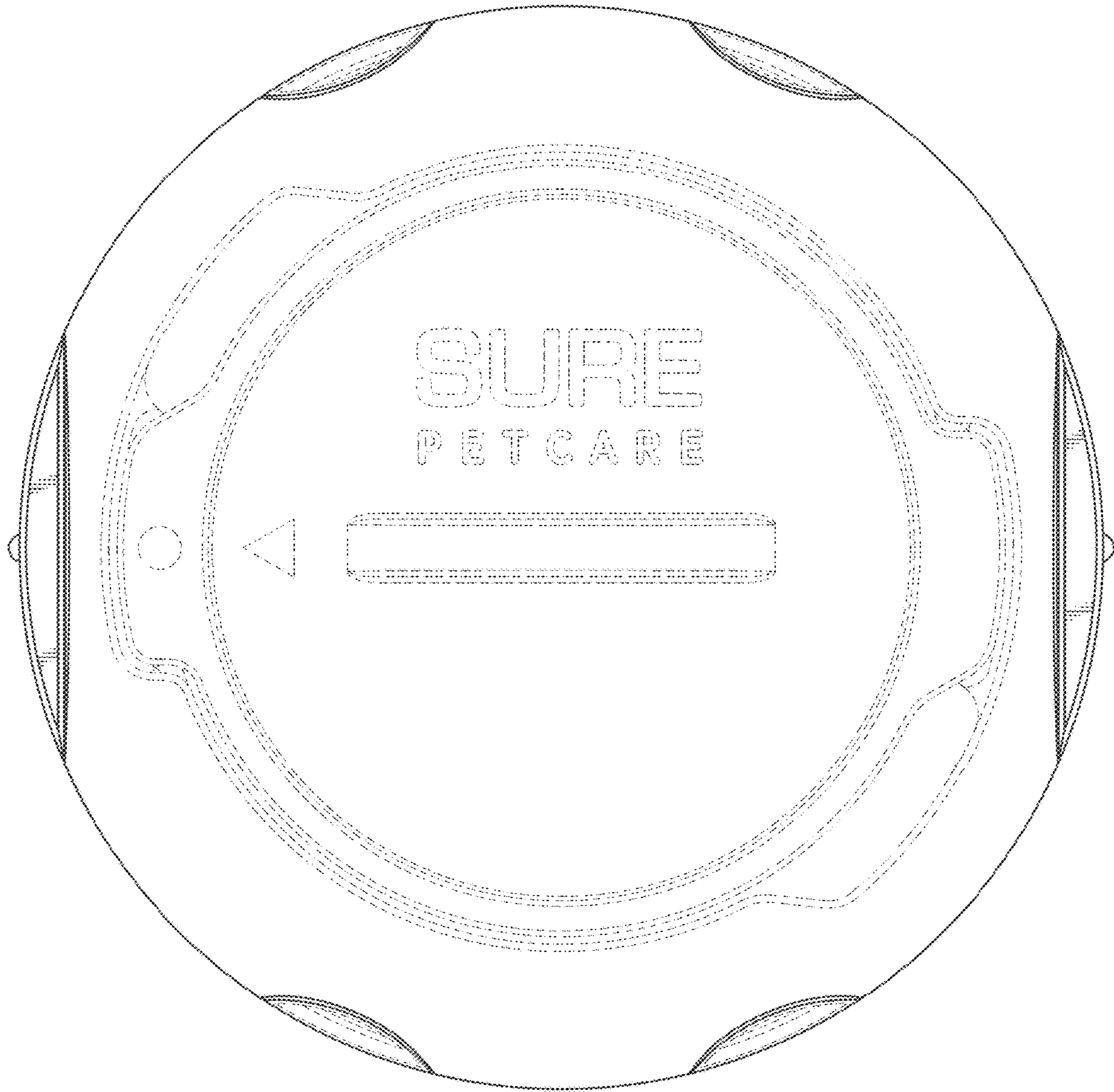
U.S. PATENT DOCUMENTS

D838,855 S \* 1/2019 Lumme ..... D24/167  
D868,778 S \* 12/2019 Reivo ..... D14/344  
D870,896 S \* 12/2019 Komaki ..... D24/186  
D872,383 S \* 1/2020 Darnell ..... D30/152  
2015/0201584 A1\* 7/2015 Crane ..... A01K 15/025  
119/707  
2016/0278342 A1\* 9/2016 Wolfe, Jr. .... A01K 15/025

\* cited by examiner

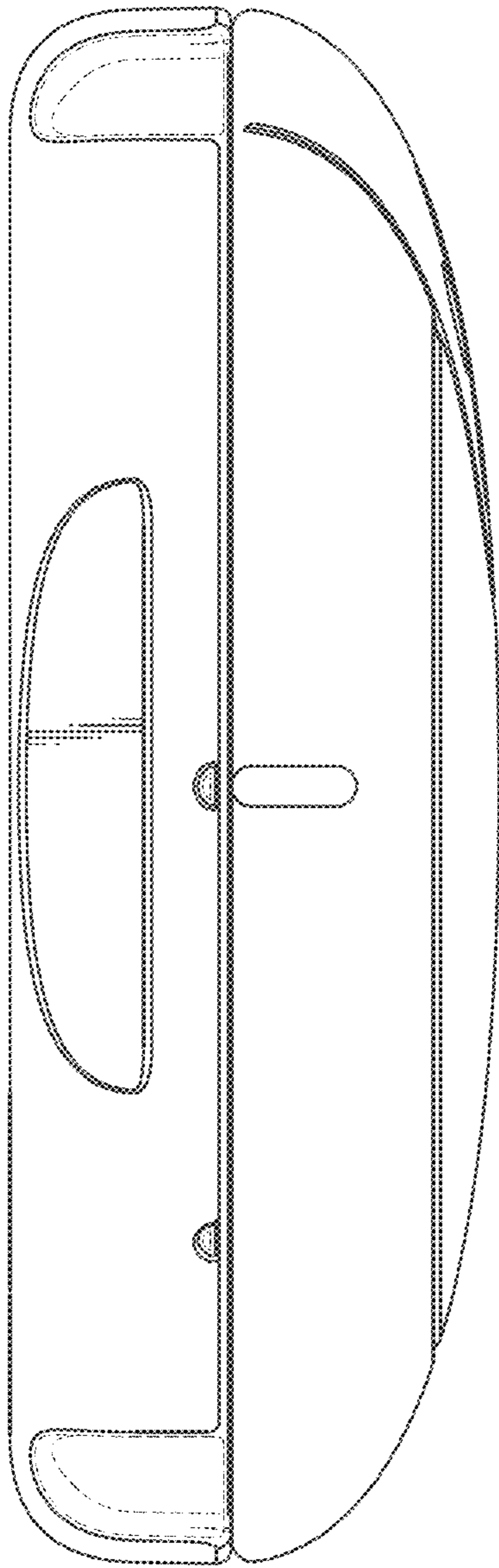


*FIG. 1*

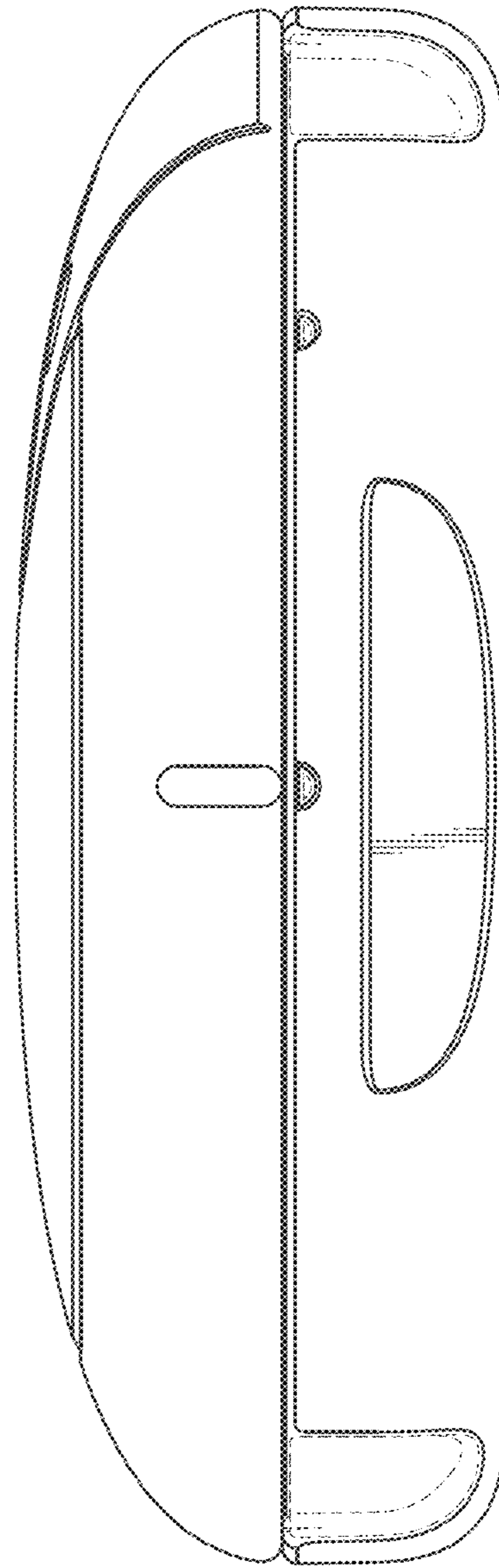


*FIG. 2*

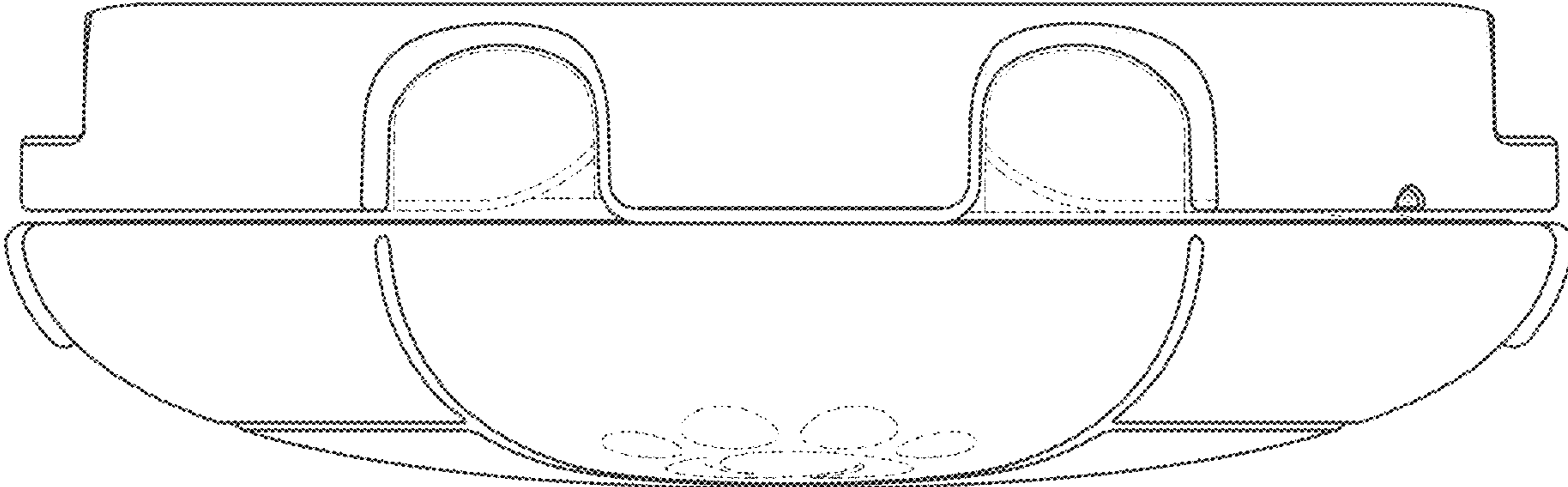




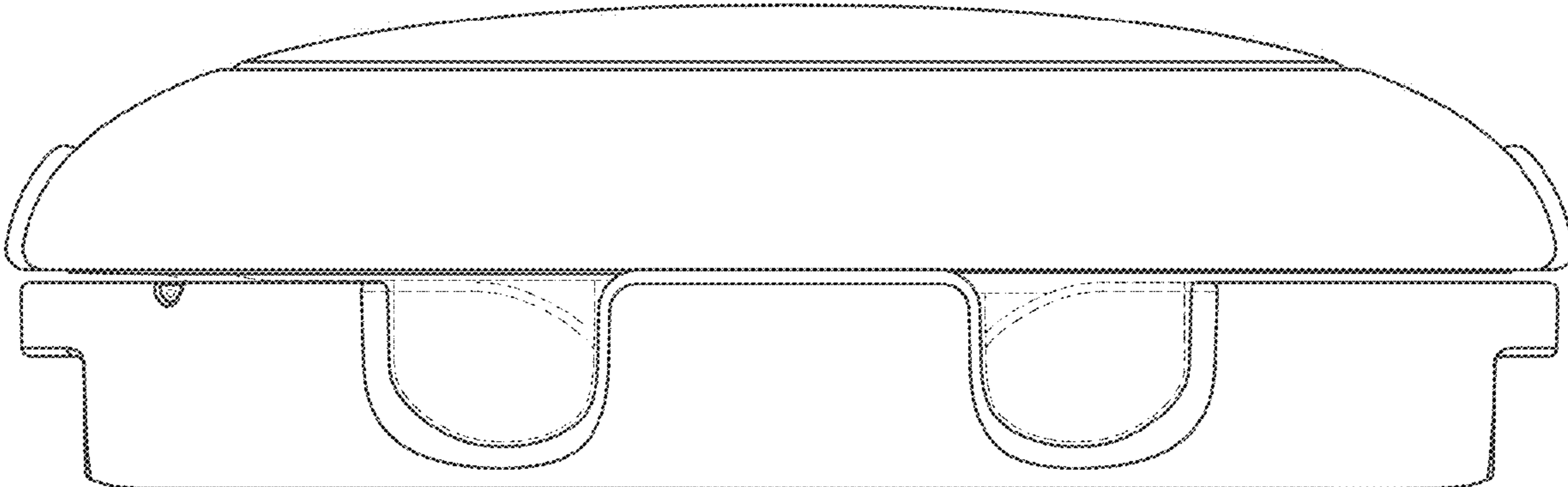
*FIG. 3*



*FIG. 4*



*FIG. 5*



*FIG. 6*

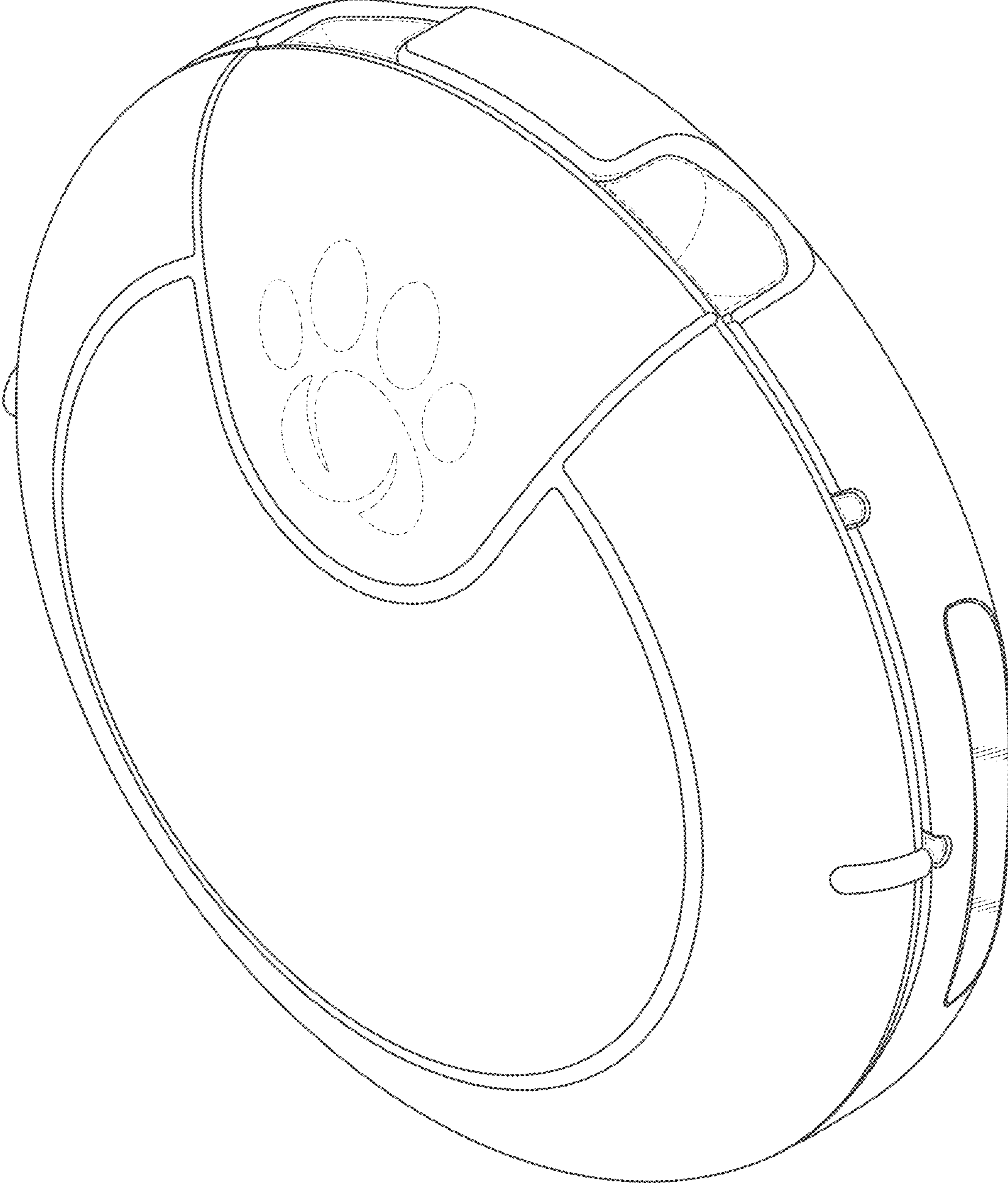


FIG. 7



FIG. 8



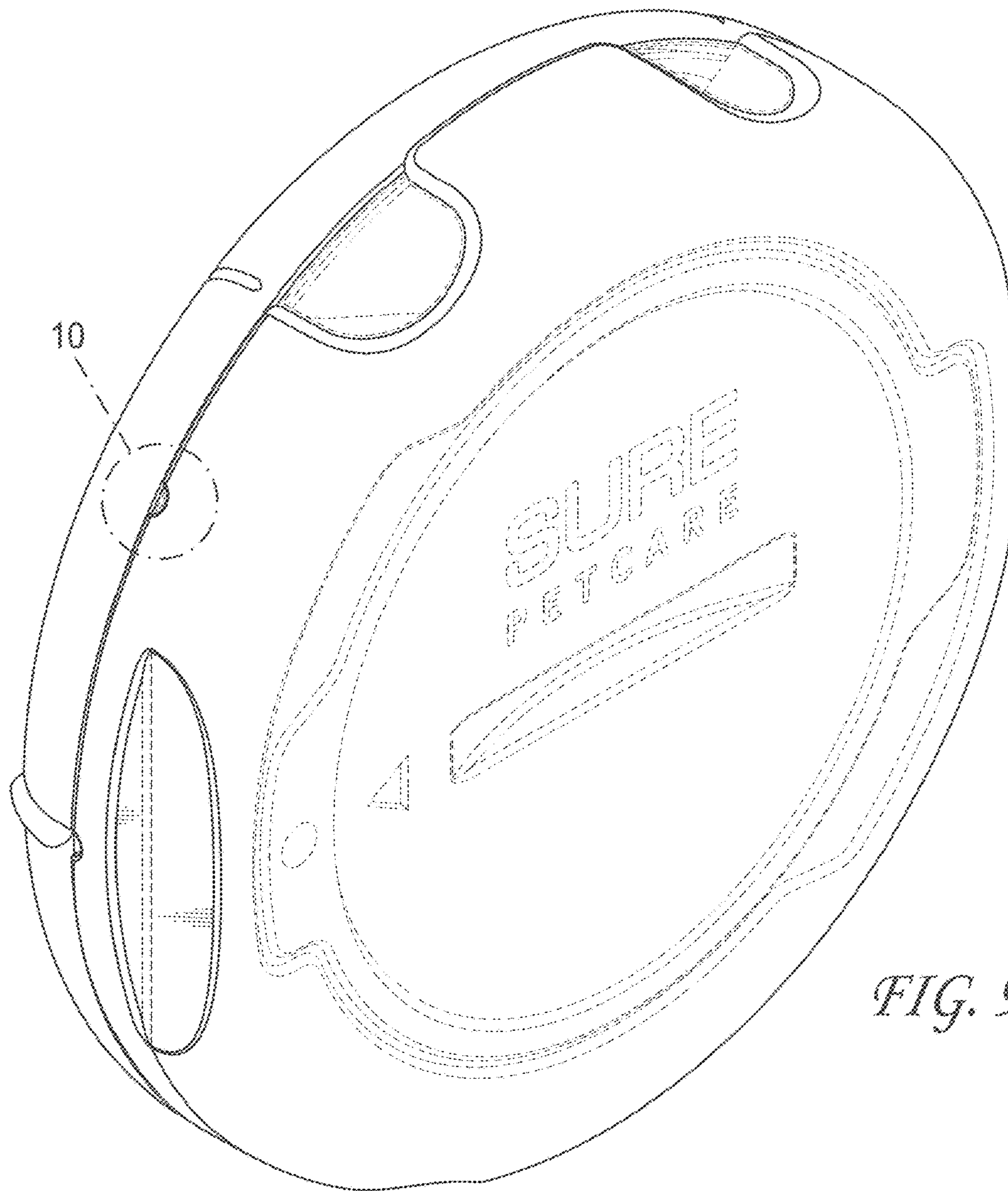


FIG. 9

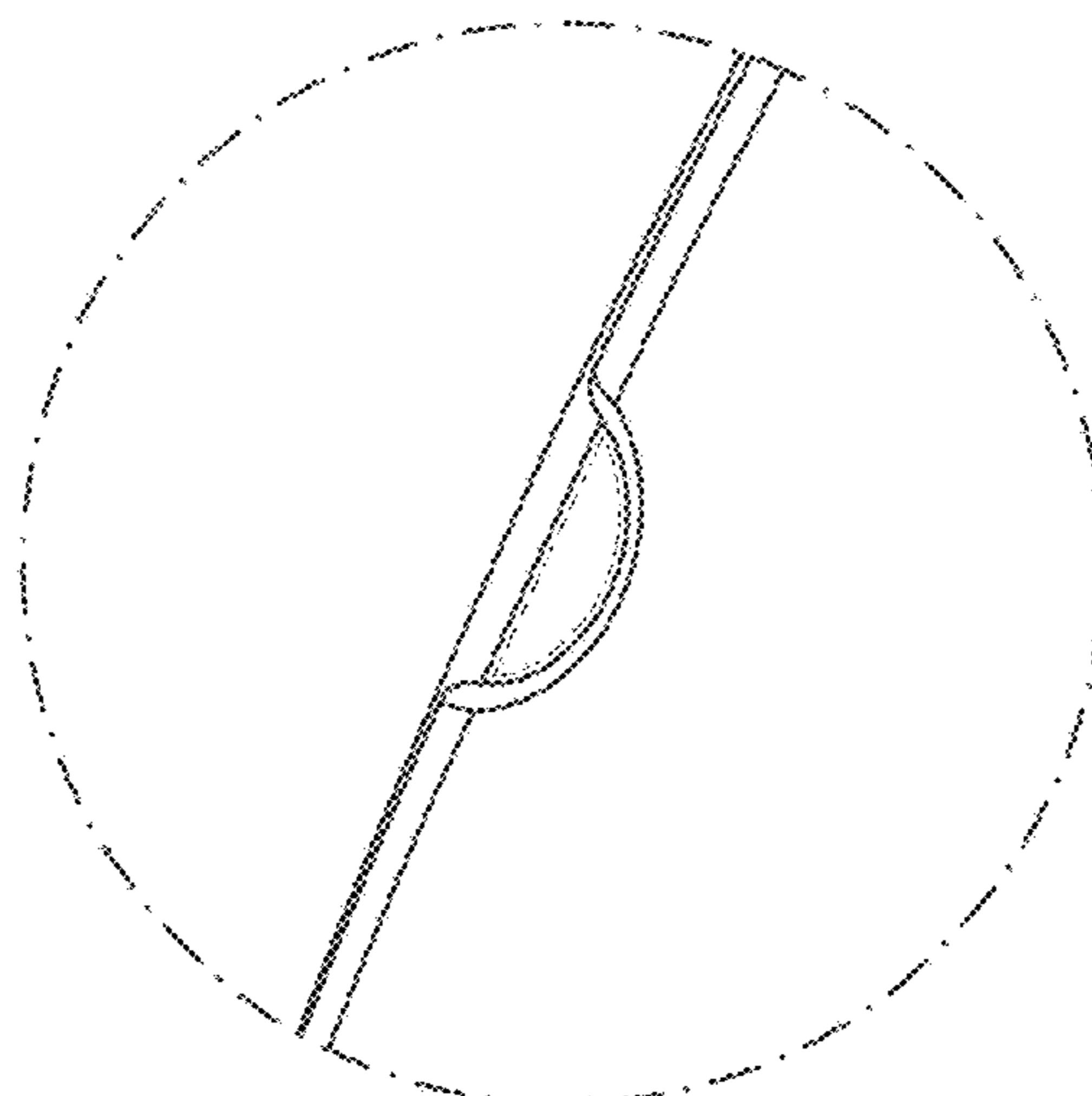


FIG. 10

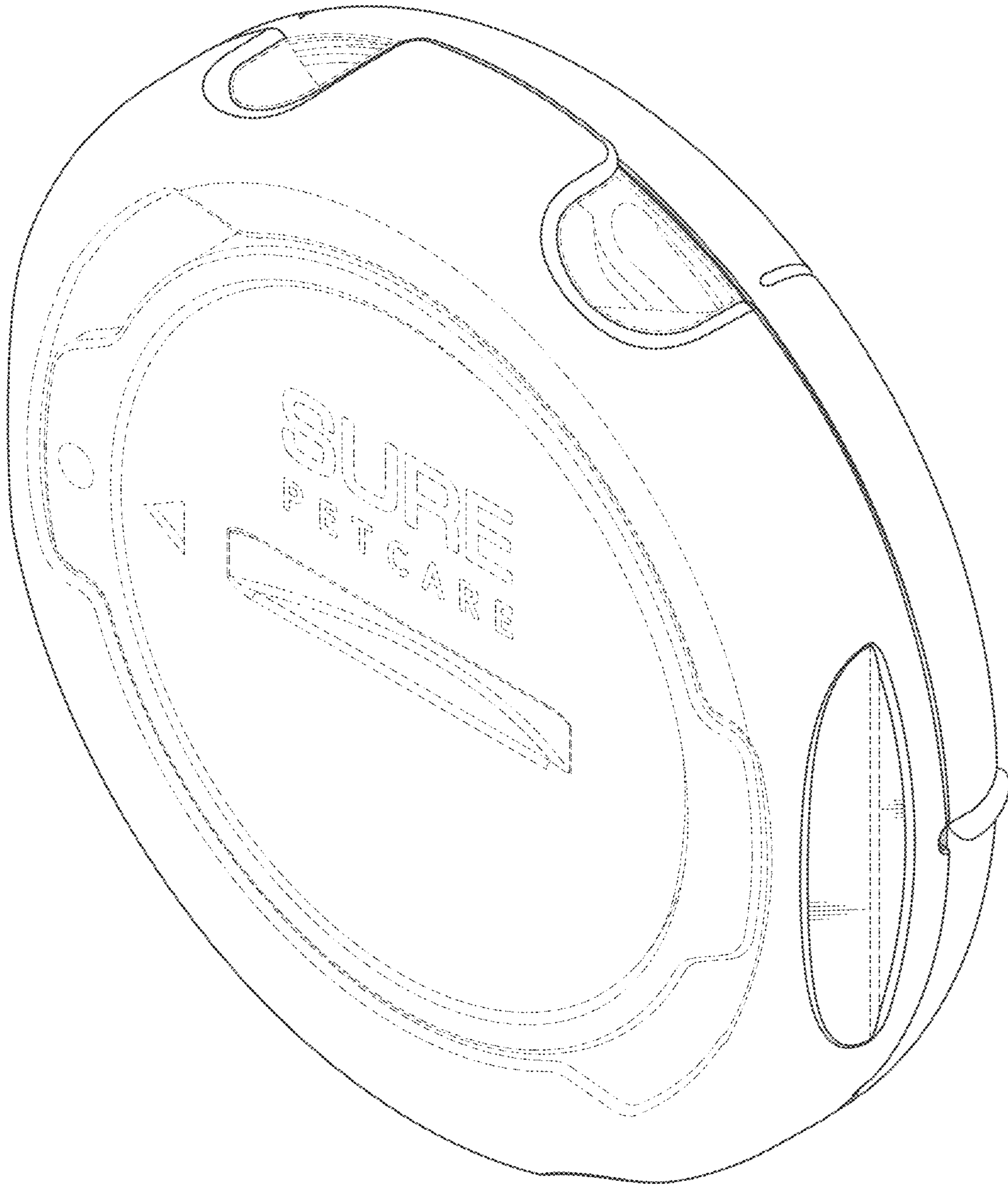


FIG. 11