



US00D914300S

(12) **United States Design Patent**
Wu

(10) **Patent No.: US D914,300 S**
(45) **Date of Patent: ** Mar. 23, 2021**

(54) **WATERER FOR ANIMALS**

(71) Applicant: **Zijian Wu**, Shenzhen (CN)

(72) Inventor: **Zijian Wu**, Shenzhen (CN)

(**) Term: **15 Years**

(21) Appl. No.: **29/718,638**

(22) Filed: **Dec. 26, 2019**

(51) **LOC (13) Cl.** **30-03**

(52) **U.S. Cl.**
USPC **D30/132**

(58) **Field of Classification Search**
USPC D30/121, 122, 129, 130, 131, 132, 133,
D30/199

CPC A01K 5/00; A01K 5/0291; A01K 7/00;
A01K 7/005; A01K 7/02; A01K 39/02;
A01K 39/04

See application file for complete search history.

(56) **References Cited**

U.S. PATENT DOCUMENTS

D497,041 S *	10/2004	Plante	D30/130
D704,389 S *	5/2014	Fang	D30/132
D820,533 S *	6/2018	Huang	D30/132
D820,534 S *	6/2018	Huang	D30/132
10,165,753 B1 *	1/2019	Huang	A01K 7/02
D849,336 S *	5/2019	Huang	D30/132
D849,337 S *	5/2019	Huang	D30/132
D850,731 S *	6/2019	Wu	D30/132

OTHER PUBLICATIONS

“Veken Pet Fountain” available Jul. 12, 2019, [online], [site visited May 28, 2020]. Retrieved from Internet, URL: <https://www.amazon.com/Veken-Fountain-Automatic-Dispenser-Replacement/dp/B07DLXF7XL> (Year: 2019).*

“3.5L Cat Fountain Automatic Pet Water Fountain” available May 15, 2019, [online], [site visited May 28, 2020]. Retrieved from Internet, URL: <https://www.walmart.com/ip/Water-Pcs-Dispenser-Fountain-Element-Drinking-Replacement-Carbon-Design-Activated-Filters-Three-layer-Filter-6-Pet-Automatic-Fountains/147172072> (Year: 2019).*

“Skymee” available Feb. 12, 2020, [online], [site visited May 27, 2020]. Retrieved from Internet, URL: <https://web.archive.org/web/20200212100401/https://store.skymee.com/products/skymee-pet-water-fountain-31-autonnatic-water-fountain-dog-water-dispenser-with-3-replacement-filters-for-cats-dogs-multiple-pets> (Year: 2020).*

“Gizaniton Pet Fountain Cat Water Dispenser” available Nov. 22, 2018, [online], [site visited May 27, 20]. Retrieved from Internet, URL: https://www.amazon.com/Gizaniton-Pet-Fountain-Water-Dispenser/dp/B07JCLOYNN/ref=cm_cr_arp_d_product_top?ie=UTF8 (Year: 2018).*

* cited by examiner

Primary Examiner — Michael C Stout

Assistant Examiner — Katrina N Gonzalez

(57) **CLAIM**

The ornamental design for a waterer for animals, as shown and described.

DESCRIPTION

FIG. 1 is a first perspective view of a waterer for animals showing my new design;

FIG. 2 is a second perspective view thereof;

FIG. 3 is a front elevation view thereof;

FIG. 4 is a rear elevation view thereof;

FIG. 5 is a left elevation view thereof;

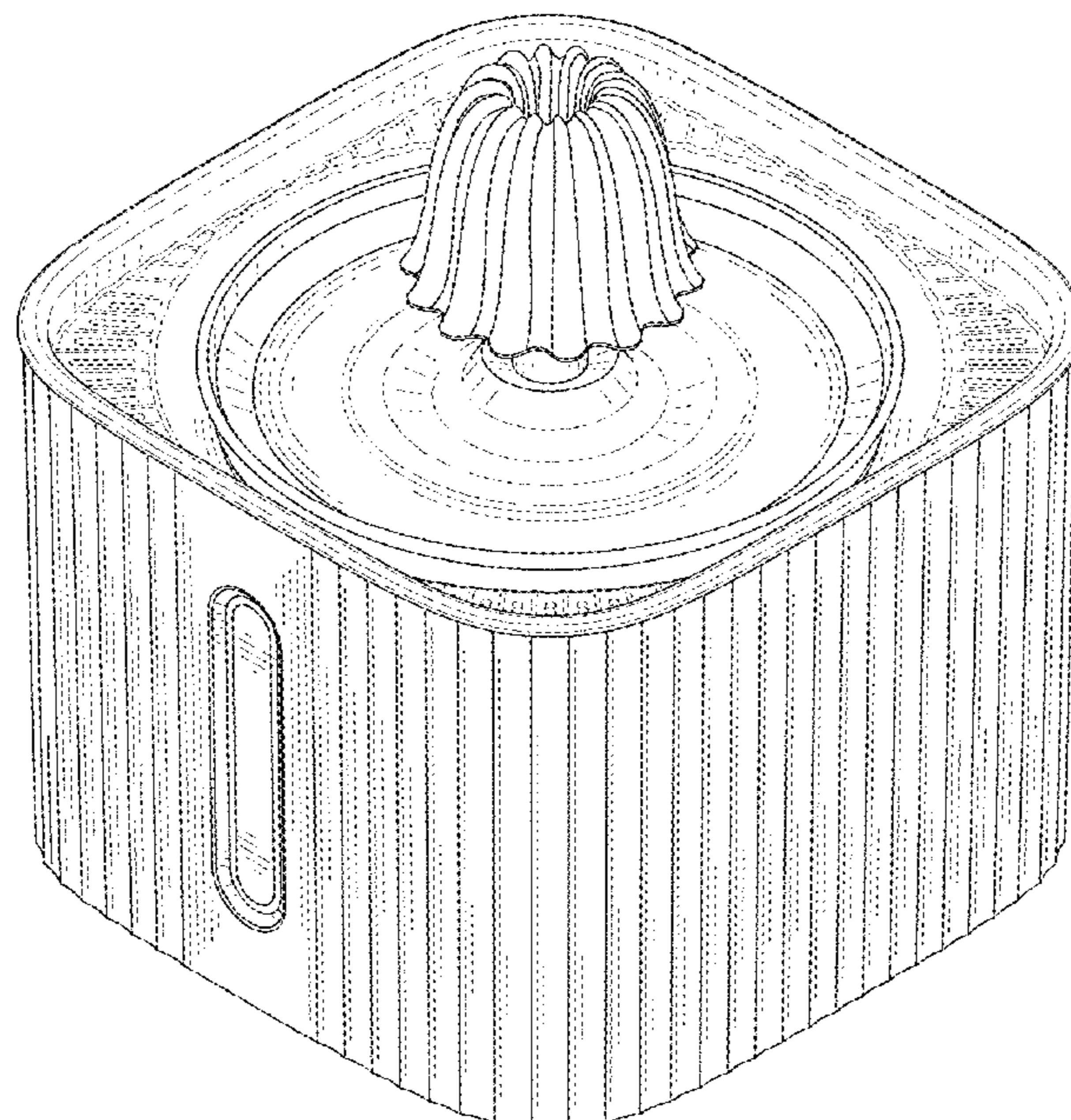
FIG. 6 is a right elevation view thereof;

FIG. 7 is a top plan view thereof; and,

FIG. 8 is a bottom plan view thereof.

The broken lines illustrate portions of the waterer for animals that form no part of the claimed design.

1 Claim, 8 Drawing Sheets



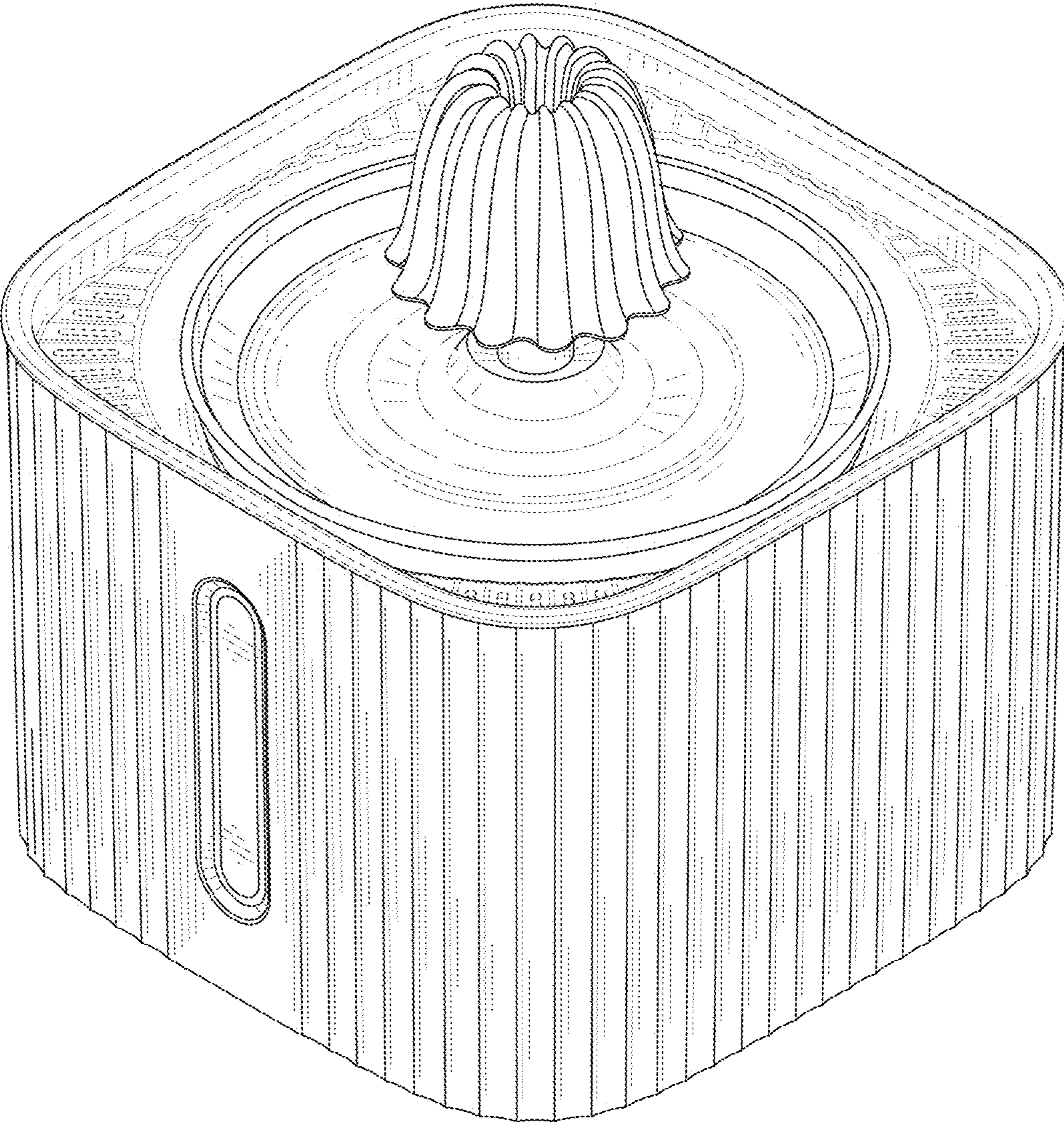


FIG. 1

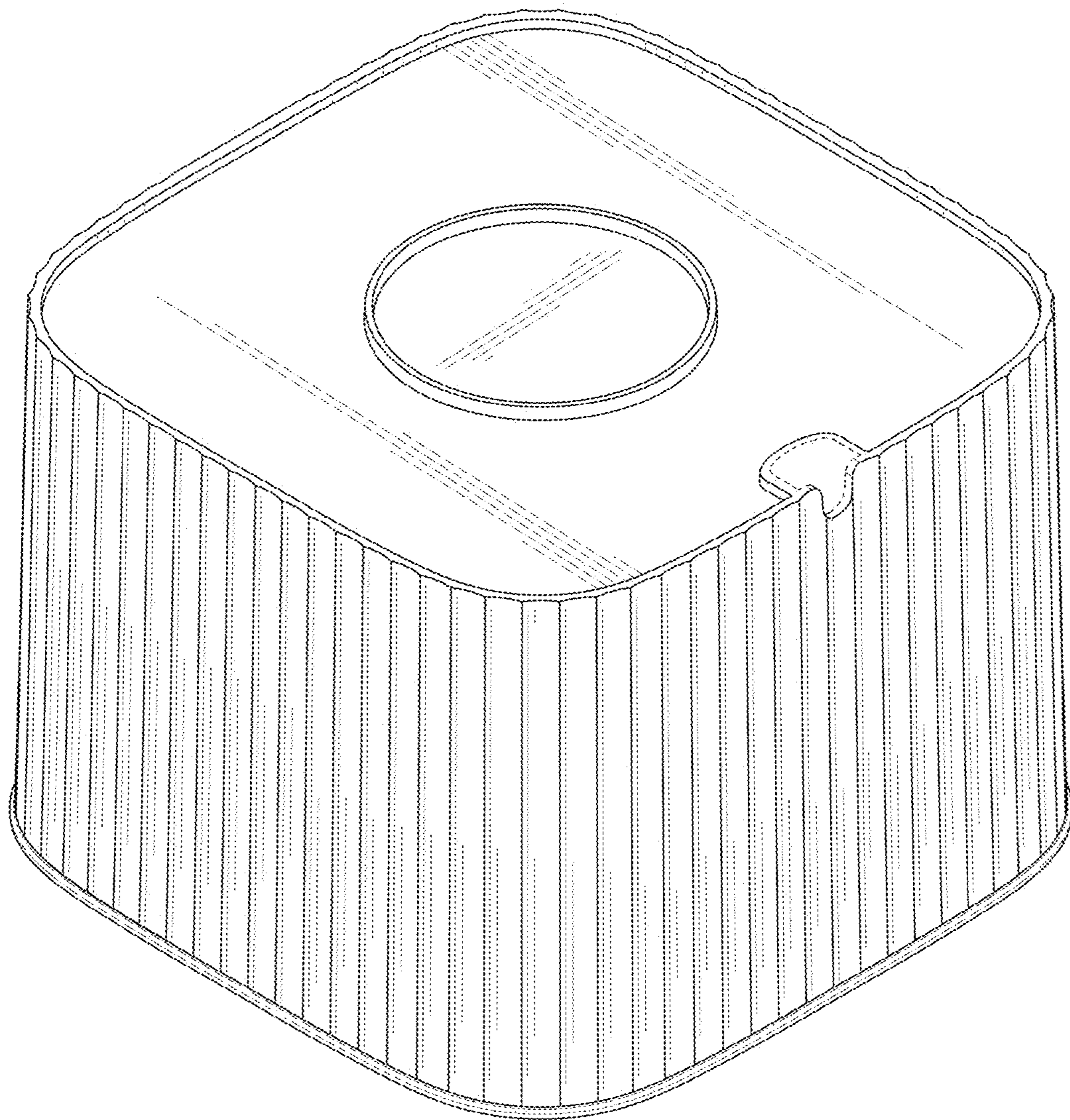


FIG. 2

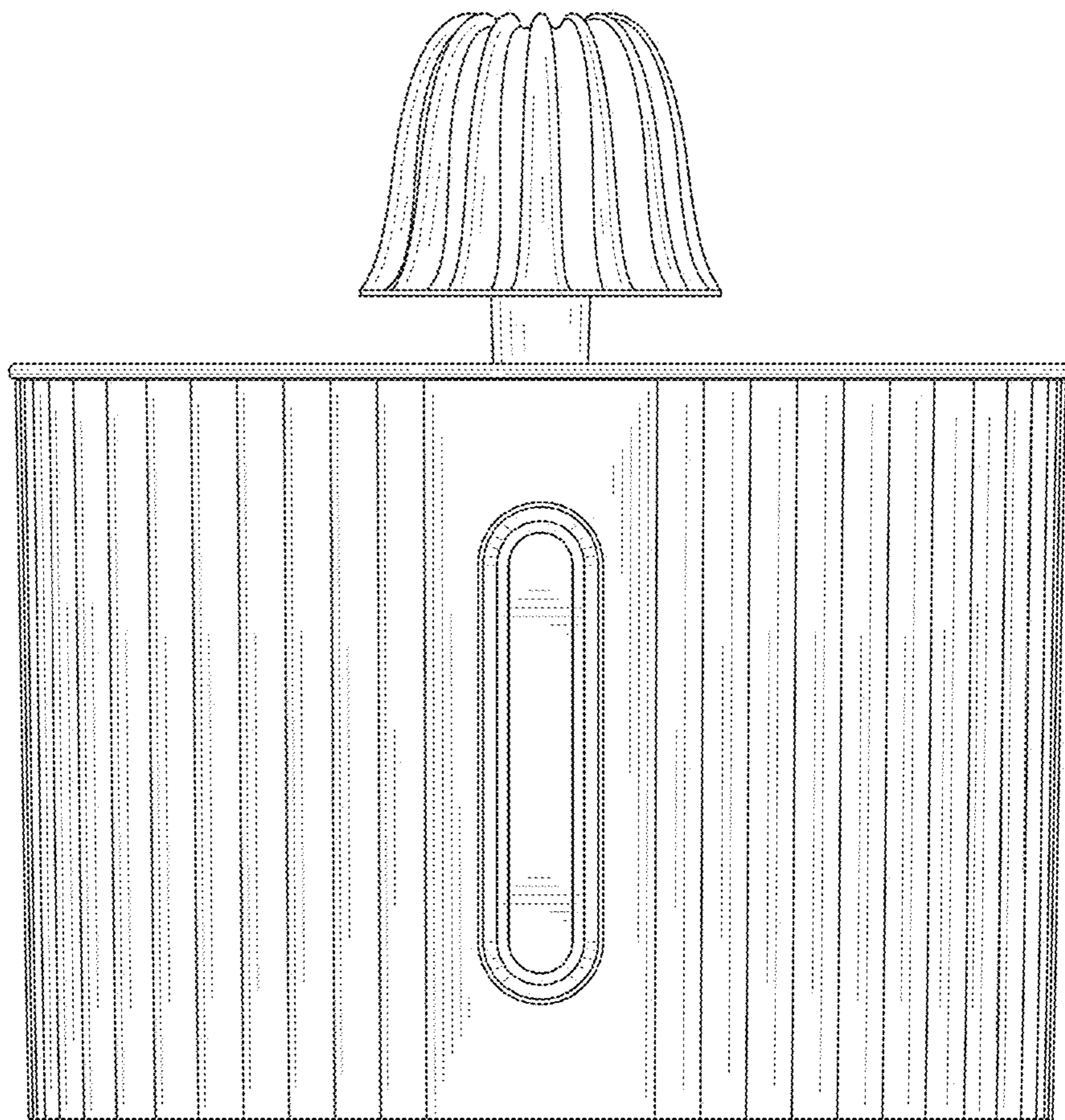


FIG. 3

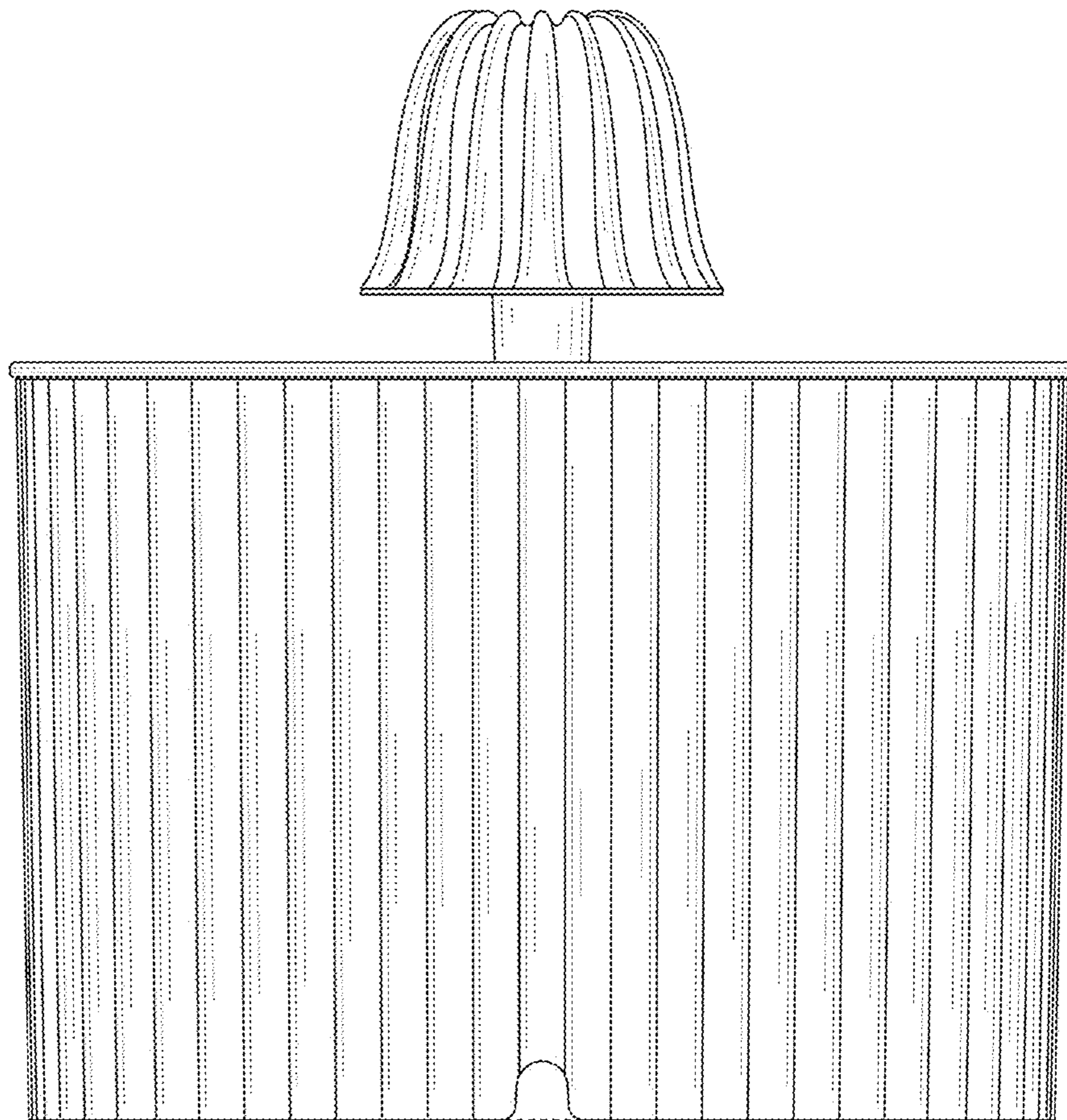


FIG. 4

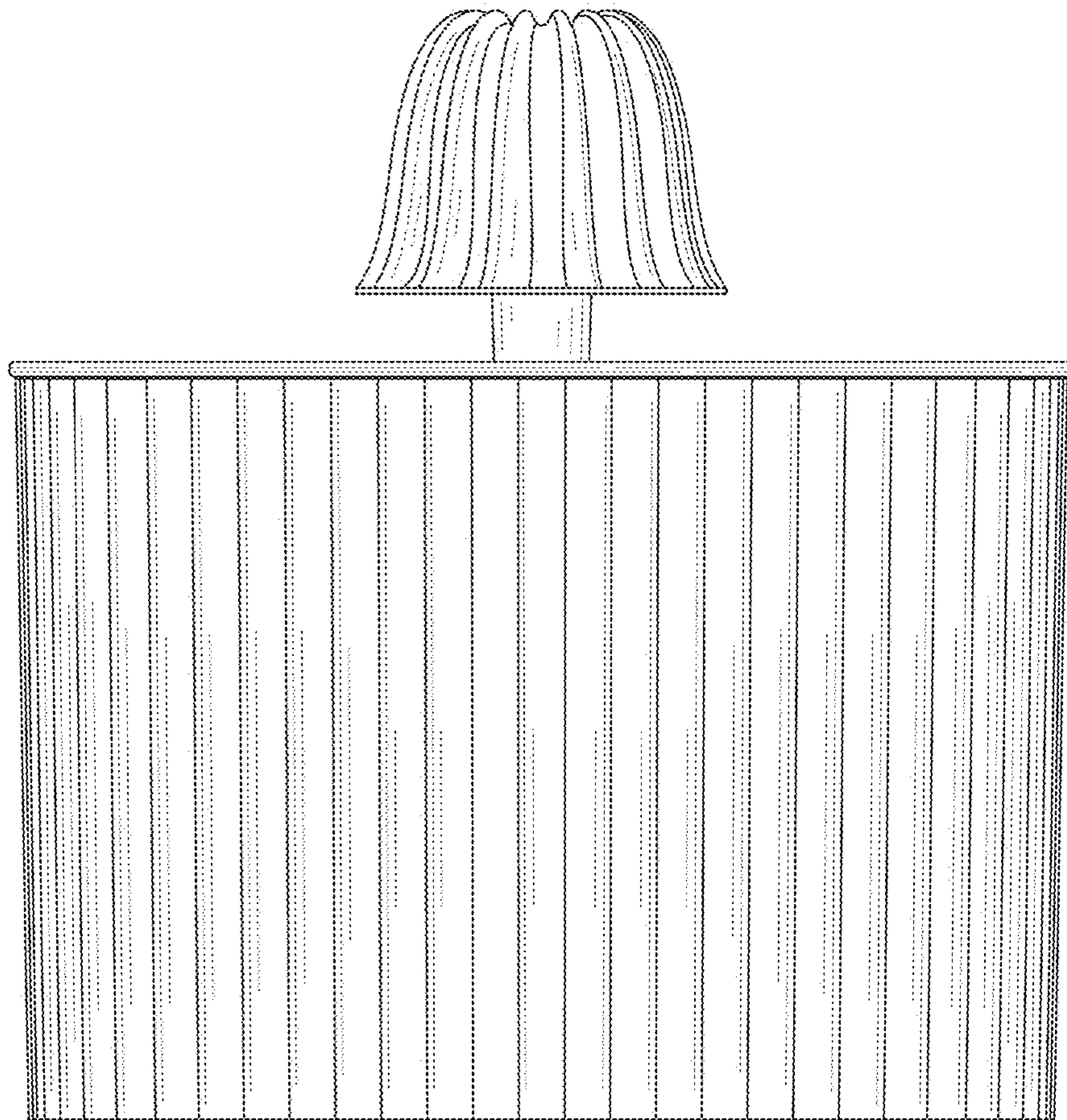


FIG. 5

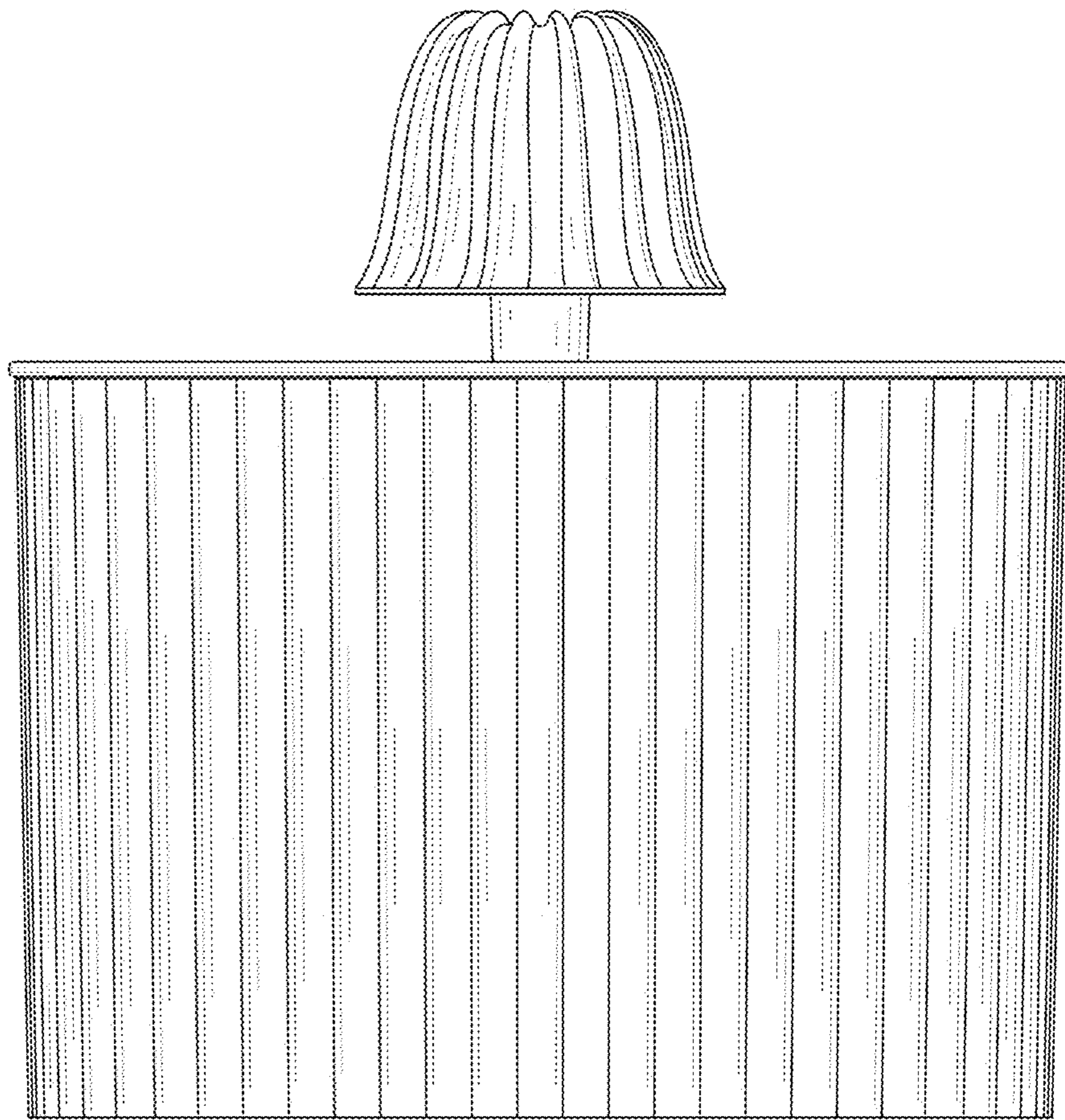


FIG. 6

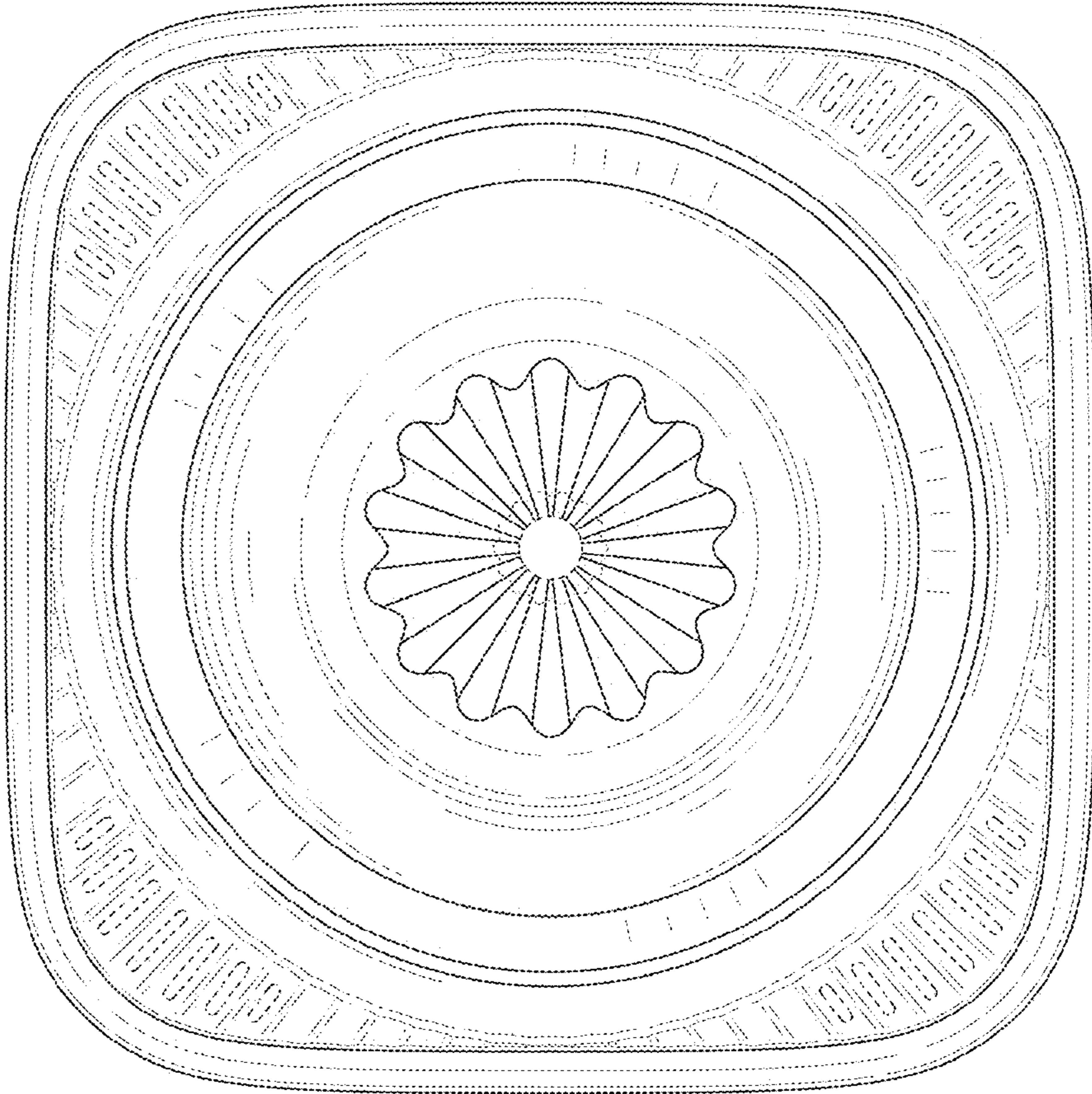


FIG. 7

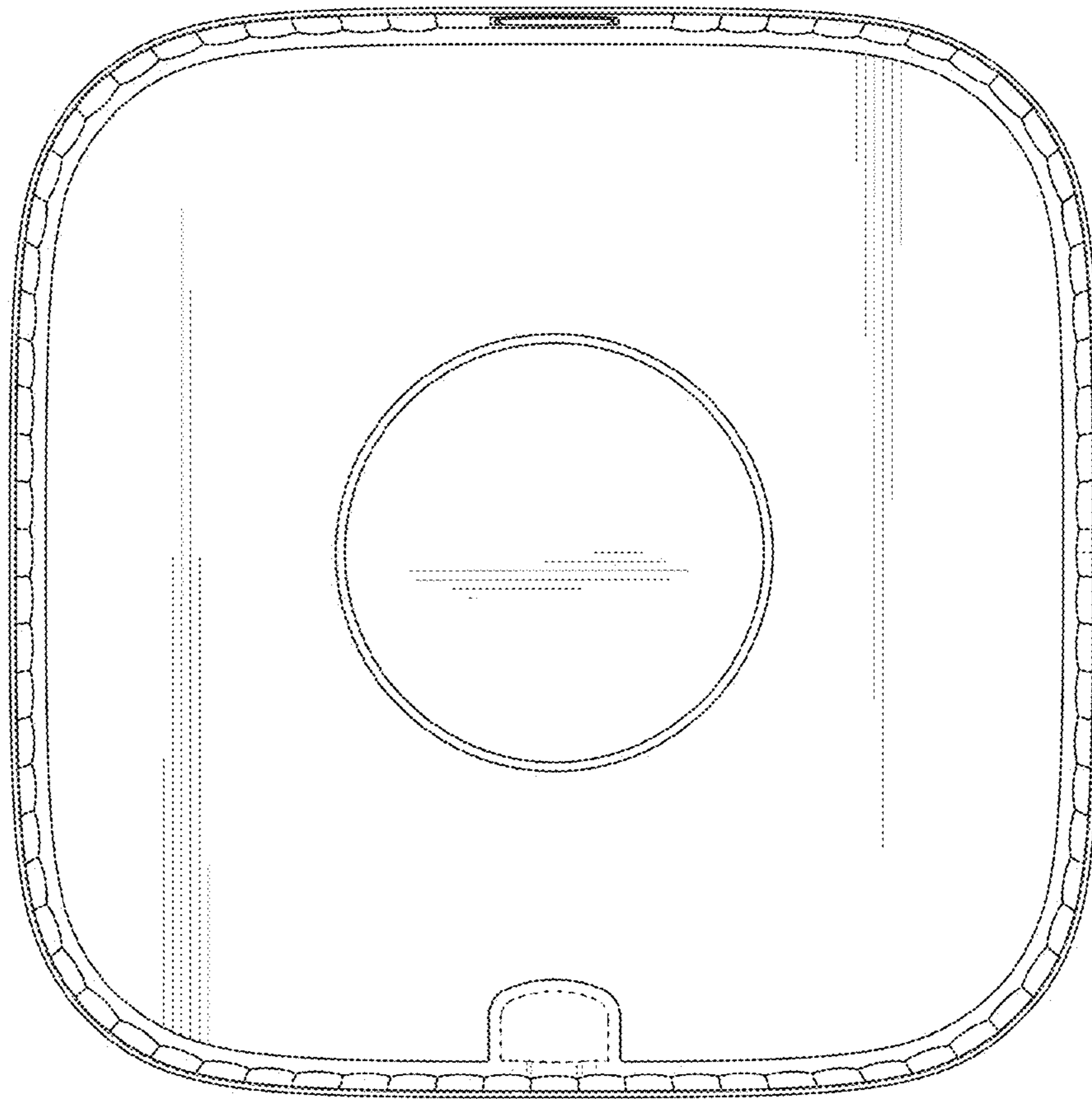


FIG. 8