



US00D914299S

(12) **United States Design Patent** (10) **Patent No.:** **US D914,299 S**
Twining (45) **Date of Patent:** **** Mar. 23, 2021**

(54) **POULTRY DRINKING DEVICE** 8,567,456 B1 * 10/2013 Francis B67C 11/02
141/286
(71) Applicant: **Ronald F. Twining**, Dripping Springs, TX (US) D757,372 S * 5/2016 Clinton D30/121
D847,448 S * 4/2019 Twining D34/1
D882,186 S * 4/2020 Daniel D30/122
(72) Inventor: **Ronald F. Twining**, Dripping Springs, TX (US) 2007/0272328 A1 * 11/2007 Chang B67C 11/02
141/331
2008/0053566 A1 * 3/2008 England B67C 11/02
141/331

(**) Term: **15 Years**

(21) Appl. No.: **29/656,149**

(22) Filed: **Jul. 10, 2018**

(51) **LOC (13) Cl.** **30-03**

(52) **U.S. Cl.**

USPC **D30/132**

(58) **Field of Classification Search**

USPC D30/121, 122, 129, 130, 131, 132, 133,
D30/199; 119/61.5, 51.01, 61.56, 51.03,
119/59, 62, 63, 51.5, 57.8, 74, 61.54,
119/61.55, 53, 53.5, 75, 56.2, 51.02,
119/51.11, 51.12, 57.1, 52.1, 515

CPC A01K 5/00; A01K 5/0291; A01K 7/00;
A01K 7/005; A01K 7/02; A01K 39/02;
A01K 39/04

See application file for complete search history.

(56) **References Cited**

U.S. PATENT DOCUMENTS

1,779,746 A * 10/1930 Murdey A01K 39/02
119/74
1,787,544 A * 1/1931 Null A01K 39/02
119/74
2,496,030 A * 1/1950 Winey A01K 39/02
119/72
D218,831 S * 9/1970 Leeming D30/129
D218,979 S * 10/1970 Kofford D30/132
D309,241 S * 7/1990 Ayyoubi D23/200
D584,378 S * 1/2009 Wilson D23/207

OTHER PUBLICATIONS

“Freeze-Guard2 Poultry Drinker—Roost & Root” available May 28, 2020, [online], [site visited May 28, 2020]. Retrieved from Internet, URL: <https://roostandroot.com/product/no-freeze-poultry-nipple/> (Year: 2020).*

“No Freeze Poultry Nipple Spring Adjustment” (via YouTube), available Nov. 14, 2018, [online], [site visited May 28, 2020]. Retrieved from Internet, URL: <https://www.youtube.com/watch?v=yGjOMgmKP8c> (Year: 2018).*

* cited by examiner

Primary Examiner — Michael C Stout

Assistant Examiner — Katrina N Gonzalez

(74) *Attorney, Agent, or Firm* — Douglas Baldwin, P.C.

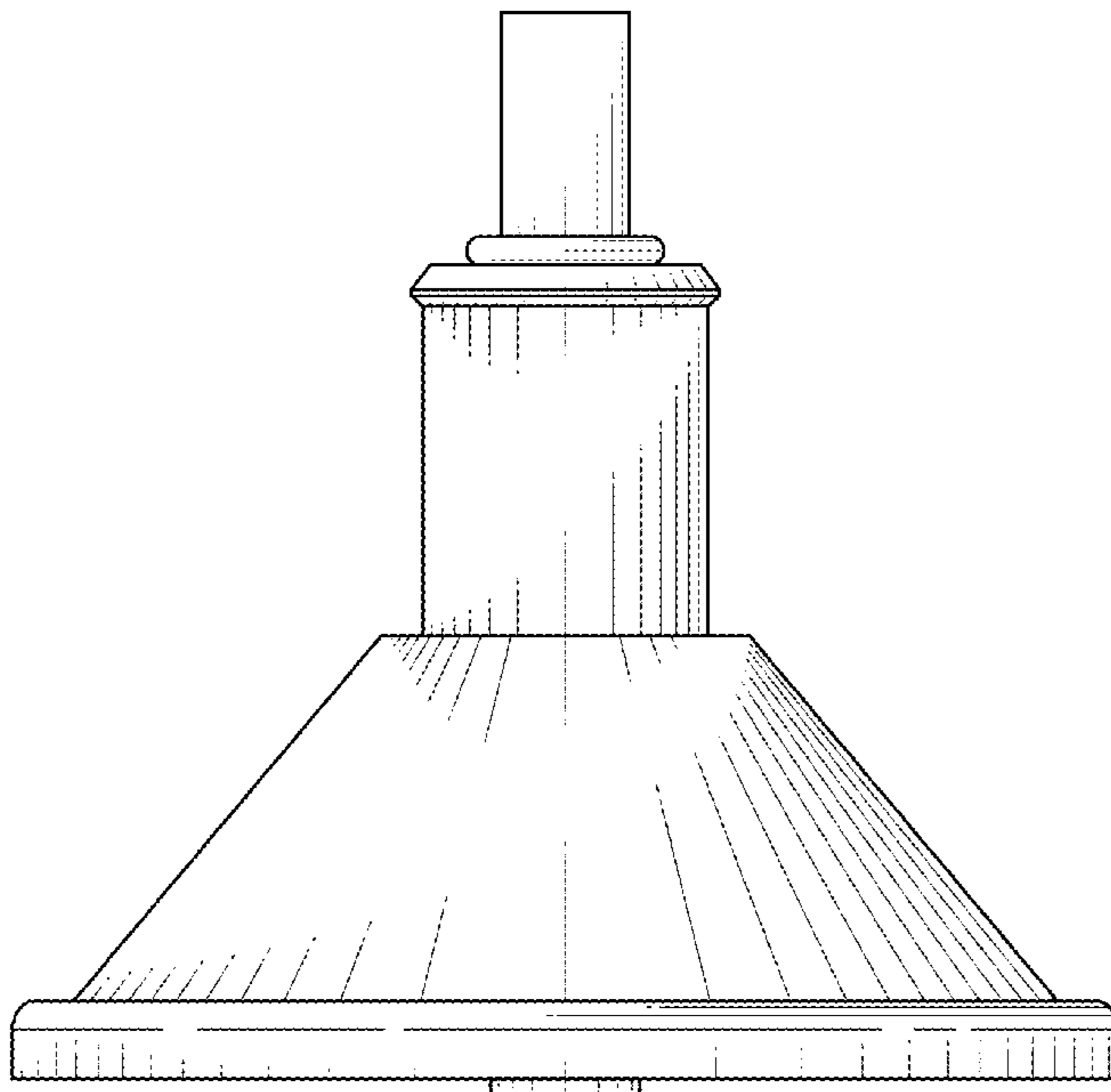
(57) **CLAIM**

The ornamental design for a poultry drinking device, as shown.

DESCRIPTION

FIG. 1 is a front elevational view of a poultry drinking device showing my new design; FIG. 2 is a top plan view thereof; FIG. 3 is a bottom plan view thereof; and, FIG. 4 is a bottom perspective view thereof.

1 Claim, 2 Drawing Sheets



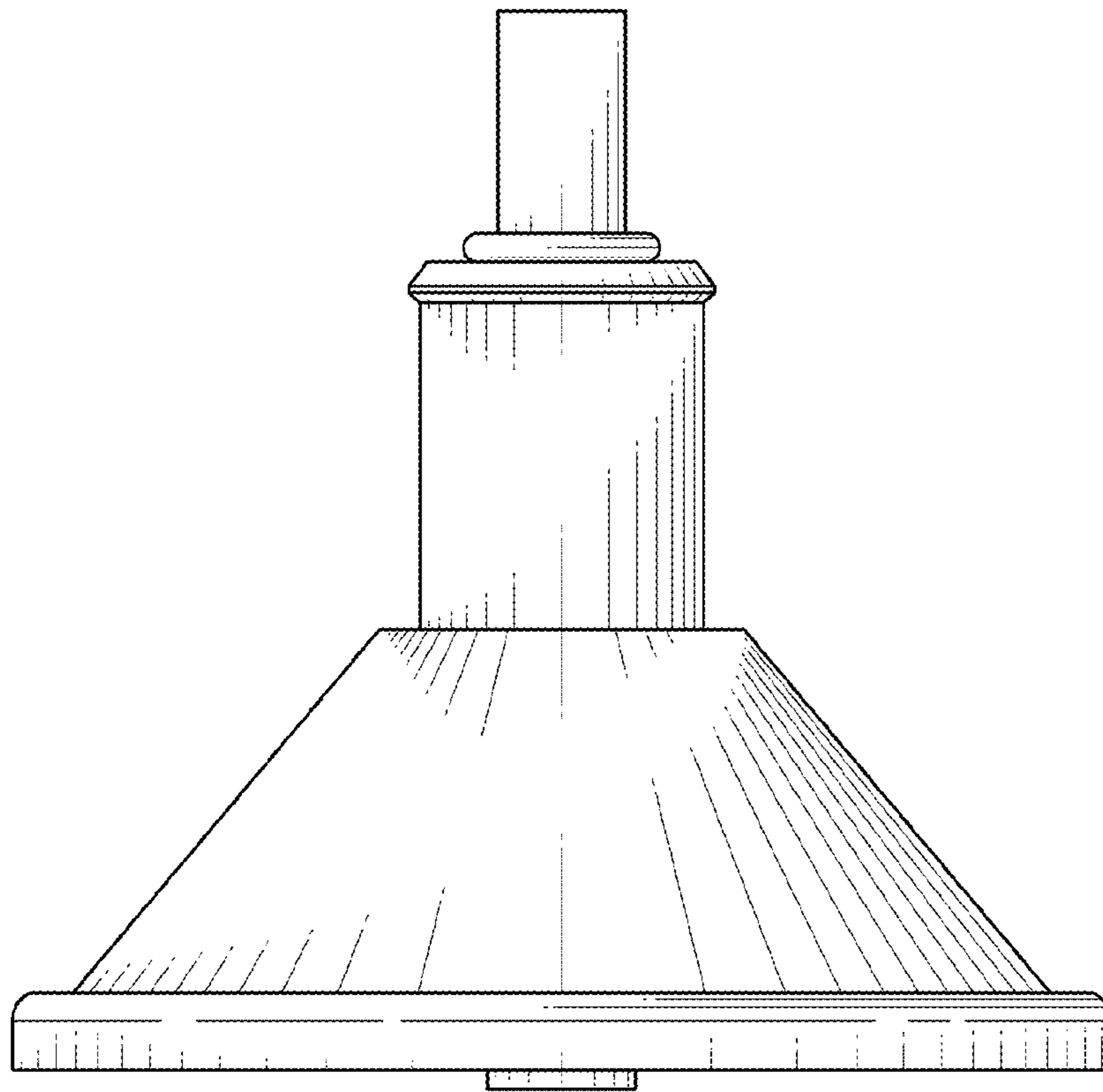


FIG. 1

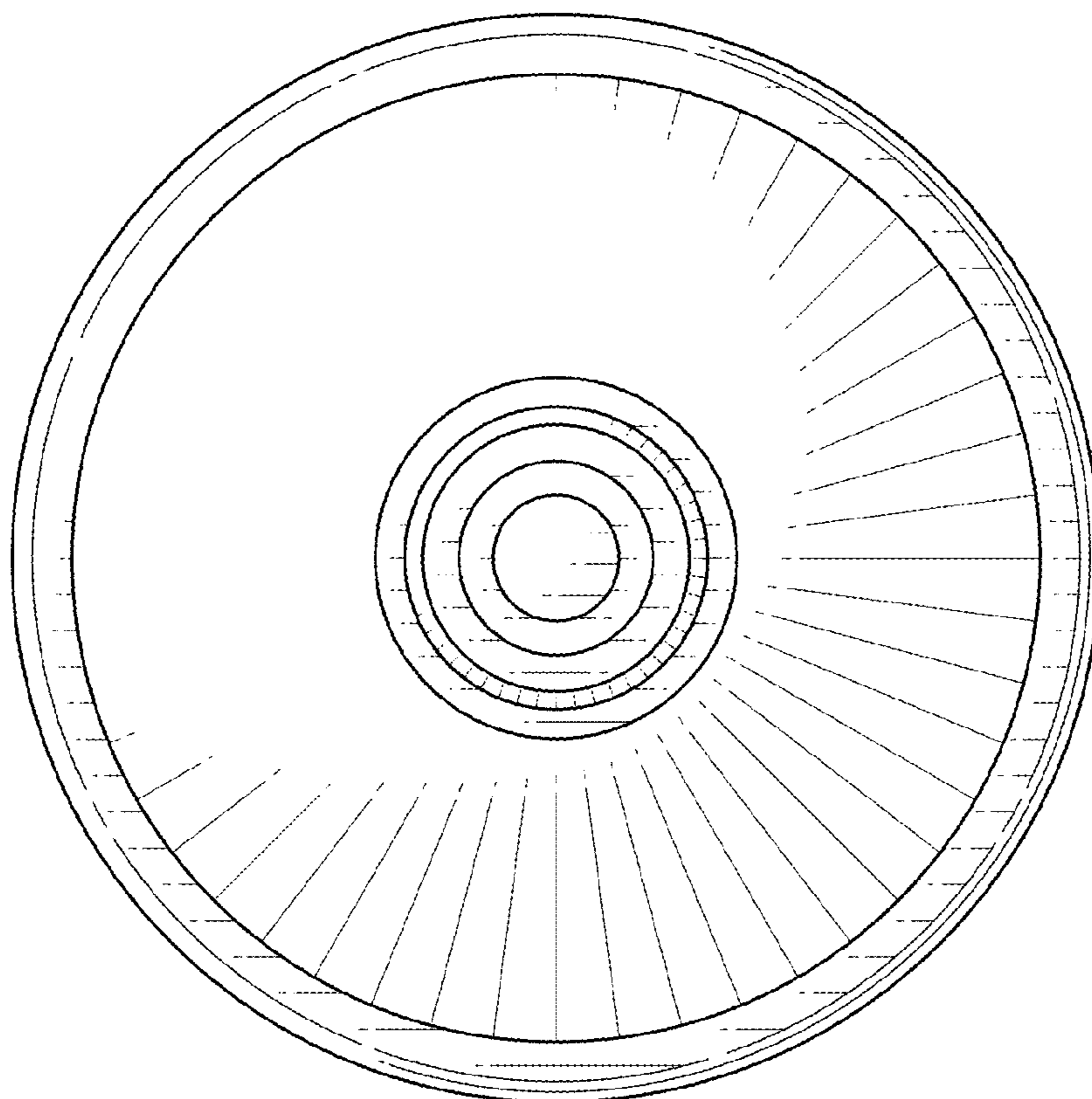


FIG. 2

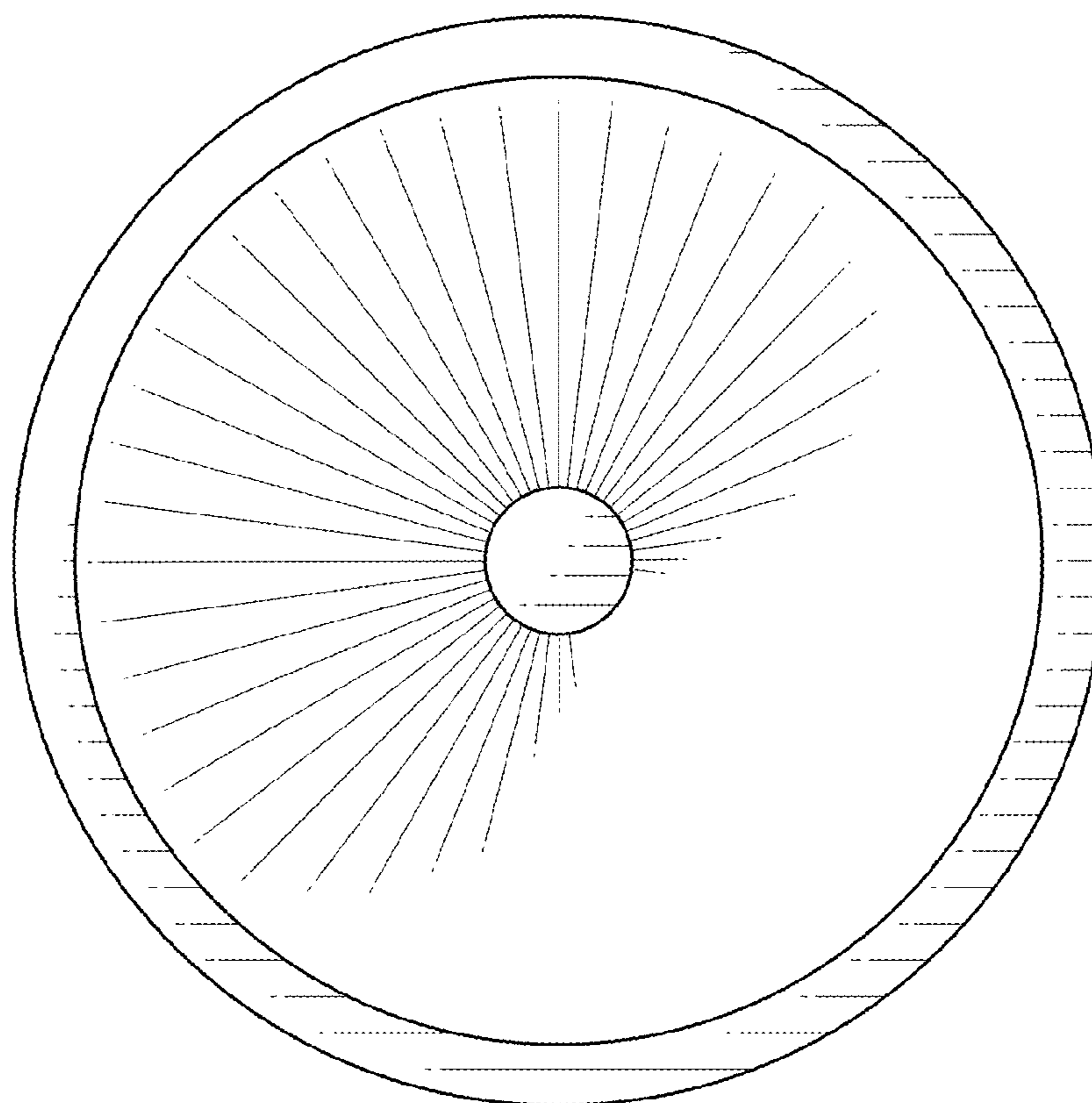


FIG. 3

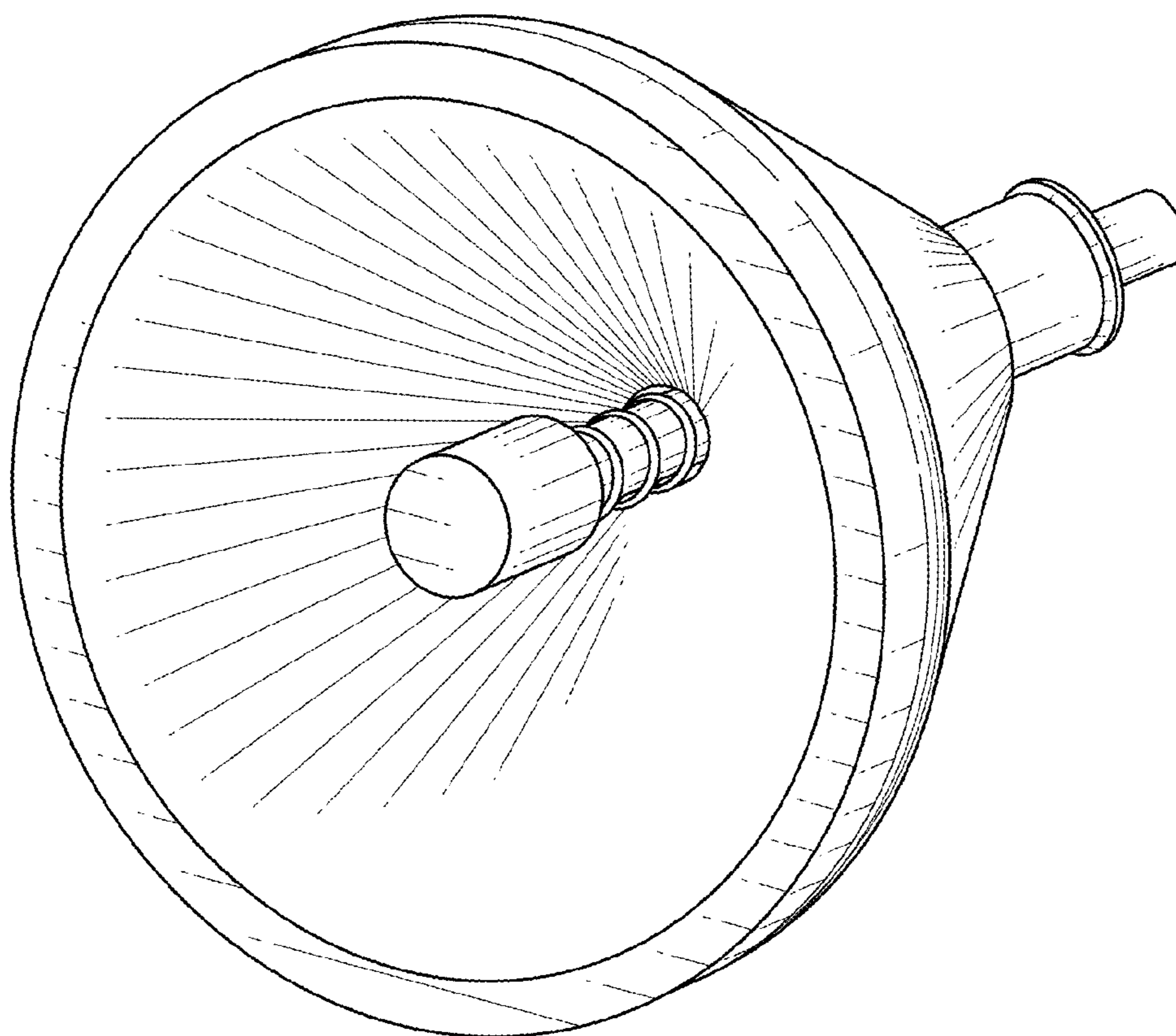


FIG. 4