



US00D914296S

(12) **United States Design Patent**  
**Whiteside**

(10) **Patent No.:** **US D914,296 S**

(45) **Date of Patent:** **\*\* Mar. 23, 2021**

(54) **WORK GLOVE**

6,265,191 B1 7/2001 Mizusawa et al.  
D445,996 S \* 8/2001 Kiernan ..... D2/617  
6,374,417 B1 4/2002 Stagnitta  
(Continued)

(71) Applicant: **Midwest Quality Gloves, Inc.**,  
Chillicothe, MO (US)

(72) Inventor: **Anne Walters Whiteside**, Chillicothe,  
MO (US)

**FOREIGN PATENT DOCUMENTS**

JP 11012820 A 1/1999

(73) Assignee: **Midwest Quality Gloves, Inc.**,  
Chillicothe, MO (US)

**OTHER PUBLICATIONS**

Men's Heavy Duty Work Gloves, posted at amazon.com, posting date Oct. 15, 2006, [online], [site visited Oct. 23, 2020]. Available from Internet, URL: <https://www.amazon.com/100-gram-Insulation-Wells-Lamont-5235M/dp/B000HHM0AO> (Year: 2006).\*

(\*\*) Term: **15 Years**

(Continued)

(21) Appl. No.: **29/695,333**

(22) Filed: **Jun. 18, 2019**

(51) **LOC (13) Cl.** ..... **02-06**

(52) **U.S. Cl.**  
USPC ..... **D29/117.2**; D2/617

(58) **Field of Classification Search**  
USPC ..... D2/617, 619; D29/117.2, 117.1  
CPC ... A41D 19/015; A41D 19/00; A41D 2600/20  
See application file for complete search history.

*Primary Examiner* — George D. Kirschbaum

*Assistant Examiner* — Maria J. Edwards

(74) *Attorney, Agent, or Firm* — Erickson Kernell IP,  
LLC; Ginnie C. Derousseau

(57) **CLAIM**

The ornamental design for a work glove, as shown and described.

(56) **References Cited**

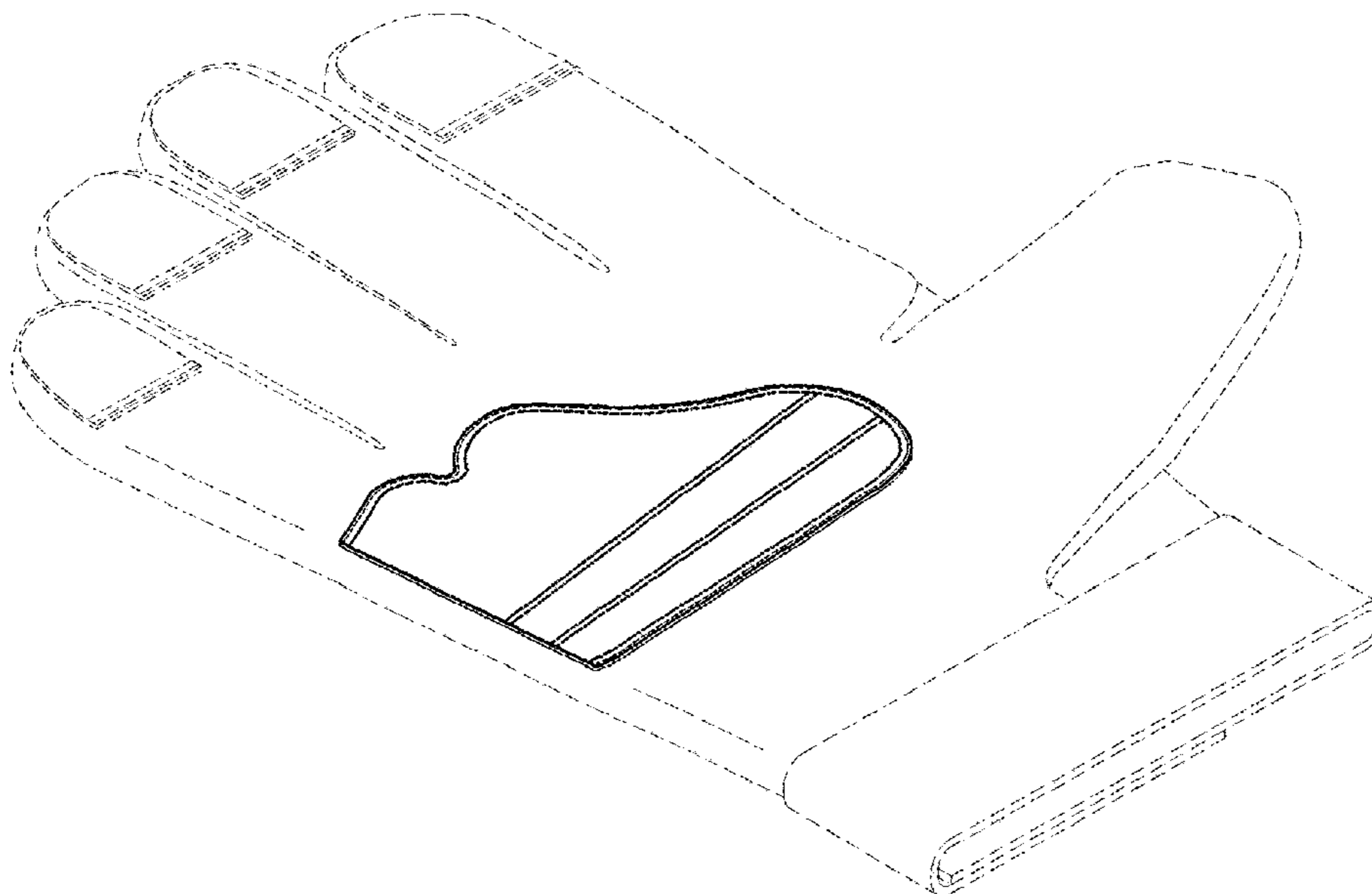
**DESCRIPTION**

**U.S. PATENT DOCUMENTS**

168,836 A	10/1875	Hall	
2,187,430 A	1/1940	Olmsted	
3,868,985 A	3/1975	Georges	
D240,975 S *	8/1976	Gregory	..... D29/117.1
4,663,231 A	5/1987	Girgis et al.	
D347,709 S	6/1994	Pearson	
5,322,729 A	6/1994	Heeter et al.	
5,625,900 A	5/1997	Hayes	
5,706,522 A	1/1998	Bailarino et al.	
5,740,551 A	4/1998	Walker	
D398,086 S	9/1998	Ferdenzi	
5,822,791 A	10/1998	Baris	
5,942,452 A	8/1999	Daponte et al.	
6,044,494 A	4/2000	Kang	
6,081,928 A	7/2000	Bourne	

FIG. 1 is a perspective view of the work glove in accordance with the present invention;  
FIG. 2 is a plan view of the work glove of FIG. 1;  
FIG. 3 is a side view of the work glove of FIG. 2;  
FIG. 4 is a second side view of the work glove of FIG. 2;  
FIG. 5 is a first end view of the work glove of FIG. 2; and,  
FIG. 6 is a second end view of the work glove of FIG. 2.  
The broken lines showing a glove illustrate portions of the work glove and form no part of the claimed design. The double rows of broken lines within the claimed portion of the design represent stitching and form part of the claimed design.

**1 Claim, 3 Drawing Sheets**



(56)

References Cited

U.S. PATENT DOCUMENTS

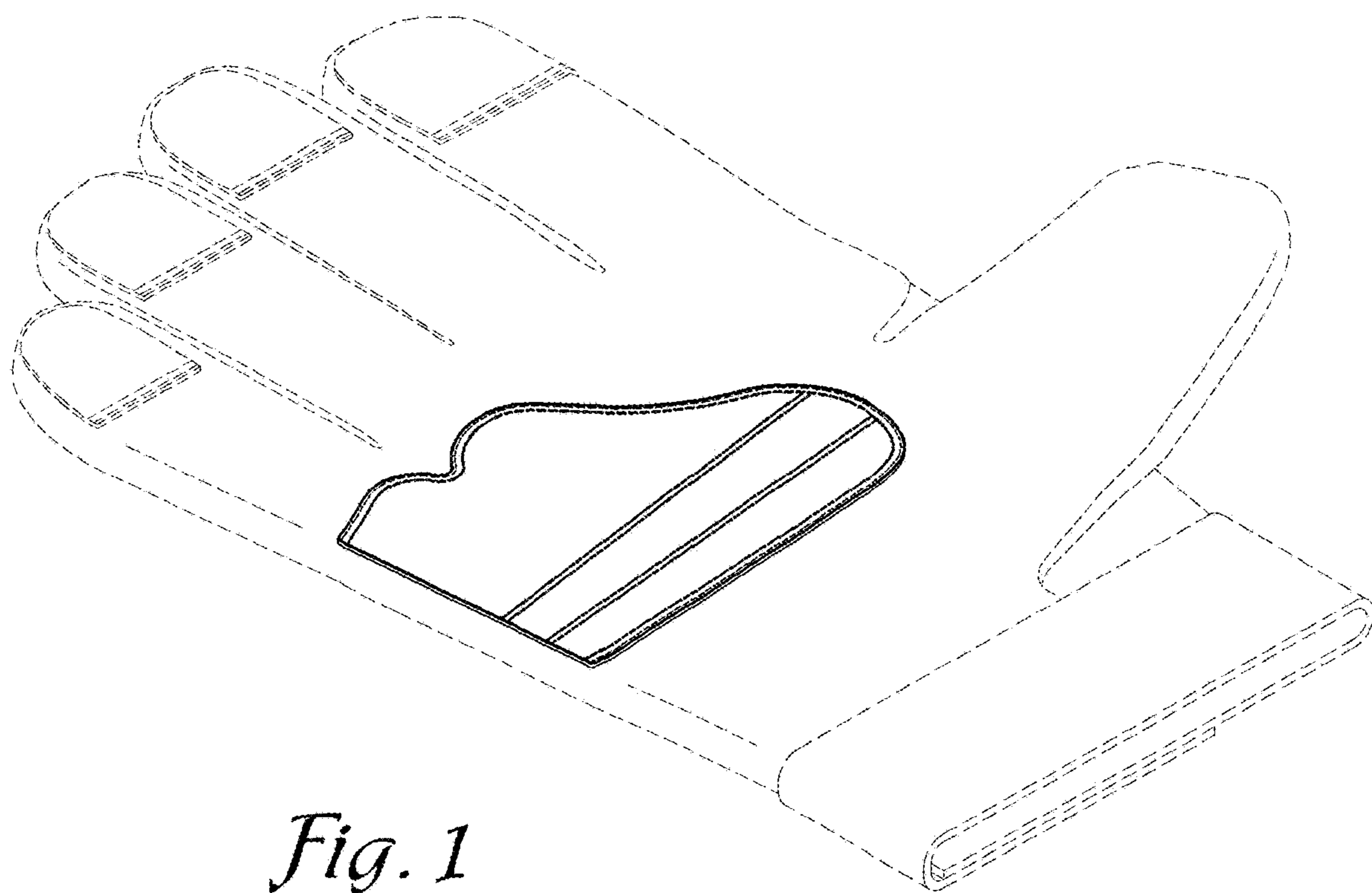
6,395,656 B1 5/2002 Jin et al.  
 6,526,593 B2 3/2003 Sajoyic  
 6,649,013 B2 11/2003 Jin et al.  
 6,772,444 B2 8/2004 Tremblay-Latter  
 D530,058 S 10/2006 Kishihara  
 7,284,263 B2 10/2007 Mack et al.  
 D565,802 S 4/2008 Schuller  
 D589,679 S \* 4/2009 Rolfe ..... D2/617  
 7,788,737 B2 9/2010 Baker  
 D631,613 S 1/2011 Yang  
 D649,328 S 11/2011 Copeland  
 D651,359 S \* 12/2011 Bulan ..... D29/117.1  
 D656,684 S \* 3/2012 Carroll ..... D29/117.1  
 D752,818 S 3/2016 Lai  
 D764,718 S 8/2016 Sibblies  
 9,468,837 B2 10/2016 Ramirez  
 D779,781 S \* 2/2017 Votel ..... D2/617  
 D780,380 S 2/2017 Daniels  
 D792,676 S 7/2017 Mikesell  
 D816,941 S 5/2018 Michaelson  
 D824,640 S \* 8/2018 Votel ..... D2/621

D828,632 S \* 9/2018 Coubard ..... D29/117.1  
 D839,488 S 1/2019 Whiteside  
 2008/0022436 A1 1/2008 Hull  
 2015/0181955 A1 7/2015 Hughes  
 2017/0142931 A1 5/2017 Michaelson

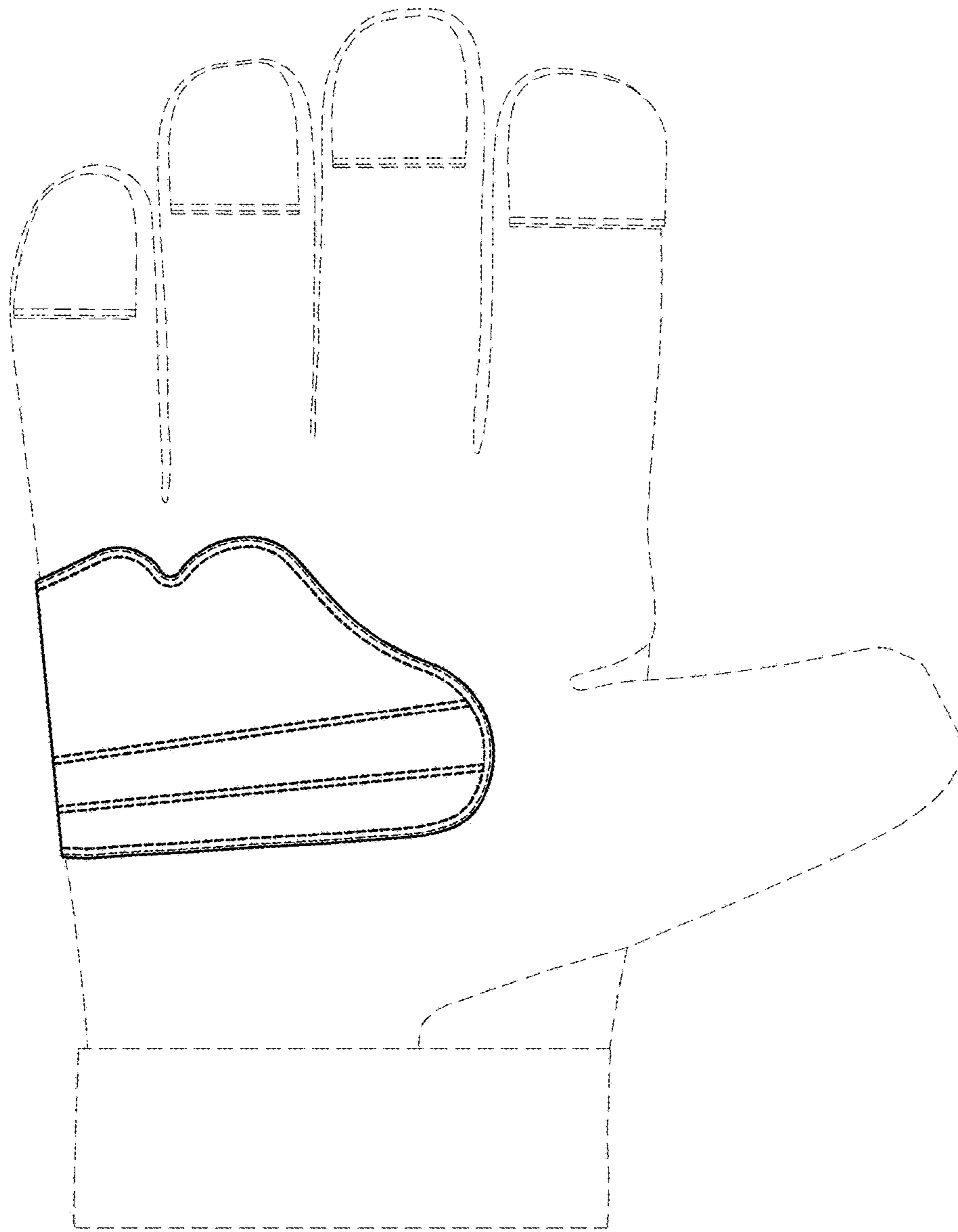
OTHER PUBLICATIONS

RW Rugged Wear Gloves, posted at menards.com, no posting date, [online], [site visited Oct. 23, 2020]. Available at URL: <https://www.menards.com/main/grocery-home/clothing-accessories/gloves/work-gloves/rw-rugged-wear-reg-mens-split-cowhide-leather-palm-leather-work-gloves/rw86014-l/p-1471355379516.htm> (Year: 2020).  
 Women's Heavy Duty Work Gloves, posted at amazon.com, posting date Feb. 17, 2007, [online], [site visited Oct. 23, 2020]. Available from Internet, URL: <https://www.amazon.com/Womens-Leather-Wells-Lamont-4113M/dp/B000BQWLEG> (Year: 2007).  
 MidWest Quality Gloves catalog, p. 2, Copyright 1988, Chillicothe, MO.  
 MidWest Quality Gloves catalog, pp. 1-16 and insert, Copyright 2014, Chillicothe, MO.

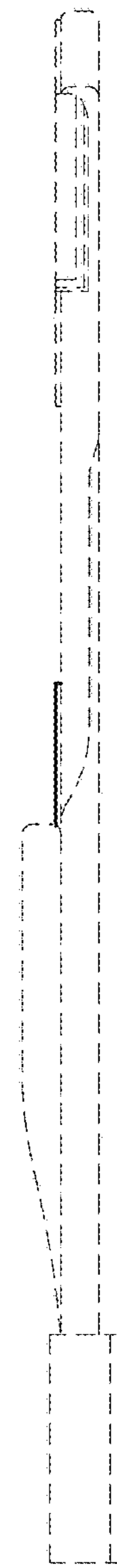
\* cited by examiner



*Fig. 1*



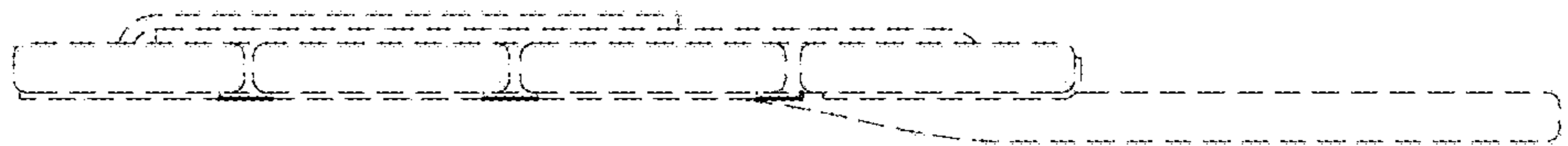
*Fig. 2*



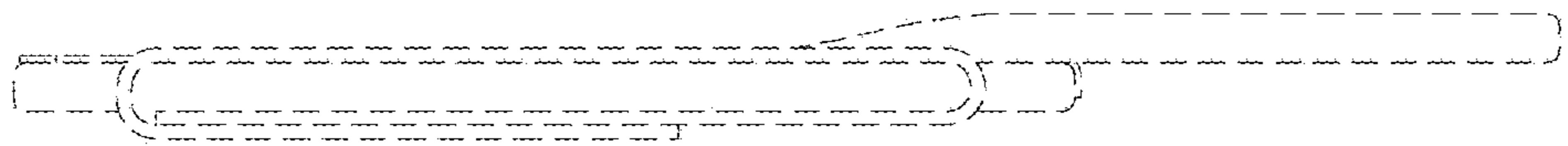
*Fig. 3*



*Fig. 4*



*Fig. 5*



*Fig. 6*