



US00D914292S

(12) **United States Design Patent**
Dalton

(10) **Patent No.:** **US D914,292 S**
(45) **Date of Patent:** **** Mar. 23, 2021**

(54) **DOUBLE LEVER NAIL CLIPPER**

(57) **CLAIM**

(71) Applicant: **Michael T. Dalton**, Blairsville, GA
(US)

The ornamental design for a double lever nail clipper, as shown and described.

(72) Inventor: **Michael T. Dalton**, Blairsville, GA
(US)

(**) Term: **15 Years**

DESCRIPTION

(21) Appl. No.: **29/669,904**

(22) Filed: **Nov. 12, 2018**

(51) **LOC (13) Cl.** **28-03**

(52) **U.S. Cl.**
USPC **D28/60**

(58) **Field of Classification Search**
USPC D28/60
CPC A45D 29/02-023; A45D 2029/026
See application file for complete search history.

FIG. 1 is a perspective view of a first embodiment of my double level nail clipper, this embodiment having double finger buttons;
FIG. 2 is a left and right side view thereof;
FIG. 3 is a top and bottom view thereof;
FIG. 4 is a rear view thereof;
FIG. 5 is a front view thereof;
FIG. 6 is a side view thereof with the clipper handles rotated 180 degrees, but not engaged;
FIG. 7 is a side view thereof with the clipper handles rotated 180 degrees and engaged;
FIG. 8 is a front view thereof with the clipper handles extended straight out, but not rotated;
FIG. 9 is side view thereof with the clipper handles in a standard use position, but not engaged;
FIG. 10 is a side view thereof with the clipper handles in a standard use position and engaged.
FIG. 11 is a perspective view of a second embodiment of my double level nail clipper, this embodiment having single finger buttons;
FIG. 12 is a top and bottom view thereof;
FIG. 13 is a left and right view thereof;
FIG. 14 is a rear view thereof;
FIG. 15 is a front view thereof;
FIG. 16 is a side view thereof with the clipper handles rotated, but not engaged;
FIG. 17 is a side view thereof with the clipper handles rotated and engaged; and,
FIG. 18 is a front view thereof with the clipper handles extended straight out, but not rotated.

(56) **References Cited**

U.S. PATENT DOCUMENTS

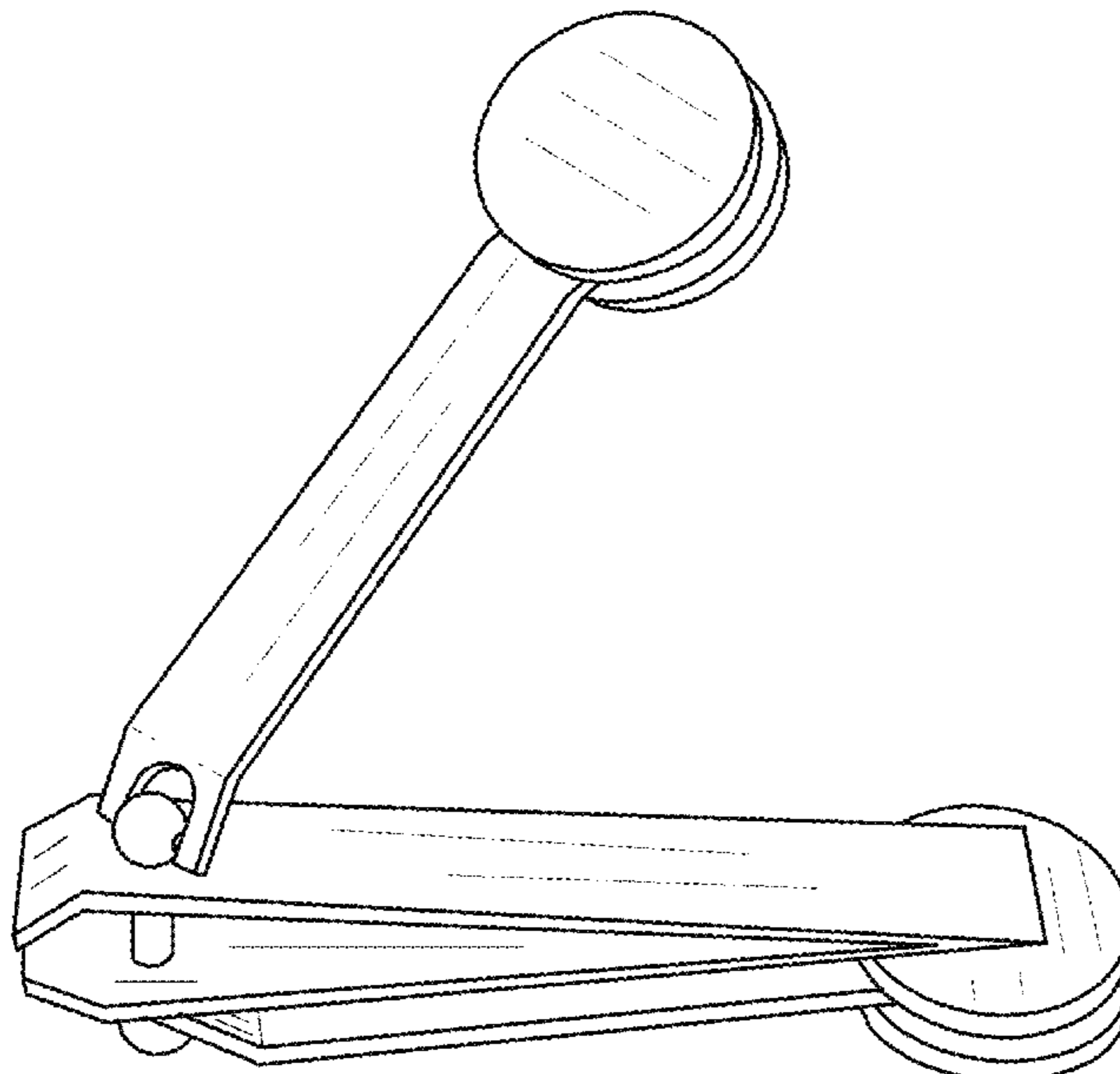
6,220,251	B1 *	4/2001	Jeong	A45D 29/04 132/73.5
D482,823	S *	11/2003	Toney	D28/60
D498,333	S *	11/2004	Di Bitonto	D28/60
D516,249	S *	2/2006	Merheje	D28/60
7,575,335	B2 *	8/2009	Neal	A45D 29/02 362/119
D625,884	S *	10/2010	Ashok	D28/60
D634,066	S *	3/2011	Mengri	D28/44
2016/0073760	A1 *	3/2016	Rizzi	A45D 29/06 132/200
2017/0231361	A1 *	8/2017	Yurosko	A45D 29/02 30/28
2019/0239615	A1 *	8/2019	Dalton	A45D 29/02

* cited by examiner

Primary Examiner — Jennifer Rivard

(74) *Attorney, Agent, or Firm* — Clifford H. Kraft

1 Claim, 11 Drawing Sheets



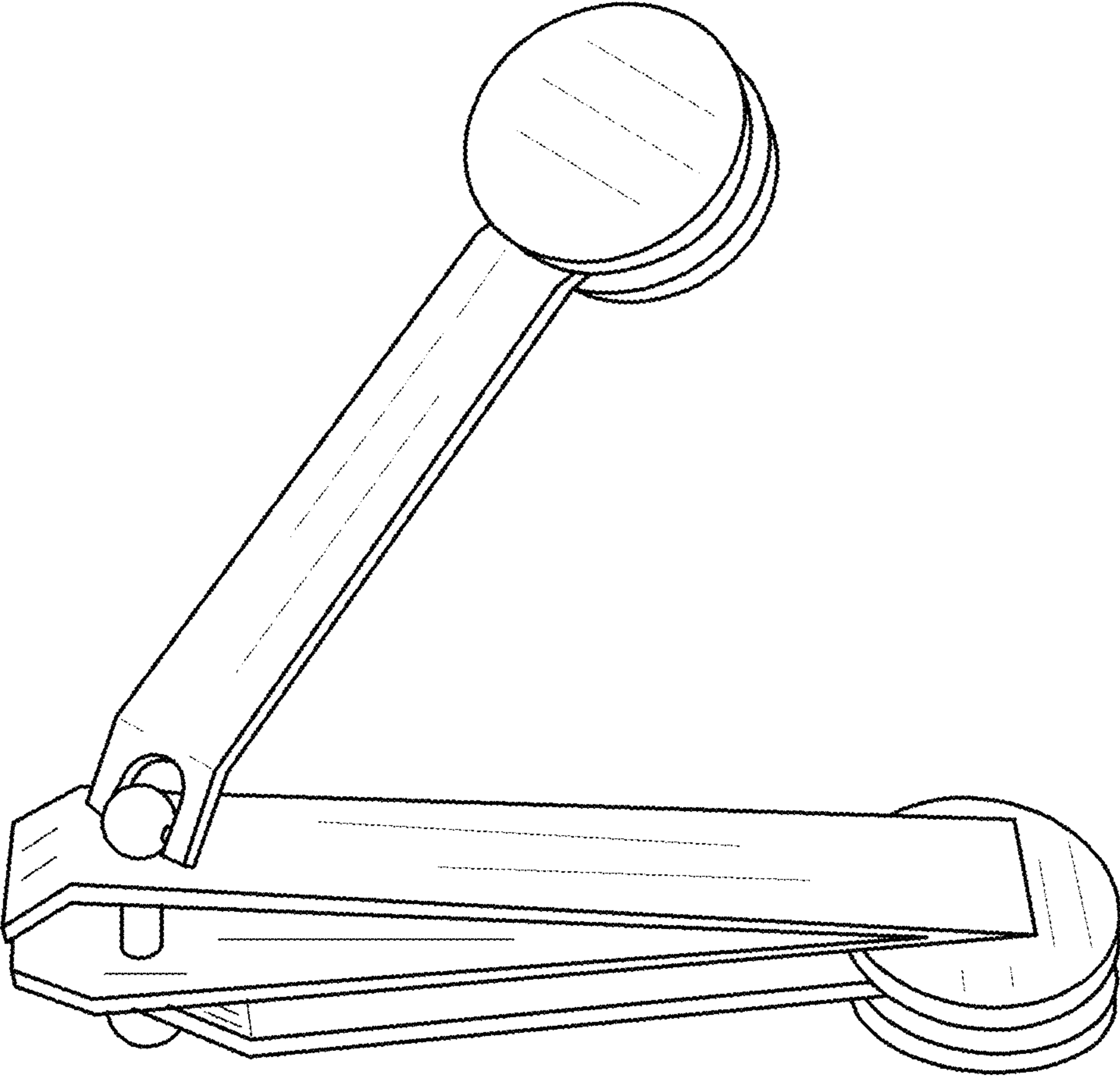


Fig. 1

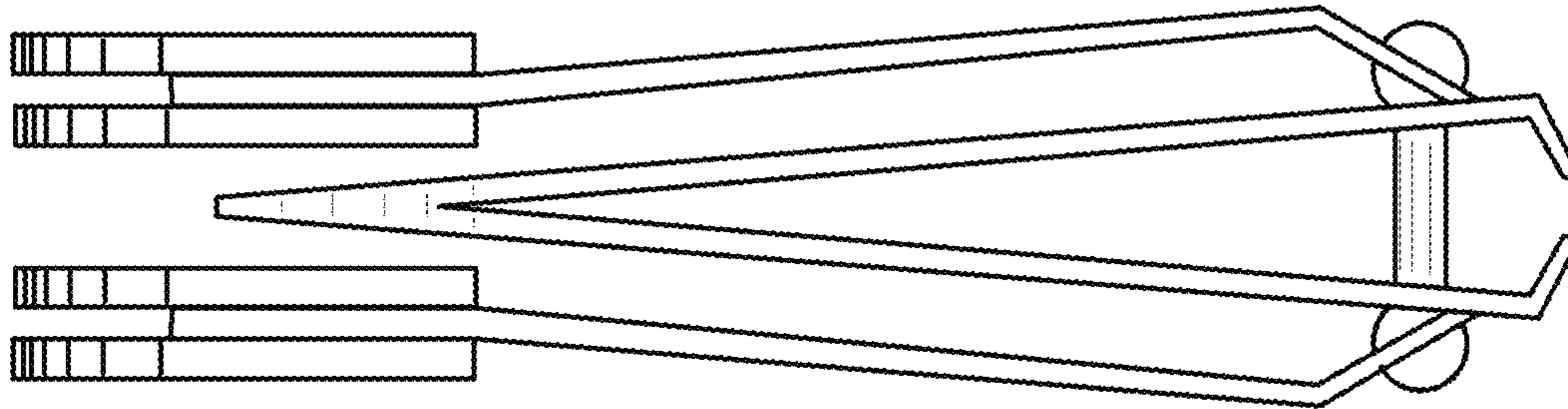


Fig. 2

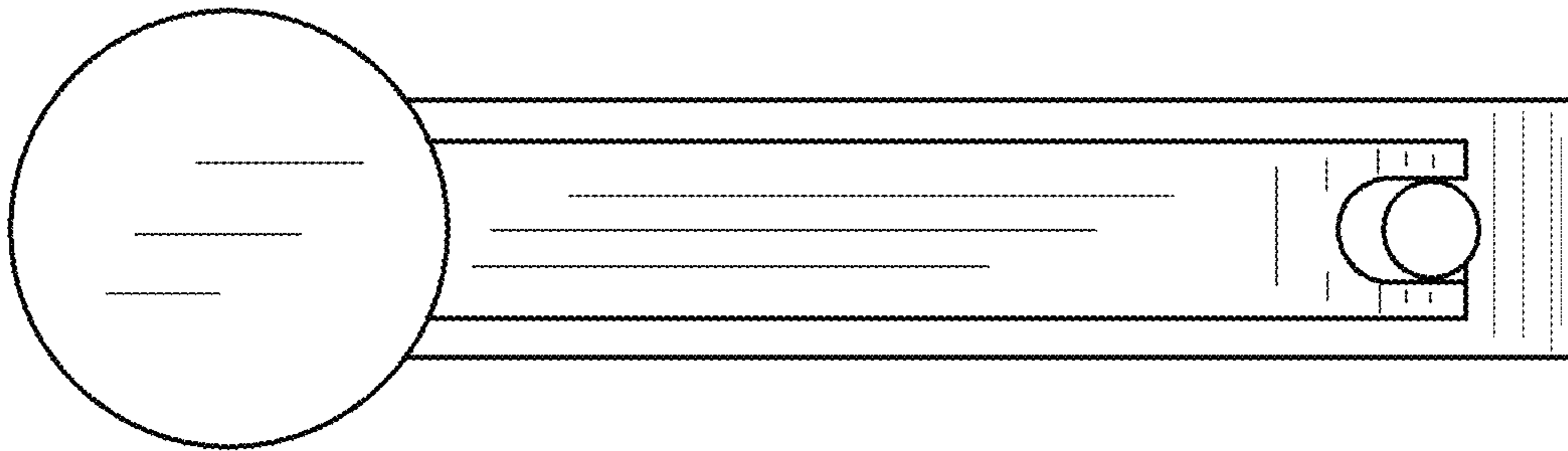


Fig. 3

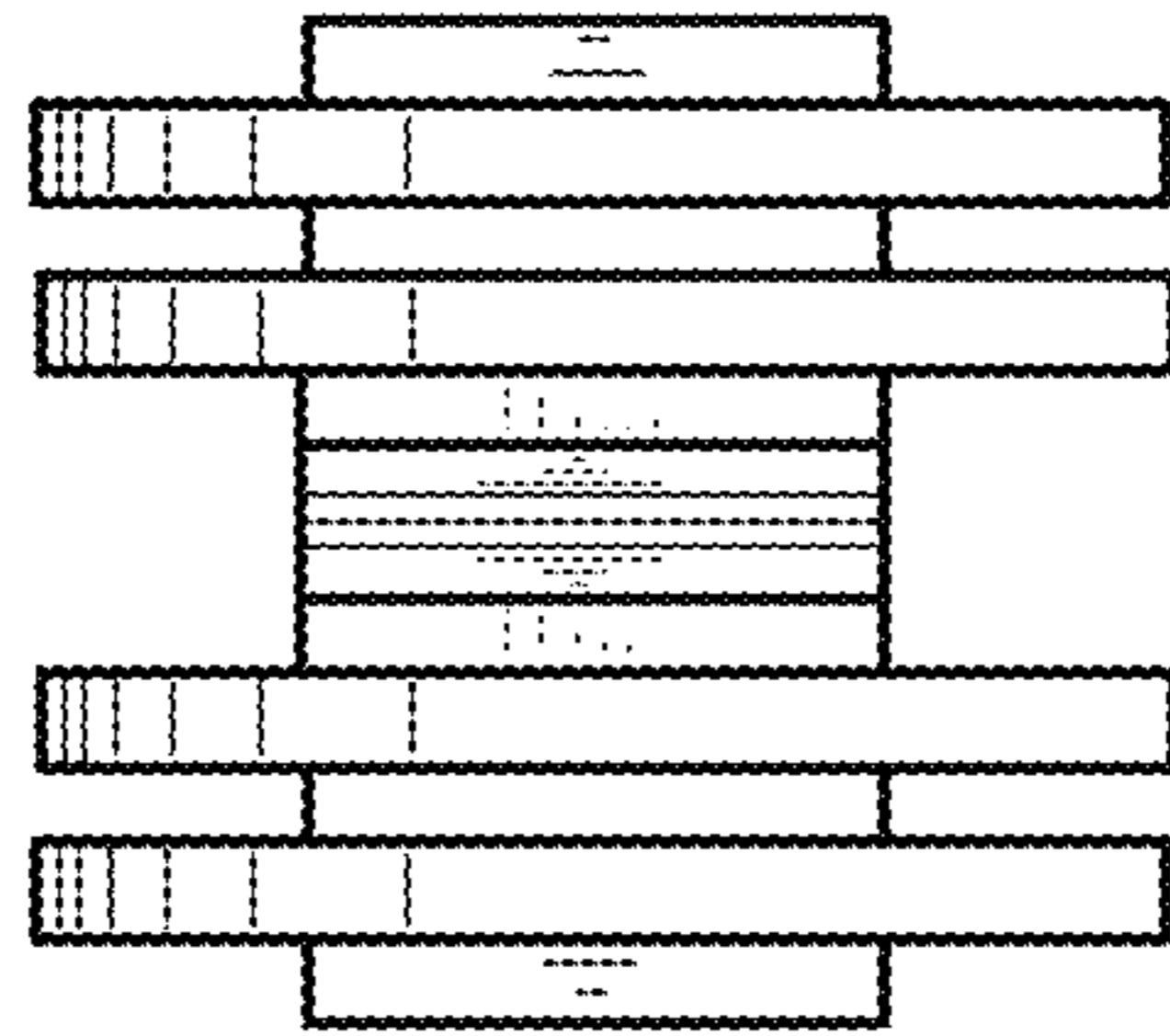


Fig. 4

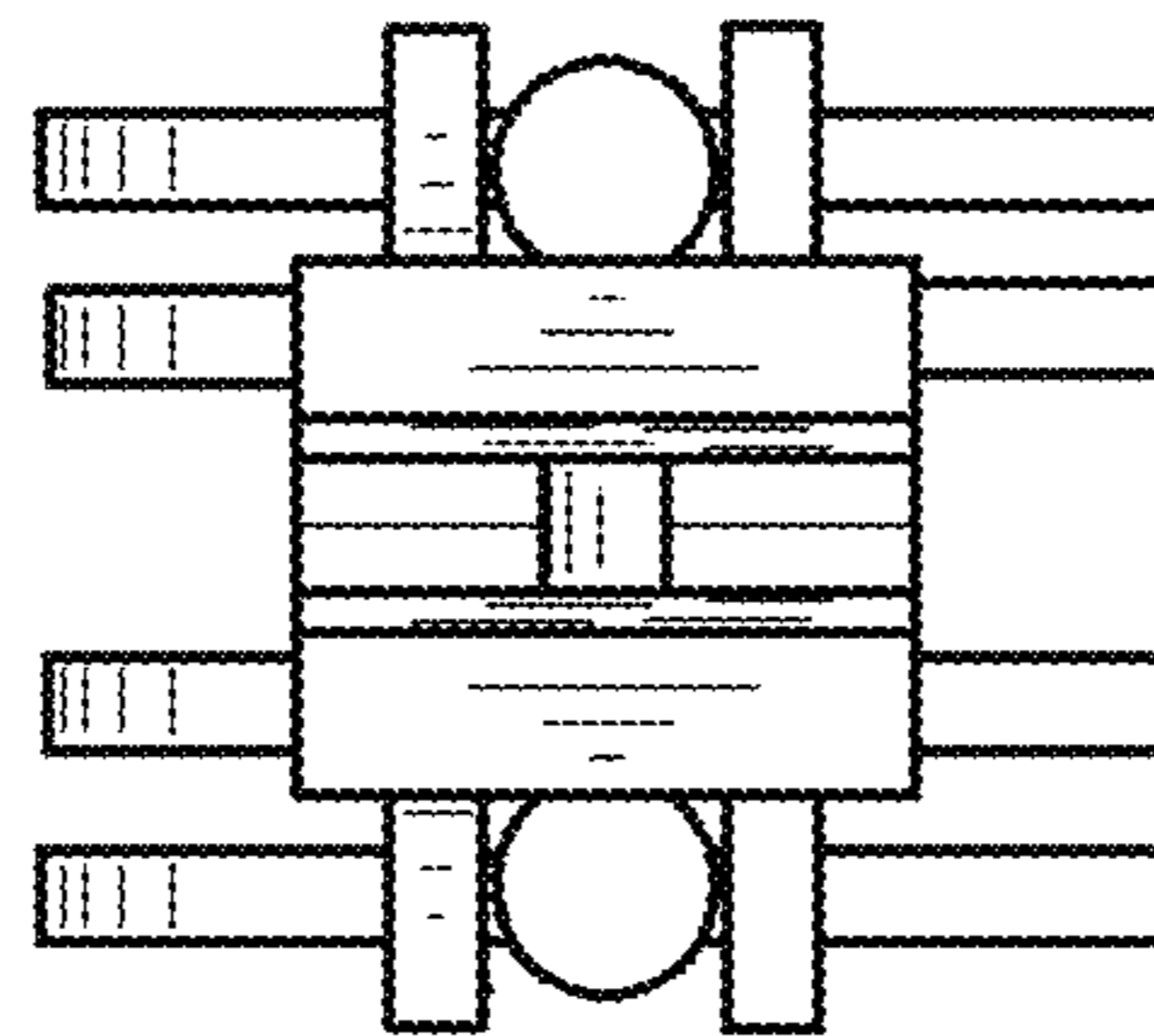


Fig. 5

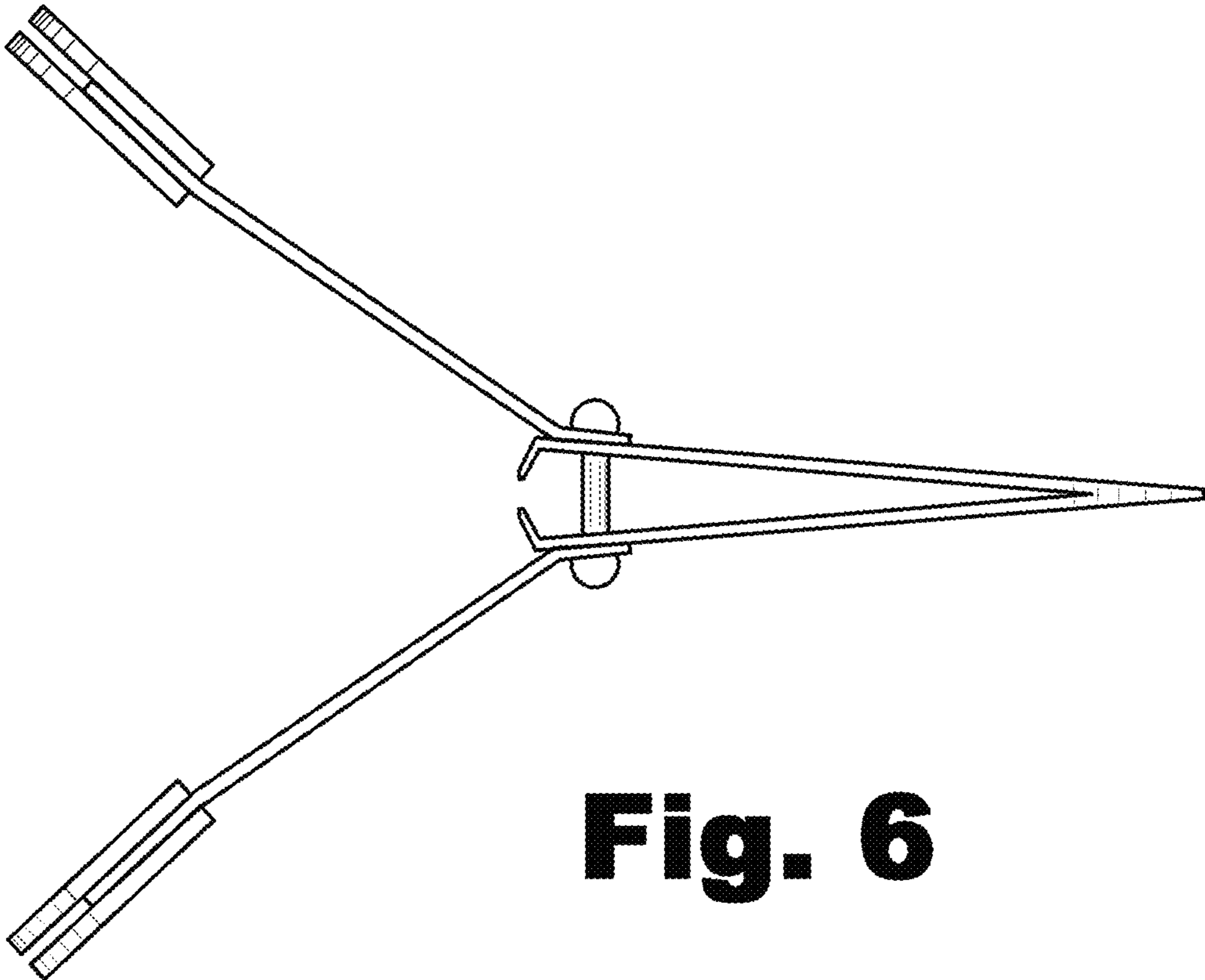


Fig. 6

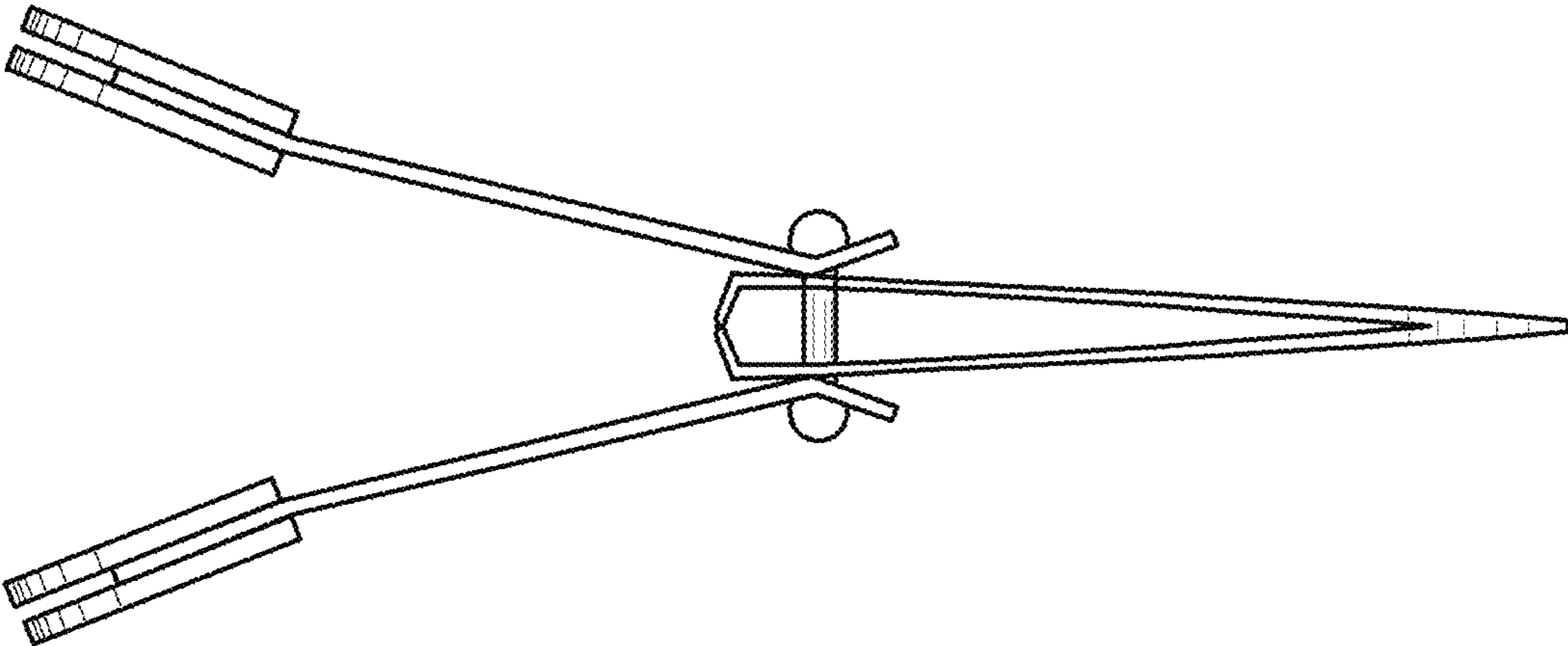


Fig. 7

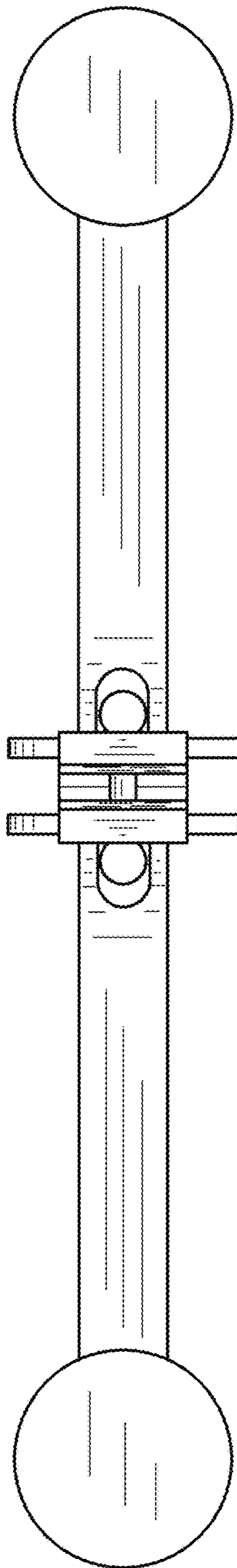


Fig. 8

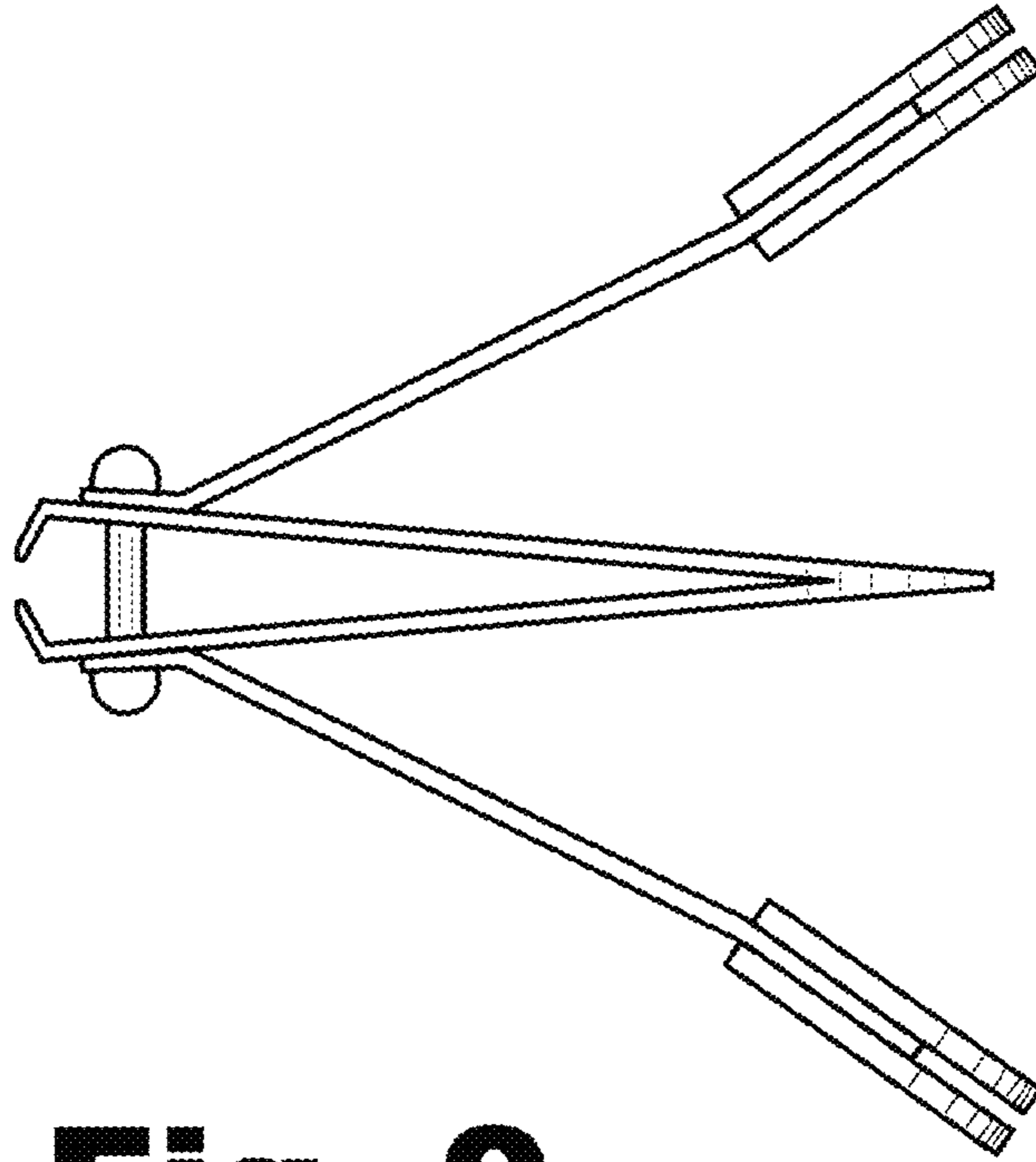


Fig. 9

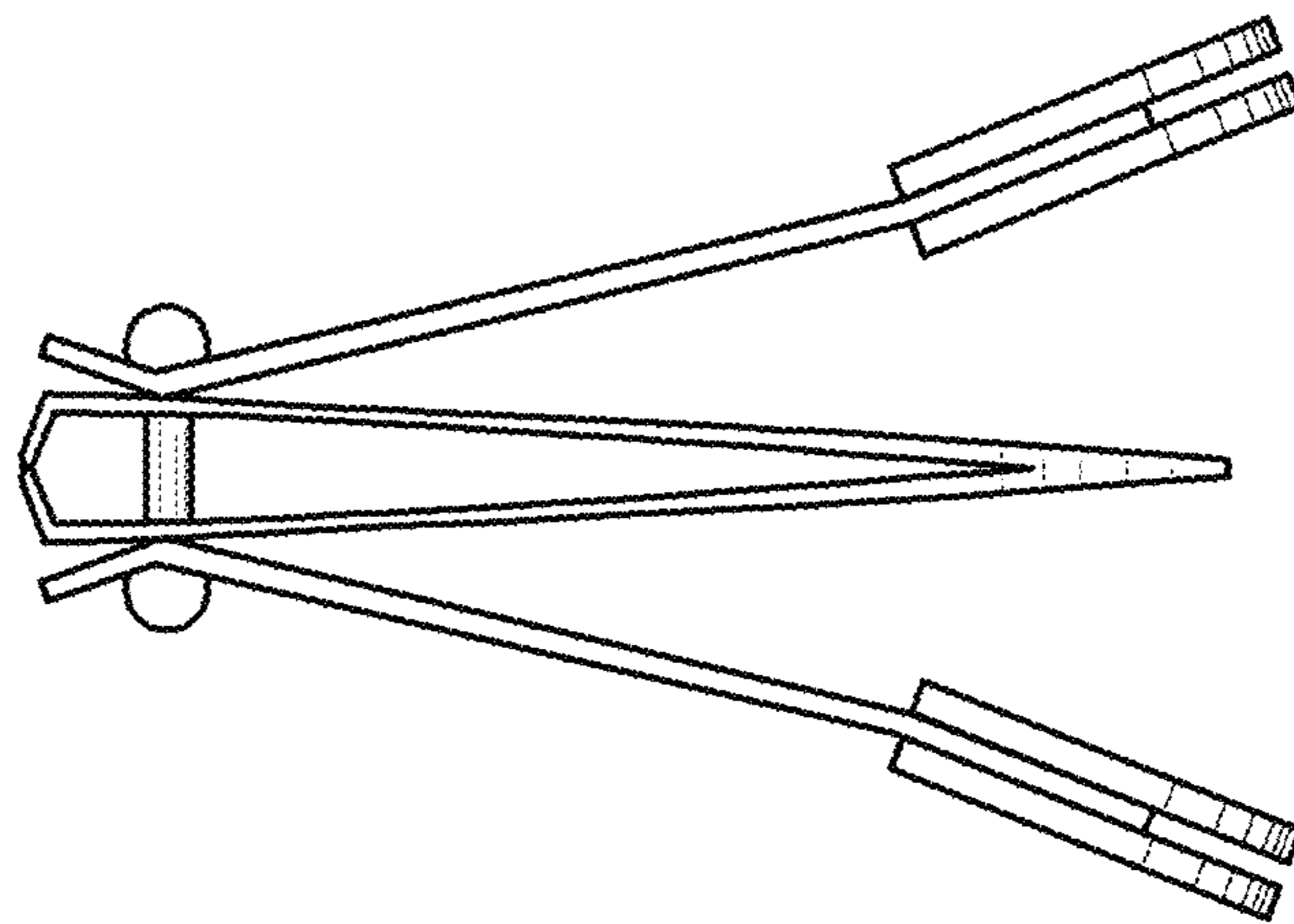


Fig. 10

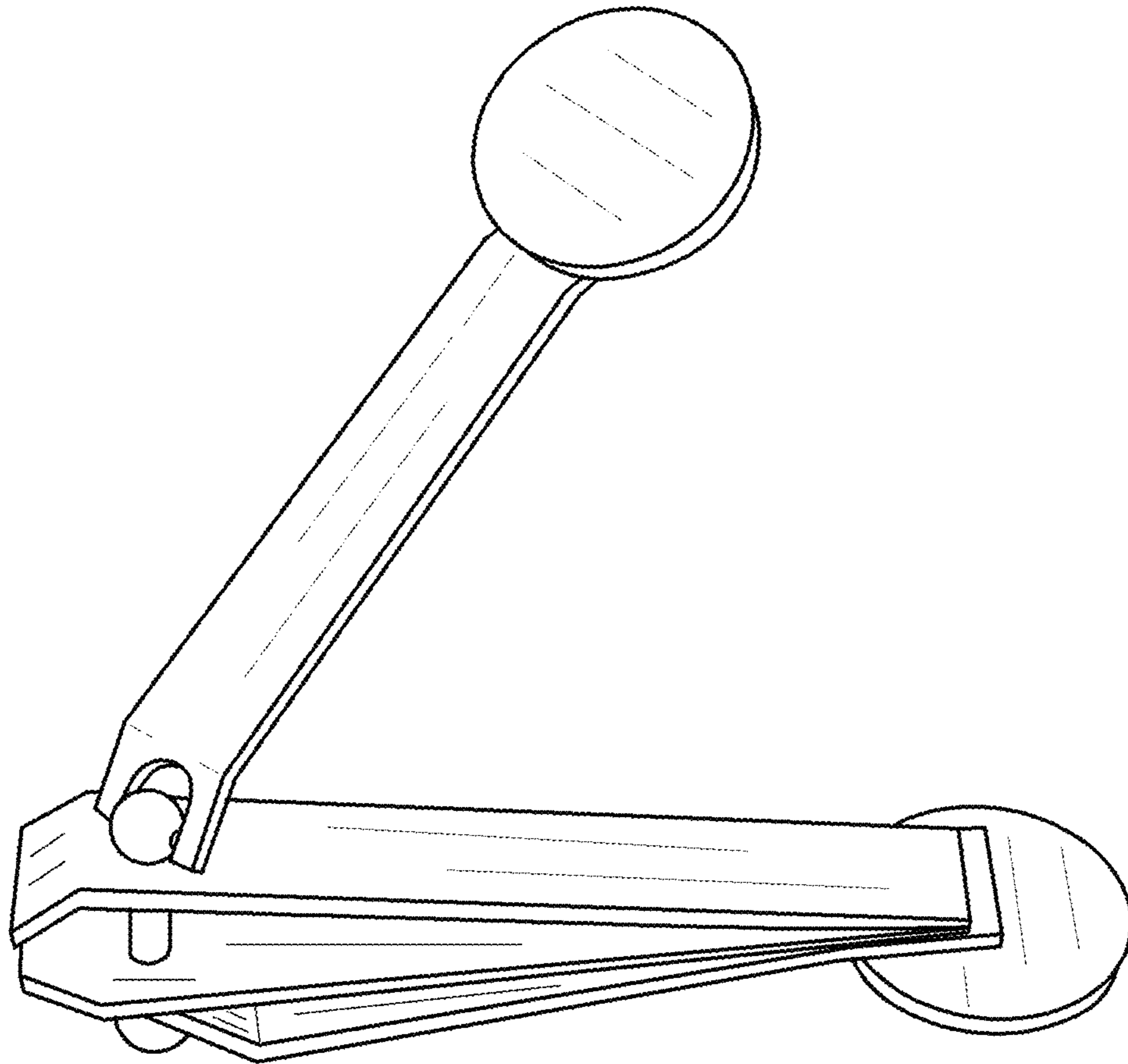


Fig. 11

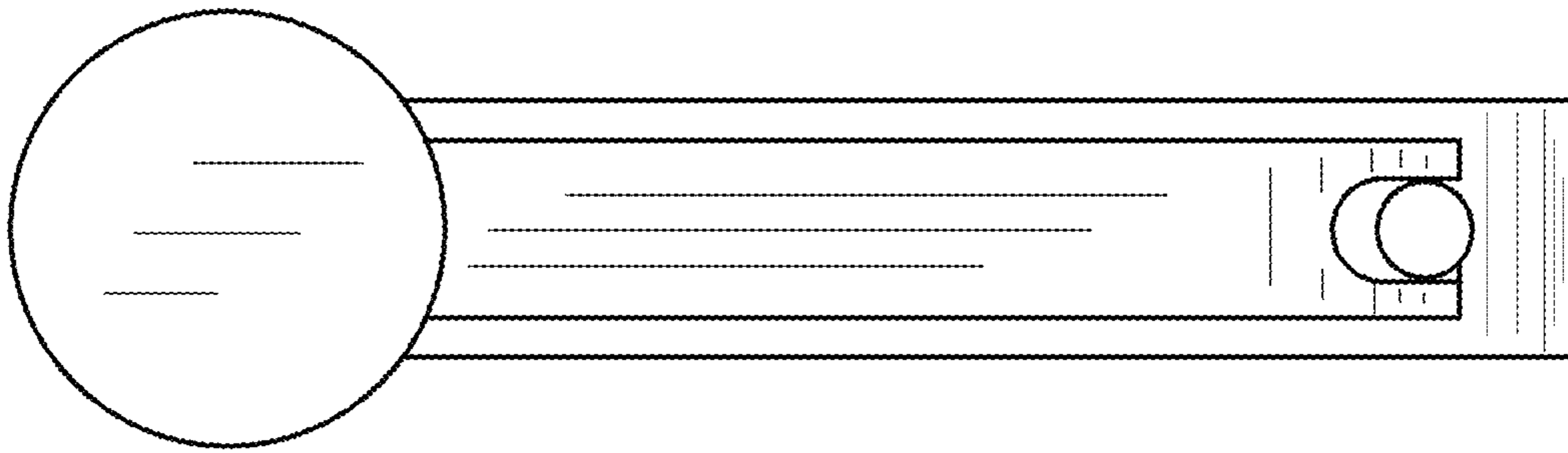


Fig. 12

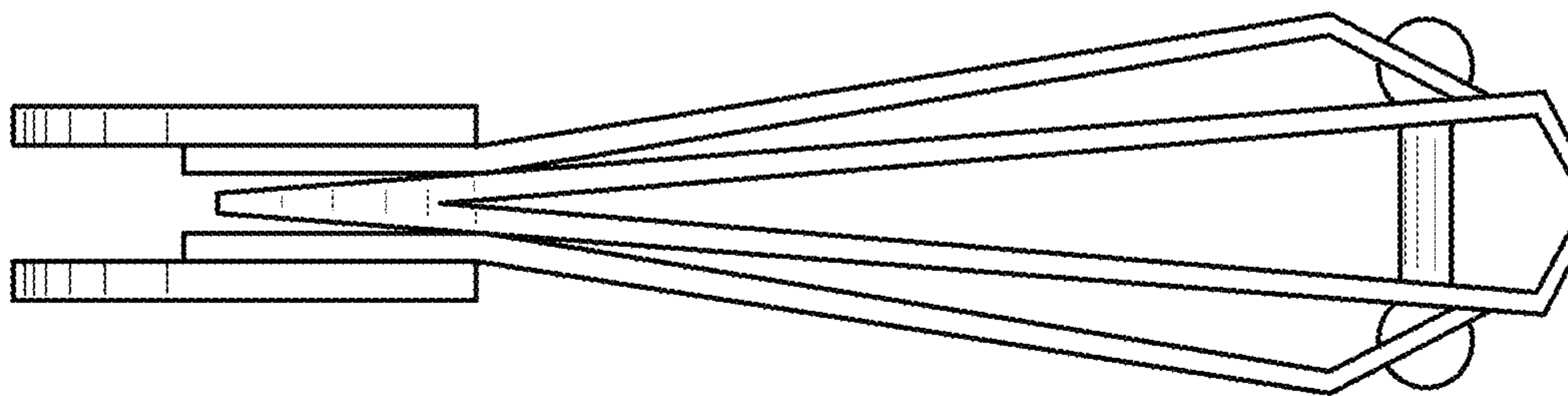


Fig. 13

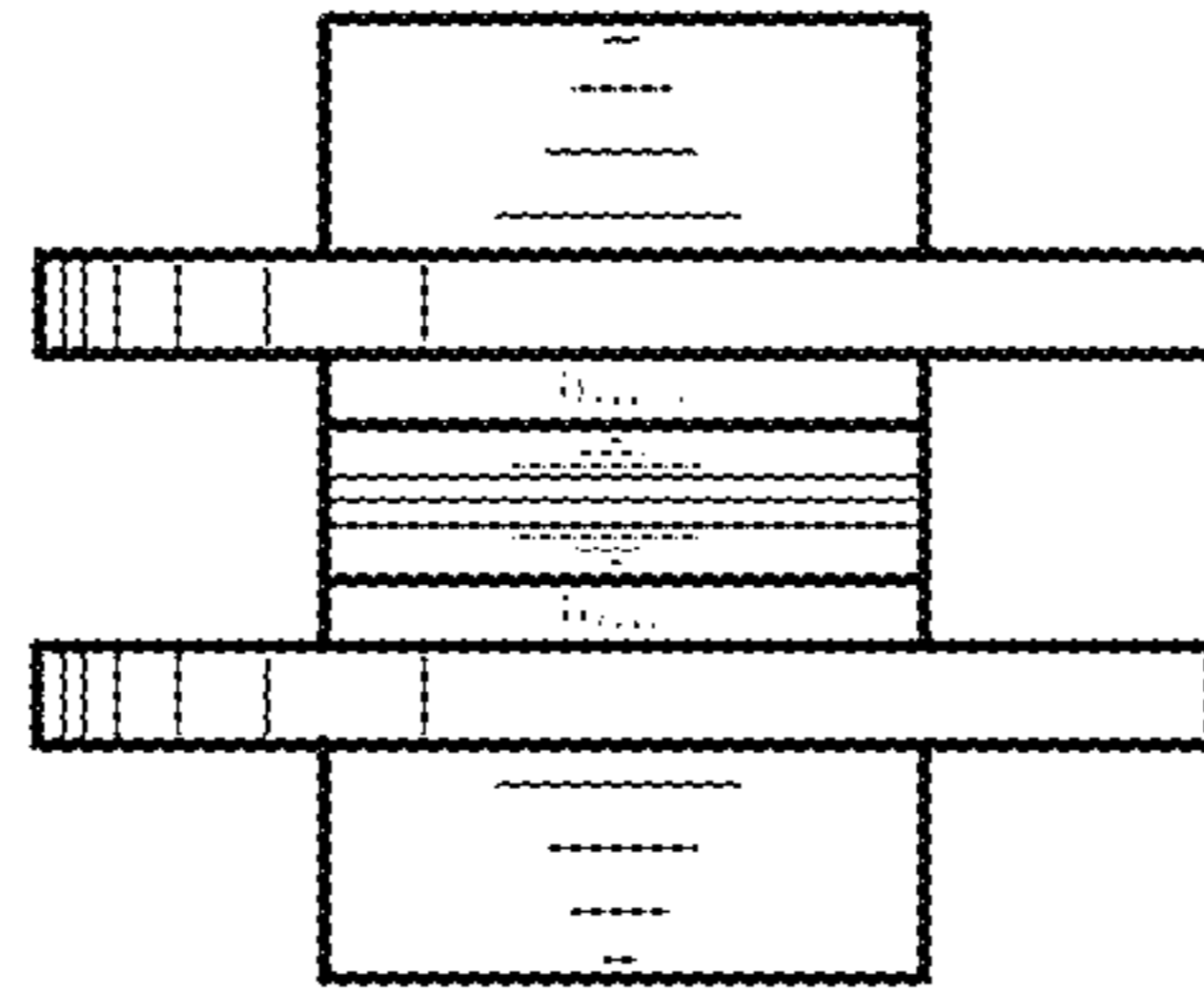


Fig. 14

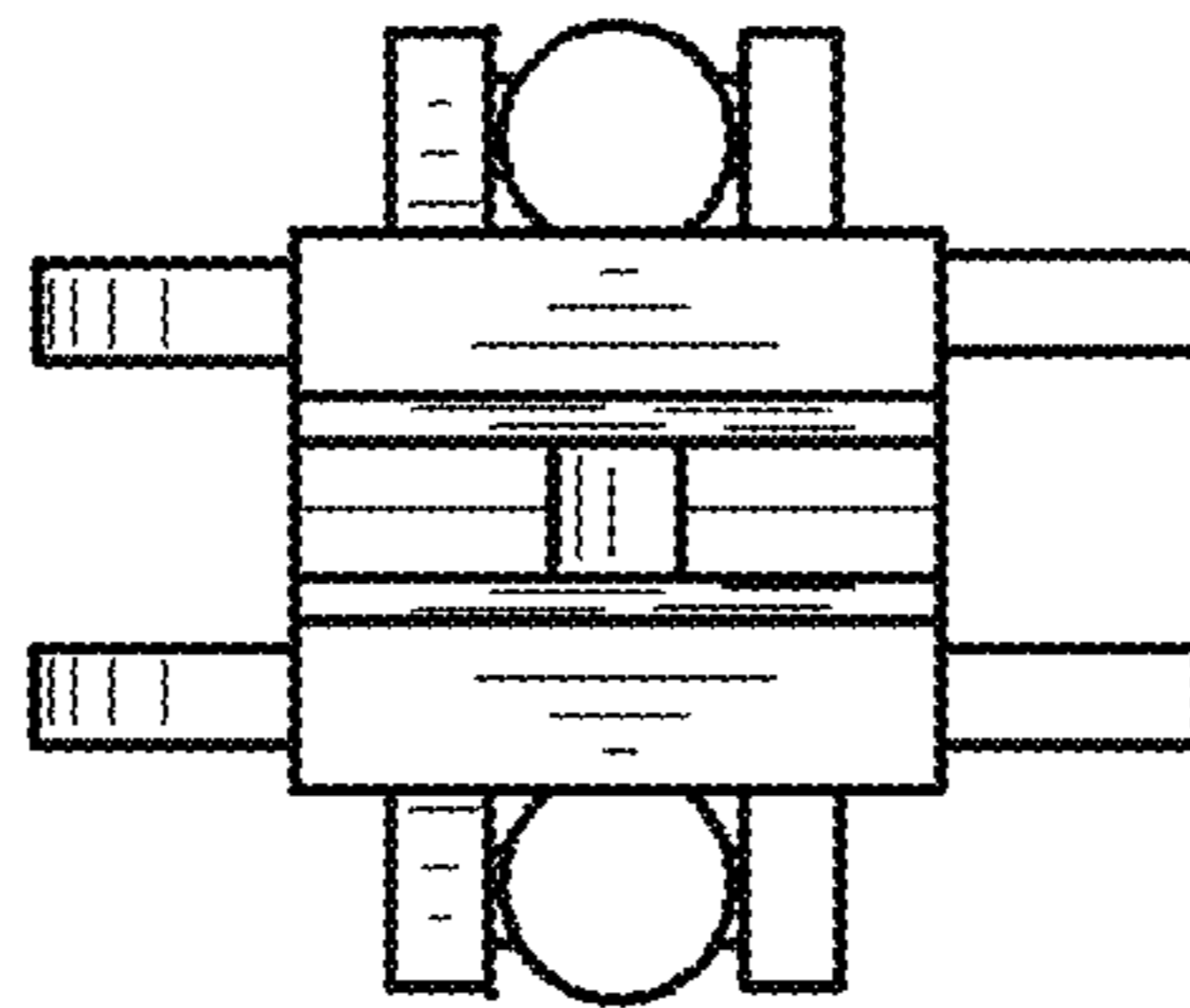


Fig. 15

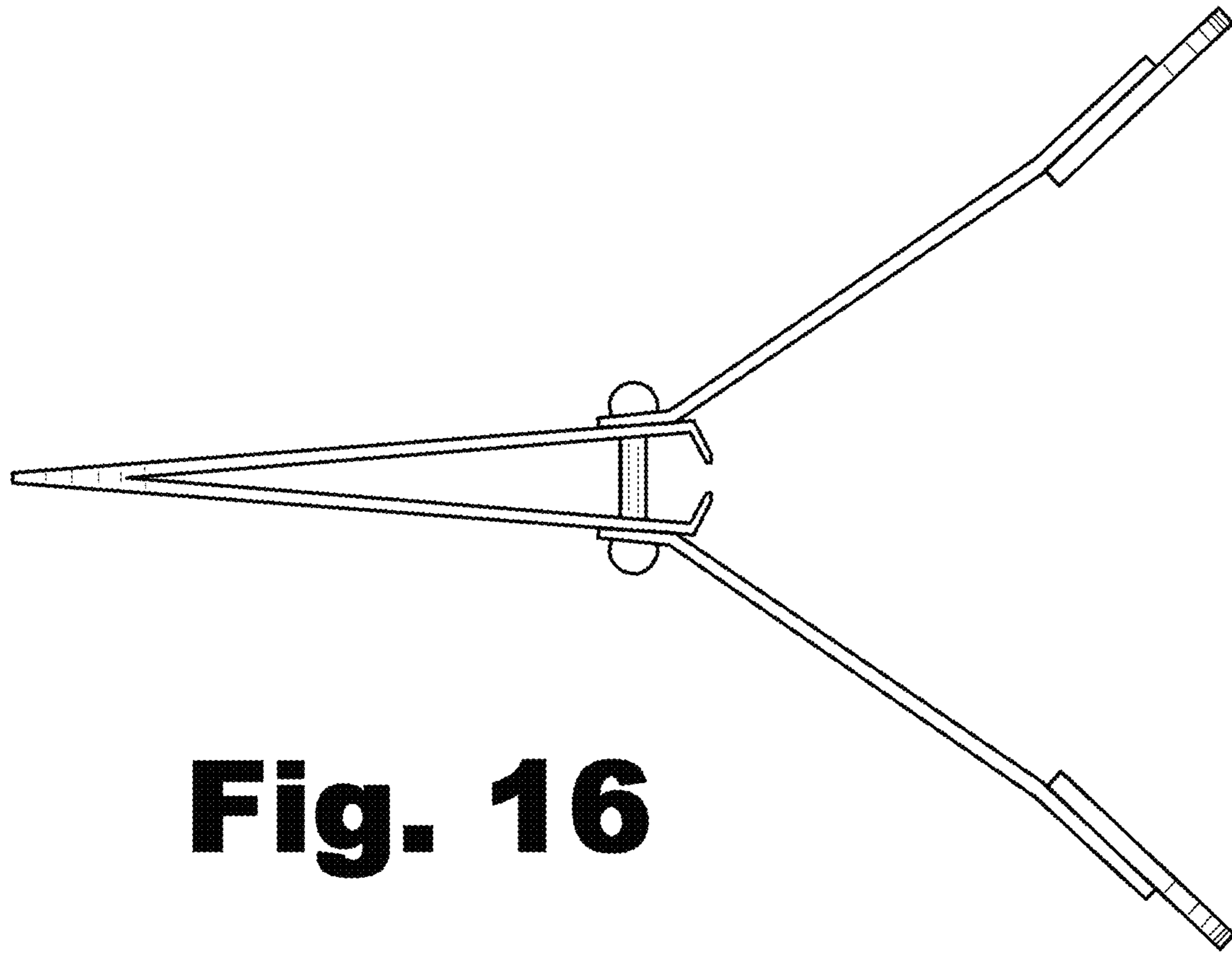


Fig. 16

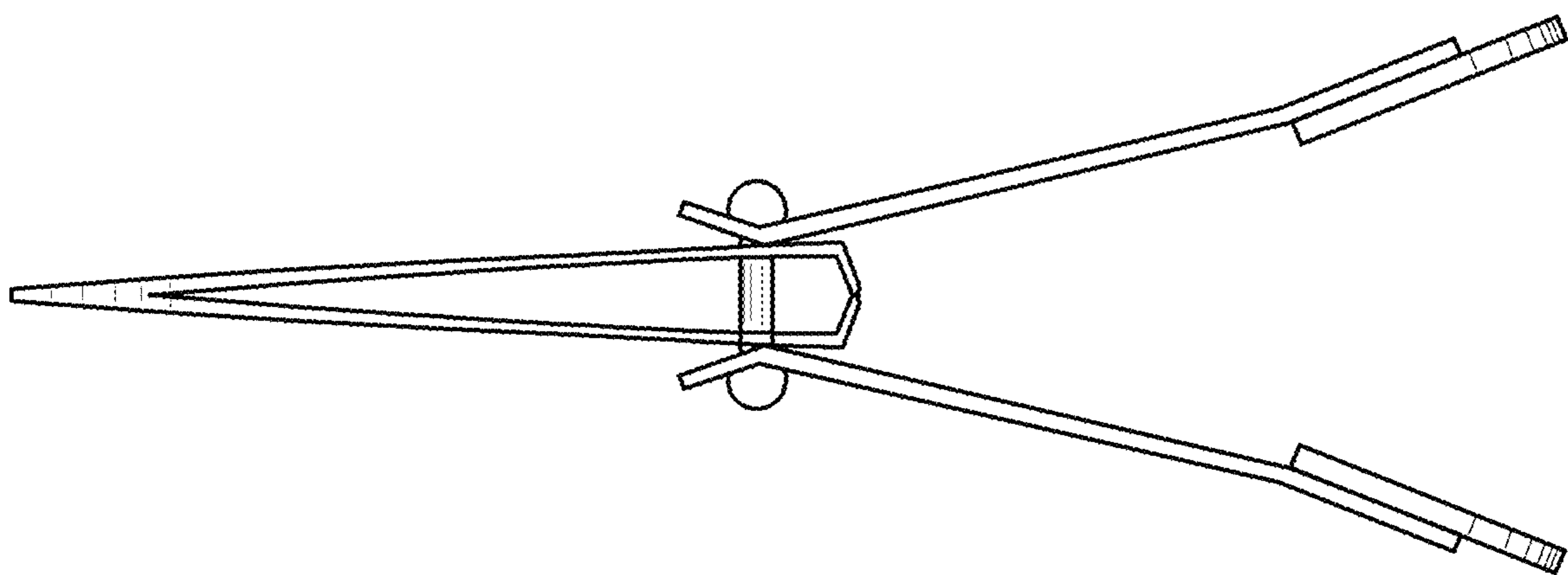


Fig. 17

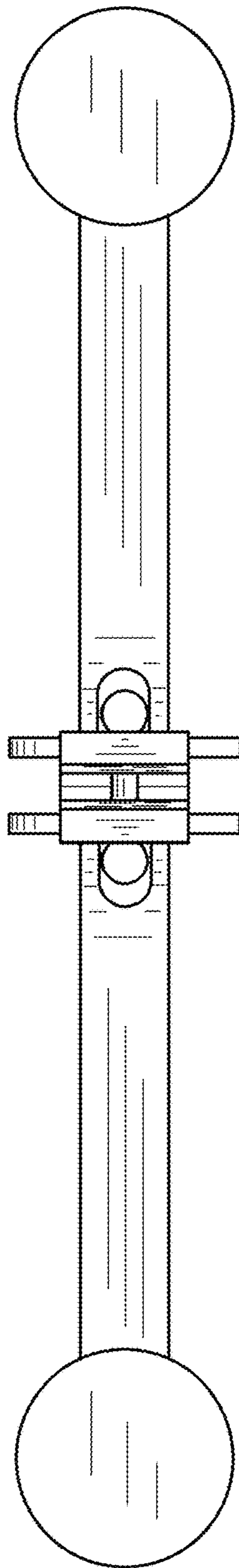


Fig. 18