



US00D914290S

(12) **United States Design Patent**  
**Kulshreshtha**

(10) **Patent No.:** **US D914,290 S**  
(45) **Date of Patent:** **\*\* Mar. 23, 2021**

(54) **ELECTRIC SHAVER HEAD**  
(71) Applicant: **SKULL SHAVER, LLC**, Moorestown,  
NJ (US)

8,726,528 B2 5/2014 Lyles  
D853,644 S \* 7/2019 Stowers ..... D28/50  
D853,645 S \* 7/2019 Stowers ..... D28/50

(72) Inventor: **Neel B. Kulshreshtha**, Burlington  
Township, NJ (US)

**OTHER PUBLICATIONS**

<https://www.amazon.com/Skull-Shaver-Pitbull-Silver-Electric/dp/B081CLSKQX/ref=asc> Skull Shaver, www.amazon.com, 5 pages, available as early as Nov. 2019 (Year: 2019).\*

(73) Assignee: **Skull Shaver, LLC**, Moorestown, NJ  
(US)

\* cited by examiner

(\*\*) Term: **15 Years**

*Primary Examiner* — Jennifer Rivard

(74) *Attorney, Agent, or Firm* — Norman E. Lehrer

(21) Appl. No.: **29/692,809**

(57) **CLAIM**

The ornamental design for an electric shaver head, as shown and described.

(22) Filed: **May 29, 2019**

(51) **LOC (13) Cl.** ..... **28-03**

**DESCRIPTION**

(52) **U.S. Cl.**

USPC ..... **D28/50; D28/54**

(58) **Field of Classification Search**

USPC ..... D28/49–54

CPC ..... B26B 19/3853–3866; B26B 19/14–18

See application file for complete search history.

FIG. 1 is a bottom perspective view of an electric shaver head showing my new design;  
FIG. 2 is a bottom plan view thereof;  
FIG. 3 is a top plan view thereof;  
FIG. 4 is a front elevational view thereof, the rear, left and right side elevational views being identical thereto; and,  
FIG. 5 is an elevational view thereof taken from the right front corner, the left front corner, right and left rear corner elevational views being identical thereto.

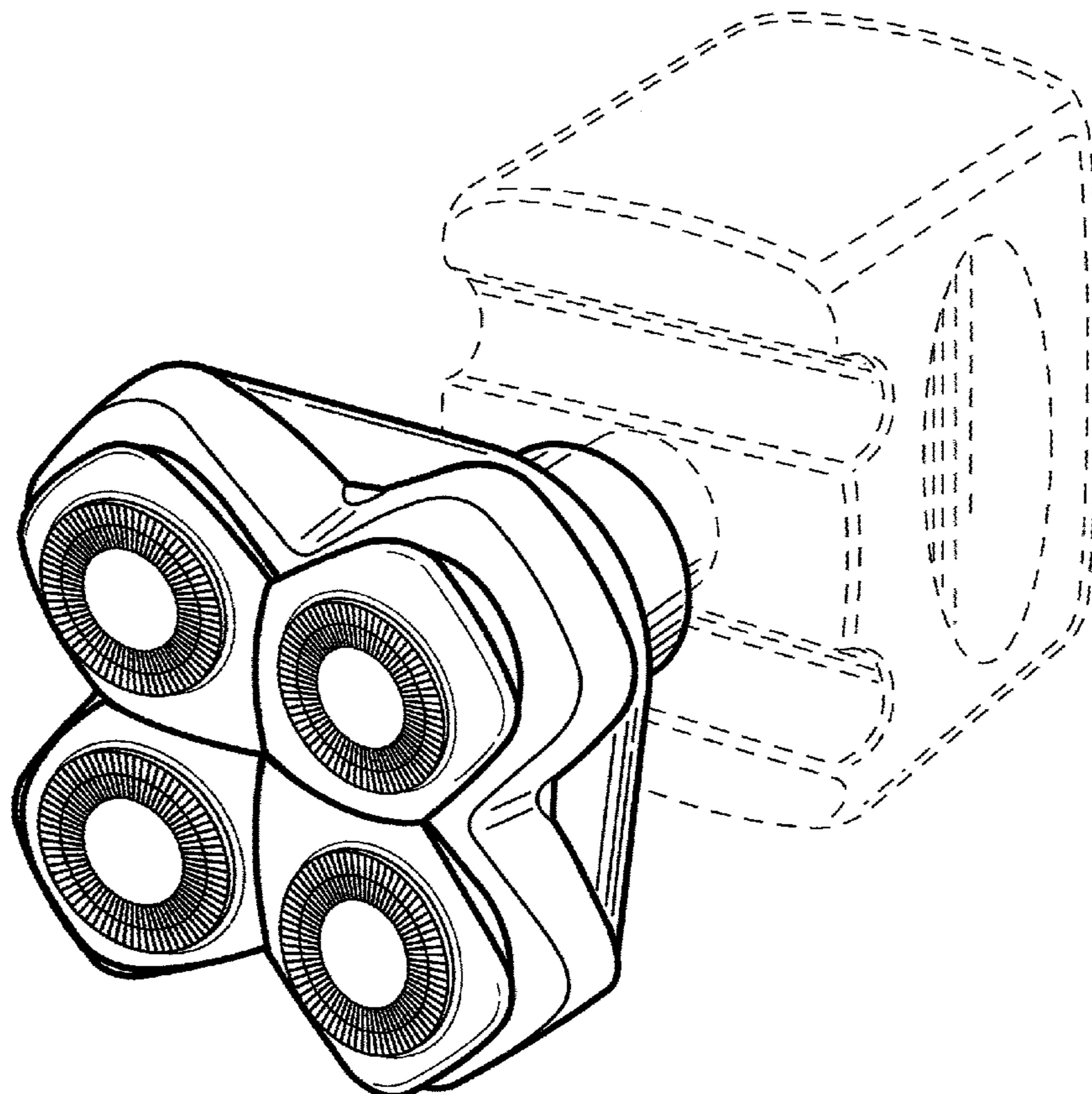
The matter shown in phantom lines is for environmental purposes only and does not form part of the claimed design.

(56) **References Cited**

**U.S. PATENT DOCUMENTS**

D672,504 S 12/2012 Lyles  
D693,060 S 11/2013 Lyles

**1 Claim, 3 Drawing Sheets**



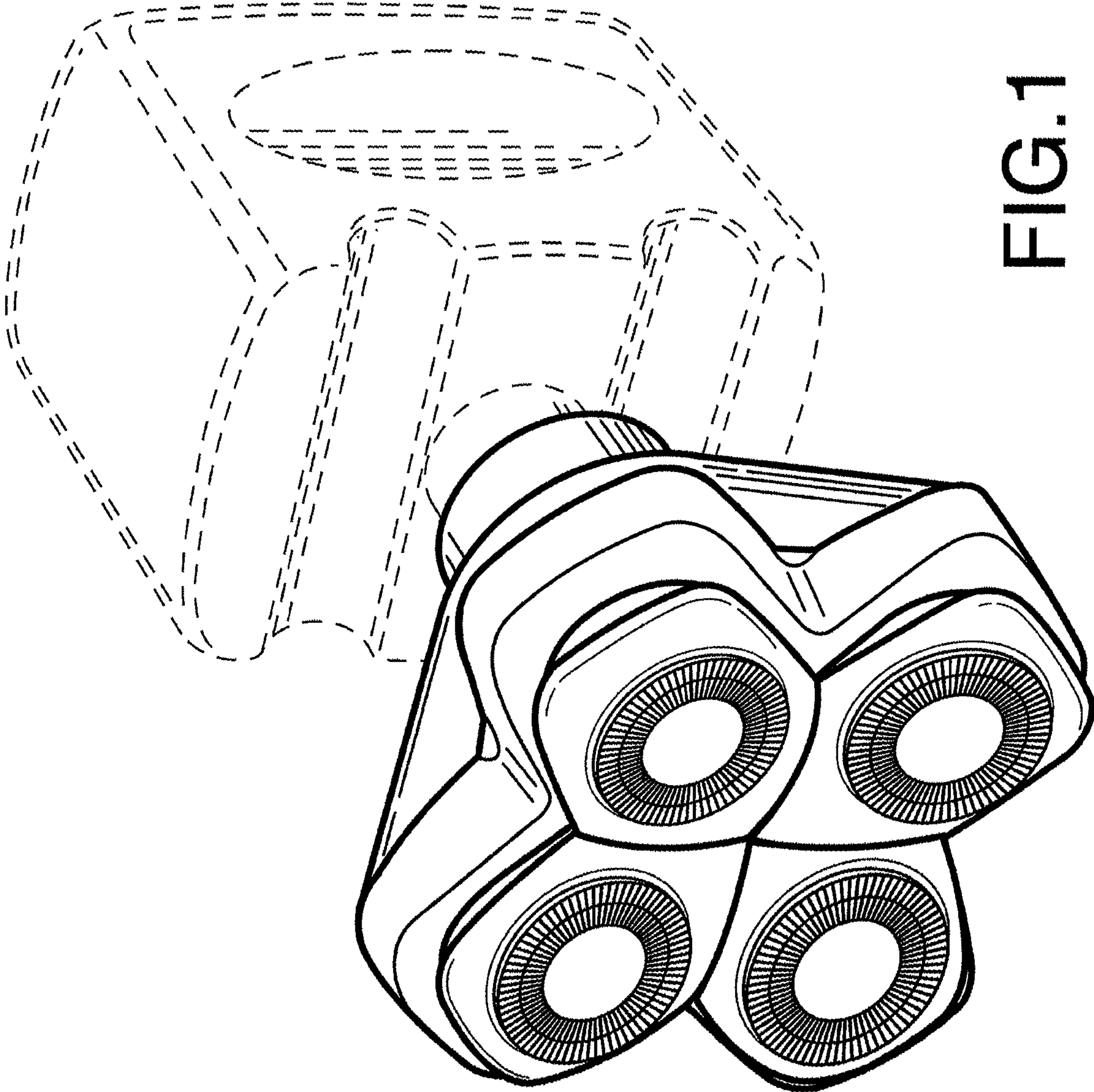


FIG. 1

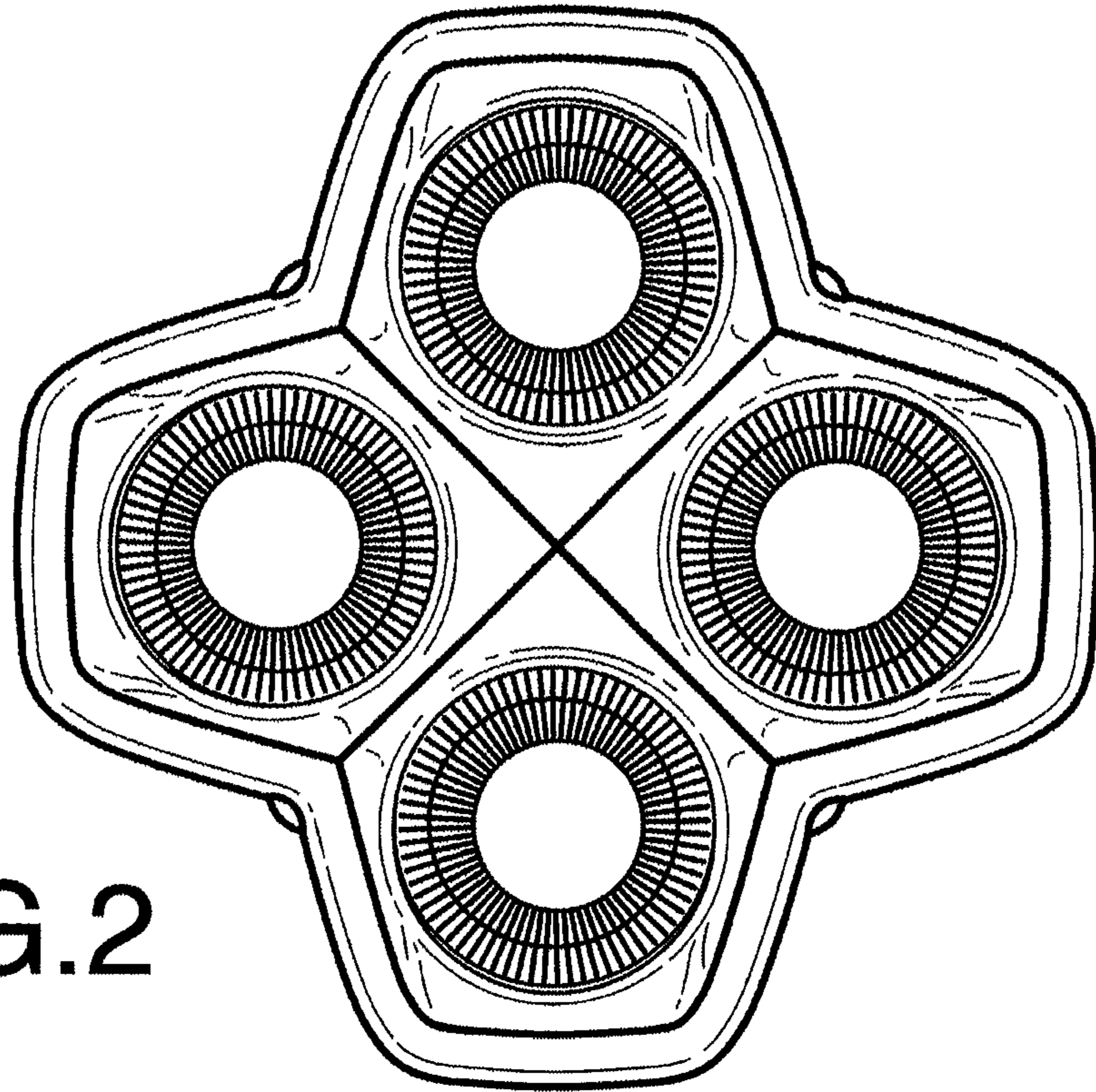


FIG. 2

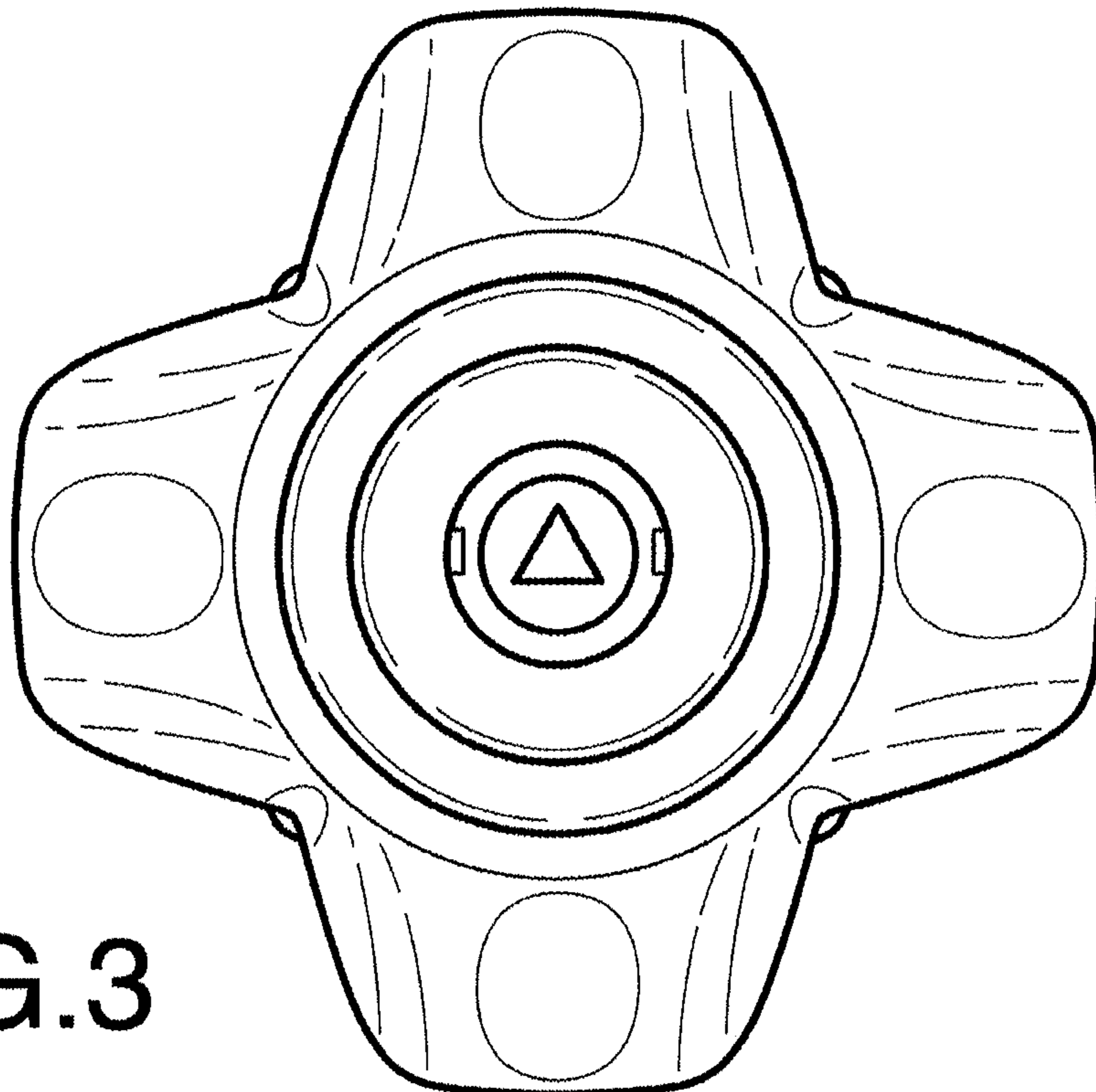


FIG. 3

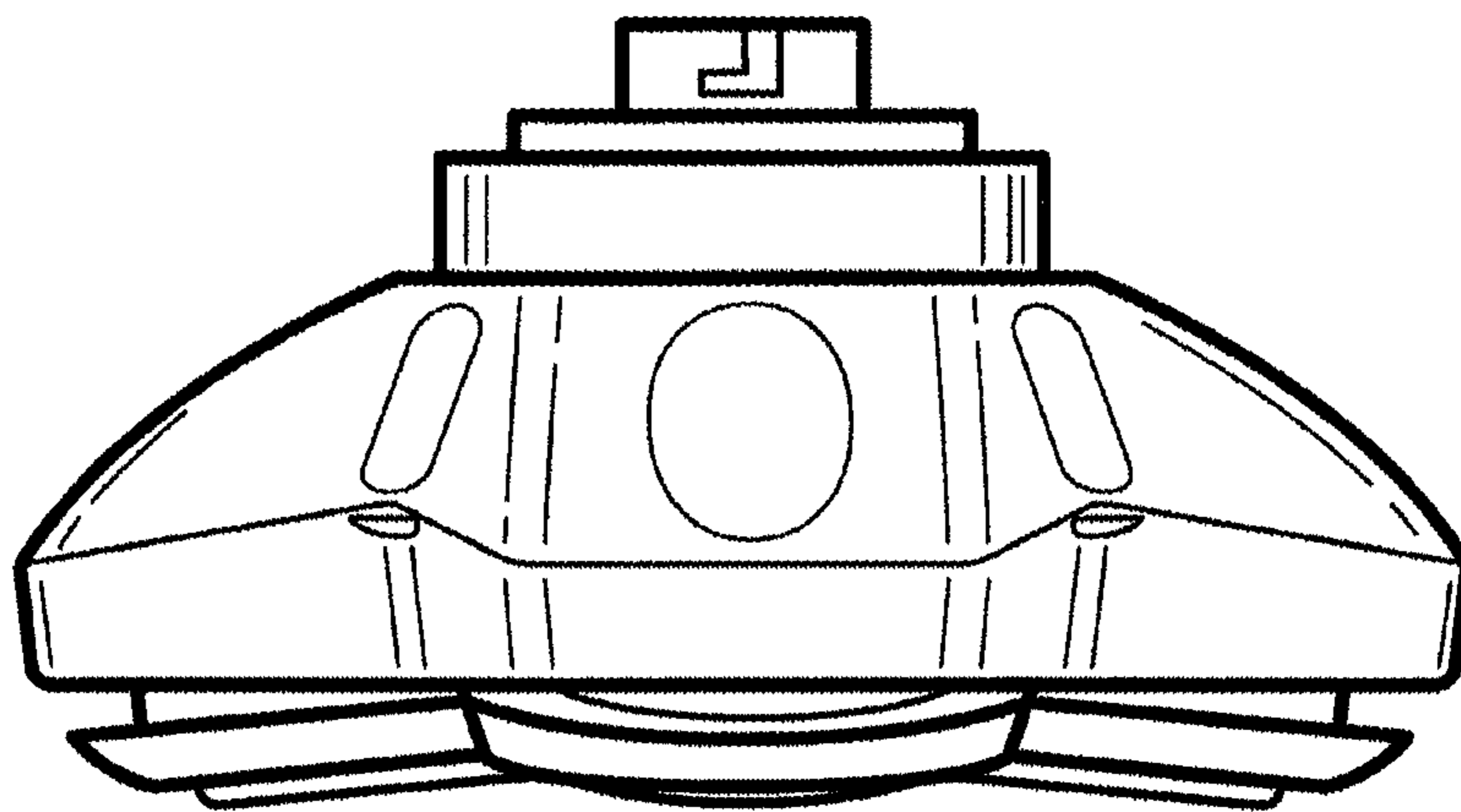


FIG. 4

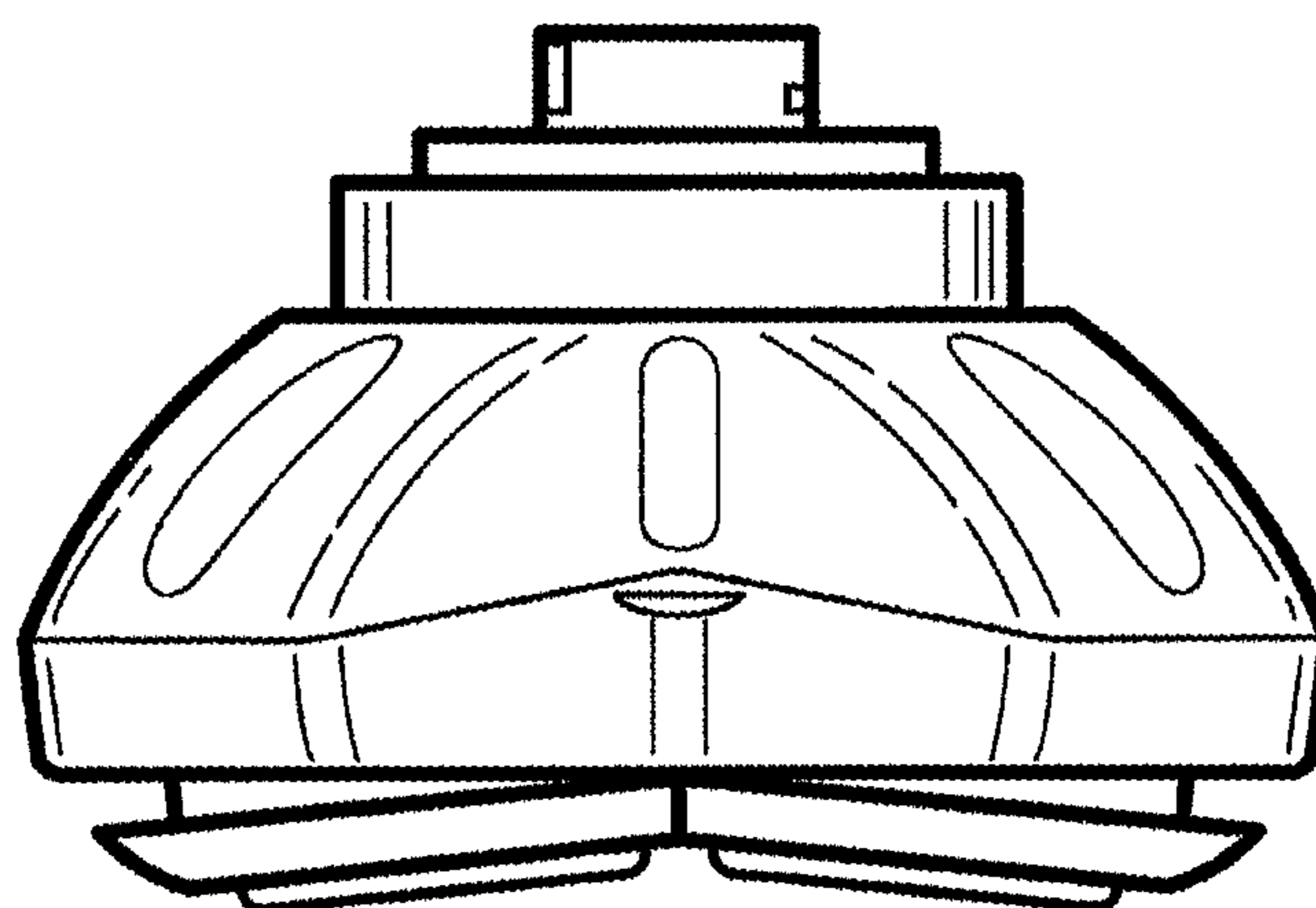


FIG. 5