



US00D914288S

(12) **United States Design Patent**
Thalmann

(10) **Patent No.:** **US D914,288 S**
(45) **Date of Patent:** **** Mar. 23, 2021**

(54) **ATTACHMENT FOR FLASH LAMP
EPILATOR**

(71) Applicant: **KONINKLIJKE PHILIPS N.V.**,
Eindhoven (NL)

(72) Inventor: **Cecile Thalmann**, Muiden (NL)

(73) Assignee: **KONINKLIJKE PHILIPS N.V.**,
Eindhoven (NL)

(**) Term: **15 Years**

(21) Appl. No.: **29/711,424**

(22) Filed: **Oct. 31, 2019**

(51) **LOC (13) Cl.** **28-03**

(52) **U.S. Cl.**
USPC **D28/44.1; D24/209**

(58) **Field of Classification Search**
USPC D28/44.1, 53, 54, 51; D24/209, 214
CPC A61B 2018/0047; A61B 2018/0452; A61B
2018/202; A61B 2018/0476; A45D
26/0023–0038; A45D 26/0004–0009;
A45D 26/0057

See application file for complete search history.

(56) **References Cited**

U.S. PATENT DOCUMENTS

D705,484 S *	5/2014	Bourgeois	D28/44.1
D776,874 S *	1/2017	Kling	D28/44.1
D820,464 S *	6/2018	Gabriele	D24/209
D860,534 S *	9/2019	Huang	D28/44.1
D872,362 S *	1/2020	Long	D28/44.1
2017/0196336 A1 *	7/2017	Smal	A45D 26/00

* cited by examiner

Primary Examiner — Jennifer Rivard

(57) **CLAIM**

The ornamental design for an attachment for flash lamp epilator, as shown and described.

DESCRIPTION

FIG. 1 is a perspective view showing the first embodiment of my design;

FIG. 2 is a front elevational view thereof;

FIG. 3 is a rear elevational view thereof;

FIG. 4 is a right side elevational view thereof;

FIG. 5 is a left side elevational view thereof;

FIG. 6 is a top plan view thereof;

FIG. 7 is a bottom plan view thereof;

FIG. 8 is a perspective view showing the second embodiment of my design;

FIG. 9 is a front elevational view thereof;

FIG. 10 is a rear elevational view thereof;

FIG. 11 is a right side elevational view thereof;

FIG. 12 is a left side elevational view thereof;

FIG. 13 is a top plan view thereof;

FIG. 14 is a bottom plan view thereof;

FIG. 15 is a perspective view showing the third embodiment of my design;

FIG. 16 is a front elevational view thereof;

FIG. 17 is a rear elevational view thereof;

FIG. 18 is a right side elevational view thereof;

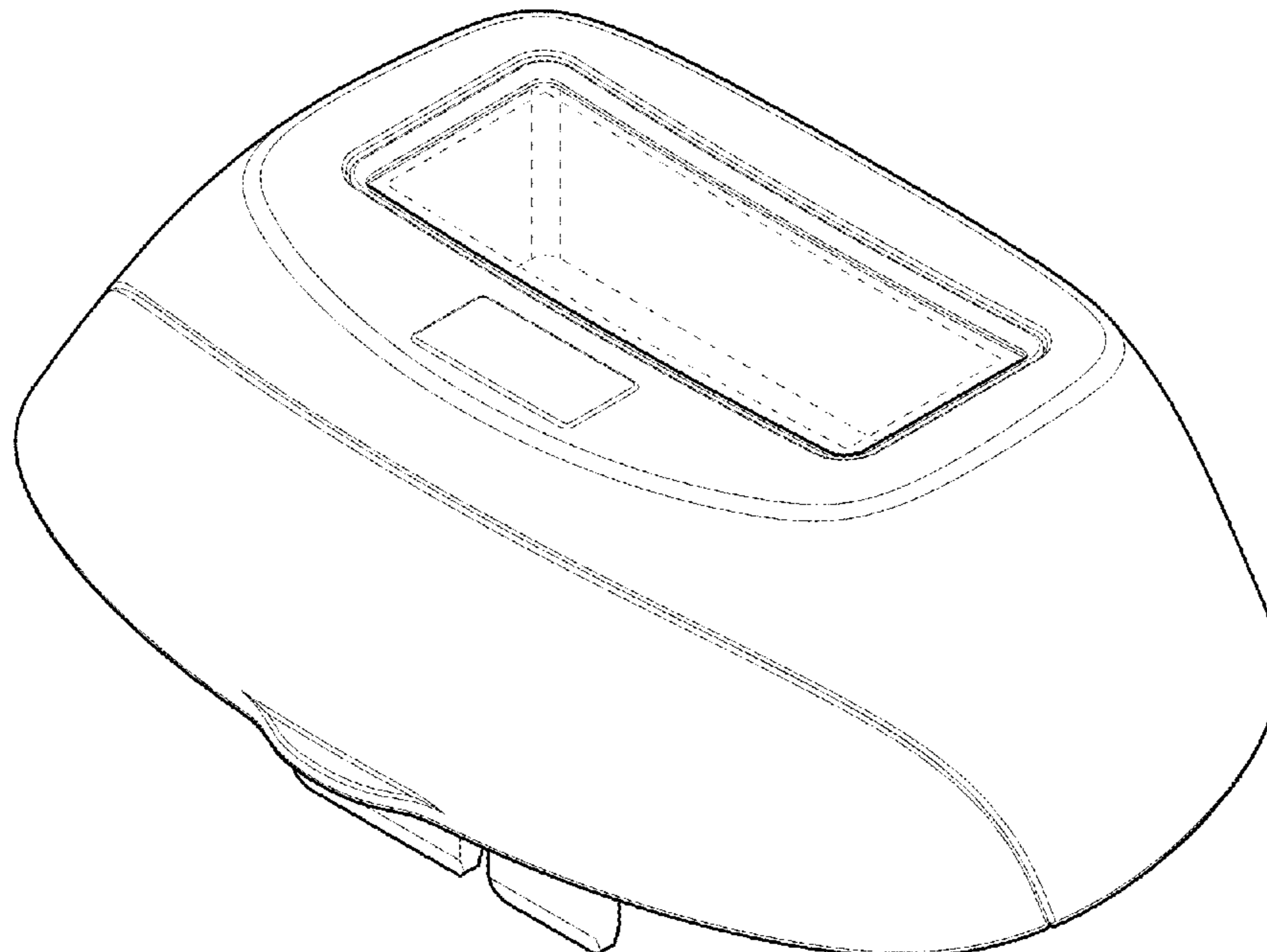
FIG. 19 is a left side elevational view thereof;

FIG. 20 is a top plan view thereof; and,

FIG. 21 is a bottom plan view thereof.

The portions of the attachment for flash lamp epilator shown in broken lines are included for the purpose of illustrating unclaimed portions of the attachment for flash lamp epilator and form no part of the claimed design.

1 Claim, 12 Drawing Sheets



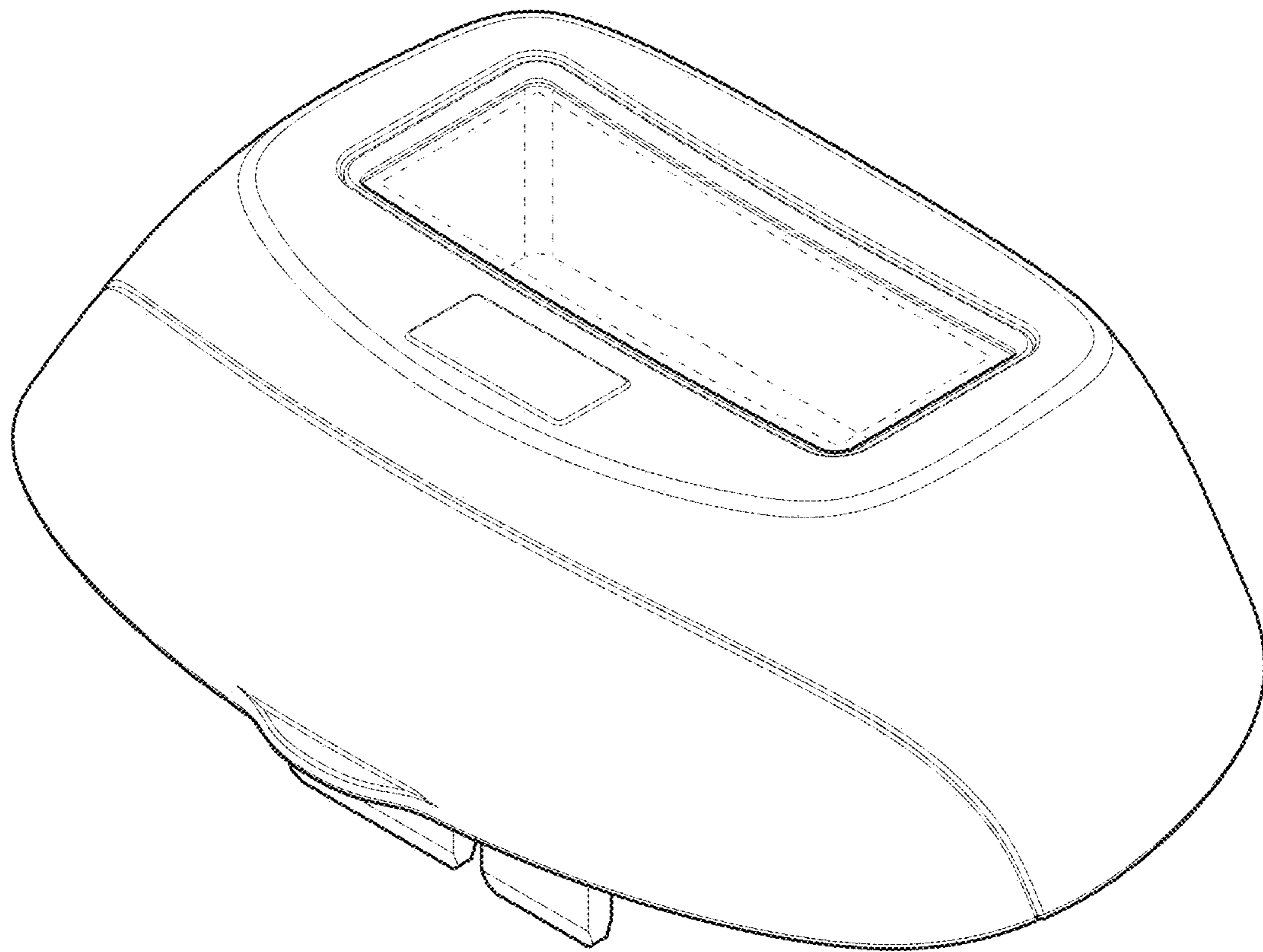


FIG. 1

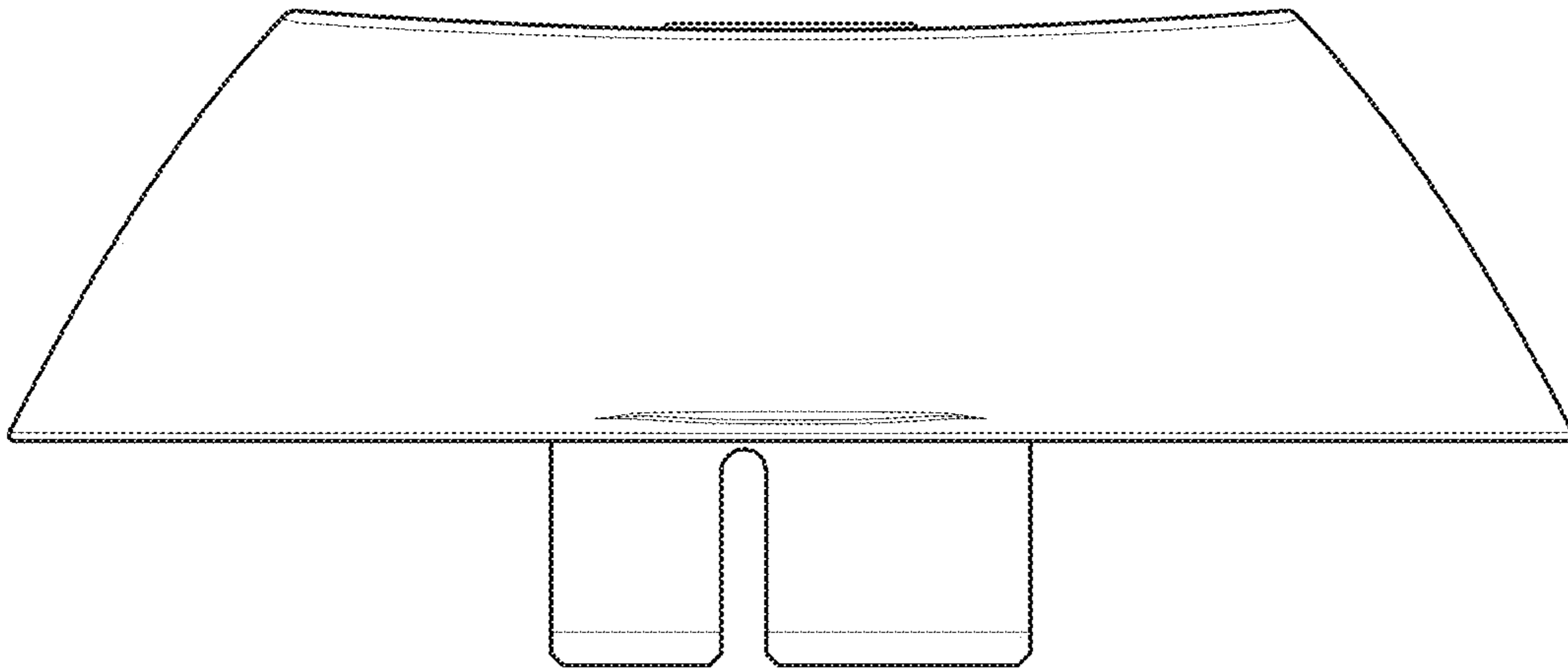


FIG. 2

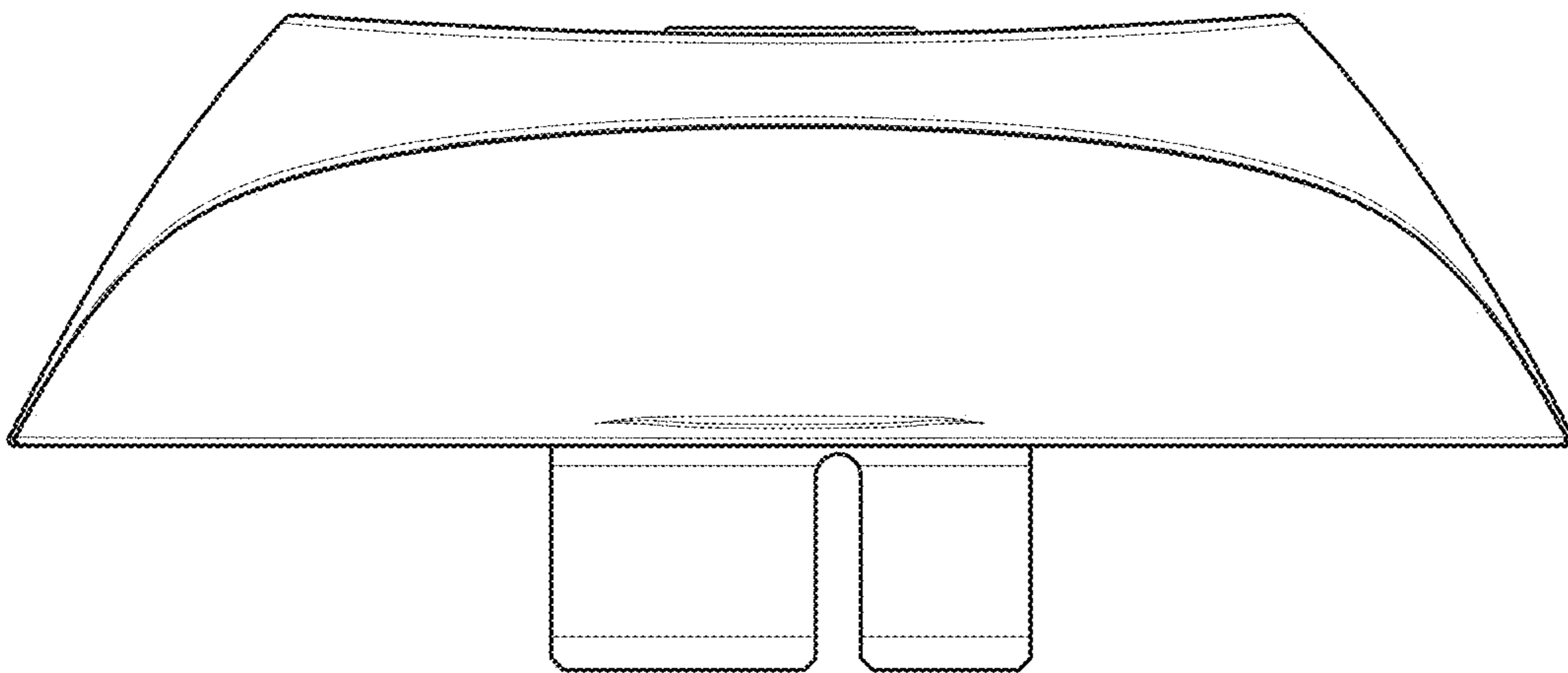


FIG. 3

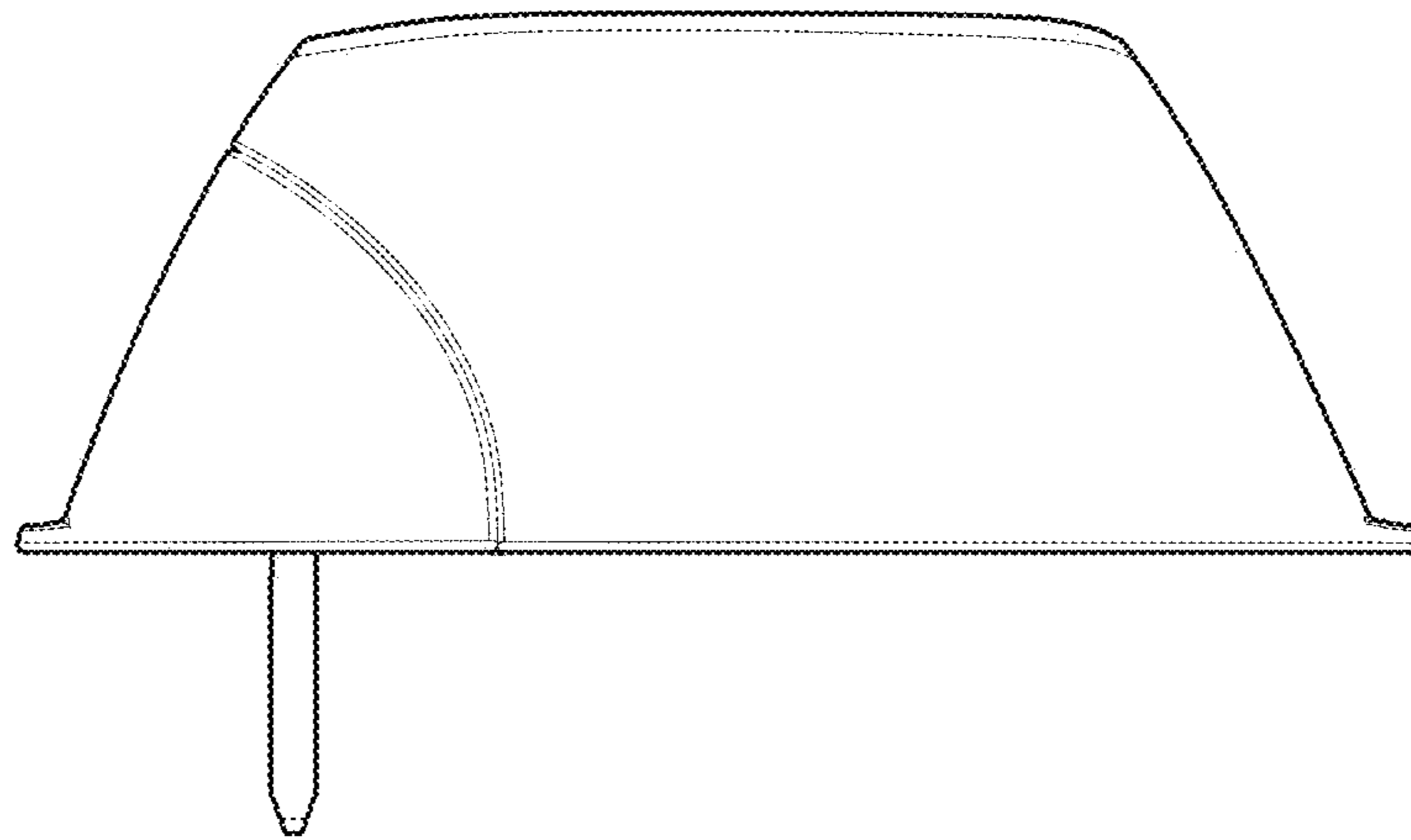


FIG. 4

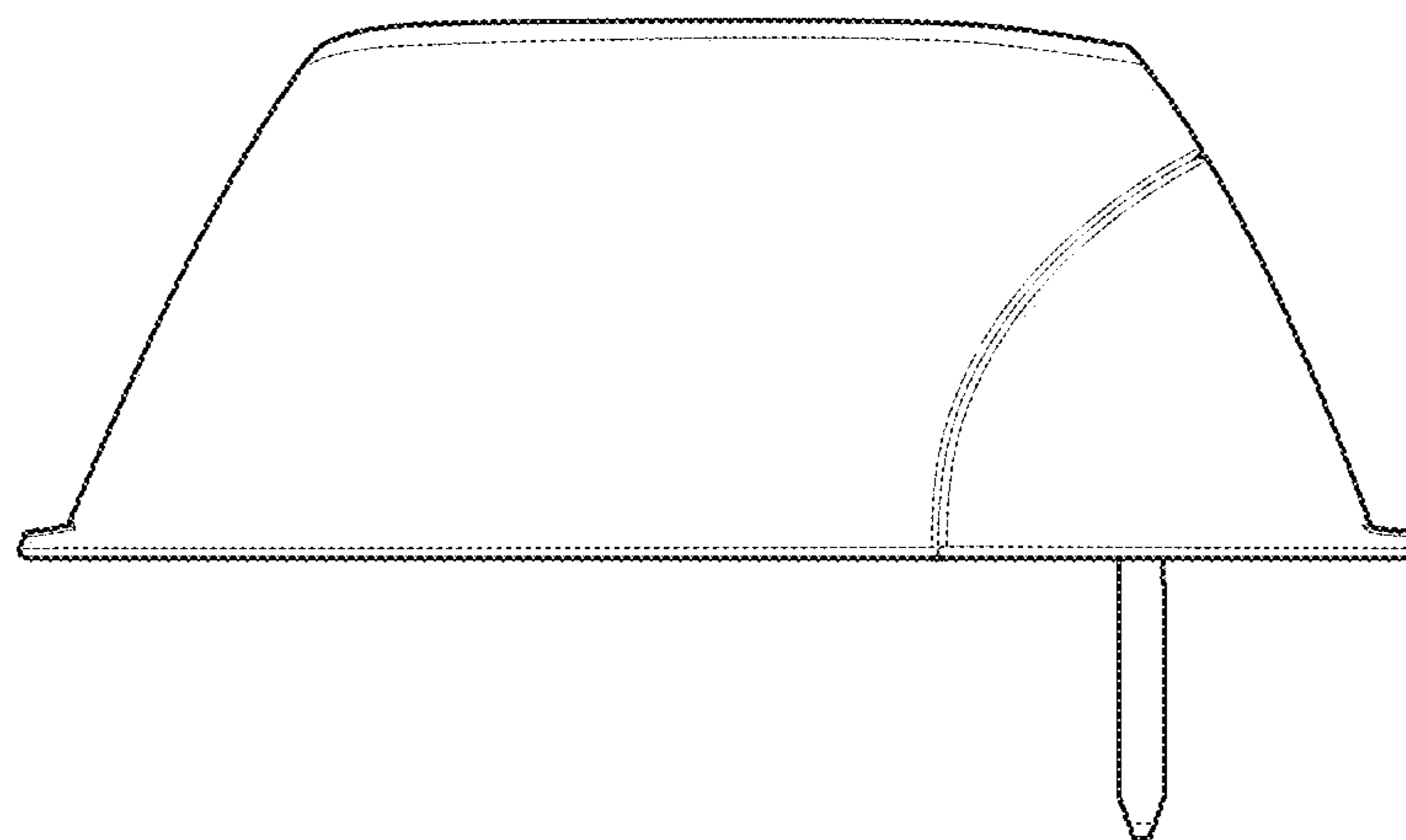


FIG. 5

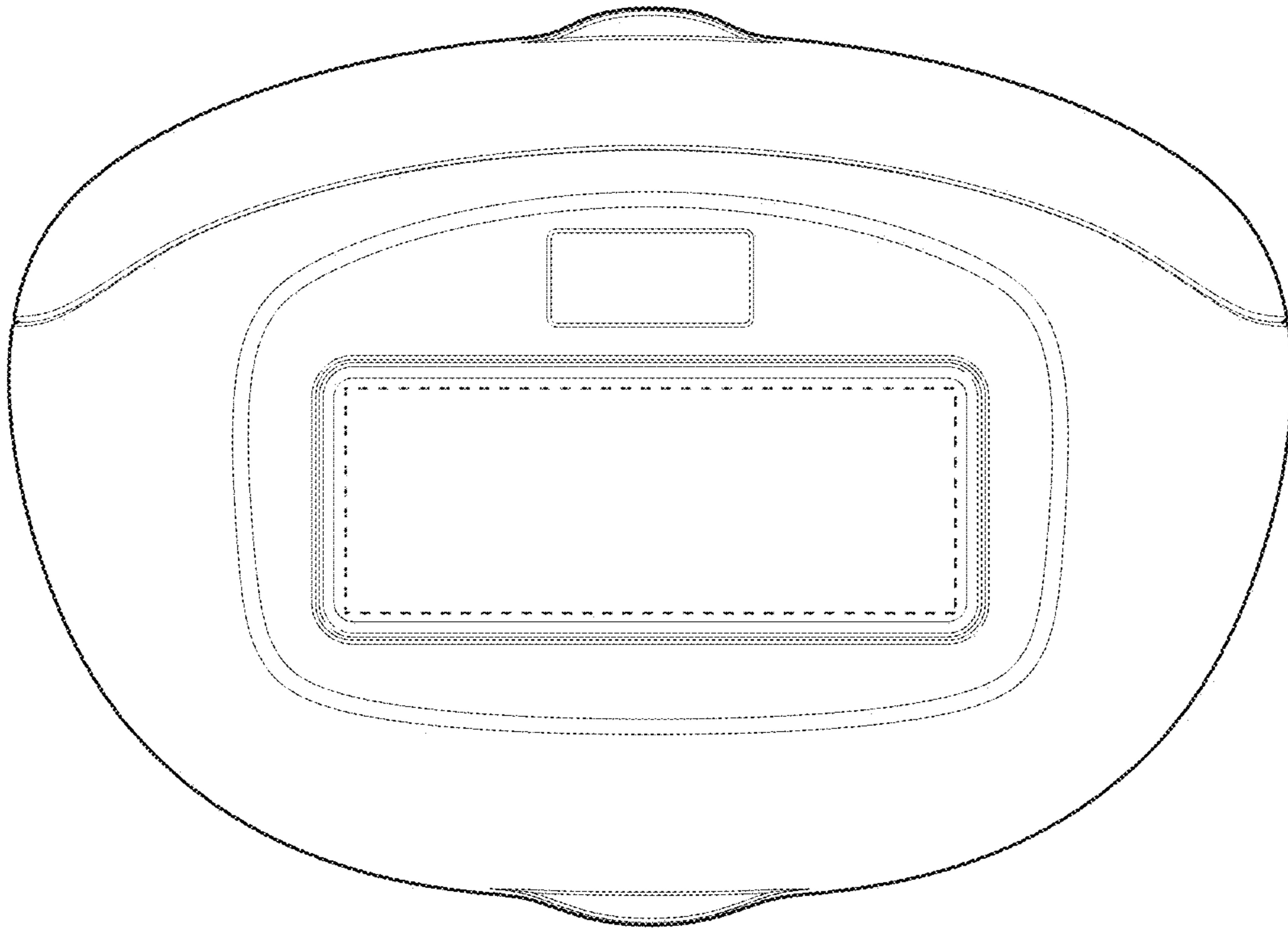


FIG. 6

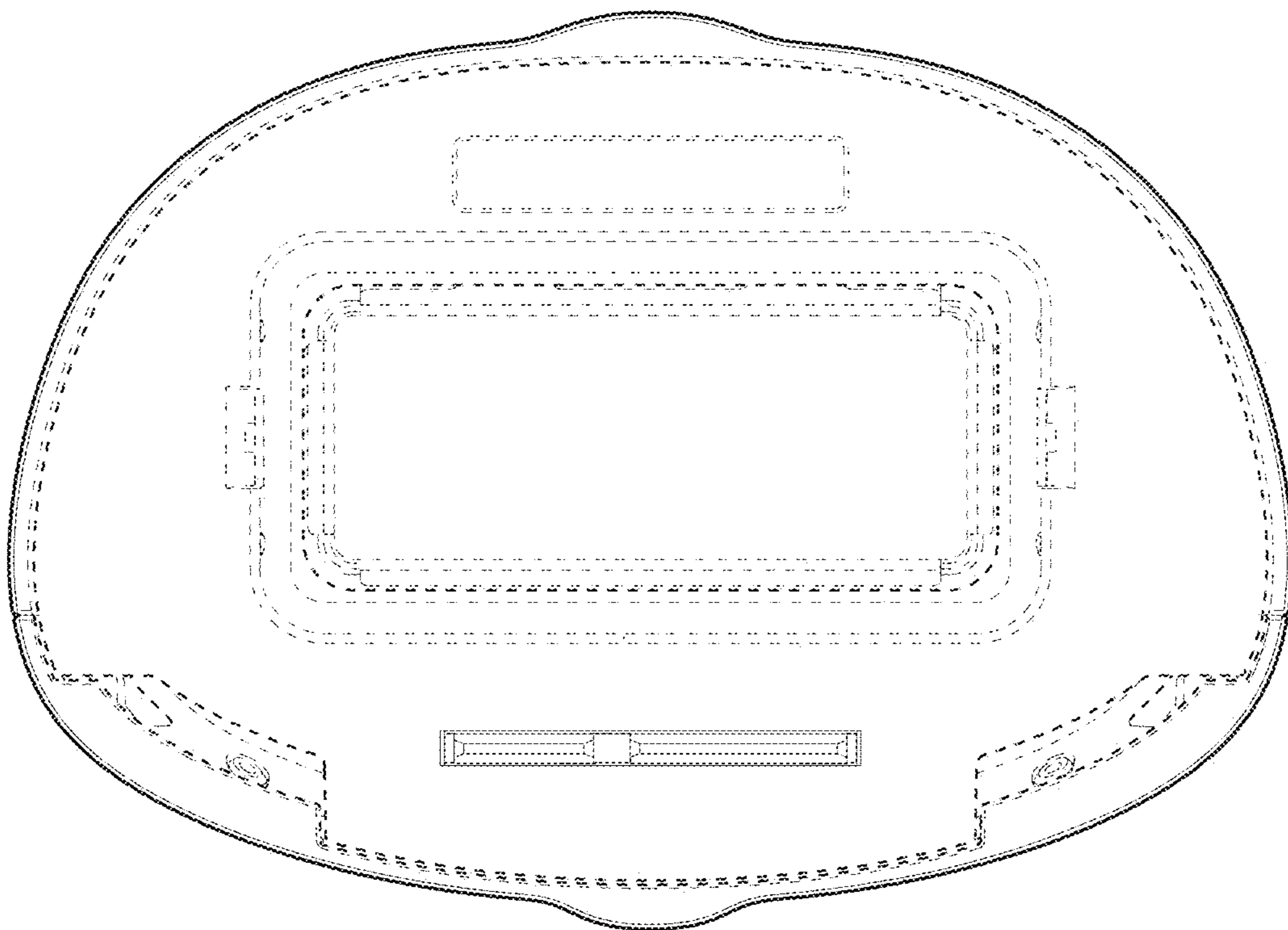


FIG. 7

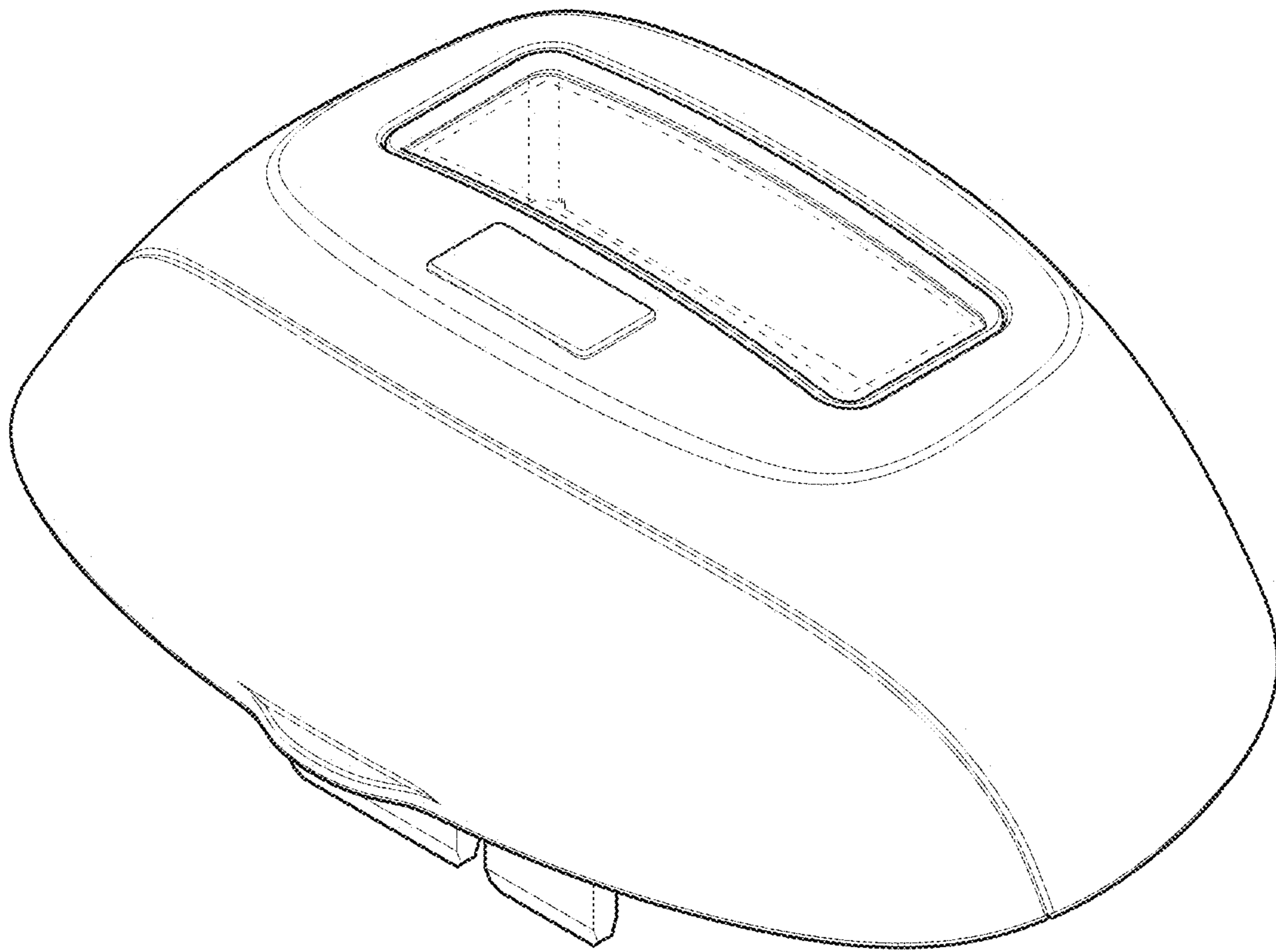


FIG. 8

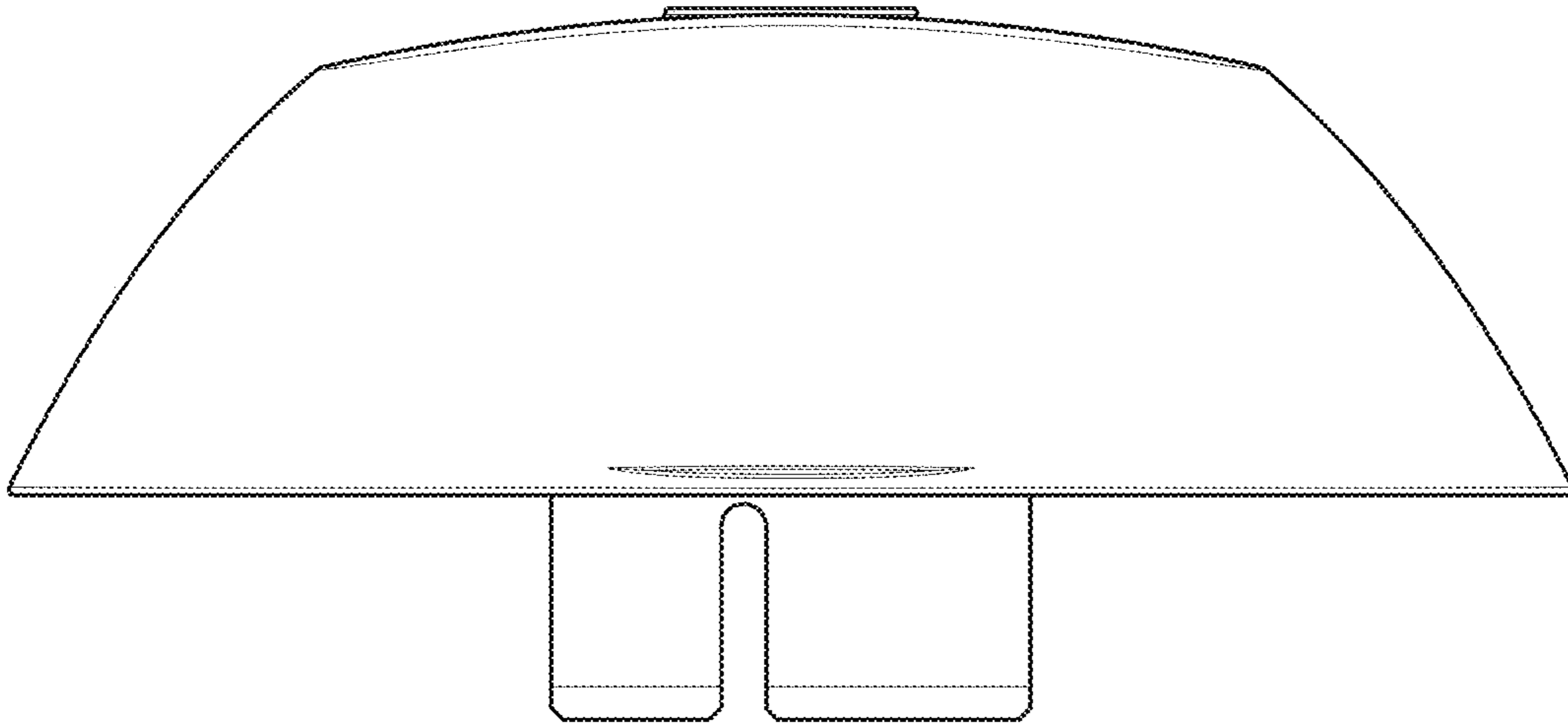


FIG. 9

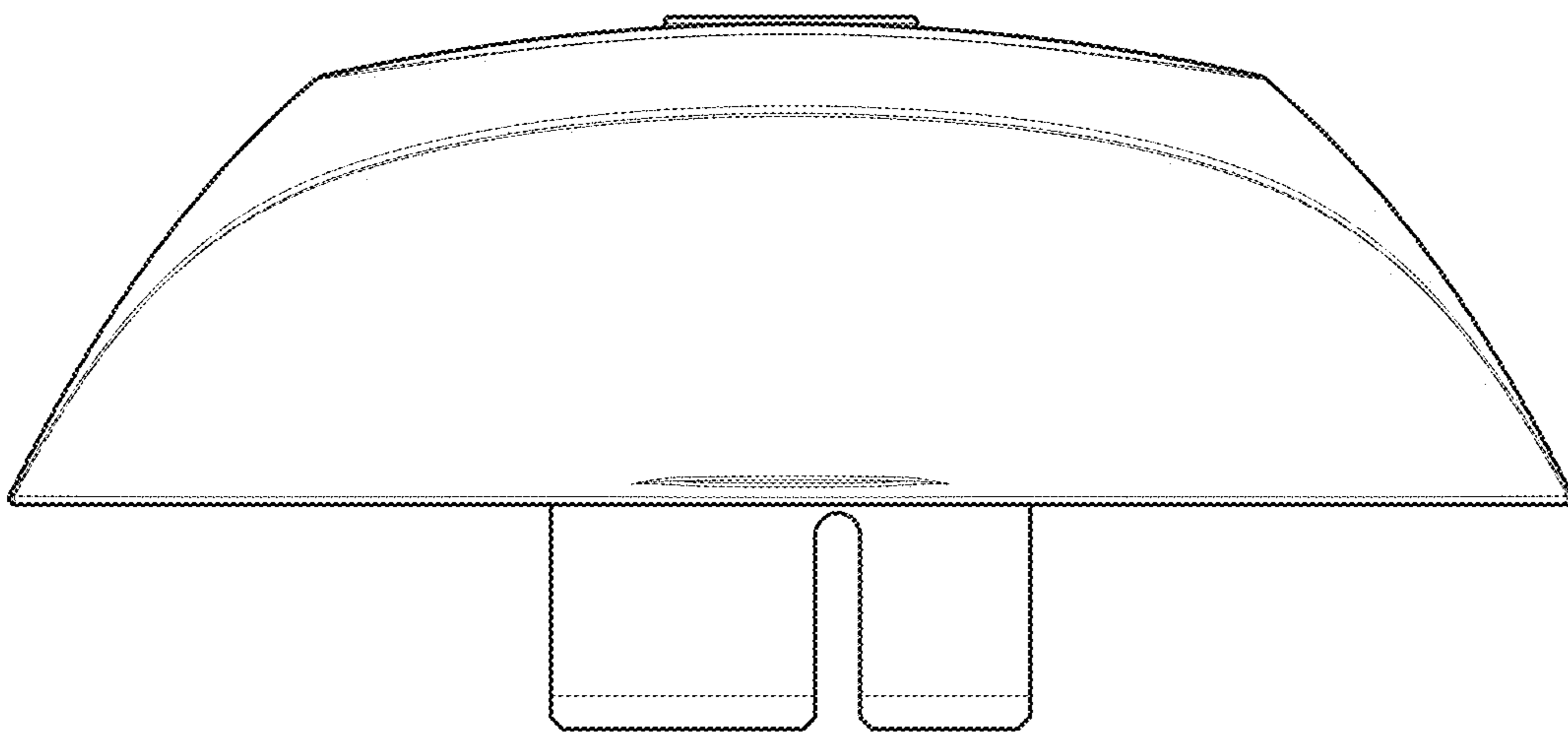


FIG. 10

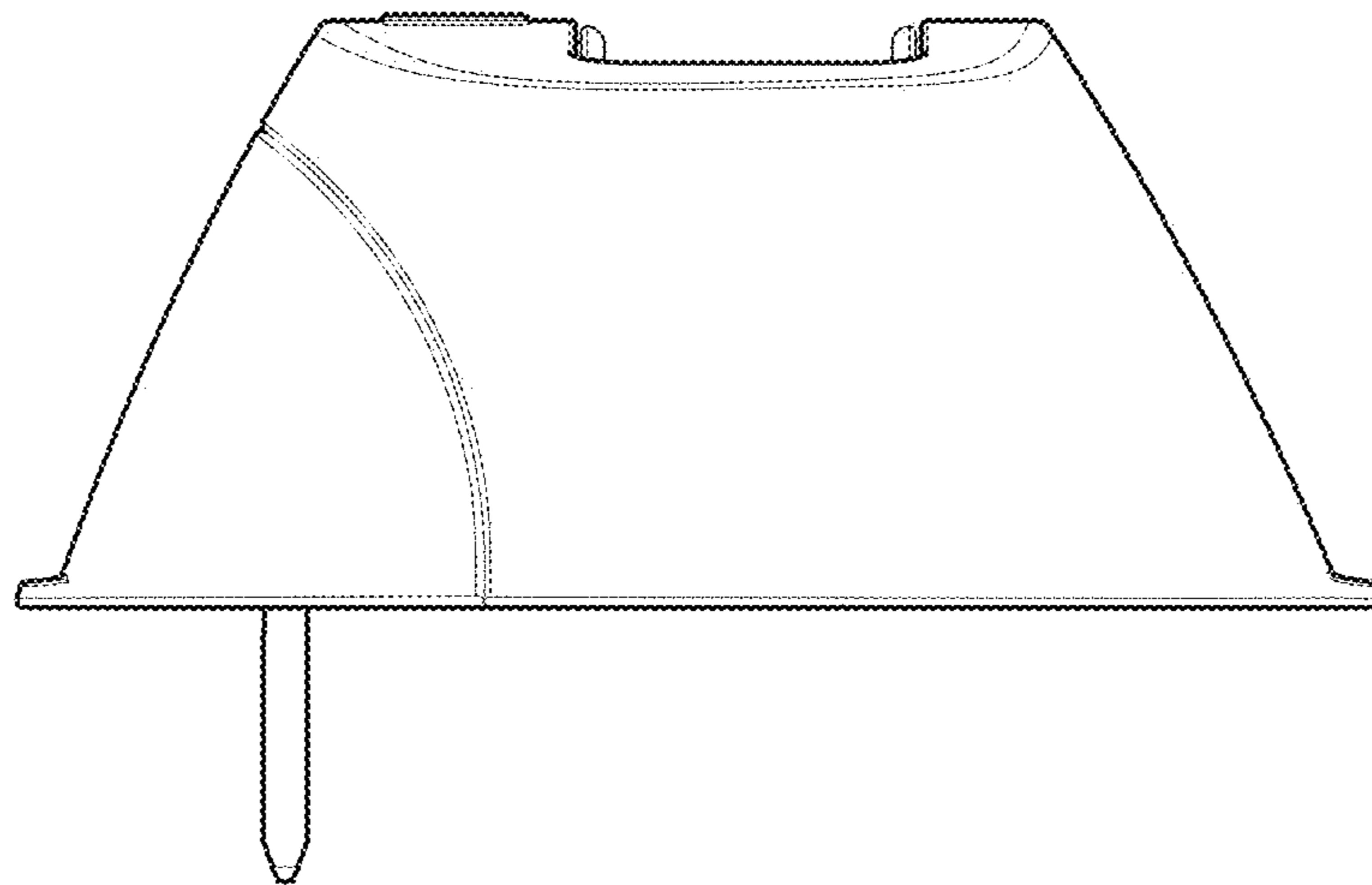


FIG. 11

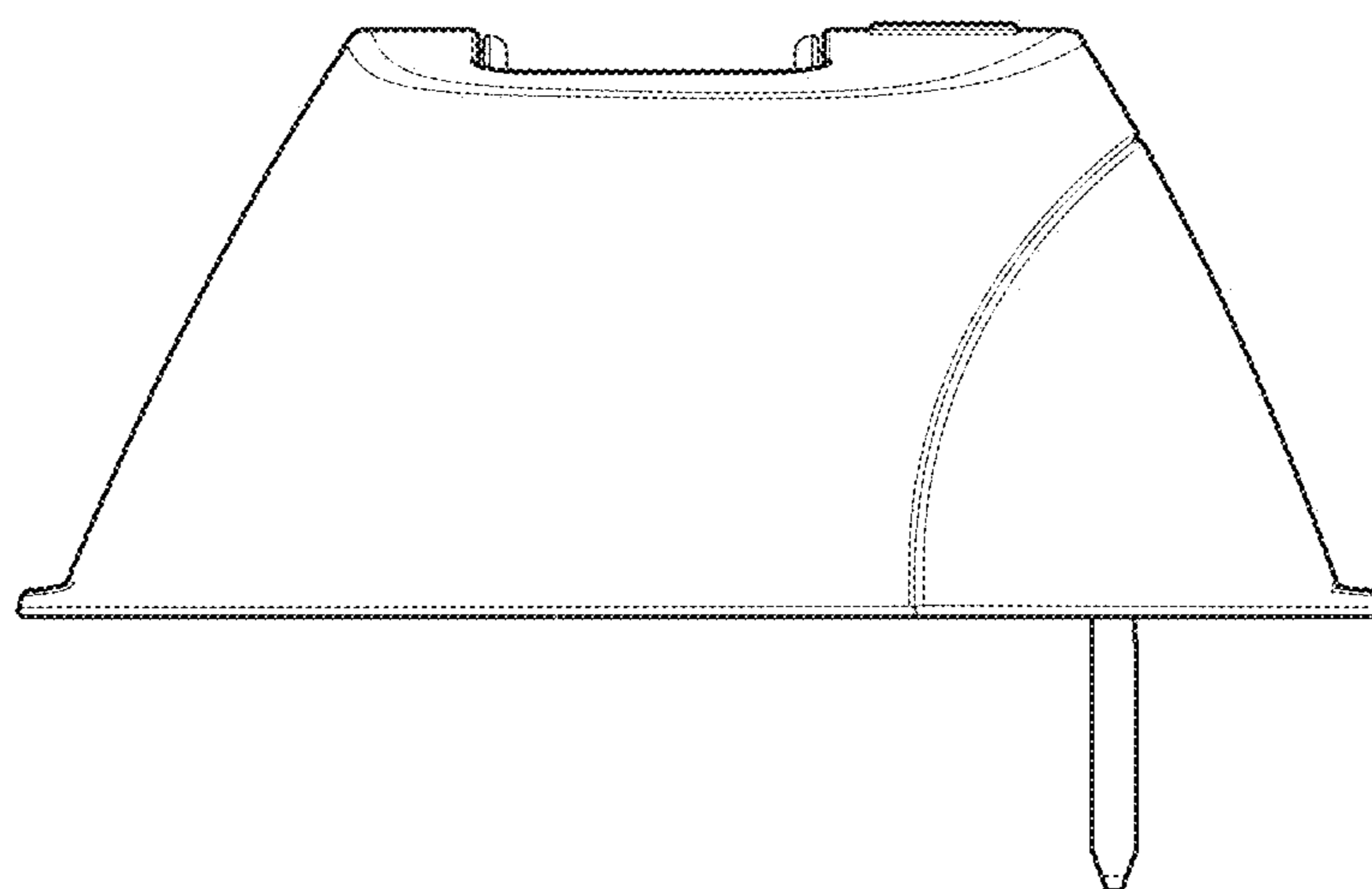


FIG. 12

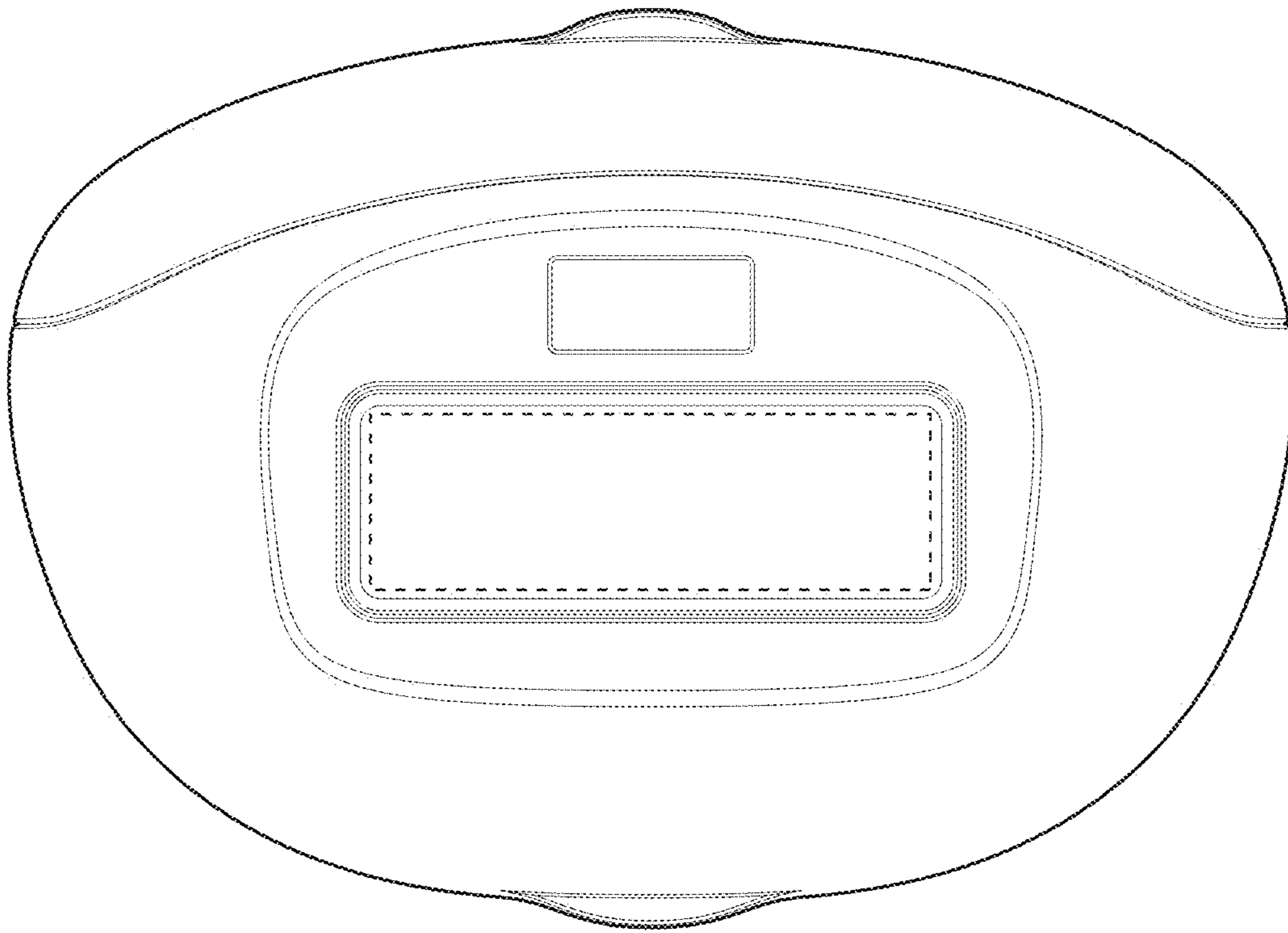


FIG. 13

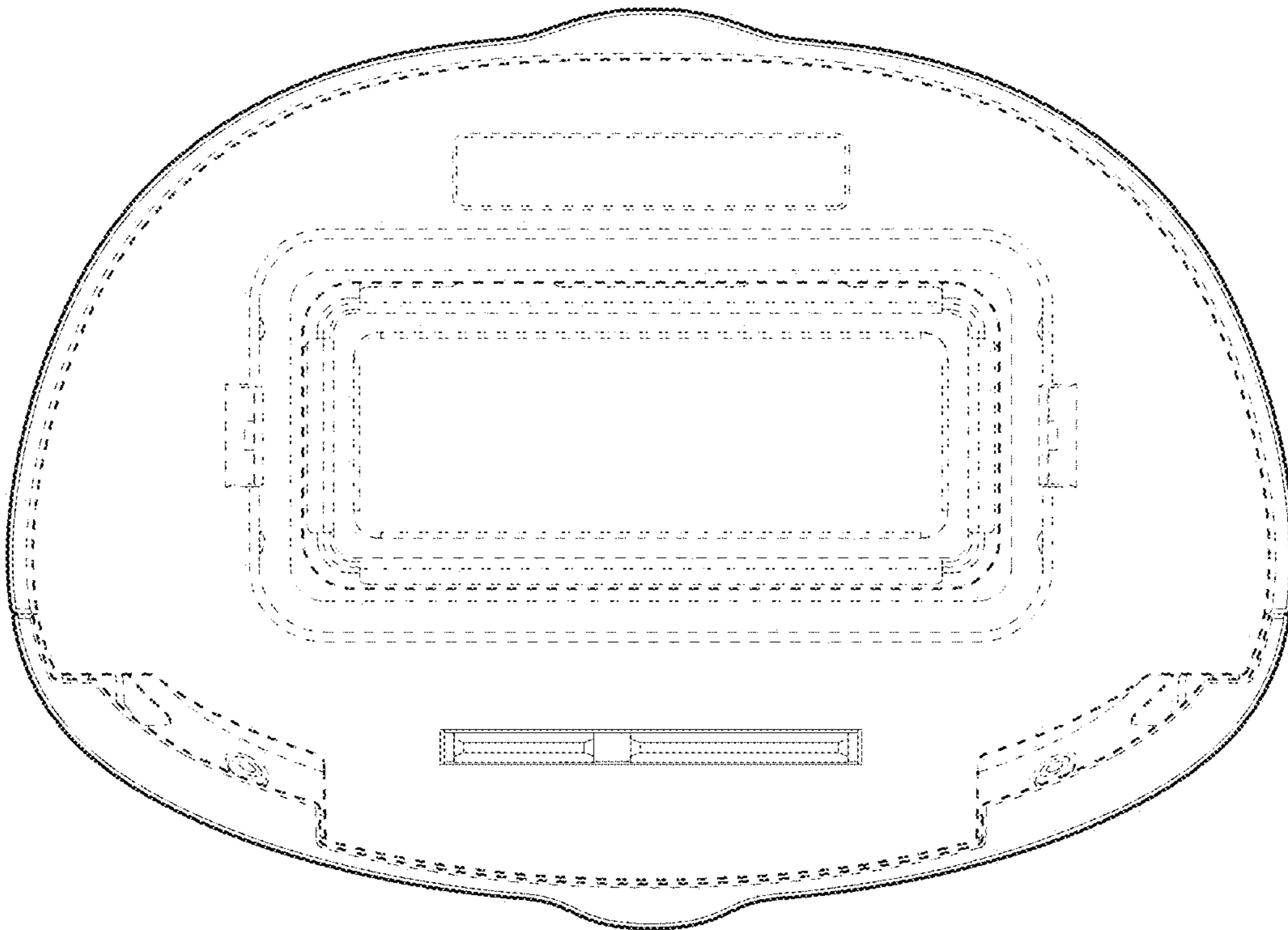


FIG. 14

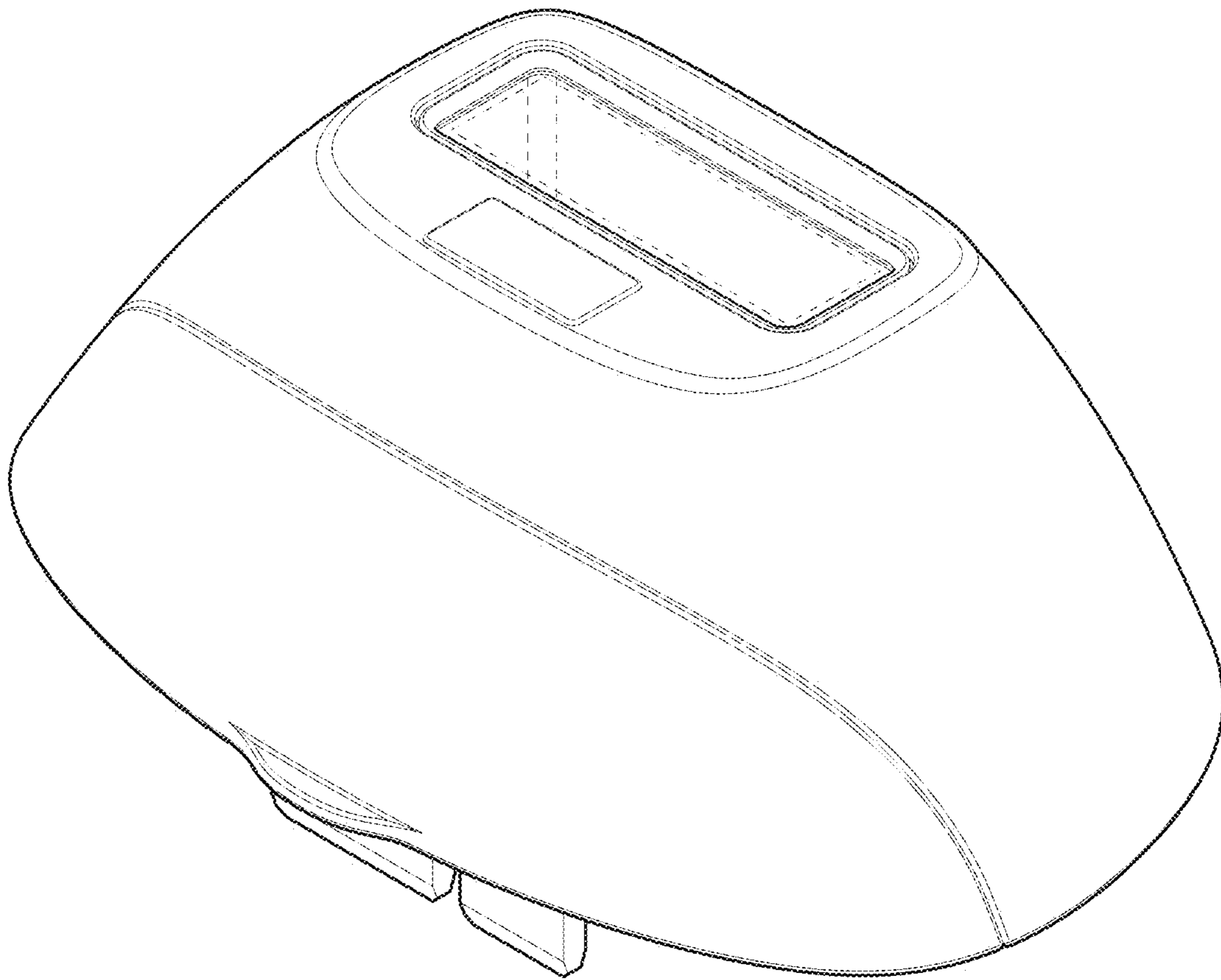


FIG. 15

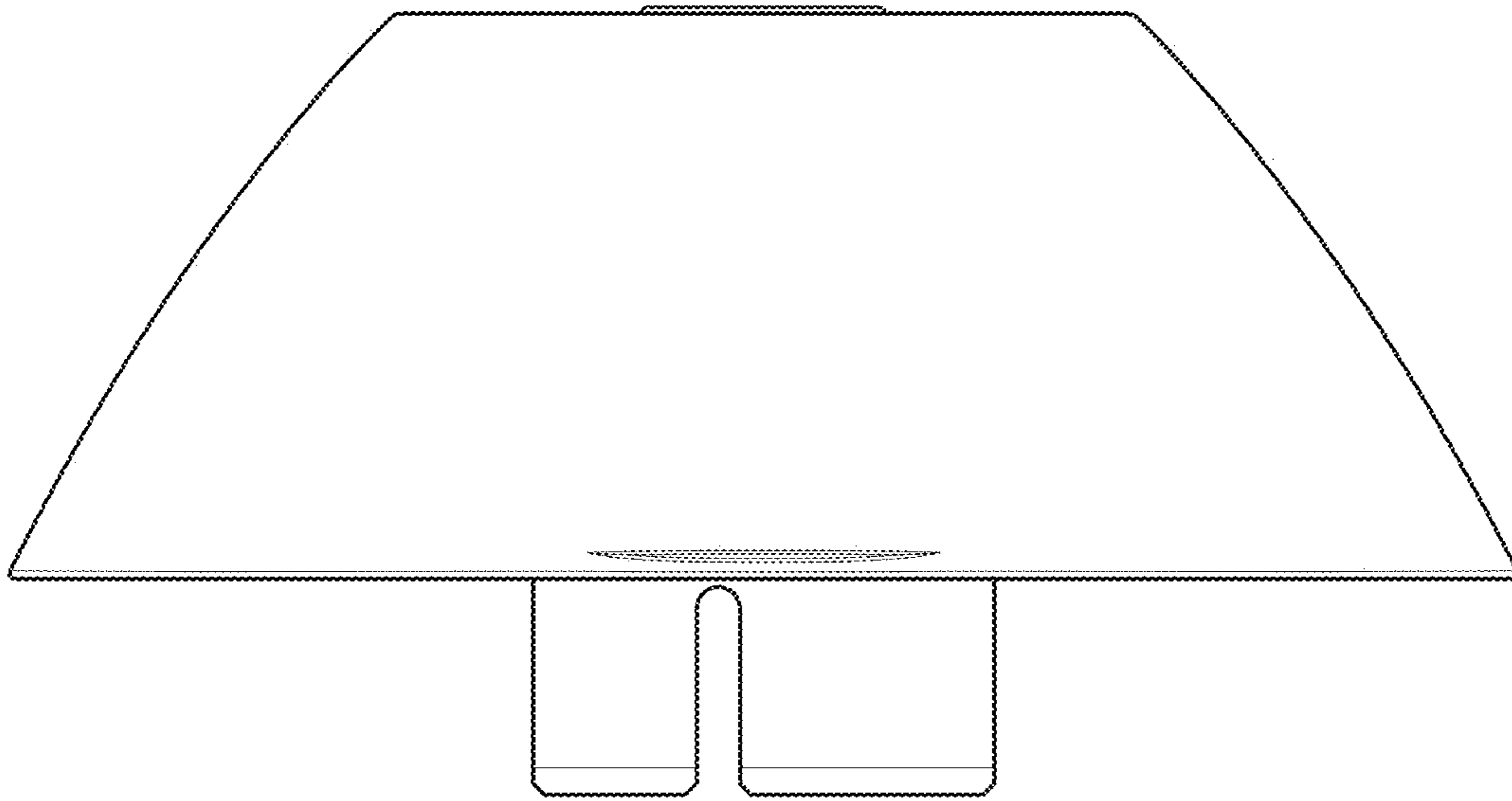


FIG. 16

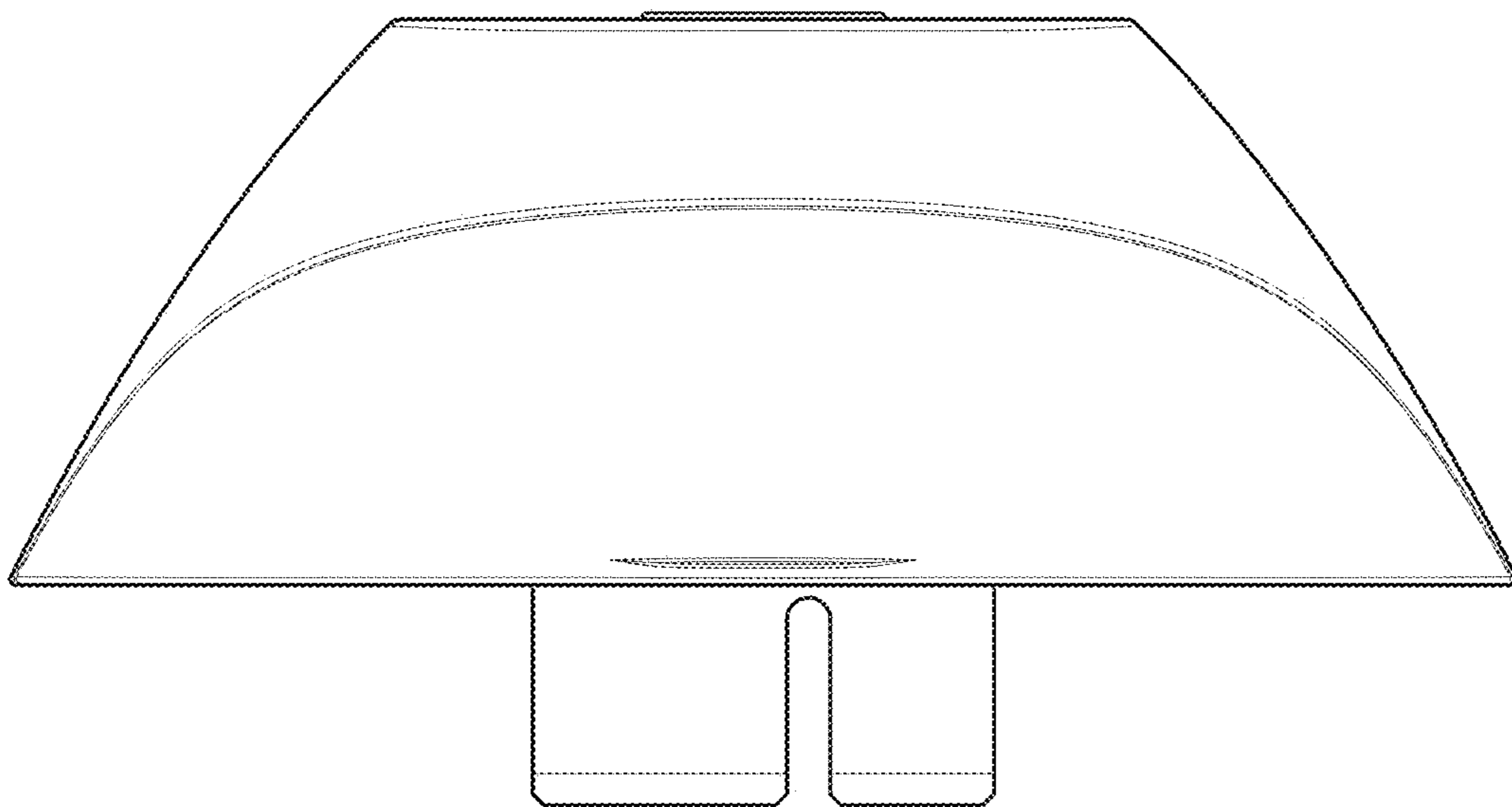


FIG. 17

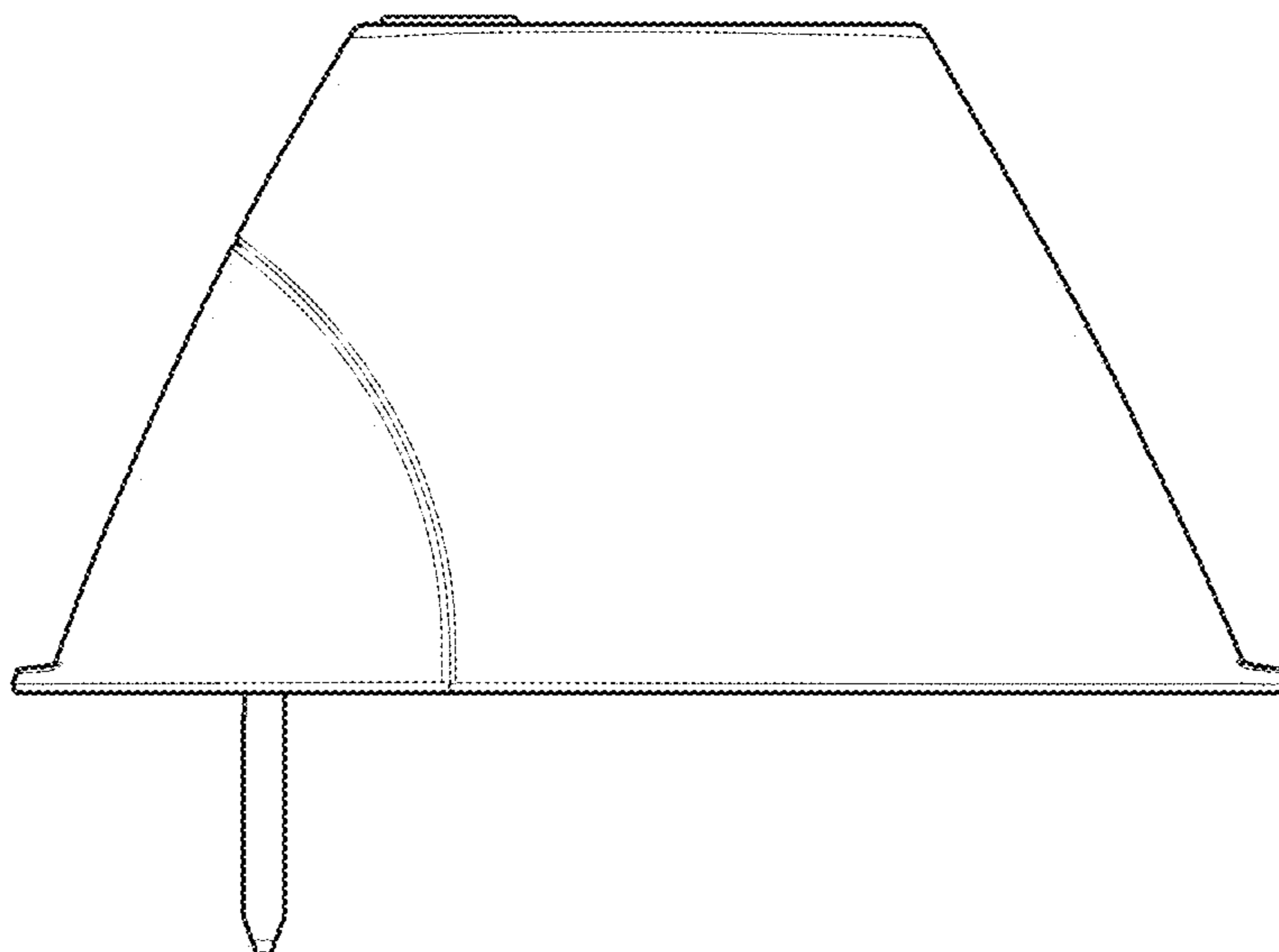


FIG. 18

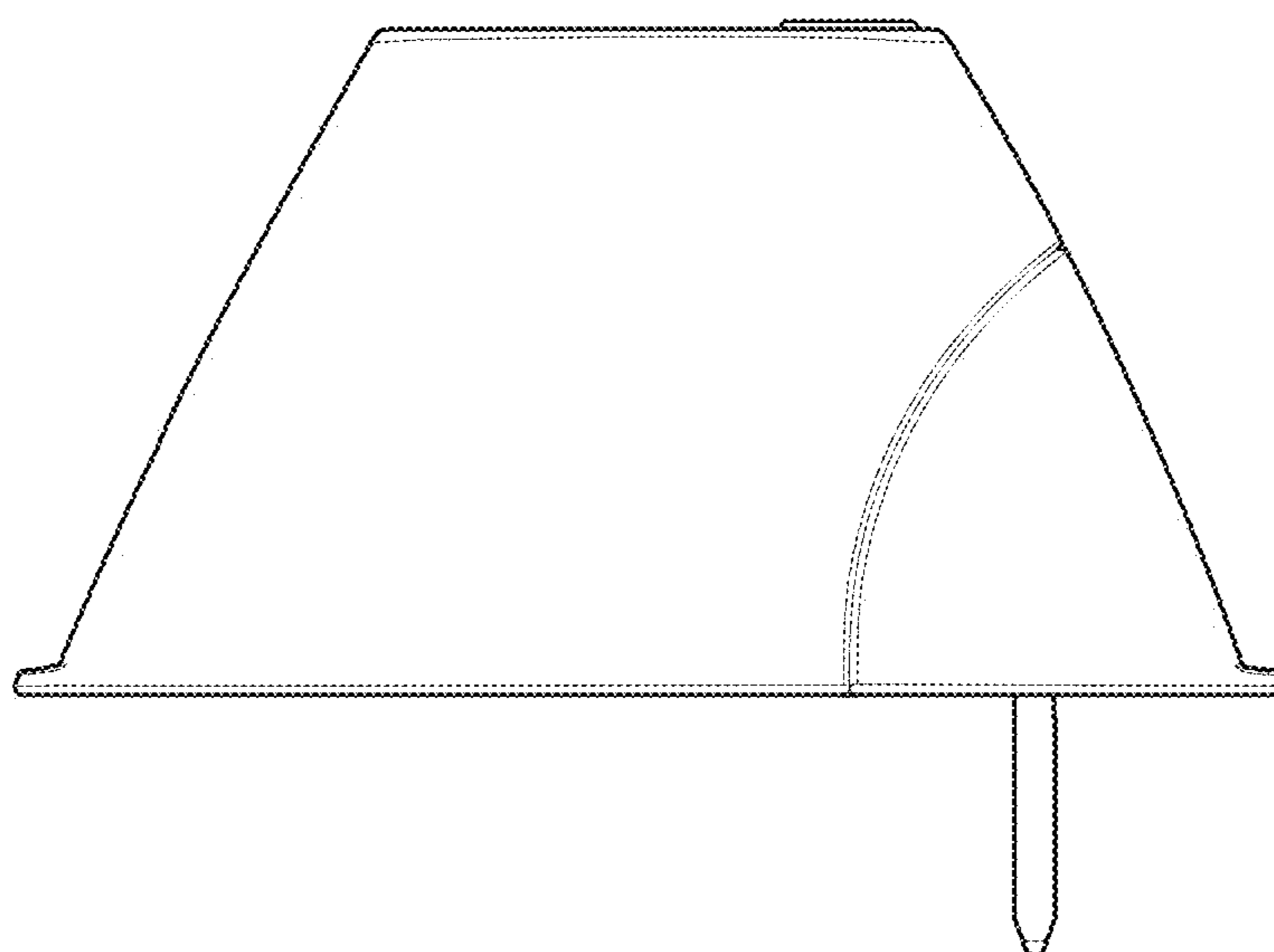


FIG. 19

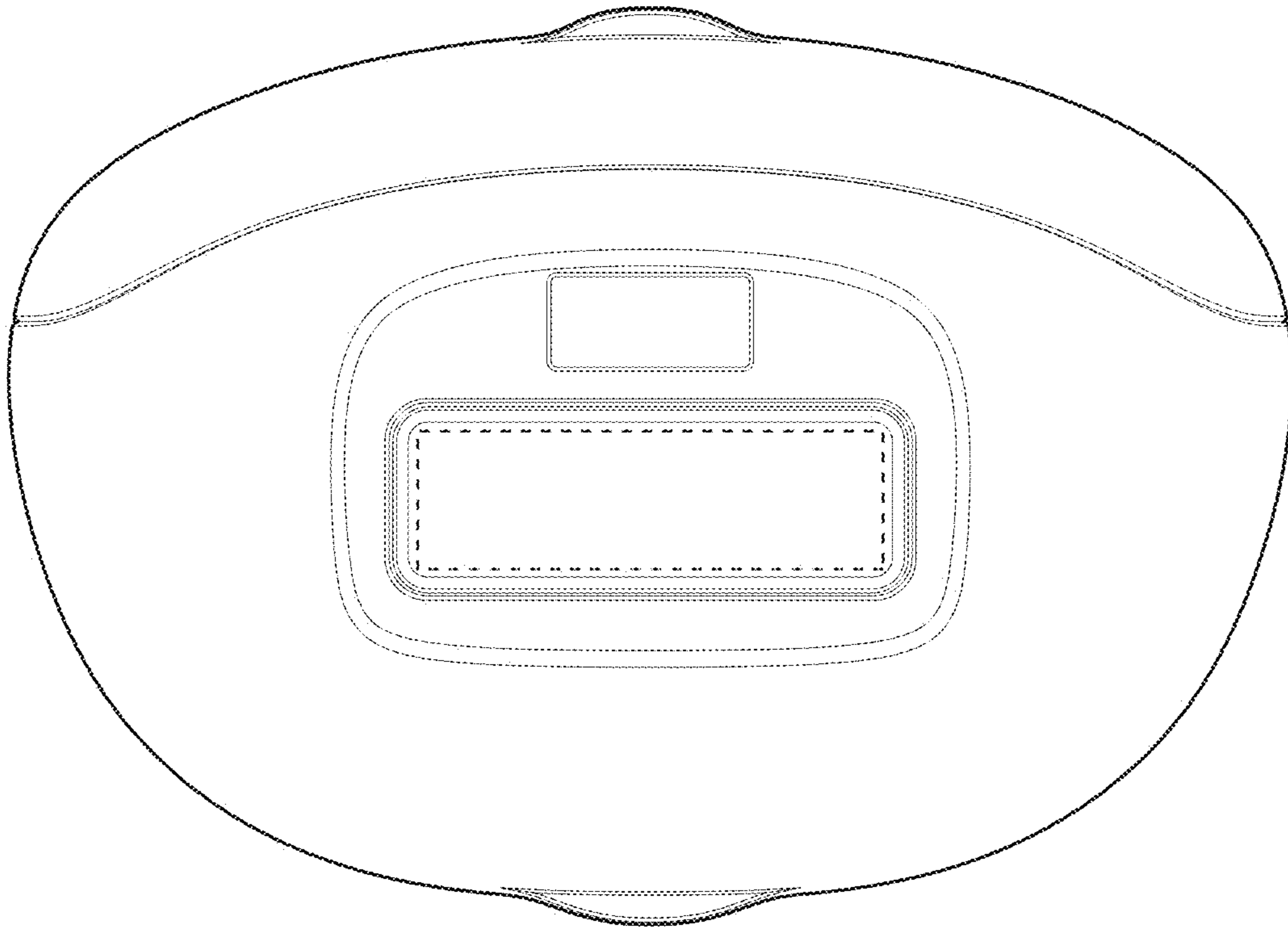


FIG. 20

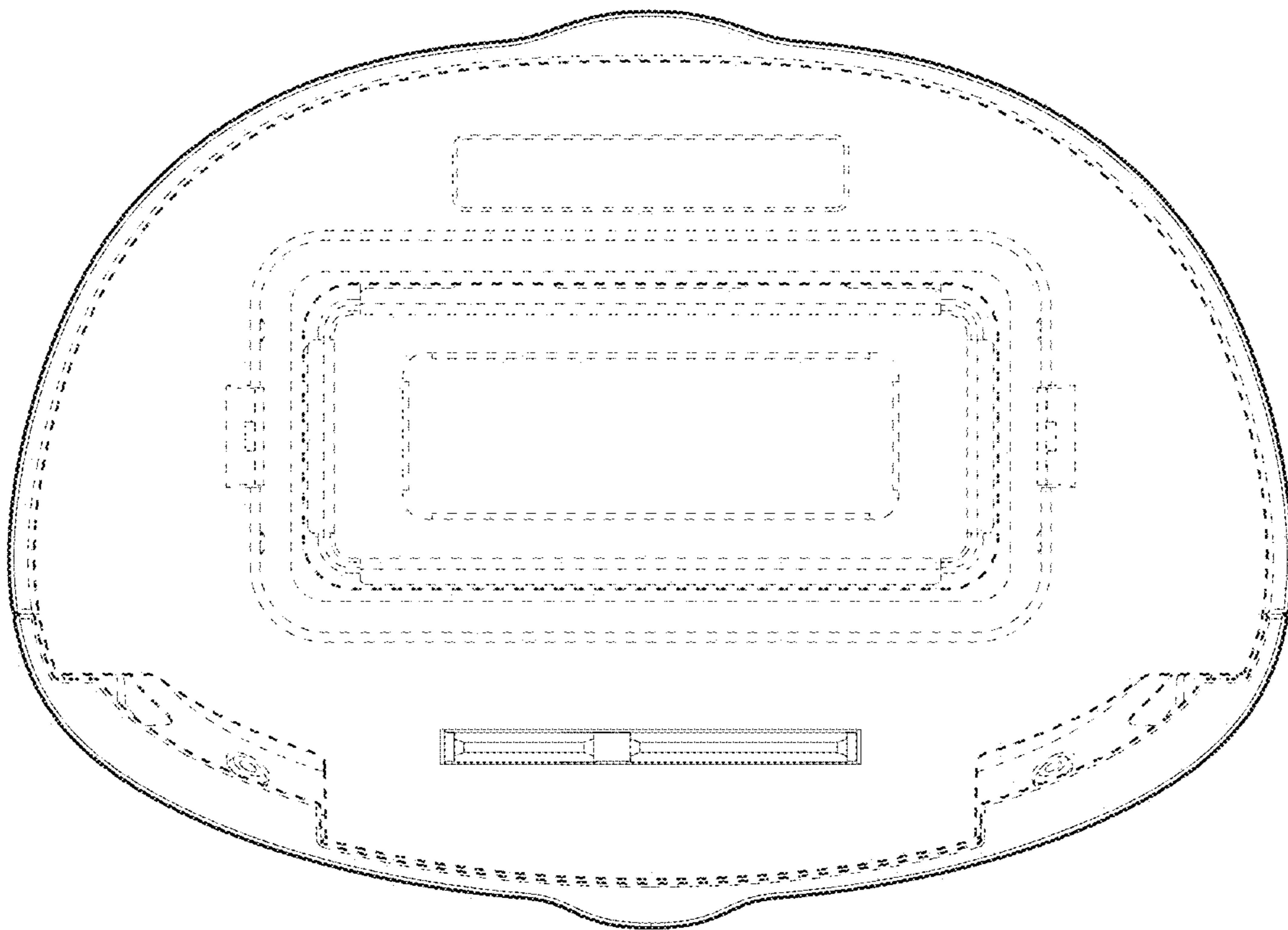


FIG. 21