



US00D914286S

(12) **United States Design Patent** (10) **Patent No.:** **US D914,286 S**
Swackhamer (45) **Date of Patent:** **** Mar. 23, 2021**

- (54) **HAIR CURLING WAND**
- (71) Applicant: **Eurasia Concepts, Inc.**, Hauppauge, NY (US)
- (72) Inventor: **Shaunda L. Swackhamer**, Hauppauge, NY (US)
- (73) Assignee: **Eurasia Concepts, Inc.**, Commack, NY (US)
- (**) Term: **15 Years**
- (21) Appl. No.: **29/707,068**
- (22) Filed: **Sep. 25, 2019**
- (51) **LOC (13) Cl.** **28-03**
- (52) **U.S. Cl.**
USPC **D28/35**
- (58) **Field of Classification Search**
USPC D28/10, 35, 37, 38
CPC A45D 2/00; A45D 2/001; A45D 2/002;
A45D 2/02; A45D 2/04; A45D 2/06;
A45D 2/08; A45D 2/10; A45D 2/12-22;
A45D 2/24-34; A45D 2/36-367; A45D
1/00; A45D 1/04
See application file for complete search history.

D886,374 S * 6/2020 Hein D28/35
 RE48,170 E * 8/2020 Lee A45D 1/04
 2011/0000501 A1 1/2011 Kaizuka
 (Continued)

FOREIGN PATENT DOCUMENTS

CN 206101958 U 4/2016
 CN 206166086 U 5/2017
 (Continued)

OTHER PUBLICATIONS

OnePass Oval Wand, BioIonic, reviewed on Aug. 19, 2020, retrieved on Nov. 13, 2020, retrieved from the Internet URL: https://www.bioionic.com/onepassr-oval-wand?utm_source=linkshare&utm_medium=je6NUbpObpQ&utm_campaign=affiliate&ranMID=44794&ranEAID=je6NUbpObpQ&ranSiteID=utm_source=linkshare&utm_medium=je6NUbpObpQ&utm_ca.*

Primary Examiner — Jennifer Rivard
Assistant Examiner — Alison M Ofstun
 (74) *Attorney, Agent, or Firm* — Gloria Tsui-Yip; Gottlieb, Rackman & Reisman, P.C.

(57) **CLAIM**

The ornamental design for a hair curling wand, as shown and described.

DESCRIPTION

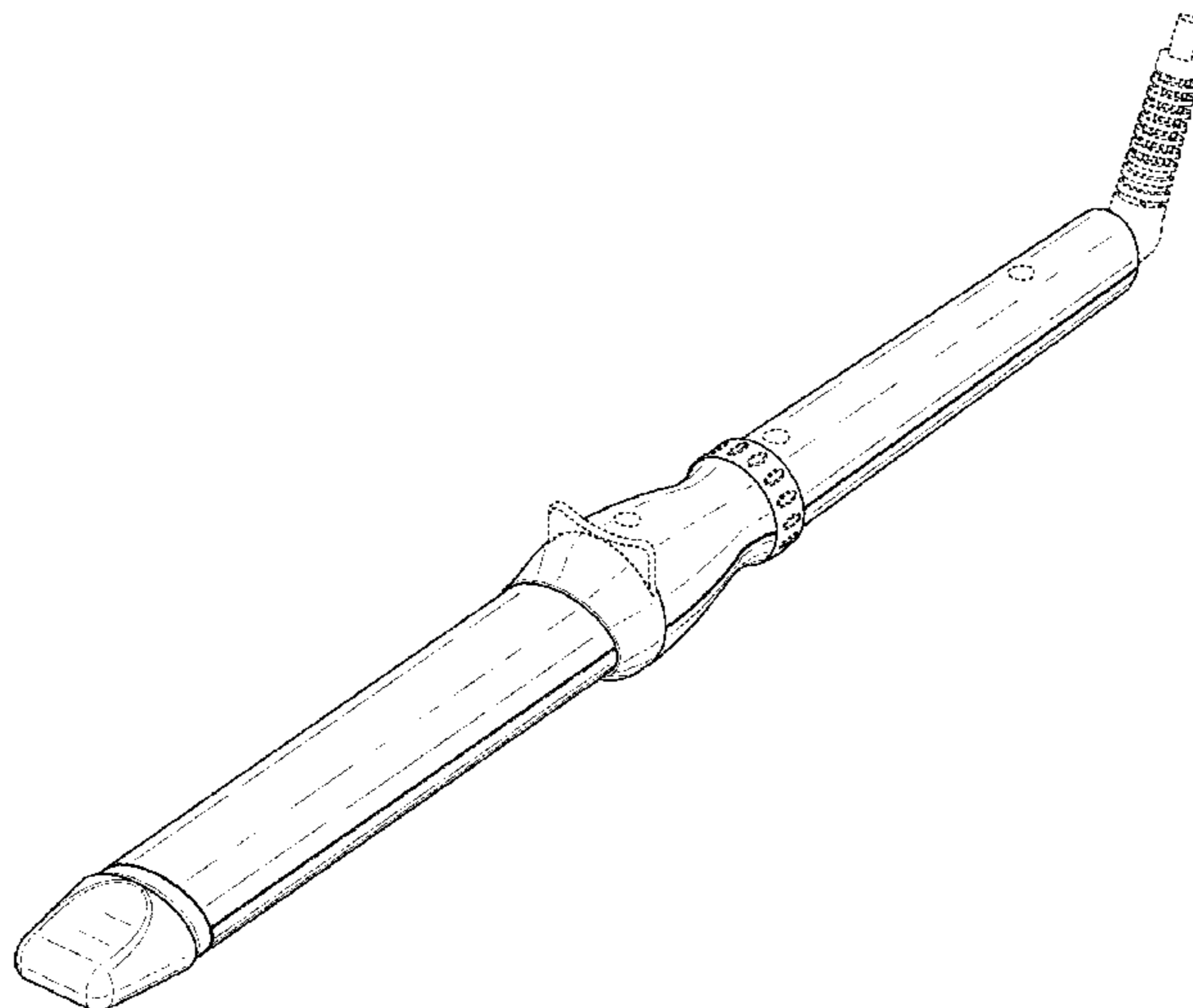
FIG. 1 is a right side elevational view of a hair curling wand showing my new design;
 FIG. 2 is a rear elevational view thereof;
 FIG. 3 is a left side elevational view thereof;
 FIG. 4 is a front elevational view thereof;
 FIG. 5 is a top plan view thereof;
 FIG. 6 is a bottom plan view thereof;
 FIG. 7 is a rear perspective view thereof; and,
 FIG. 8 is a front perspective view thereof.
 In the drawings, the broken lines illustrate portions of the hair curling wand which form no part of the claimed design.

1 Claim, 5 Drawing Sheets

(56) **References Cited**

U.S. PATENT DOCUMENTS

- 4,228,343 A * 10/1980 Kanner A45D 1/04
219/225
- 4,866,248 A 9/1989 Altamore
- D672,499 S 12/2012 Kim
- 8,539,964 B2 * 9/2013 Rong A45D 1/04
132/232
- D698,489 S * 1/2014 Byun D28/35
- D726,962 S 4/2015 Sayers et al.
- D726,963 S * 4/2015 Sayers D28/35
- 10,117,488 B2 * 11/2018 Han A45D 7/02
- D847,427 S * 4/2019 Shen D28/35
- D855,252 S * 7/2019 Coulton D28/18
- D857,292 S * 8/2019 Hu D28/35



(56)

References Cited

U.S. PATENT DOCUMENTS

2011/0284020 A1* 11/2011 Tam A45D 2/122
132/211
2013/0240498 A1* 9/2013 Tang A45D 1/04
219/225
2015/0075551 A1* 3/2015 Richmond A45D 7/02
132/211
2015/0128985 A1* 5/2015 Lee A45D 1/02
132/211
2017/0231353 A1 8/2017 Romeo

FOREIGN PATENT DOCUMENTS

CN 107242664 A 10/2017
CN 107319719 A 11/2017
KR 200194892 Y1 9/2000
WO WO2012/045592 A1 4/2012

* cited by examiner

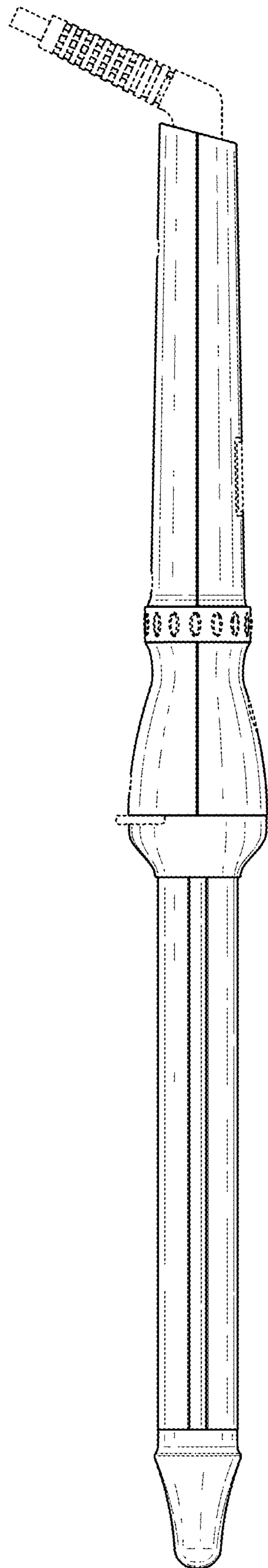


FIG.1

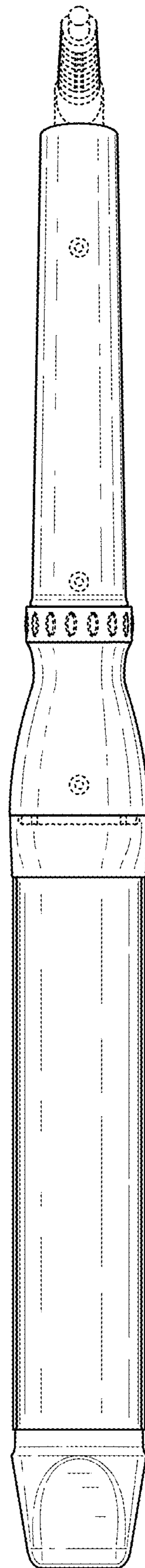


FIG.2

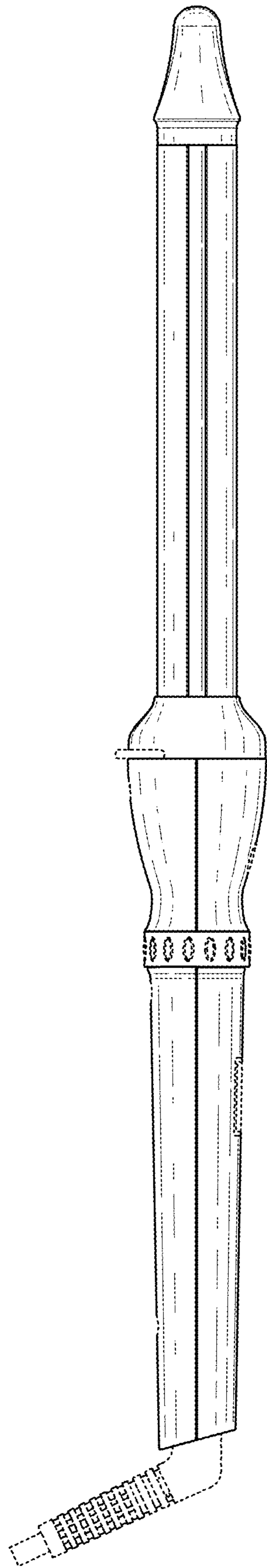


FIG.3

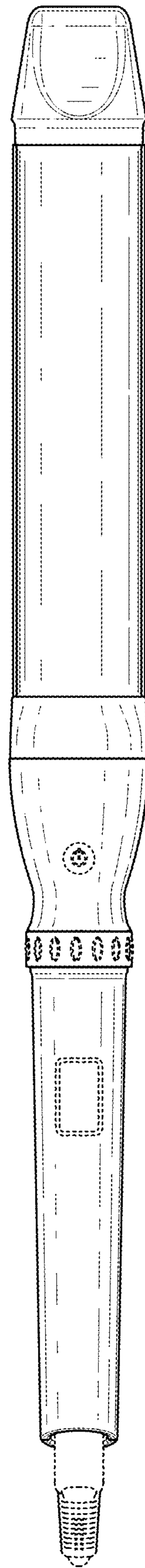


FIG.4

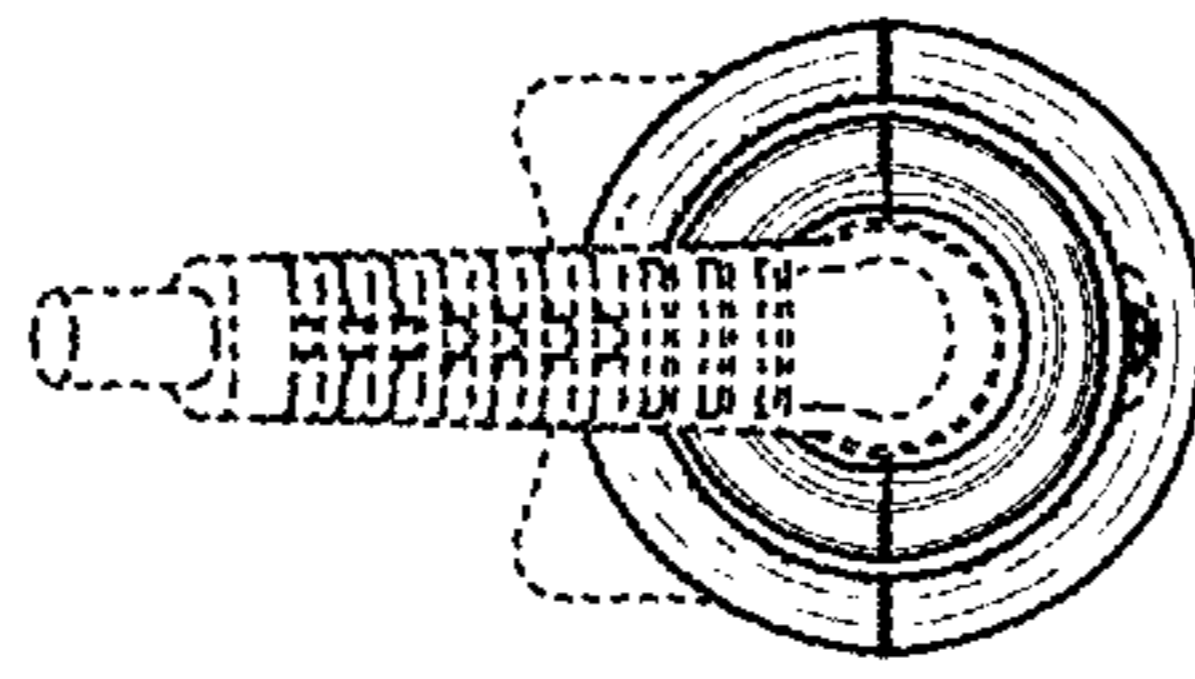


FIG.6

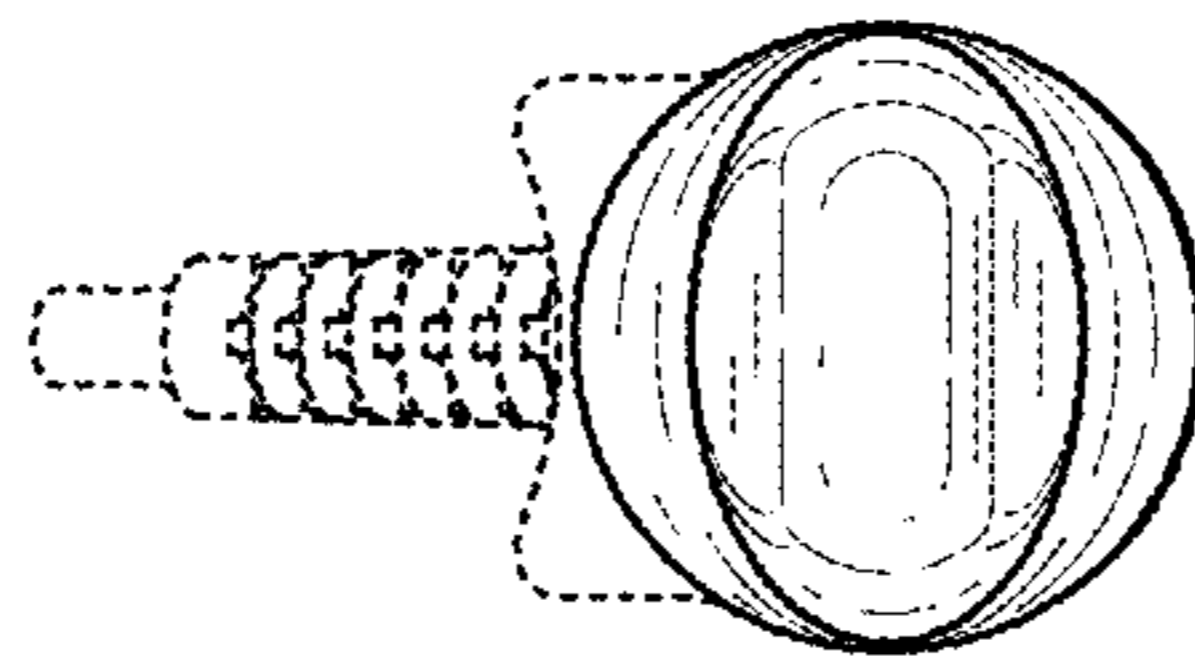


FIG.5

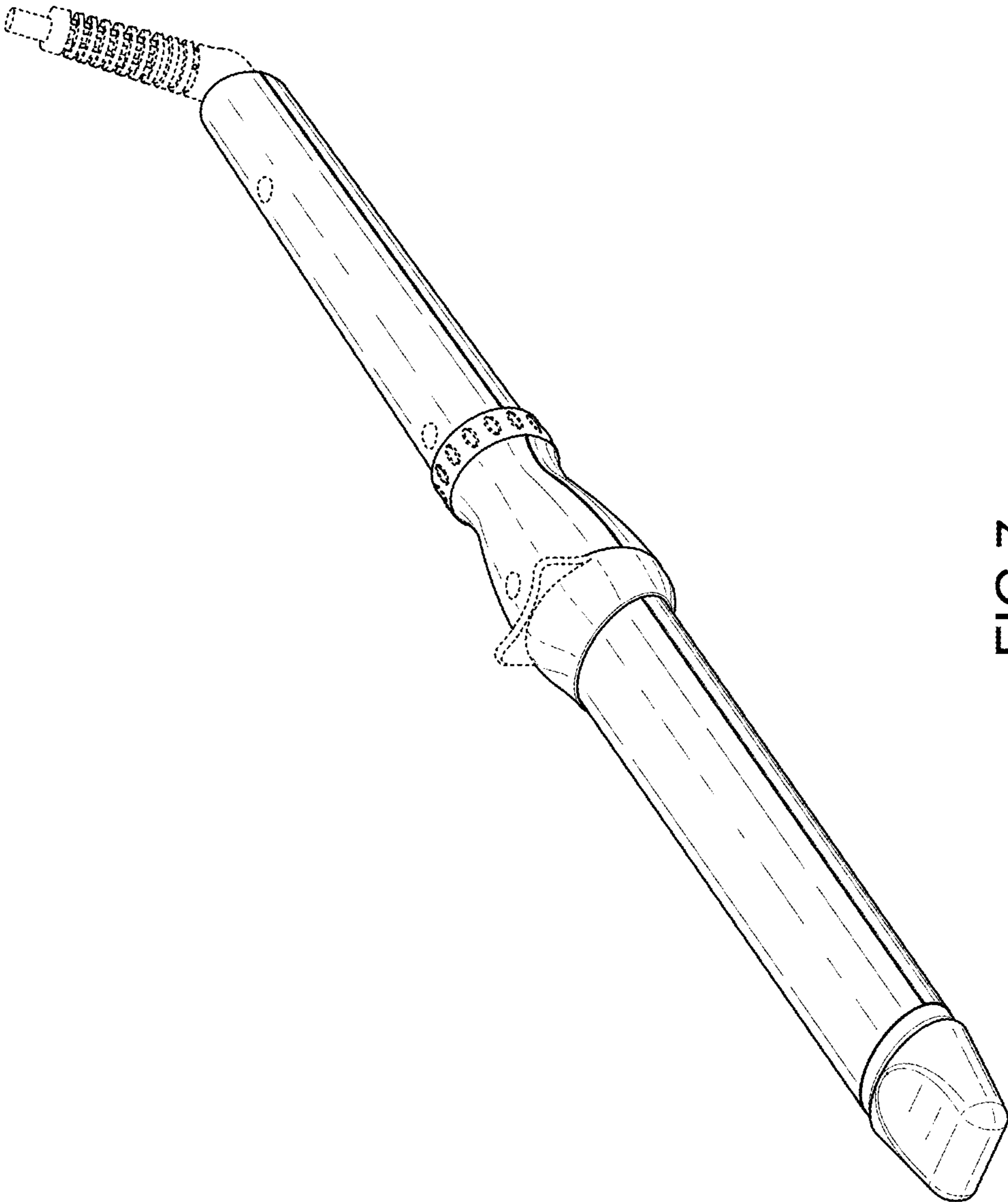


FIG.7

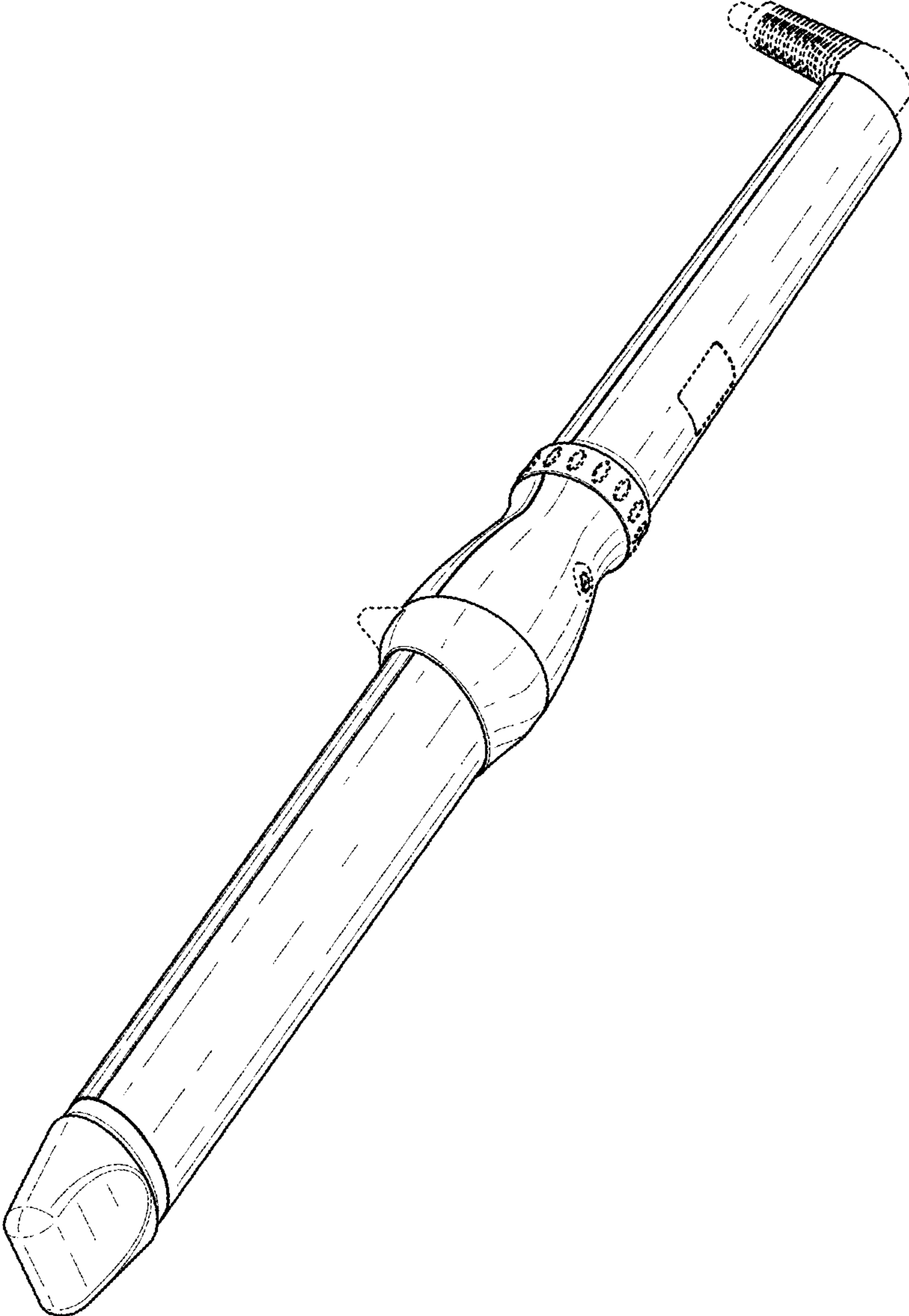


FIG.8