



US00D914285S

(12) **United States Design Patent**
Kan

(10) **Patent No.:** **US D914,285 S**

(45) **Date of Patent:** **** Mar. 23, 2021**

(54) **HAIR DRYER**

(71) Applicant: **LUMIELINA INTERNATIONAL INC.**, Tokyo (JP)

(72) Inventor: **Satoshi Kan**, Tokyo (JP)

(73) Assignee: **LUMIELINA INTERNATIONAL INC.**, Tokyo (JP)

(**) Term: **15 Years**

(21) Appl. No.: **29/678,107**

(22) Filed: **Jan. 25, 2019**

(30) **Foreign Application Priority Data**

Jul. 27, 2018 (JP) 2018-016499

(51) **LOC (13) Cl.** **28-03**

(52) **U.S. Cl.**
USPC **D28/18**

(58) **Field of Classification Search**
USPC D28/10, 11, 12, 13, 14, 15, 16, 17, 18,
D28/19, 20, 39, 41, 42, 73, 76, 77, 78,
D28/79, 81, 82, 83, 84, 91, 91.2, 92, 93
CPC A45D 20/00; A45D 20/04; A45D 20/06;
A45D 20/08; A45D 20/10; A45D 20/12;
A45D 20/122; A45D 20/124; A45D
20/18; A45D 20/48; A45D 20/52
See application file for complete search history.

(56) **References Cited**

U.S. PATENT DOCUMENTS

- 3,461,556 A * 8/1969 Chambers H01H 21/10
30/277.4
- D243,418 S * 2/1977 Wolff D28/13
- D457,266 S * 5/2002 Yeung D28/13
- D516,883 S * 3/2006 Popov D8/29.1
- D577,861 S * 9/2008 Leung D28/13
- D586,037 S * 2/2009 Smith D28/13

- D641,220 S * 7/2011 Shi D8/29.1
- D679,561 S * 4/2013 Price D8/29.1
- D814,262 S * 4/2018 Khubani D8/68
- D838,301 S * 1/2019 Prikler D15/144
- D840,032 S * 2/2019 Clifford D24/146
- 2019/0014880 A1 * 1/2019 deGrood A45D 20/12

FOREIGN PATENT DOCUMENTS

WO WO-2004052142 A1 * 6/2004 A45D 20/30

OTHER PUBLICATIONS

Bioprogramming REPRONIZER 4D Plus, announced Dec. 30, 2019 [online], retrieved Apr. 22, 2020, retrieved from internet, <https://www.amazon.com/LUMIELINA-Bioprogramming-REPRONIZER-4D-Plus/dp/B07V25QXHB>.*

(Continued)

Primary Examiner — Dana K Weiland

Assistant Examiner — Messina L Smith

(74) *Attorney, Agent, or Firm* — Cantor Colburn LLP

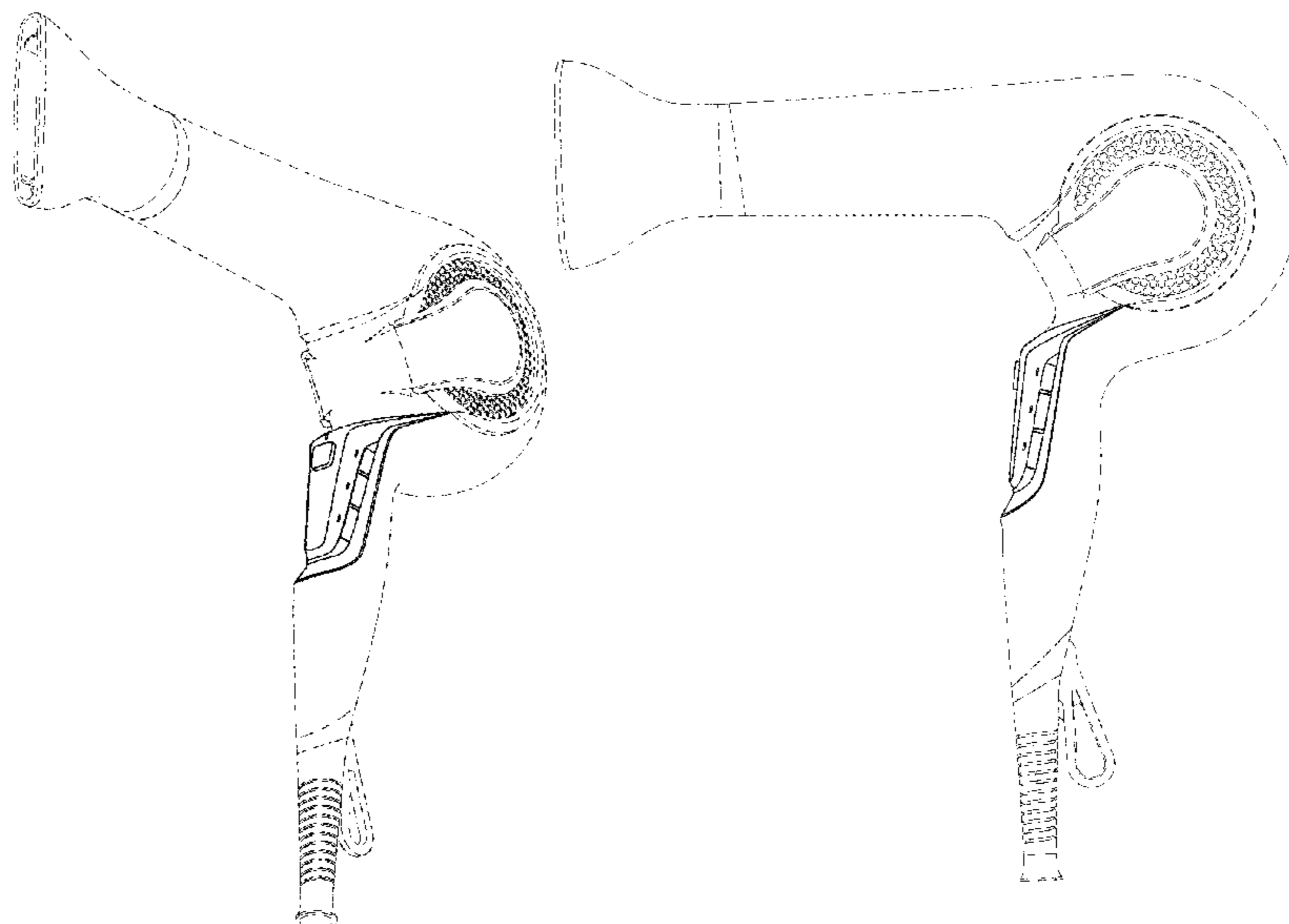
(57) **CLAIM**

The ornamental design for a hair dryer, as shown and described.

DESCRIPTION

FIG. 1 is a perspective view of a hair dryer showing my new design;
FIG. 2 is a front view of FIG. 1;
FIG. 3 is a rear view of FIG. 1;
FIG. 4 is a right side view of FIG. 1;
FIG. 5 is a left side view of FIG. 1;
FIG. 6 is a top plan view of FIG. 1; and,
FIG. 7 is a bottom view of FIG. 1.
The broken lines in the drawings are for the purpose of illustrating portions of the hair dryer that form no part of the claimed design.

1 Claim, 7 Drawing Sheets



(56)

References Cited

OTHER PUBLICATIONS

REPRONIZER, announced Sep. 17, 2019 [online], retrieved Apr. 22, 2020, retrieved from internet, <https://www.youtube.com/watch?v=h-FEz83vlos>.*

Vernal Equinox Dayi, announced Mar. 22, 2019 [online], retrieved Apr. 22, 2020, retrieved from internet, <https://sonokotchiworld.com/2019/03/22/vernal-equinox-dayi/>.*

* cited by examiner

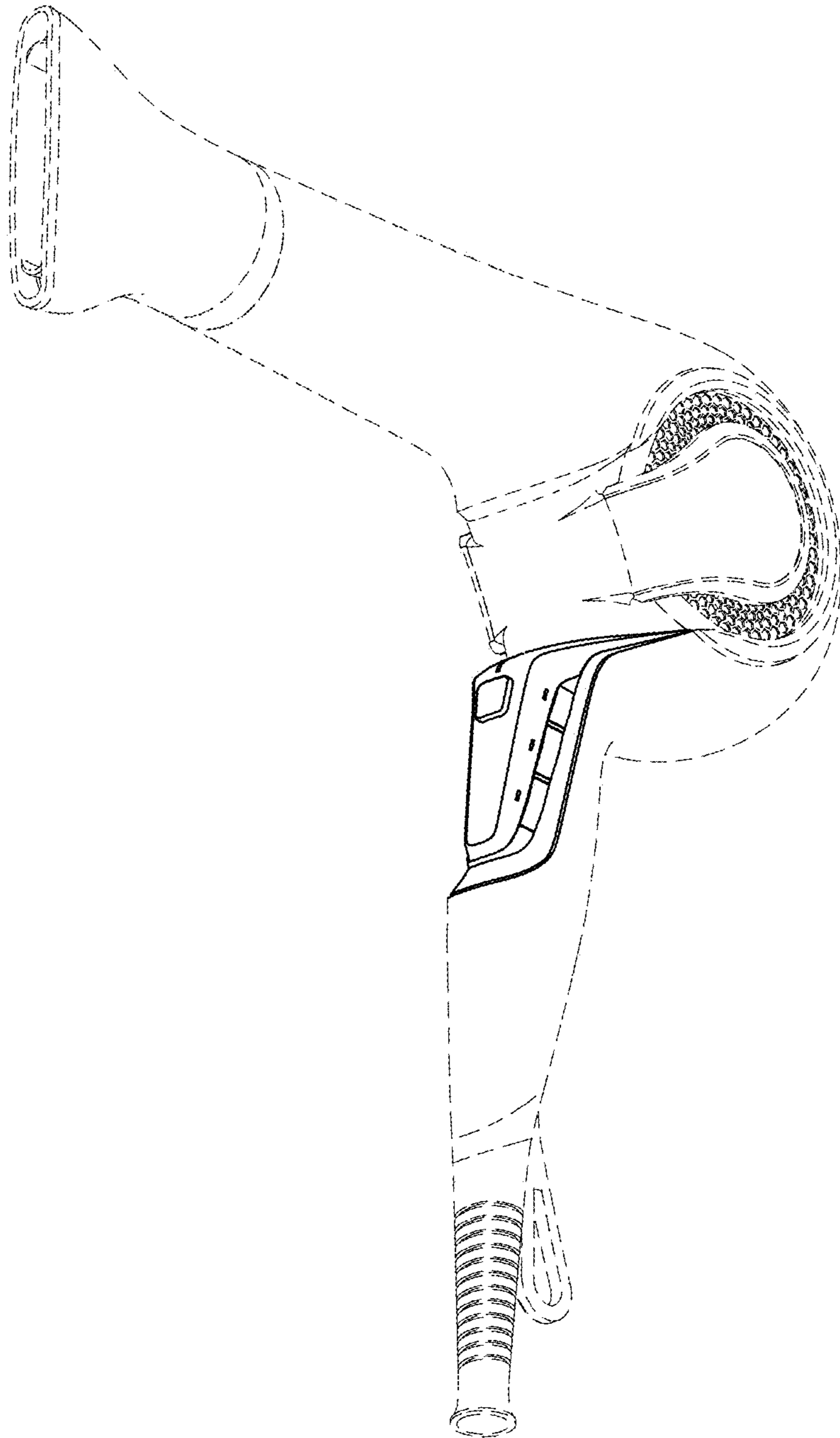


FIG. 1

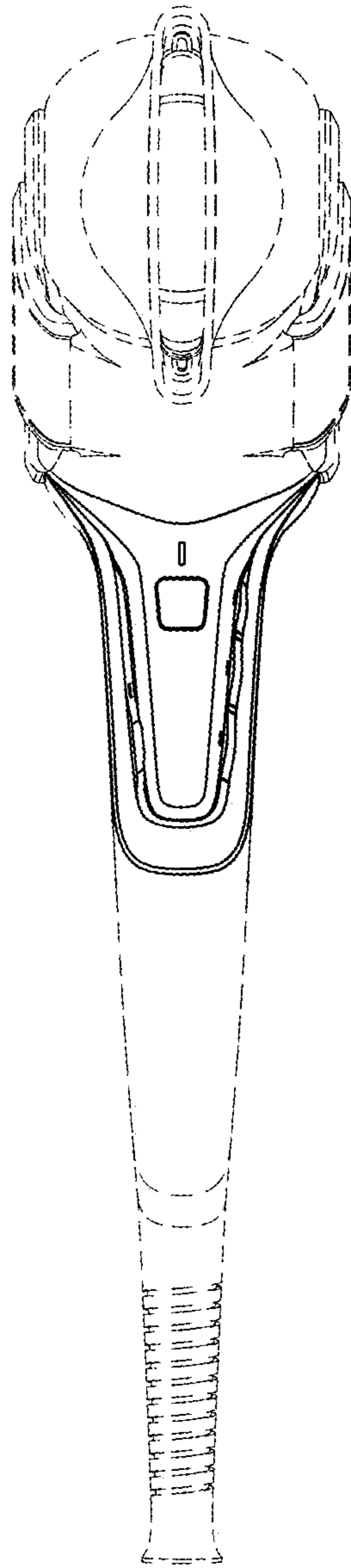


FIG. 2

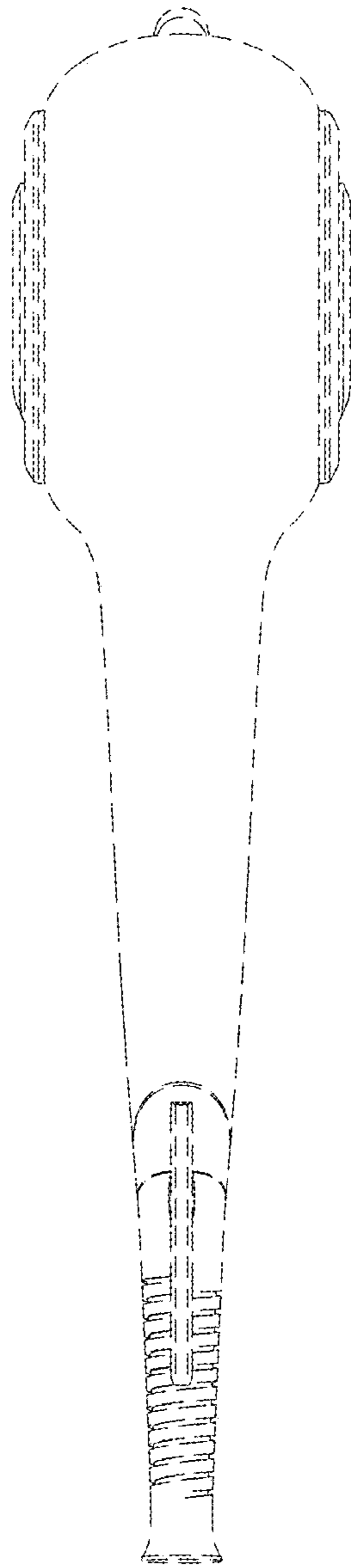


FIG. 3

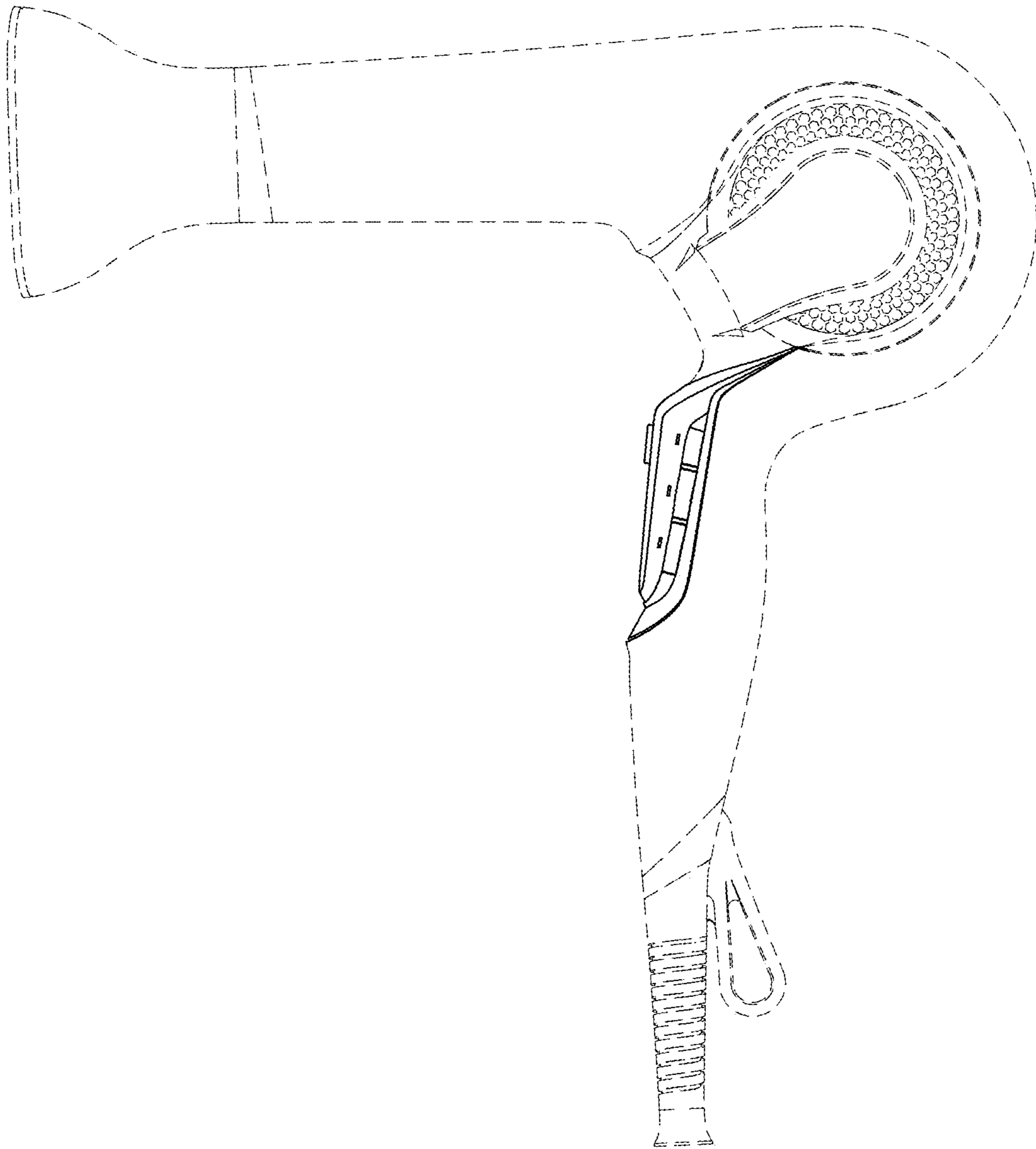


FIG. 4

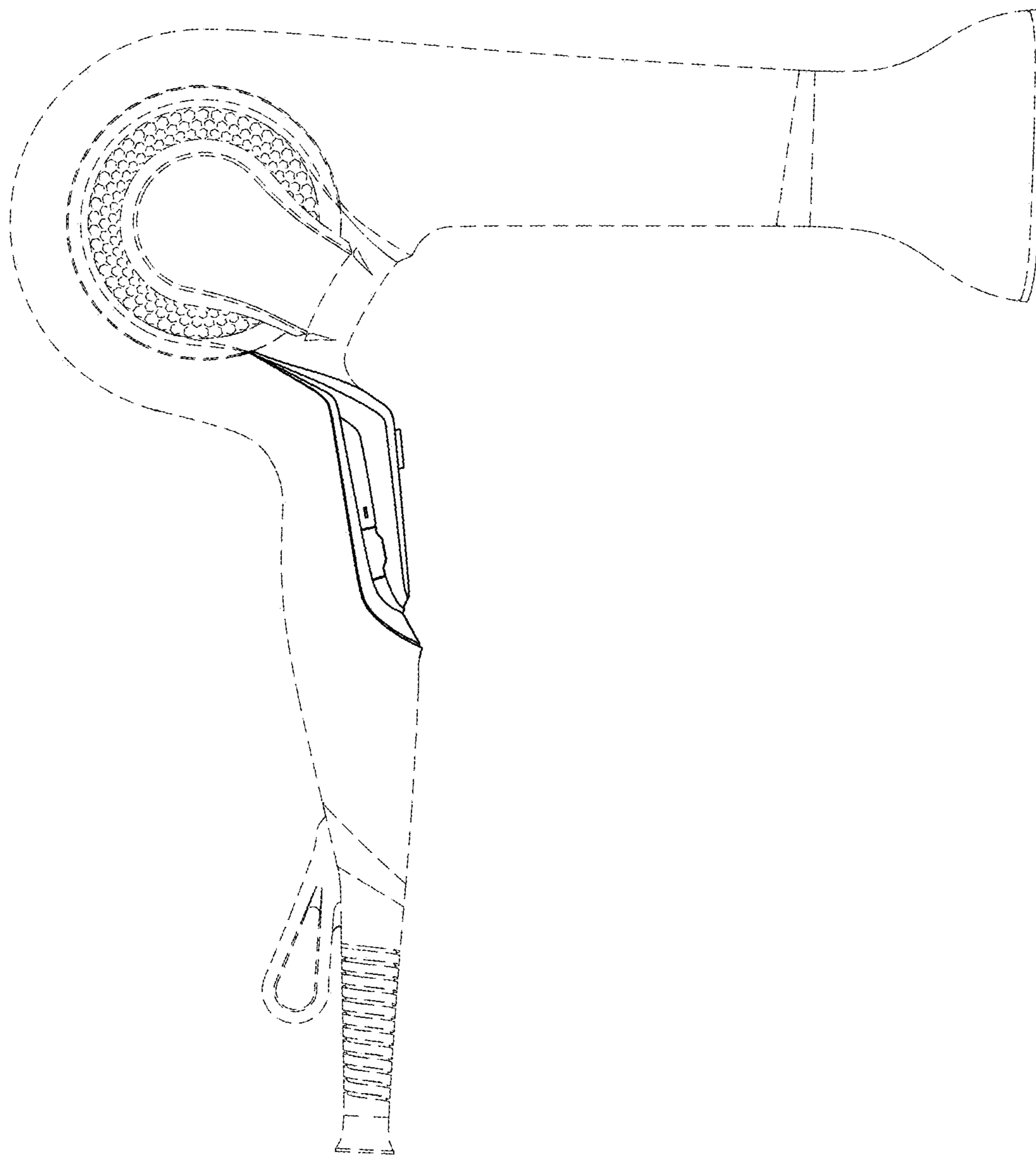


FIG. 5

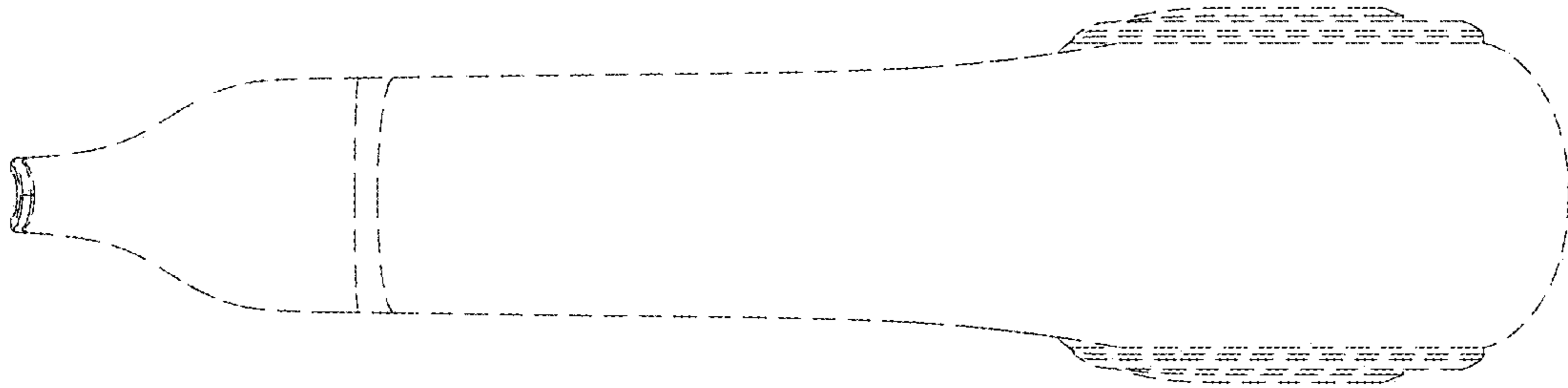


FIG. 6

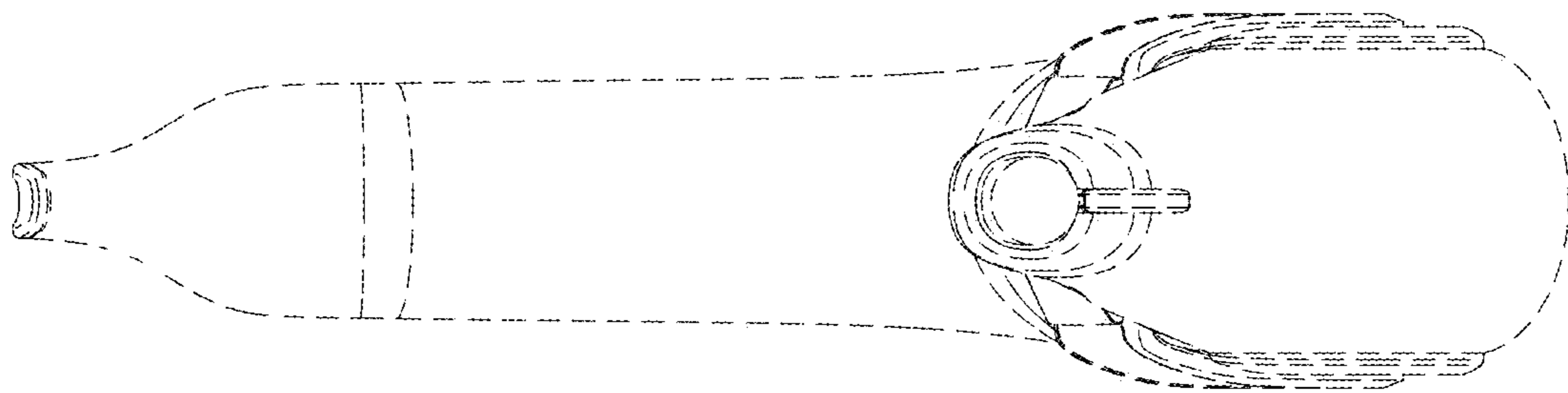


FIG. 7