



US00D914284S

(12) **United States Design Patent** (10) **Patent No.:** **US D914,284 S**  
**Brandt et al.** (45) **Date of Patent:** **\*\* Mar. 23, 2021**

(54) **SINGLE-DOSE LAUNDRY DETERGENT POD**

(71) Applicant: **The Procter & Gamble Company**,  
Cincinnati, OH (US)

(72) Inventors: **Miguel Brandt**, Tervuren (BE);  
**Donatella Scafetta**, Brussels (BE)

(73) Assignee: **The Procter & Gamble Company**,  
Cincinnati, OH (US)

(\*\*) Term: **15 Years**

(21) Appl. No.: **29/646,138**

(22) Filed: **May 2, 2018**

(30) **Foreign Application Priority Data**

Nov. 7, 2017 (WO) ..... 5304401

(51) **LOC (13) Cl.** ..... **28-02**

(52) **U.S. Cl.**  
USPC ..... **D28/8.1**

(58) **Field of Classification Search**  
USPC ..... D28/8.1-8.2; D1/100, 106, 120, 121,  
D1/122, 126, 127, 128, 130, 199;  
D23/203; D24/101-104  
CPC ... C11D 17/0047-0056; C11D 17/0065-0091;  
C11D 17/0017; C11D 17/0095  
See application file for complete search history.

(56) **References Cited**

**U.S. PATENT DOCUMENTS**

D599,056 S \* 8/2009 Schwartz ..... D28/8.1  
D639,183 S 6/2011 Nixon  
D640,934 S 7/2011 Nixon  
D643,574 S \* 8/2011 Heidel ..... D28/8.1  
D655,676 S 3/2012 Au  
D657,495 S 4/2012 Davis  
D662,656 S 6/2012 Nixon  
D662,658 S \* 6/2012 Nixon ..... D28/8.1

D665,530 S \* 8/2012 Gaertner ..... D28/8.1  
D679,863 S \* 4/2013 Sunder ..... D28/8.1  
D691,901 S 10/2013 Epstein  
D733,962 S \* 7/2015 Sunder ..... D28/8.1  
D774,249 S \* 12/2016 McLenithan ..... D28/8.1  
9,725,685 B2 \* 8/2017 Brandt-Sanz ..... B65D 75/322  
D809,202 S \* 6/2018 Reda ..... D28/8.1  
D819,886 S \* 6/2018 Brewer ..... D28/8.1  
D821,029 S \* 6/2018 Crivolio ..... D28/8.1  
D821,645 S \* 6/2018 Nelemans ..... D28/8.1  
D877,215 S \* 3/2020 Brandt Sanz ..... D15/136  
D885,930 S \* 6/2020 Witzke ..... D9/705

(Continued)

**FOREIGN PATENT DOCUMENTS**

DE DM076558 8/2011  
DE DM083884 5/2014

(Continued)

**OTHER PUBLICATIONS**

U.S. Appl. No. 29/646,145, filed May 2, 2018, Miguel Brandt.

*Primary Examiner* — Jennifer Rivard

(74) *Attorney, Agent, or Firm* — Gregory S.  
Darley-Emerson

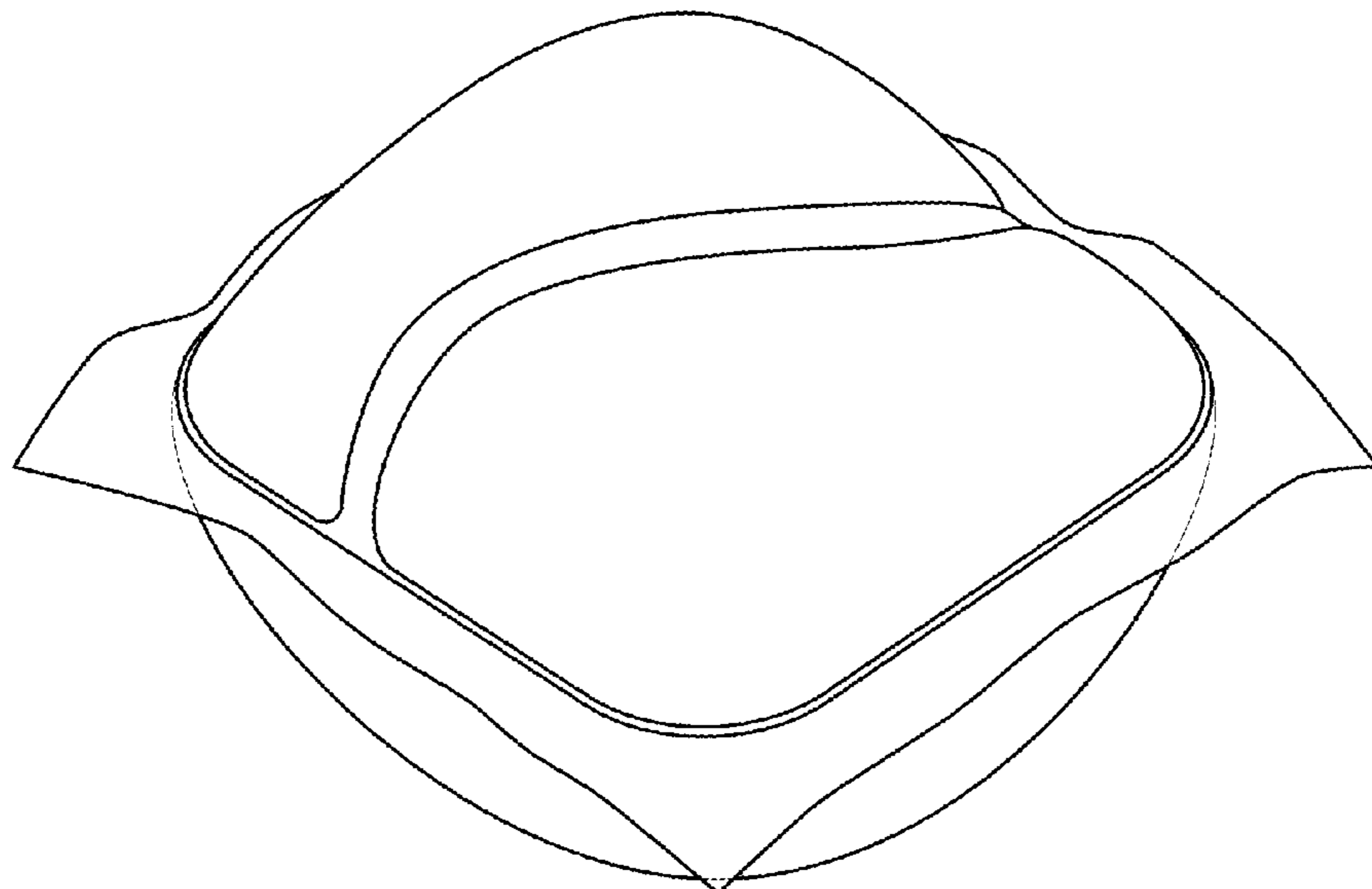
(57) **CLAIM**

The ornamental design for a single-dose laundry detergent pod, as shown and described.

**DESCRIPTION**

FIG. 1 is a perspective view of a single-dose laundry detergent pod;  
FIG. 2 is a front view thereof;  
FIG. 3 is a rear view thereof;  
FIG. 4 is a left side view thereof;  
FIG. 5 is a right side view thereof;  
FIG. 6 is a top plan view thereof; and,  
FIG. 7 is a bottom view thereof.

**1 Claim, 7 Drawing Sheets**



(56)

**References Cited**

U.S. PATENT DOCUMENTS

2017/0349863 A1\* 12/2017 Brooker ..... C11D 17/043  
2018/0282673 A1\* 10/2018 Meier ..... B65D 65/46  
2020/0131457 A1\* 4/2020 Depoot ..... C11D 17/045

FOREIGN PATENT DOCUMENTS

DE	DM083889	6/2014
DE	DM089655	3/2016
DE	DM099064	7/2017
DE	DM098568	11/2017
DE	DM097923	3/2018
ES	001382477-000	9/2011
ES	1378921_0001	7/2013
ES	1378921_0002	7/2013

\* cited by examiner

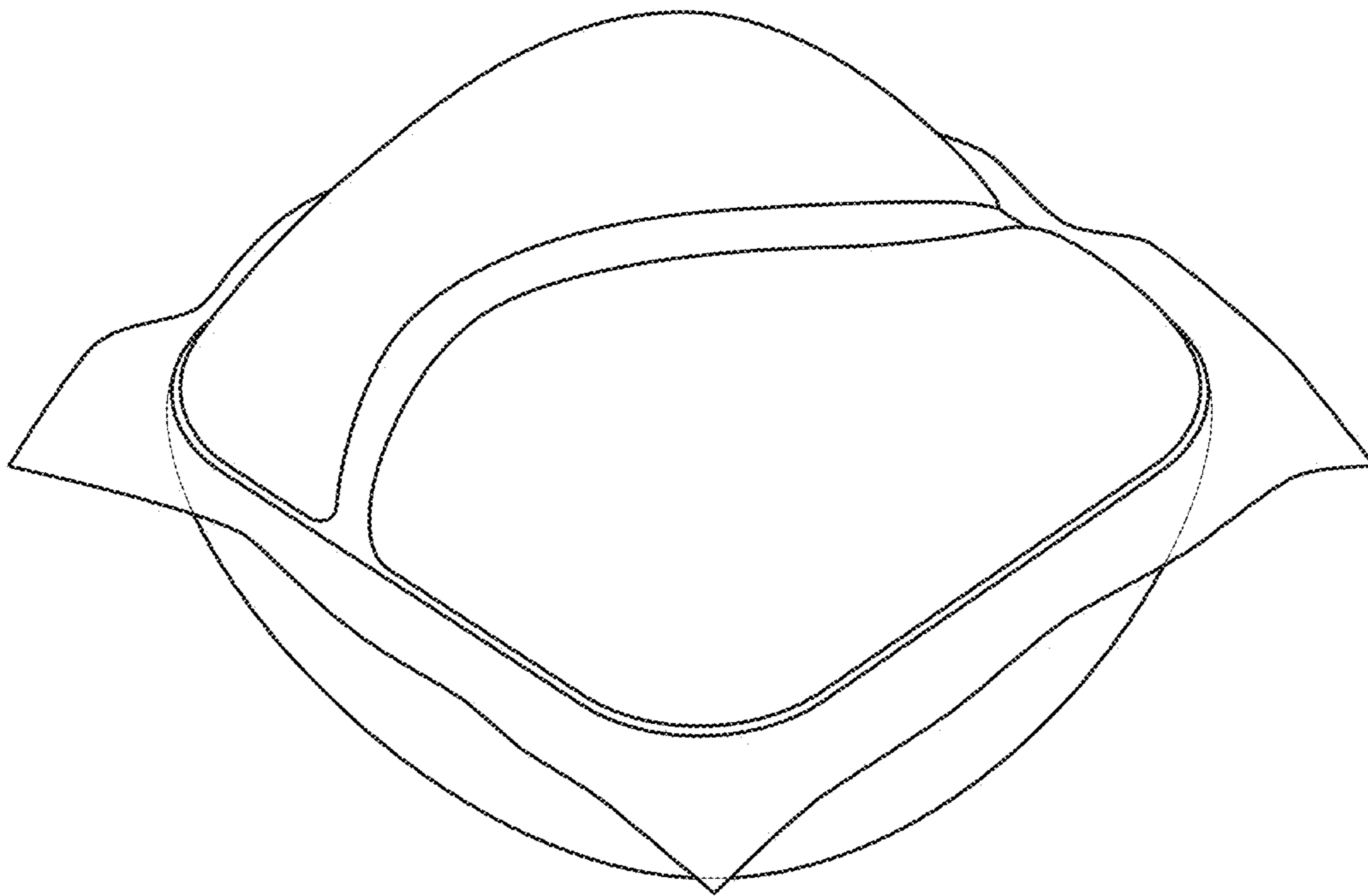


Fig. 1

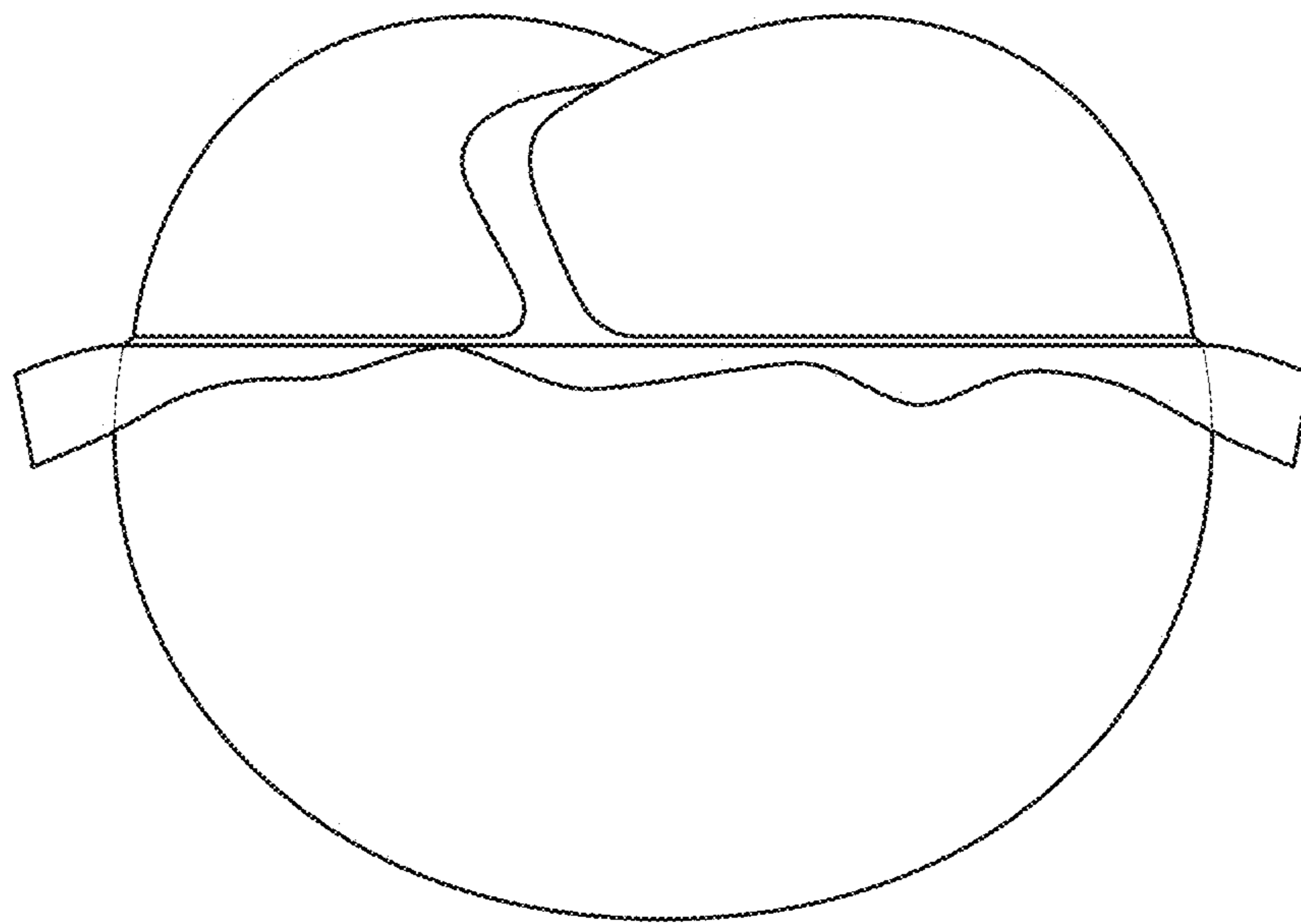


Fig. 2

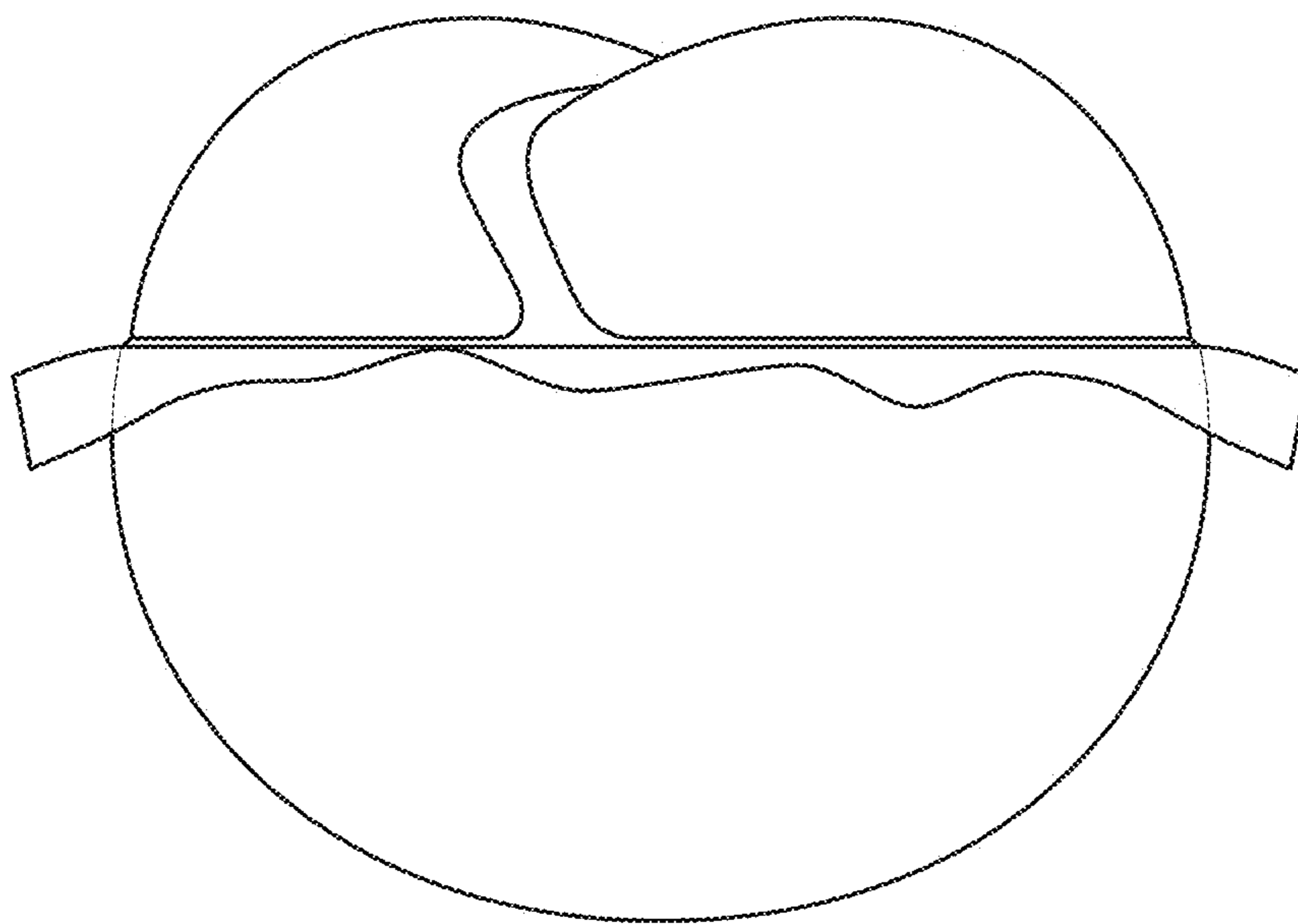


Fig. 3

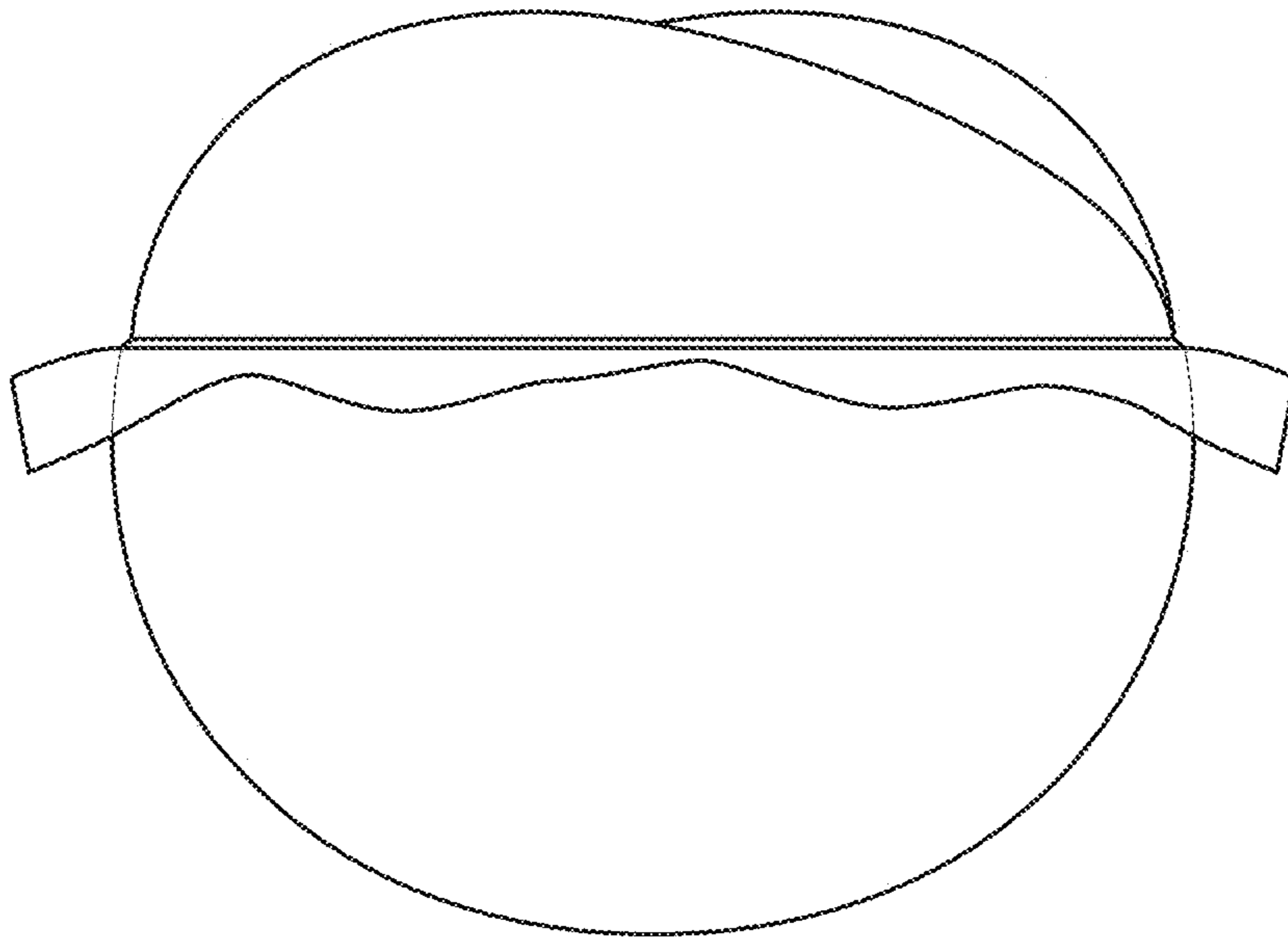


Fig. 4

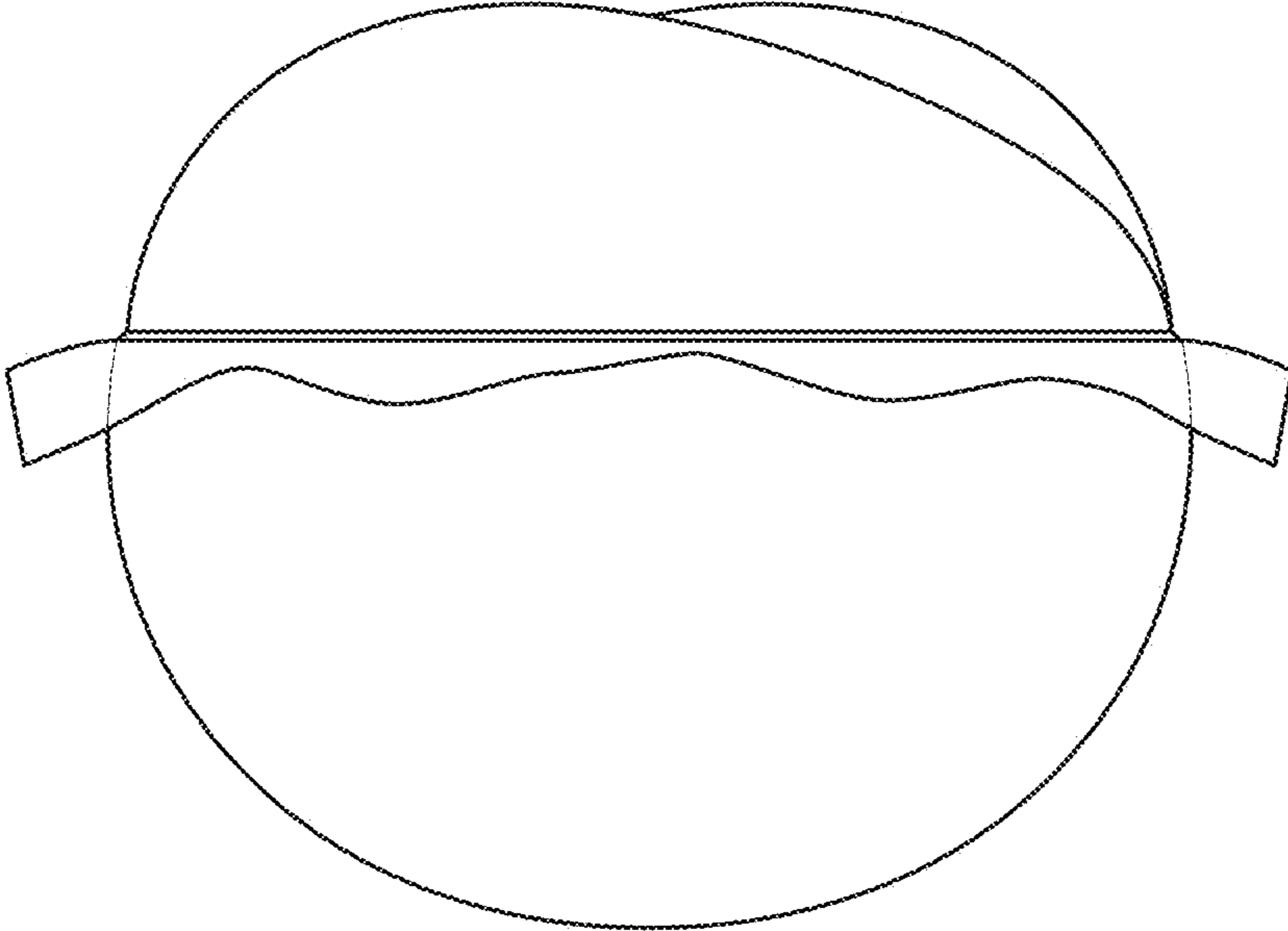


Fig. 5

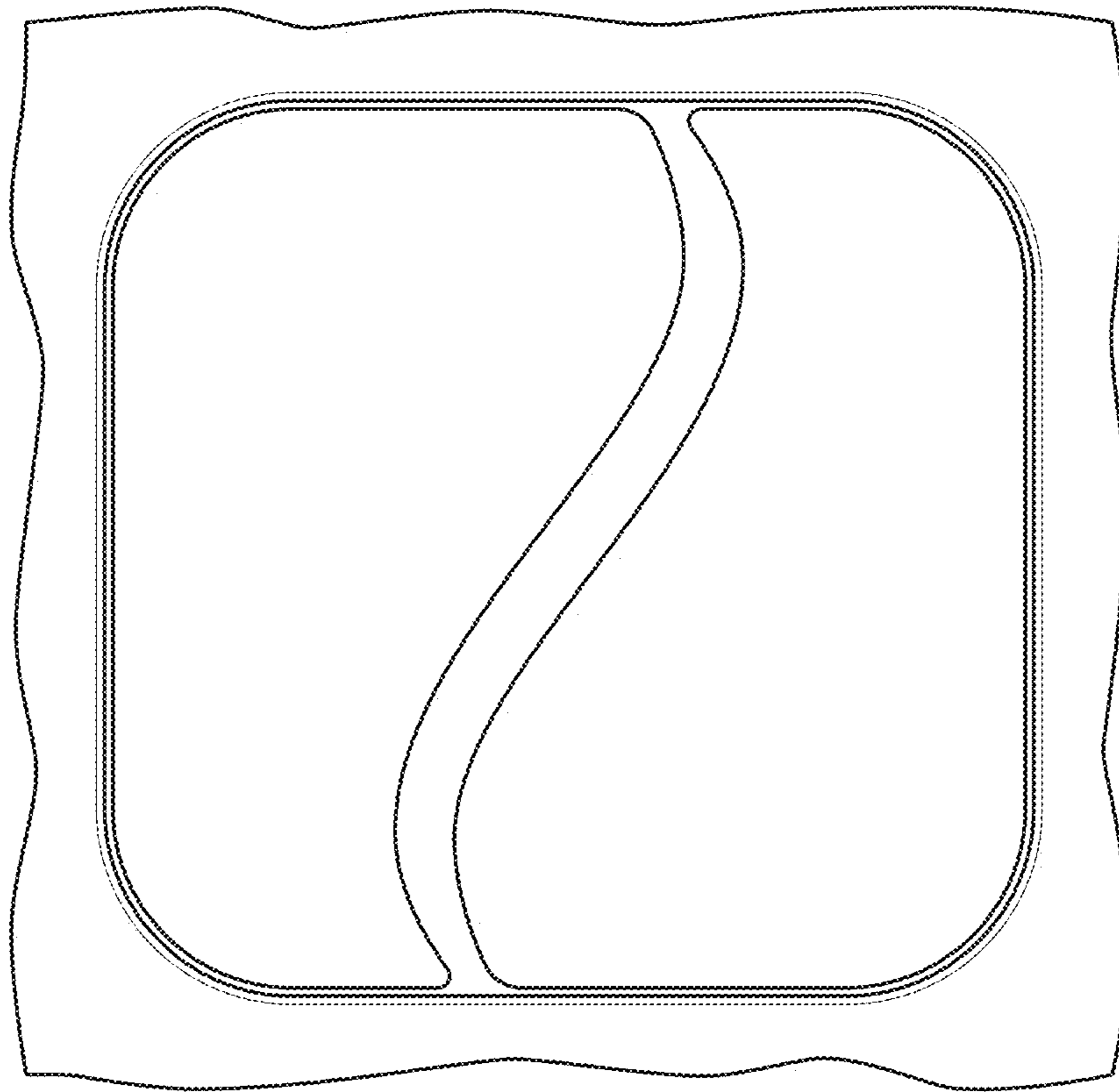


Fig. 6



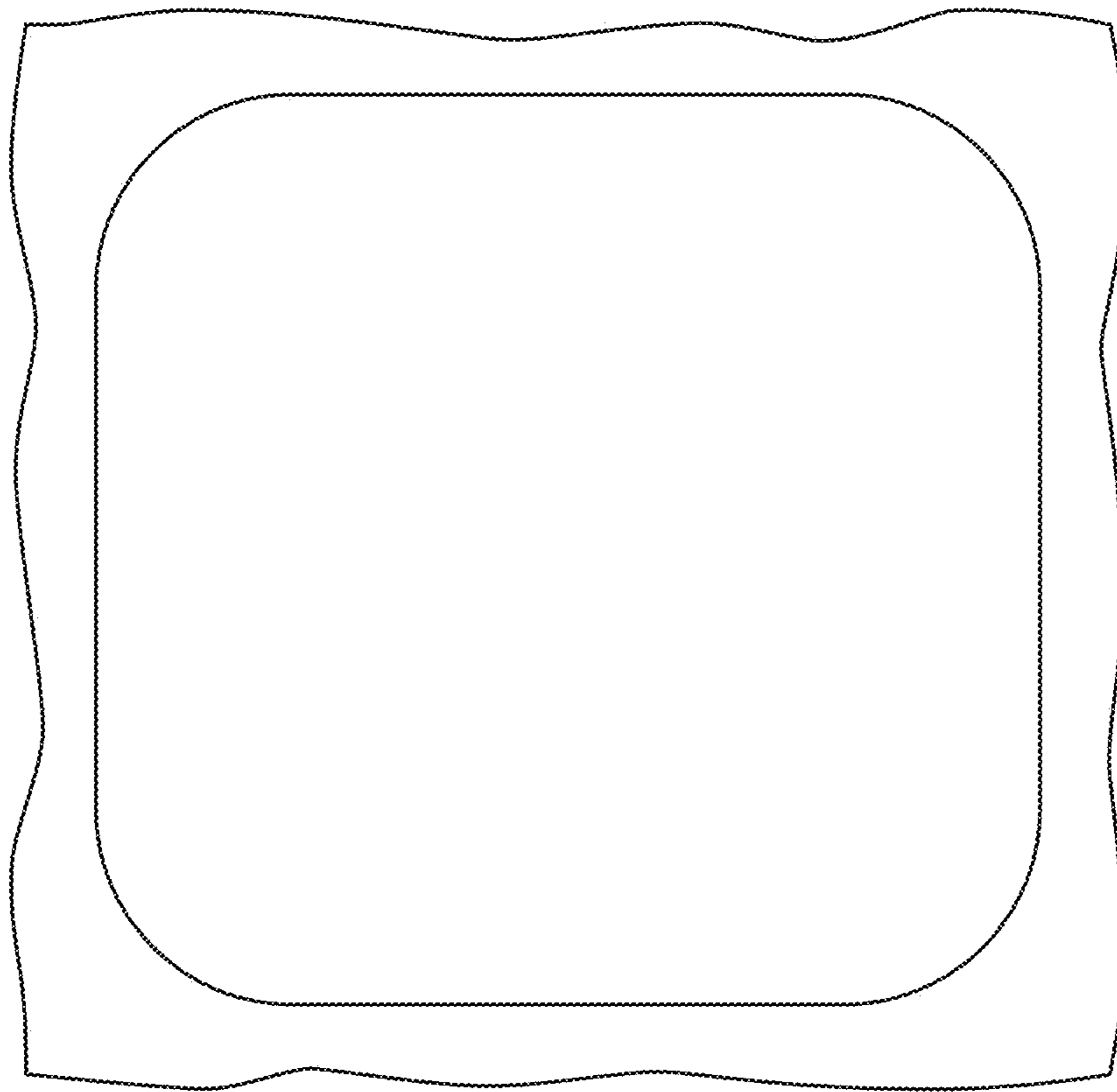


Fig. 7