



US00D914282S

(12) **United States Design Patent**
Lee

(10) **Patent No.:** **US D914,282 S**
(45) **Date of Patent:** **** Mar. 23, 2021**

(54) **VAPORIZER CARTRIDGE REMOVAL TOOL**

(71) Applicant: **Vincent Lee**, Lakewood, CA (US)

(72) Inventor: **Vincent Lee**, Lakewood, CA (US)

(**) Term: **15 Years**

(21) Appl. No.: **29/713,003**

(22) Filed: **Nov. 13, 2019**

(51) **LOC (13) Cl.** **27-99**

(52) **U.S. Cl.**
USPC **D27/194**; D8/14

(58) **Field of Classification Search**
USPC D8/14, 16, 17, 354, 366, 371; D24/133;
D27/197; D13/133, 154, 173
CPC B25B 27/14; B25B 27/00; B25B 27/02;
B25B 27/04; A24F 9/00; A24F 9/04
See application file for complete search history.

(56) **References Cited**

U.S. PATENT DOCUMENTS

D513,171 S * 12/2005 Richardson D25/133
D611,887 S * 3/2010 Peschmann D12/223
D614,583 S * 4/2010 Wang D13/154

8,282,430 B2 * 10/2012 He H01B 5/00
439/862
D732,930 S * 6/2015 Harrow D8/354
D842,684 S * 3/2019 House D8/354
D843,818 S * 3/2019 House D8/366
D878,312 S * 3/2020 Ice D13/179
D894,848 S * 9/2020 Ice D13/179
D902,163 S * 11/2020 Ice D13/179

* cited by examiner

Primary Examiner — Philip S Hyder
(74) *Attorney, Agent, or Firm* — Andrew S. Dallmann

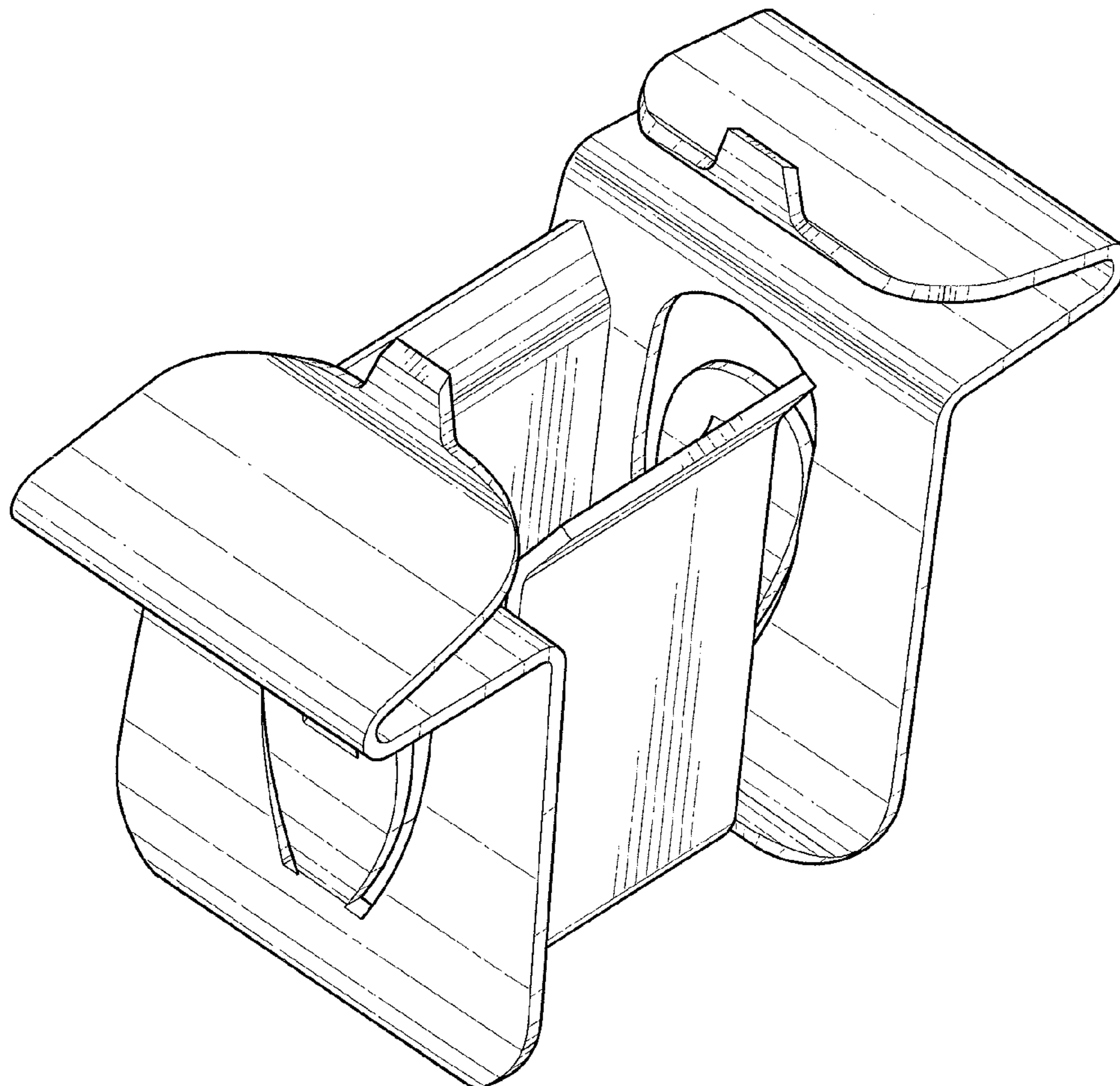
(57) **CLAIM**

The ornamental design for a vaporizer cartridge removal tool, as shown.

DESCRIPTION

FIG. 1 is an upper-left perspective view of a vaporizer cartridge removal tool;
FIG. 2 is a lower-right perspective view thereof;
FIG. 3 is a front view thereof;
FIG. 4 is a back view thereof;
FIG. 5 is a left side view thereof
FIG. 6 is a right side view thereof;
FIG. 7 is a top view thereof; and,
FIG. 8 is a bottom view thereof.

1 Claim, 5 Drawing Sheets



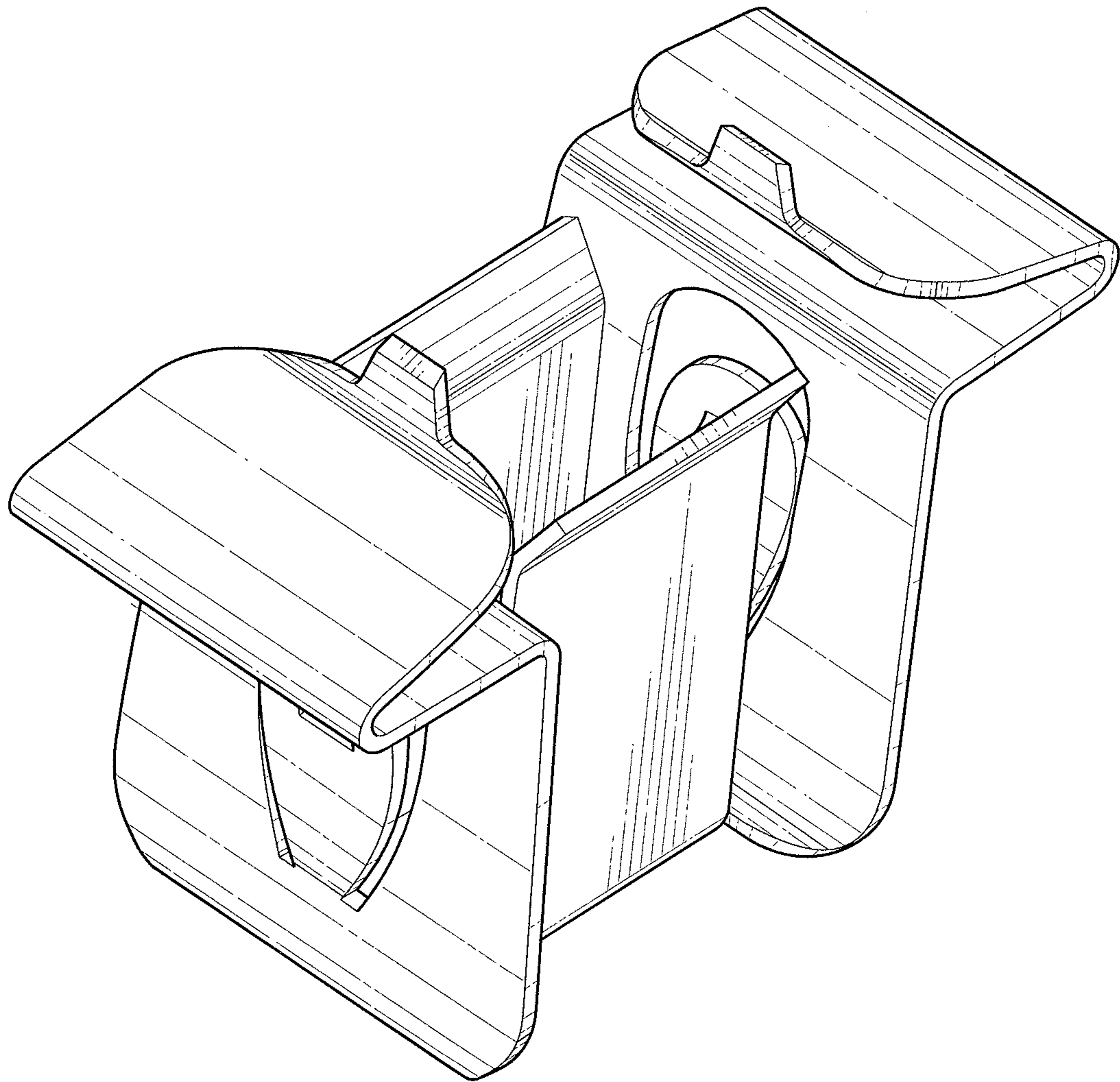


FIG. 1

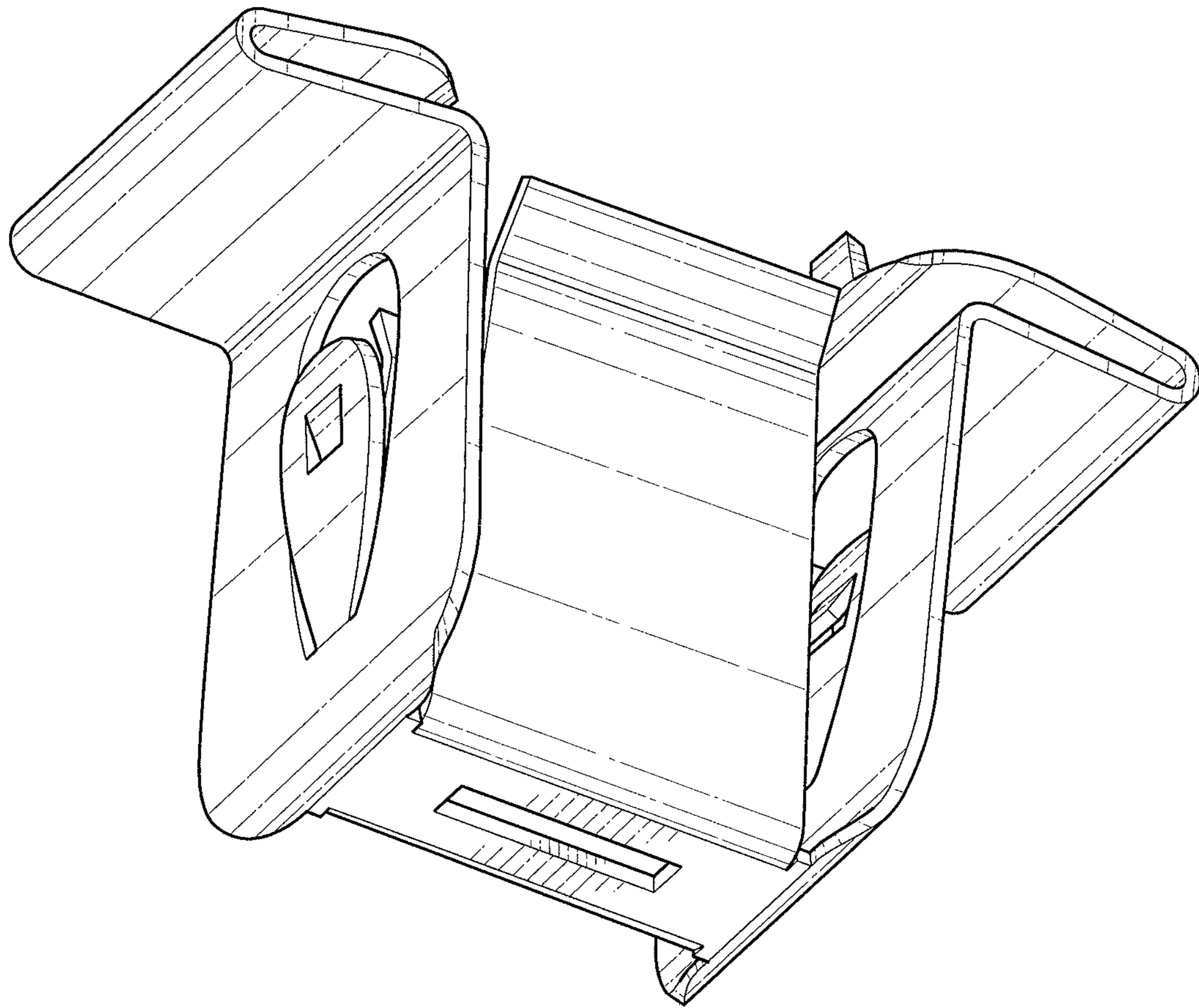


FIG. 2

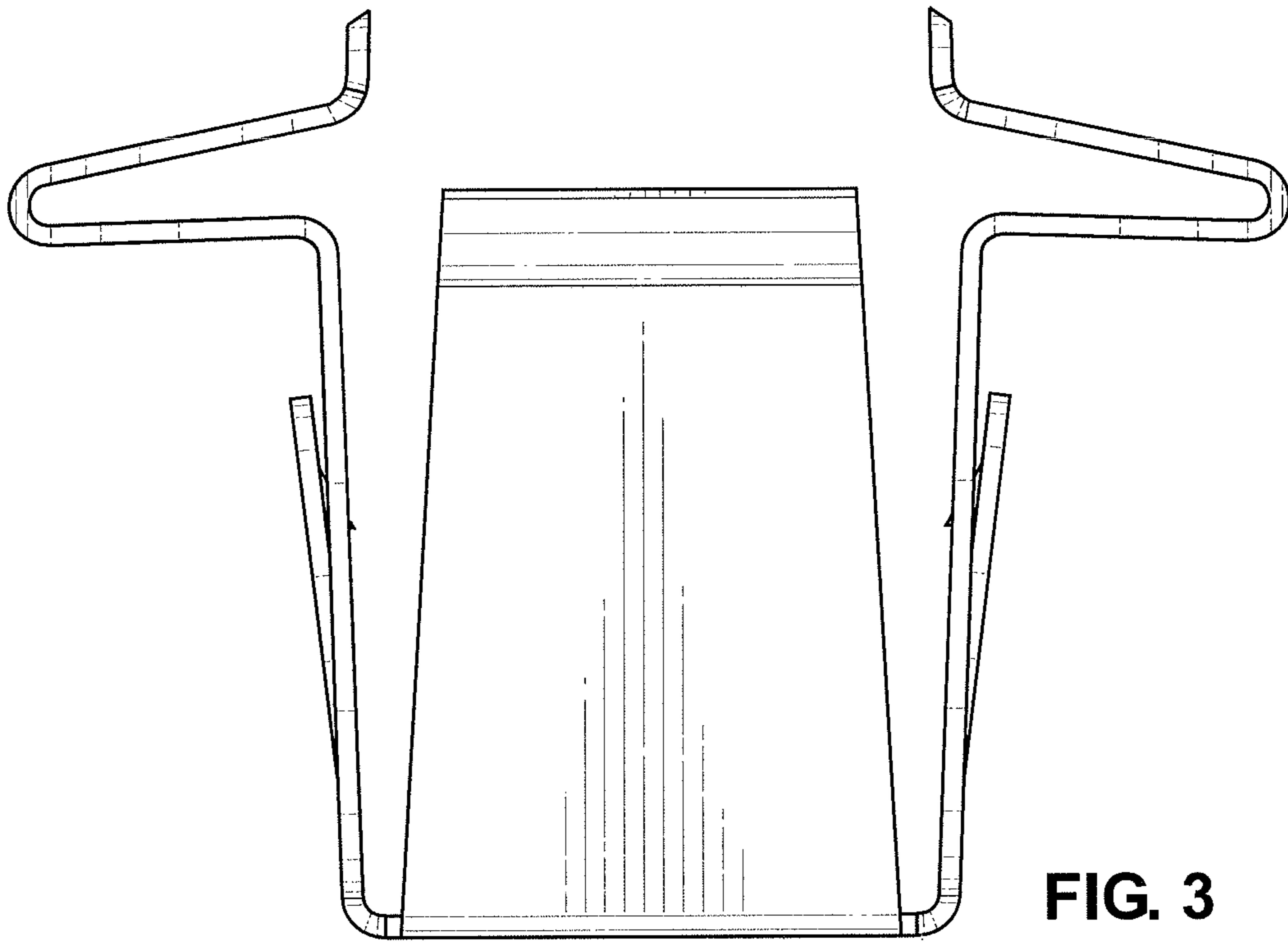


FIG. 3

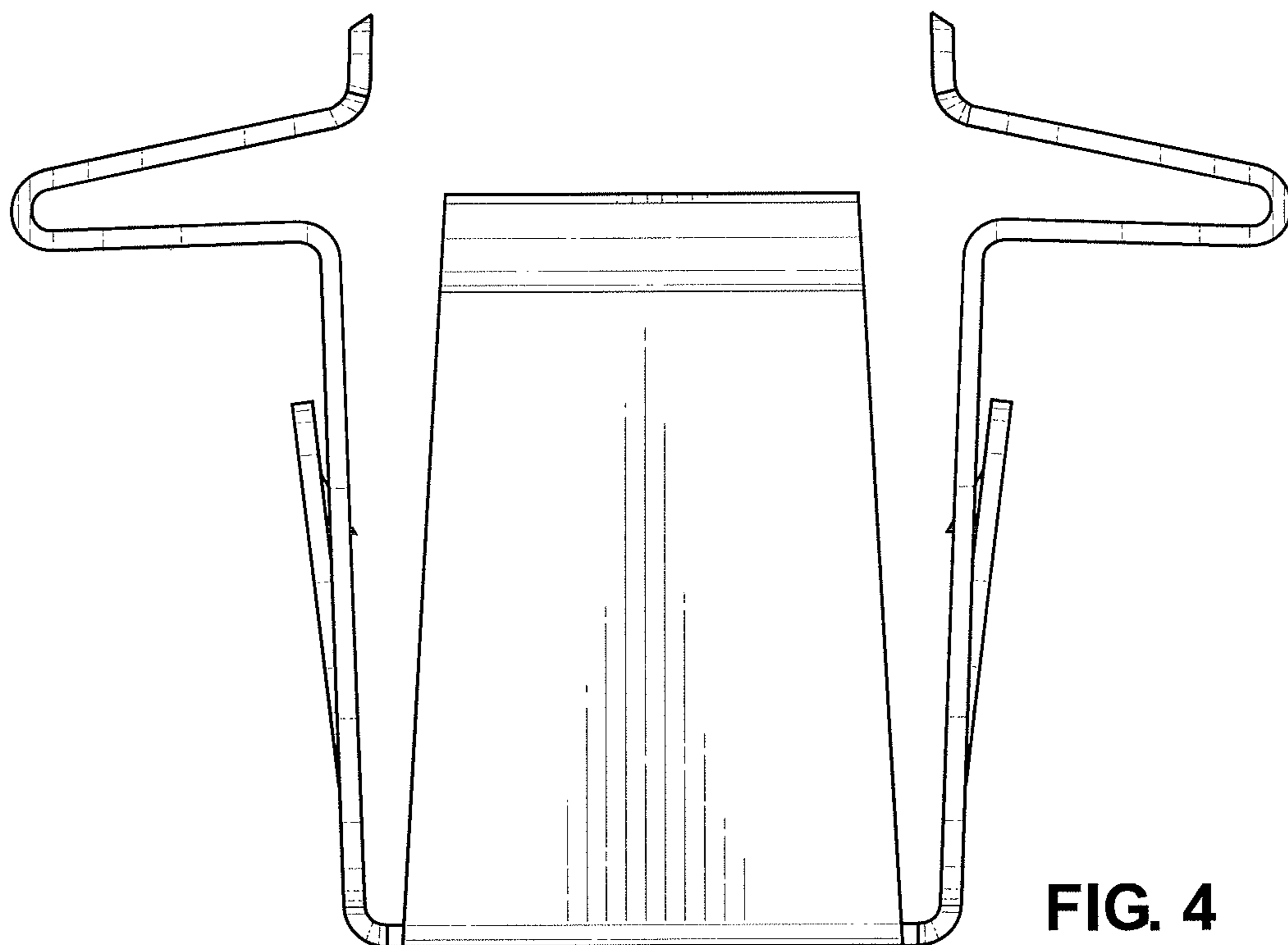


FIG. 4

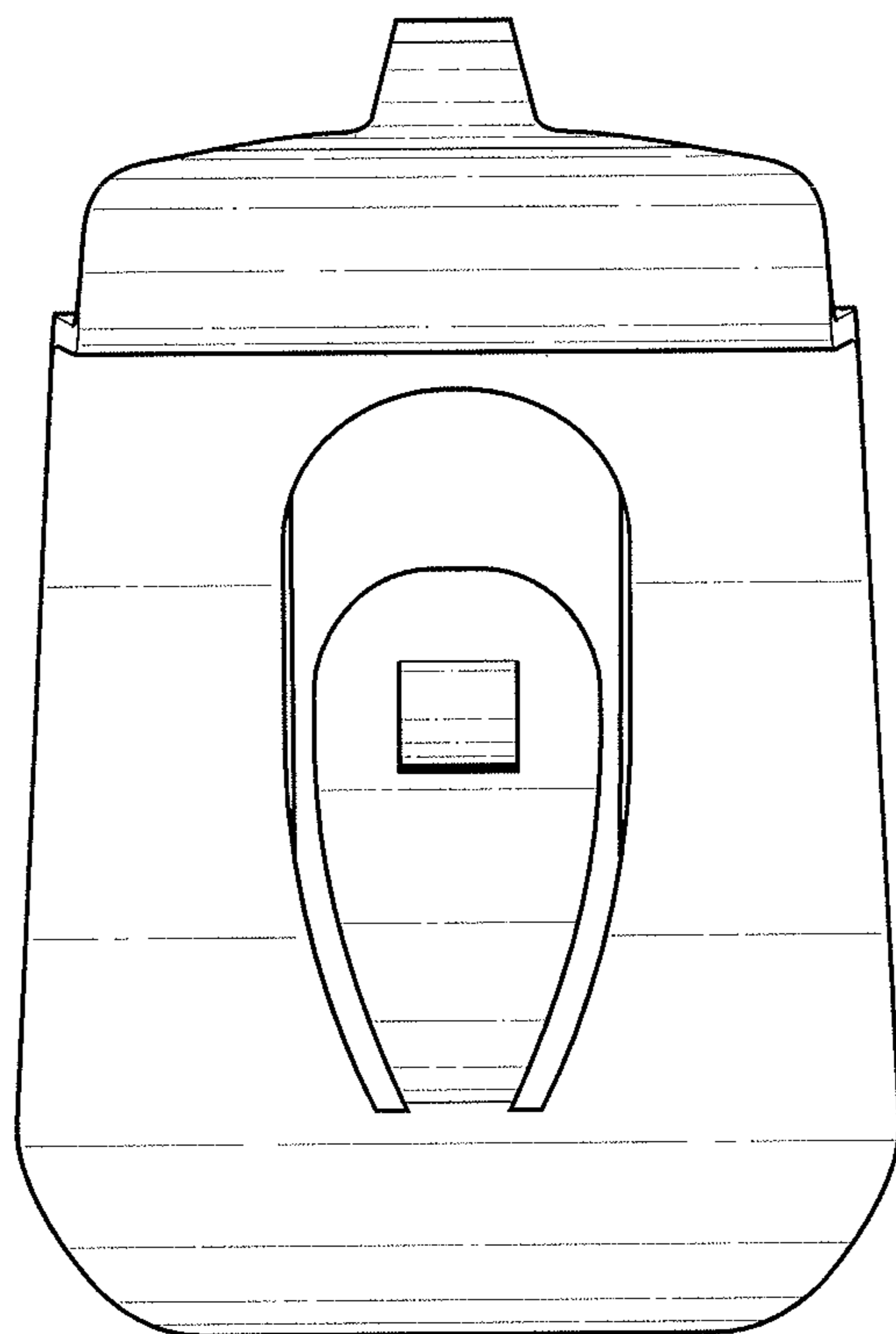


FIG. 5

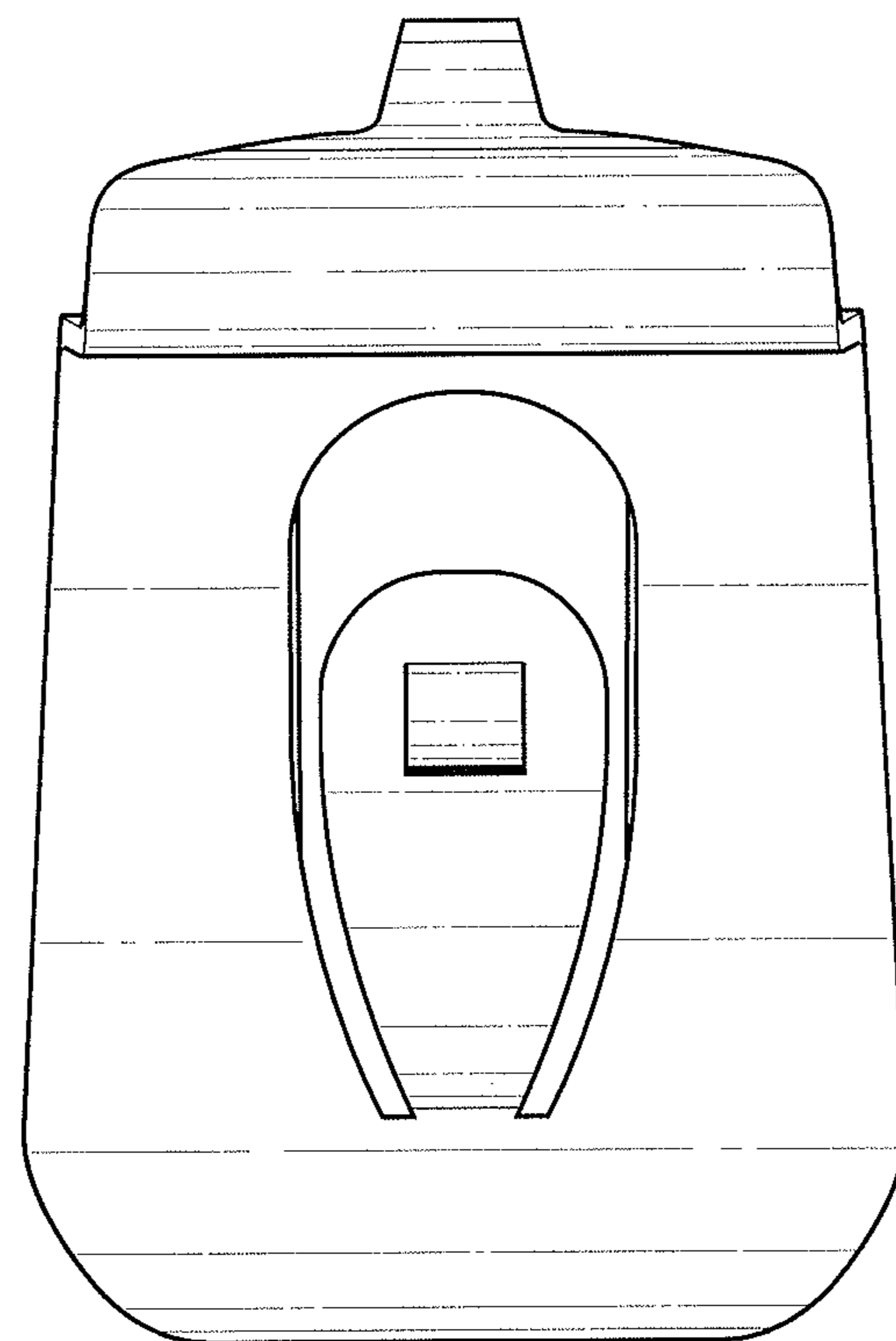


FIG. 6

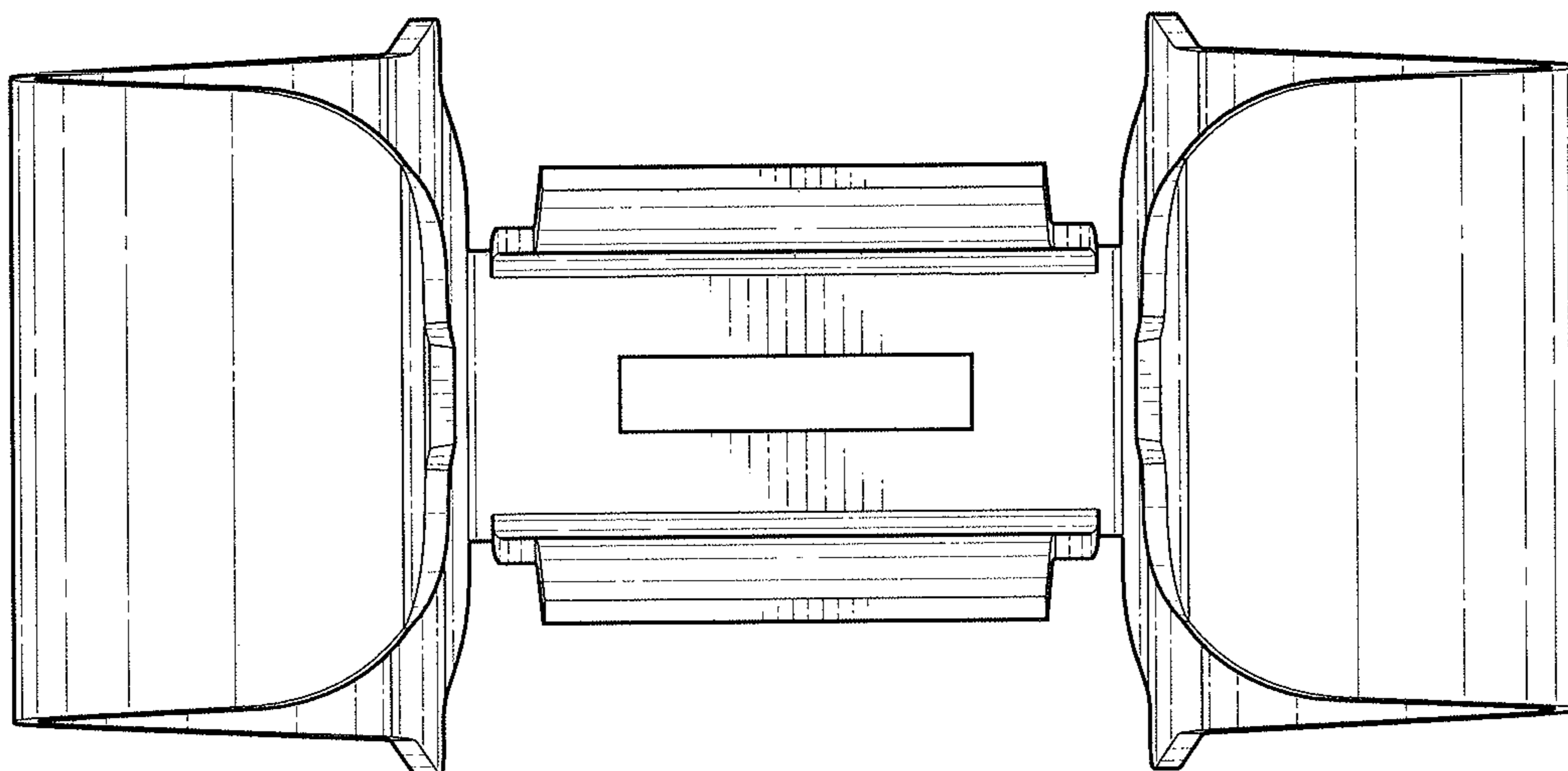


FIG. 7

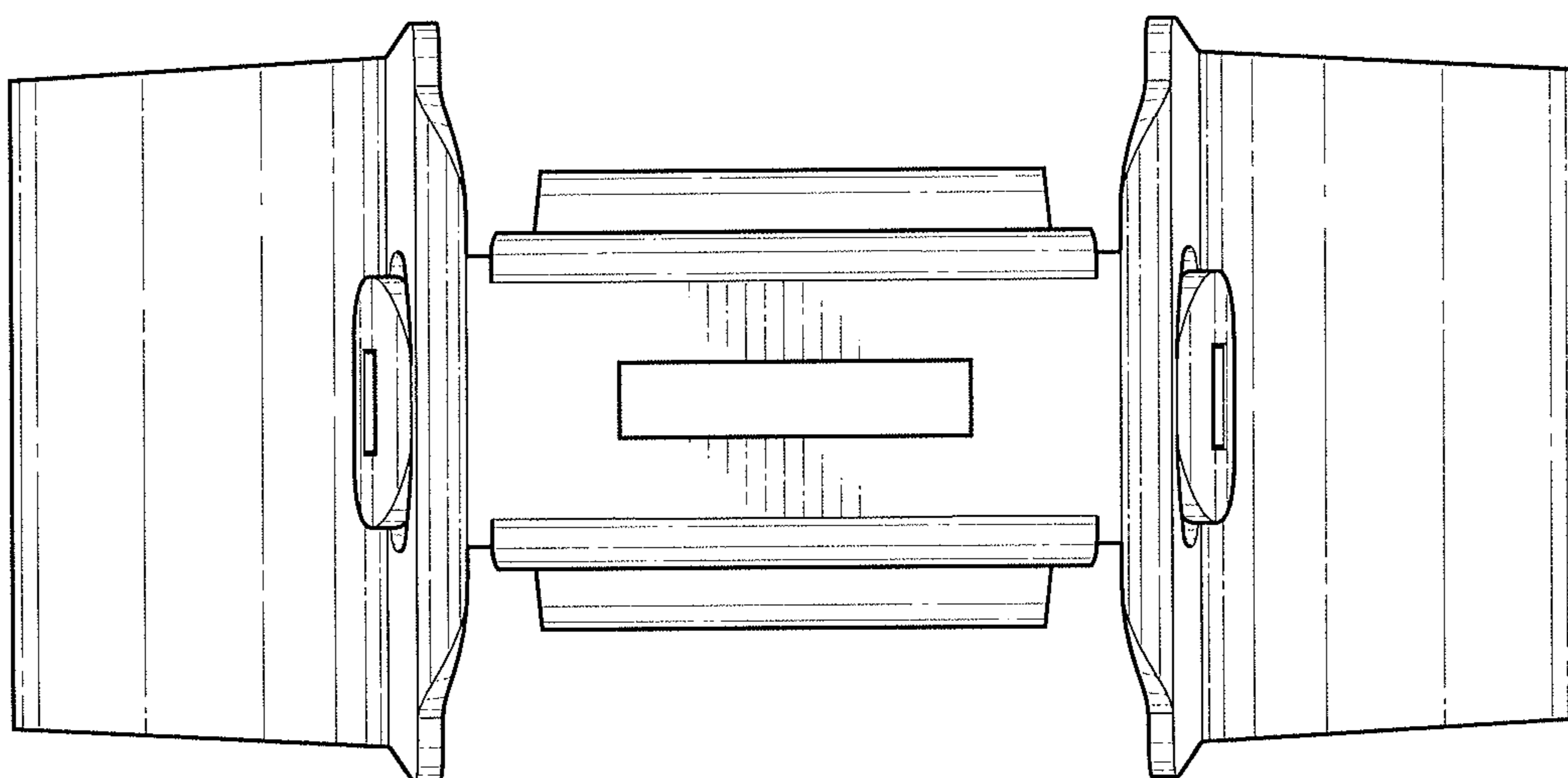


FIG. 8