



US00D914281S

(12) **United States Design Patent**
Vora et al.

(10) **Patent No.:** **US D914,281 S**
(45) **Date of Patent:** **** Mar. 23, 2021**

- (54) **CHARGER FOR A PERSONAL VAPORIZER**
- (71) Applicant: **Flair Vapor, LLC**, South Plainfield, NJ (US)
- (72) Inventors: **Niravkumar Vora**, Edison, NJ (US);
Mitul Patel, Edison, NJ (US)
- (73) Assignee: **Flair Products, LLC**, South Plainfield, NJ (US)

(**) Term: **15 Years**
(21) Appl. No.: **29/683,791**

- (22) Filed: **Mar. 15, 2019**
- (51) **LOC (13) Cl.** **27-99**
- (52) **U.S. Cl.**
USPC **D27/194**
- (58) **Field of Classification Search**
USPC D27/162, 100, 101, 163-165, 167, 172,
D27/174-176, 173, 185-194;
D13/107-109; D24/110, 100.5;
D14/435.1
CPC A61M 15/06; A24F 47/00; A24F 47/02;
A24F 47/04; A24F 47/08
See application file for complete search history.

(56) **References Cited**

U.S. PATENT DOCUMENTS

- D611,944 S * 3/2010 Kujawski D14/435.1
- D744,419 S * 12/2015 Bowen H02J 7/00
D13/108
- D816,025 S * 4/2018 Thompson D13/108
- D830,298 S * 10/2018 Bailey D13/108
- D836,831 S * 12/2018 Cividi D27/162

- D836,834 S * 12/2018 Cividi D27/194
- D848,057 S * 5/2019 Lomeli D27/167
- D854,238 S * 7/2019 Gould D27/194
- D860,519 S * 9/2019 Cividi D27/162
- D860,520 S * 9/2019 Cividi D27/162
- D866,852 S * 11/2019 Cividi D27/101
- D880,060 S * 3/2020 Chen D27/194
- D894,480 S * 8/2020 Lomeli D27/162
- D894,481 S * 8/2020 Gould D27/162
- D897,950 S * 10/2020 Bailey D13/108
- 2020/0288788 A1 * 9/2020 Vora A24F 40/40

* cited by examiner

Primary Examiner — Marissa J Cash
Assistant Examiner — Rebecca Tsehaye
(74) *Attorney, Agent, or Firm* — BakerHostetler

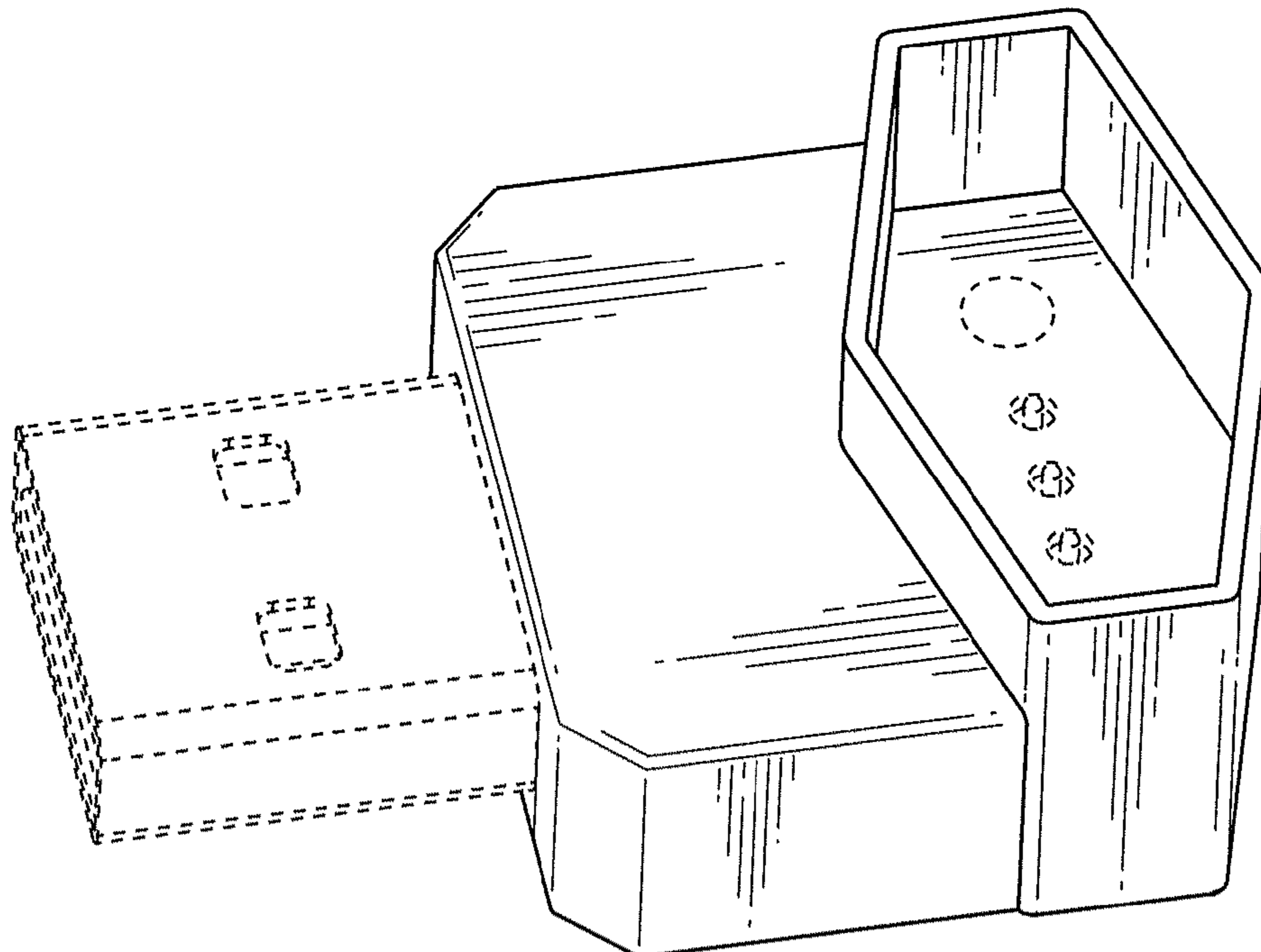
(57) **CLAIM**

The ornamental design for a charger for a personal vaporizer, as shown and described.

DESCRIPTION

FIG. 1 is a top front perspective view of a charger for a personal vaporizer, according to an example; FIG. 2 is a bottom rear perspective view thereof. FIG. 3 is a front view thereof. FIG. 4 is a rear view thereof. FIG. 5 is a left view thereof. FIG. 6 is right view thereof. FIG. 7 is a top view thereof; and, FIG. 8 is a bottom view thereof. The broken lines shown in the Figures depict portions of the charger for a personal vaporizer that form no part of the claimed design.

1 Claim, 4 Drawing Sheets



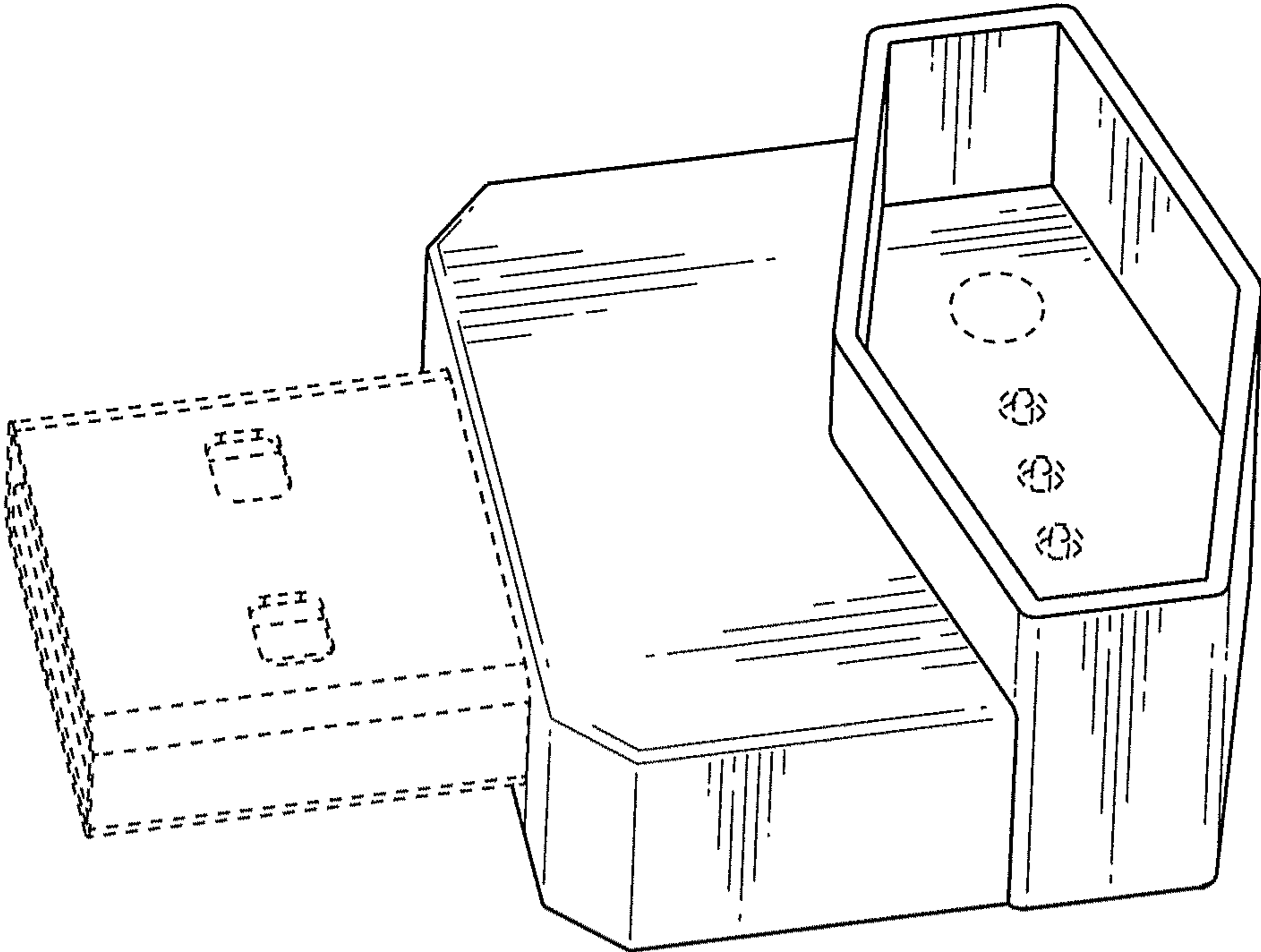


FIG. 1

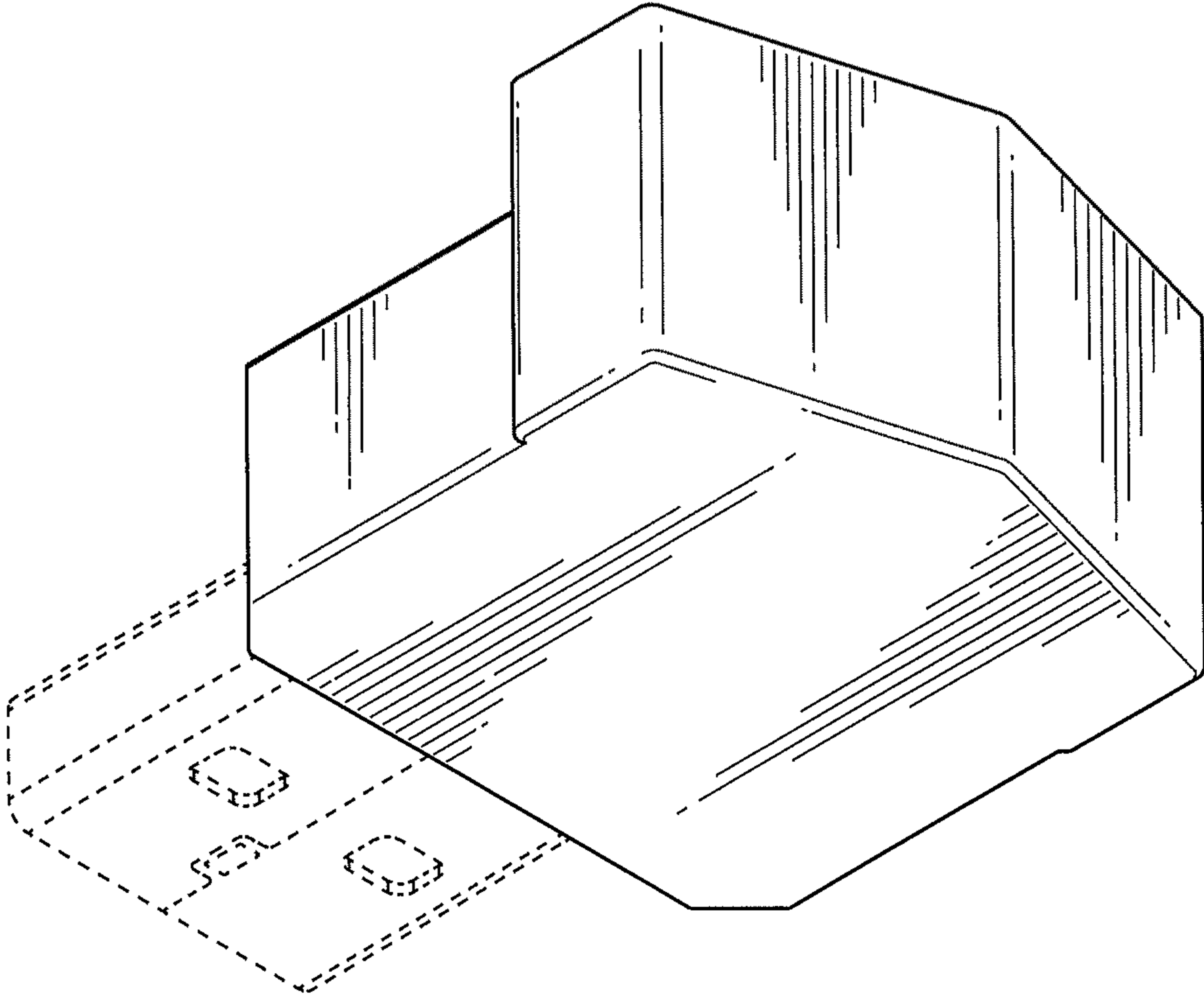


FIG. 2

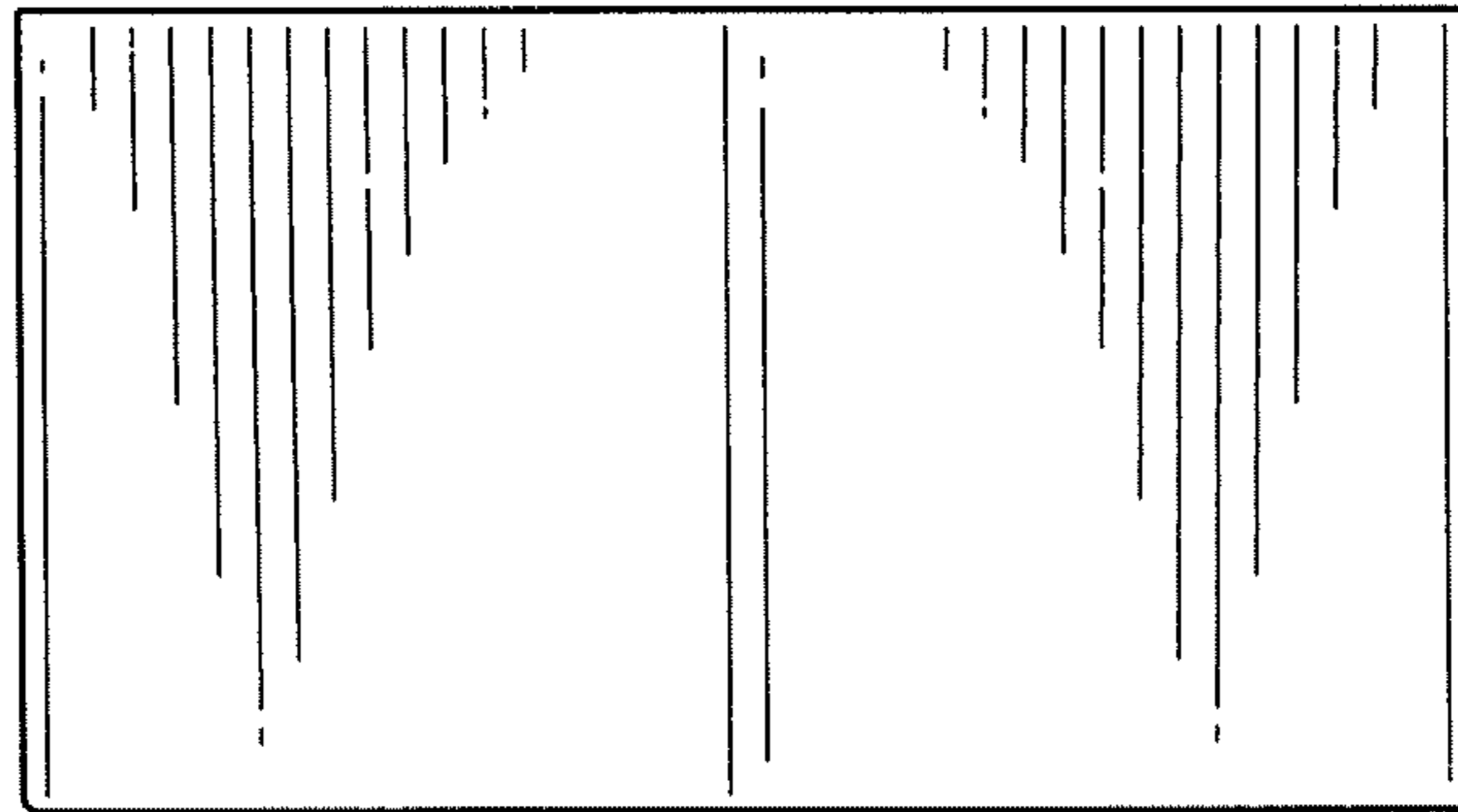


FIG. 3

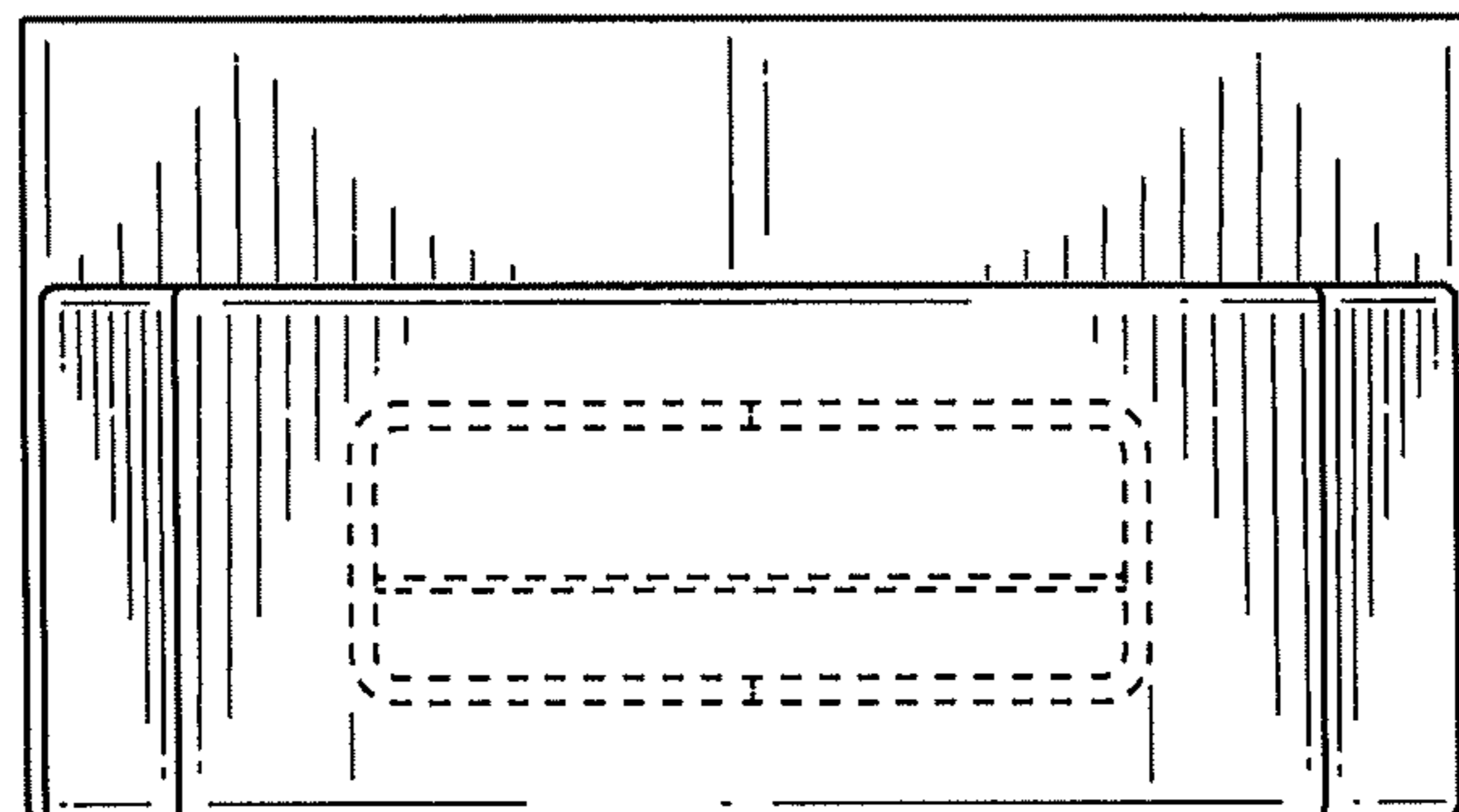


FIG. 4

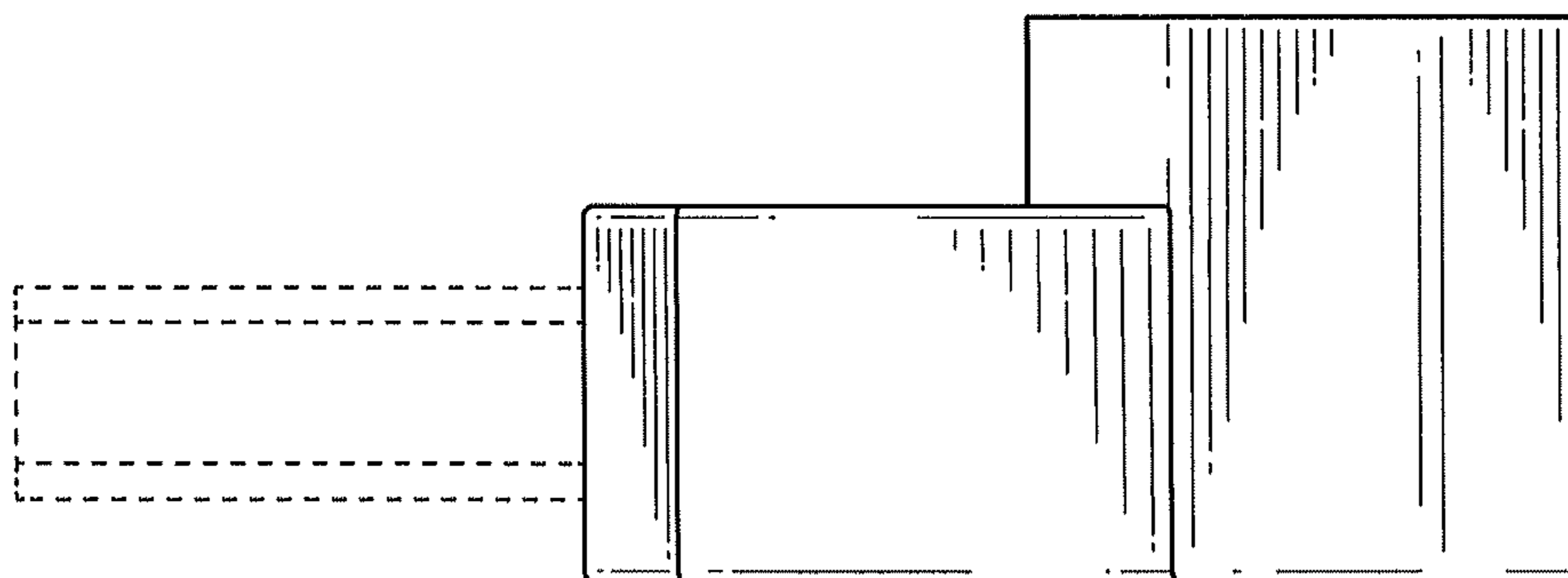


FIG. 5

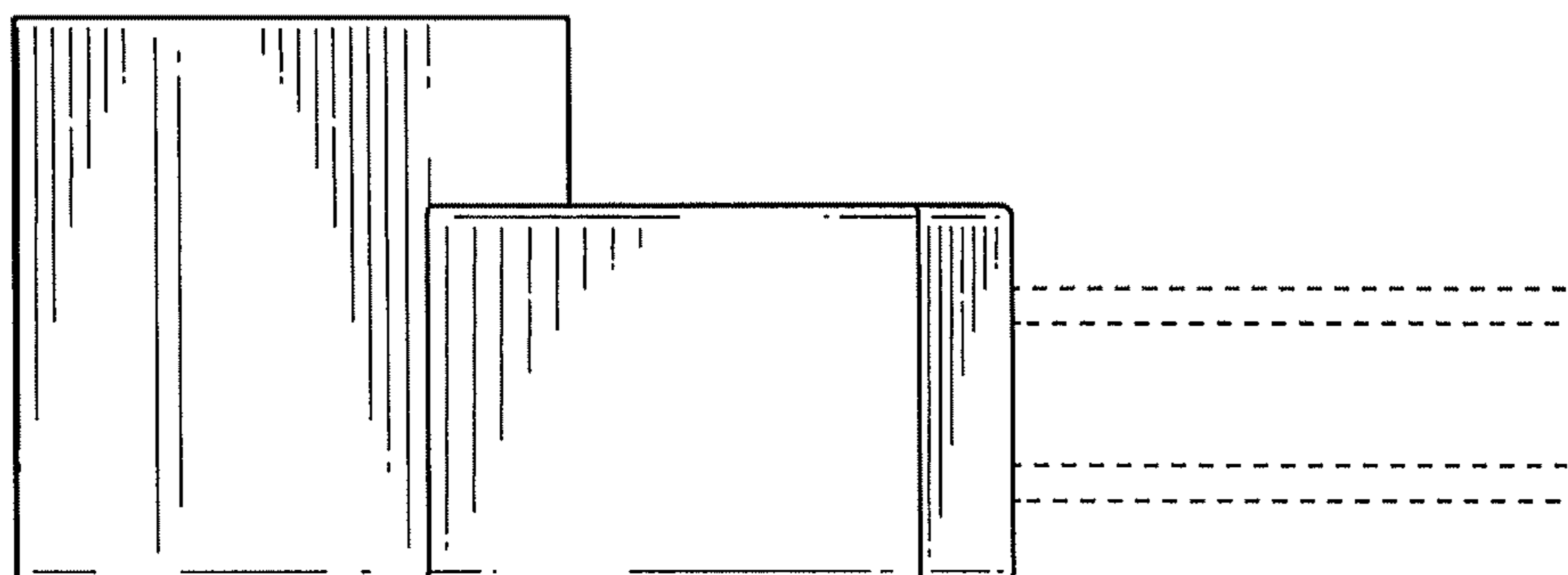


FIG. 6

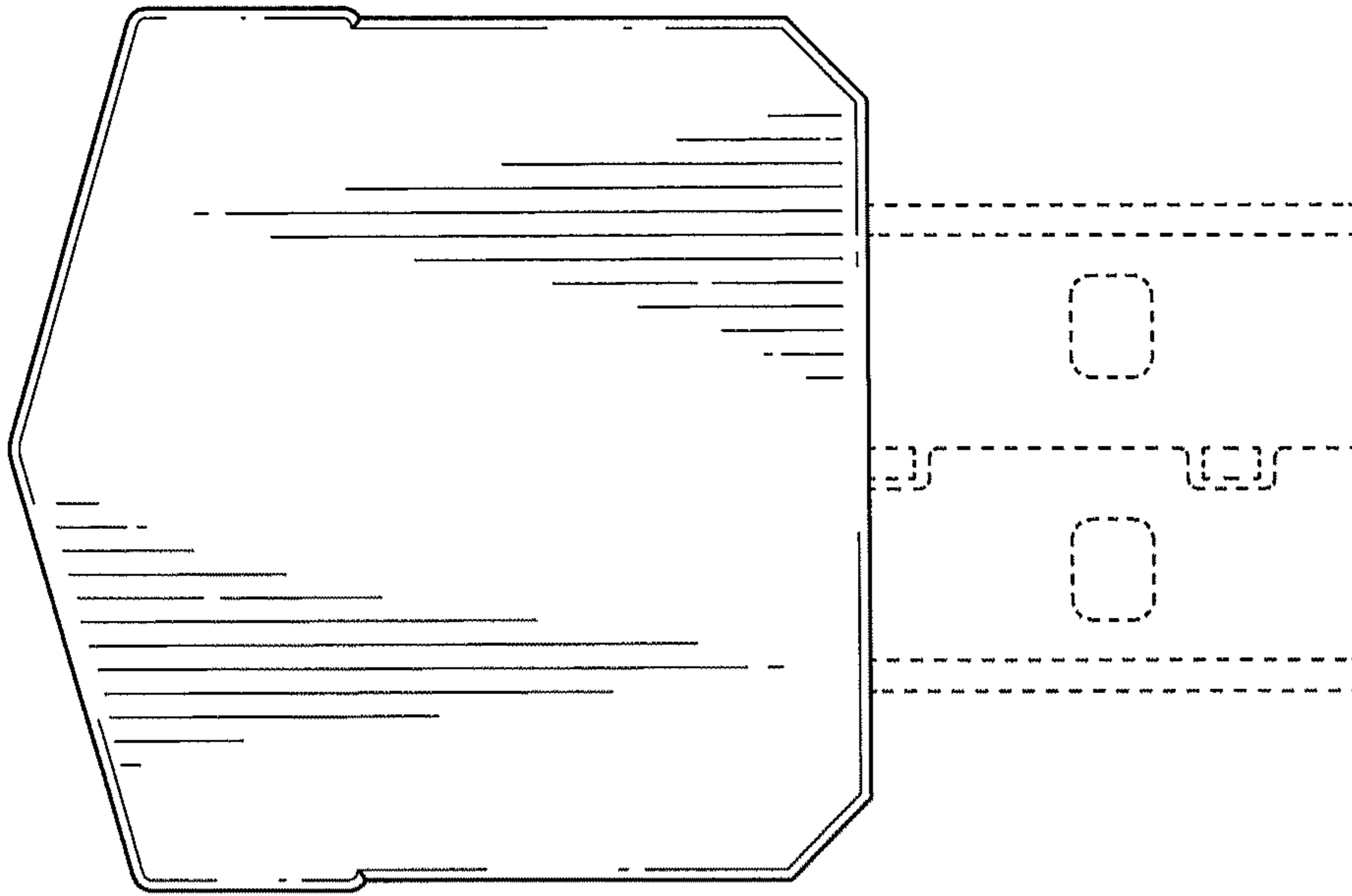


FIG. 8

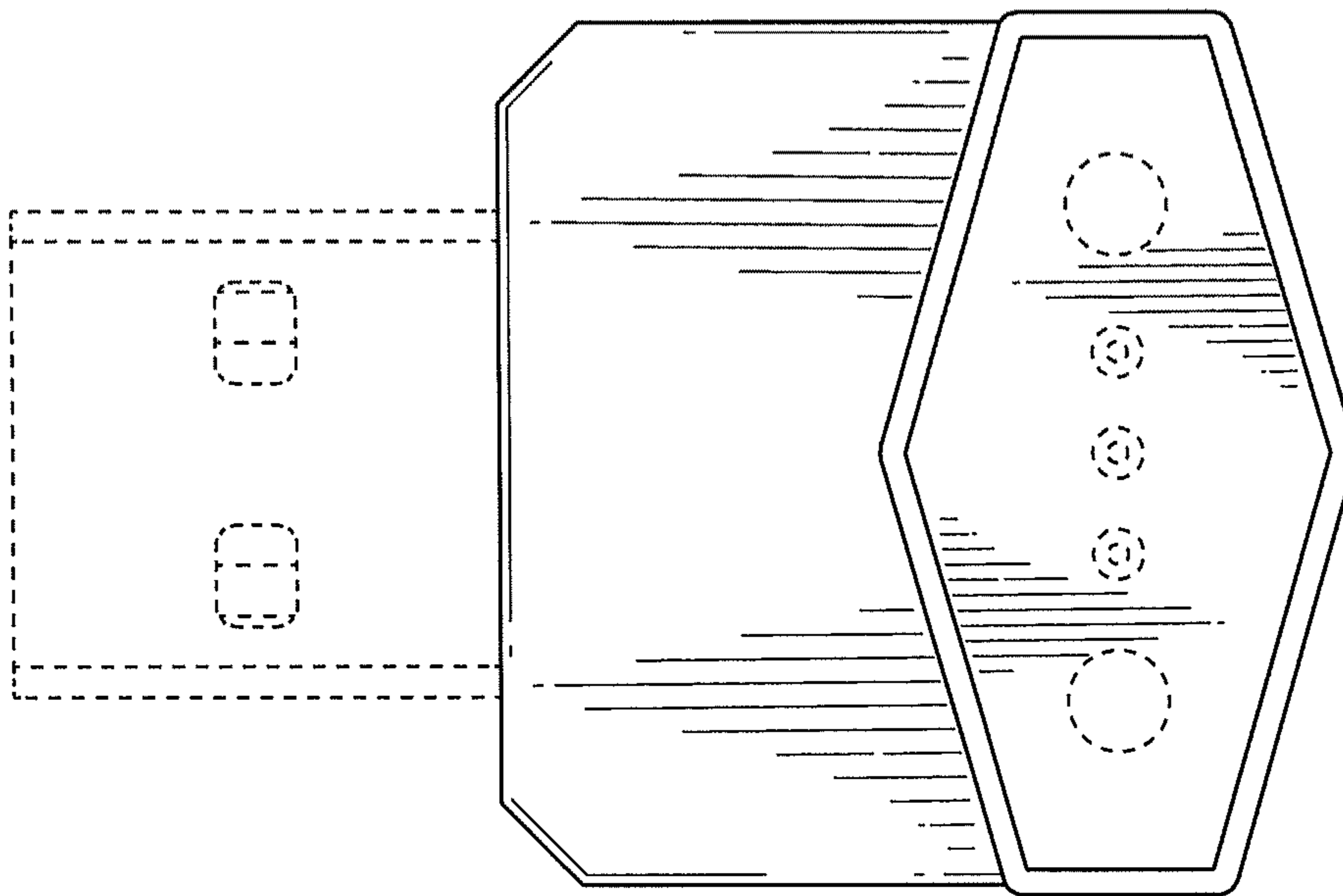


FIG. 7