



US00D914278S

(12) **United States Design Patent** (10) **Patent No.:** **US D914,278 S**  
**Luo** (45) **Date of Patent:** **\*\* Mar. 23, 2021**

(54) **ELECTRONIC CIGARETTE**  
(71) Applicant: **SHENZHEN SMOORE TECHNOLOGY LIMITED**, Shenzhen (CN)  
(72) Inventor: **Chunhua Luo**, Shenzhen (CN)  
(73) Assignee: **SHENZHEN SMOORE TECHNOLOGY LIMITED**, Shenzhen (CN)

D814,693 S \* 4/2018 Qiu ..... D27/101  
9,949,512 B2 \* 4/2018 Liu ..... A24F 47/008  
D819,880 S \* 6/2018 Qiu ..... D27/101  
D819,882 S \* 6/2018 Qiu ..... D27/101  
D821,639 S \* 6/2018 Dai ..... D27/162  
D828,621 S \* 9/2018 Qiu ..... D27/162  
D831,270 S \* 10/2018 Qiu ..... D27/162  
D835,840 S \* 12/2018 Liu ..... D27/162  
D844,232 S \* 3/2019 Qiu ..... D27/163  
D852,409 S \* 6/2019 Takehara ..... D27/101  
D854,236 S \* 7/2019 Qiu ..... D27/101  
D855,249 S \* 7/2019 Qiu ..... D27/162  
D855,250 S \* 7/2019 Qiu ..... D27/162  
D863,672 S \* 10/2019 Liu ..... D27/162

(\*\*) Term: **15 Years**

(Continued)

(21) Appl. No.: **29/696,003**

Primary Examiner — Marissa J Cash  
(74) Attorney, Agent, or Firm — JCIP Global Inc.

(22) Filed: **Jun. 25, 2019**

(30) **Foreign Application Priority Data**

Dec. 25, 2018 (CN) ..... 201830755729.9

(51) **LOC (13) Cl.** ..... **27-02**

(52) **U.S. Cl.**  
USPC ..... **D27/162**

(58) **Field of Classification Search**  
USPC ..... D27/100, 101, 162, 163–169, 172–193,  
D27/194; D23/355, 356, 359, 360  
CPC ..... A24F 47/008; A24F 40/10; A24F 47/002;  
A24F 15/12; A24F 47/006; A24F 40/00  
See application file for complete search history.

(56) **References Cited**

**U.S. PATENT DOCUMENTS**

D614,285 S \* 4/2010 Birath ..... D24/110  
D790,766 S \* 6/2017 Li ..... D27/163  
D800,377 S \* 10/2017 Liu ..... D27/101  
D805,686 S \* 12/2017 Perez ..... B65D 25/04  
D27/162  
D807,576 S \* 1/2018 Liu ..... D27/163  
D809,191 S \* 1/2018 Li ..... D27/101  
D809,192 S \* 1/2018 Liu ..... D27/163

(57) **CLAIM**

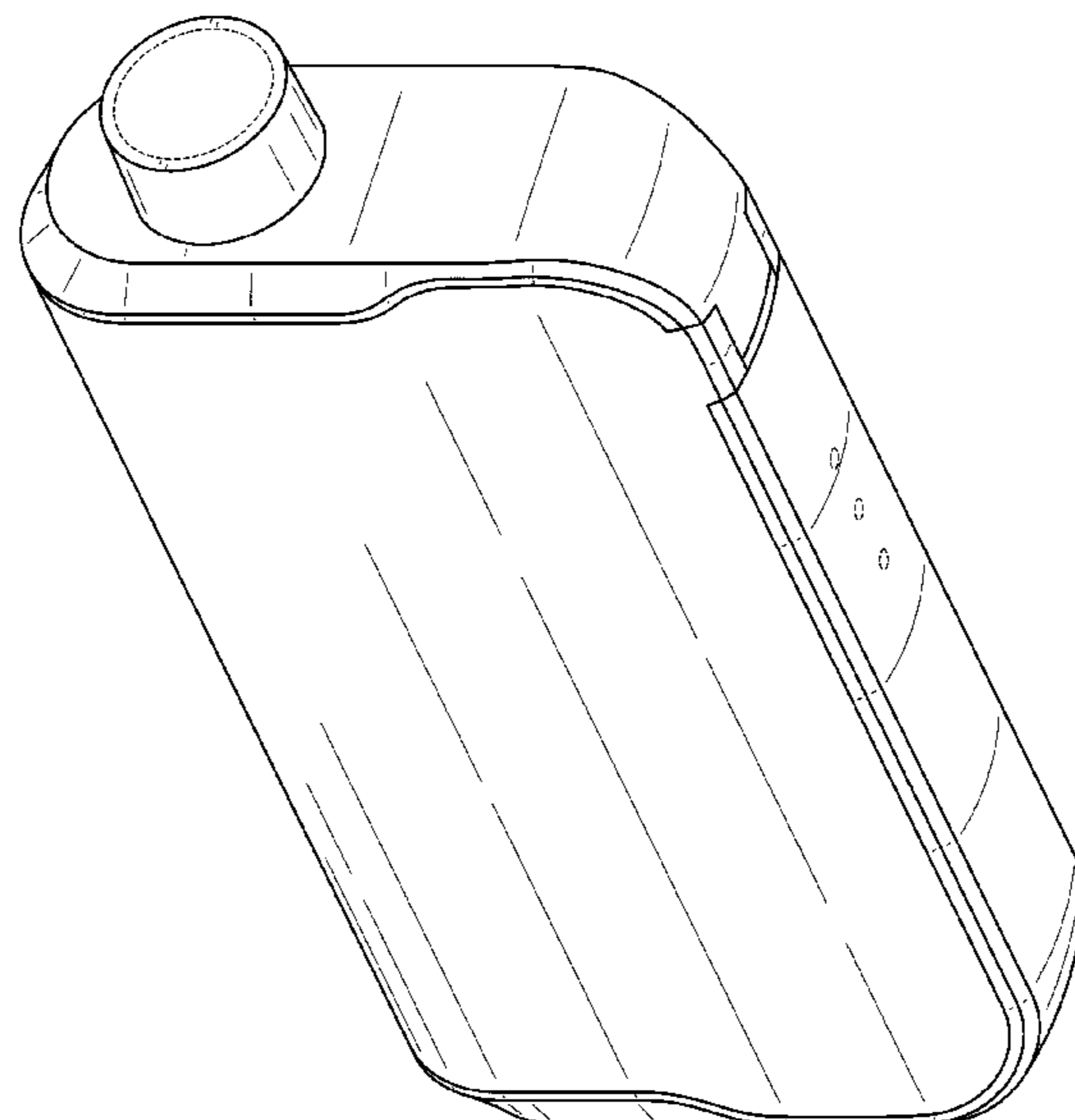
The ornamental design for an electronic cigarette, as shown and described.

**DESCRIPTION**

FIG. 1 is a perspective view of an electronic cigarette showing my new design;  
FIG. 2 is a front view thereof;  
FIG. 3 is a rear view thereof;  
FIG. 4 is a left side view thereof;  
FIG. 5 is a right side view thereof;  
FIG. 6 is a top view thereof;  
FIG. 7 is a bottom view thereof;  
FIG. 8 is a perspective view thereof with the cap in an opened position; and,  
FIG. 9 is another perspective view thereof with the cap in the opened position.

In the drawings, the claimed design is defined by the shaded surfaces; broken lines immediately adjacent shaded surfaces represent boundaries of the claim and form no part thereof; all other broken lines depict portions of the electronic cigarette that form no part of the claim.

**1 Claim, 7 Drawing Sheets**



(56)

**References Cited**

U.S. PATENT DOCUMENTS

D871,666	S *	12/2019	Qiu	.....	D27/163
10,555,555	B2 *	2/2020	Fernando	.....	A24F 40/50
10,602,779	B2 *	3/2020	Chen	.....	A24F 40/46
D881,454	S *	4/2020	Wright	.....	D27/162
D881,455	S *	4/2020	Wright	.....	D27/162
D881,462	S *	4/2020	Wright	.....	D27/162
10,623,040	B2 *	4/2020	Martin	.....	H04M 1/04
10,624,386	B2 *	4/2020	White	.....	A61M 16/14
D883,565	S *	5/2020	Li	.....	D27/162
D884,265	S *	5/2020	Wright	.....	D27/162
10,687,558	B2 *	6/2020	Qiu	.....	A24F 47/008
D890,416	S *	7/2020	Ouyang	.....	D27/162
2018/0160739	A1 *	6/2018	Chen	.....	A61M 15/06

\* cited by examiner

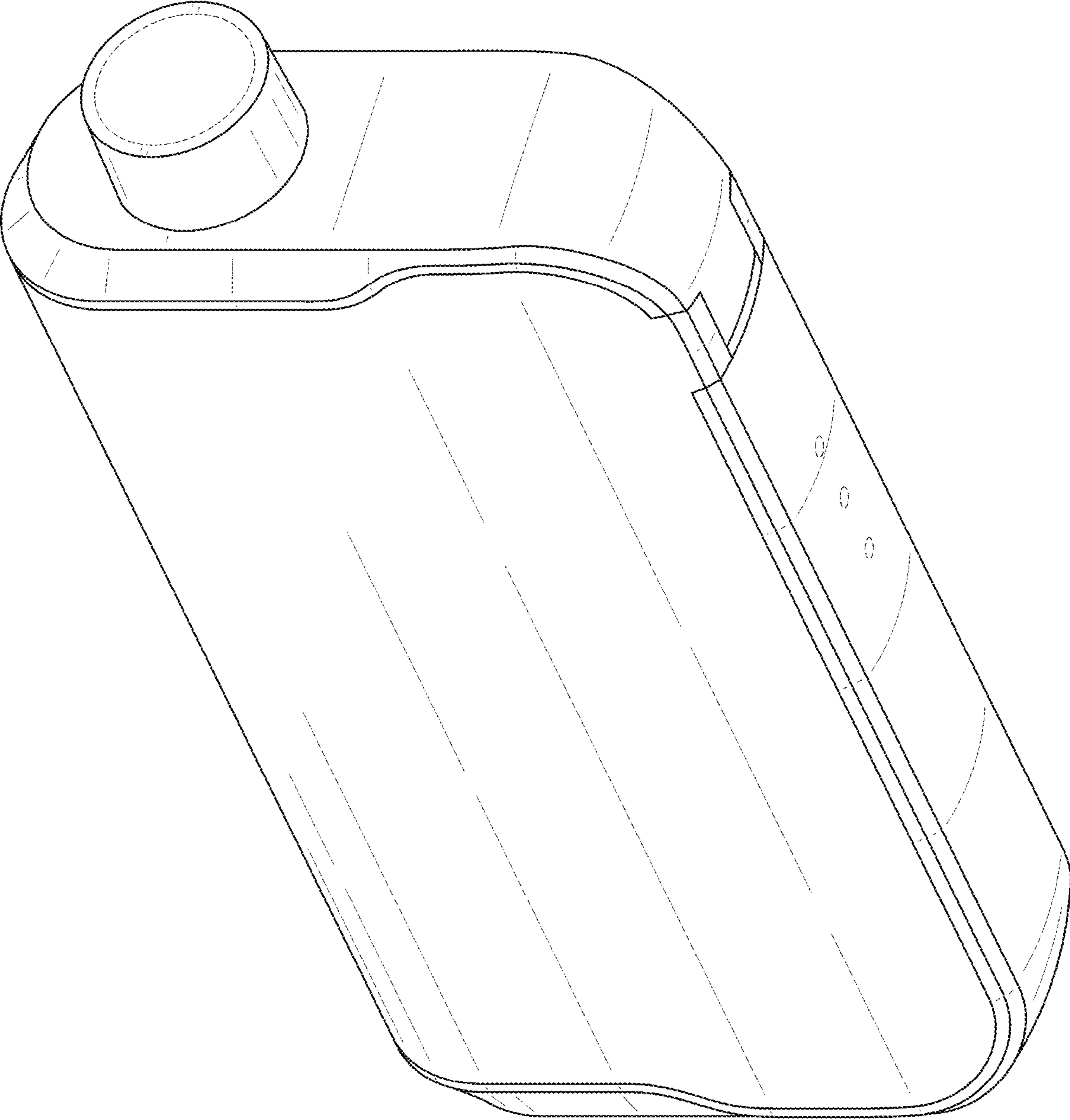


FIG. 1

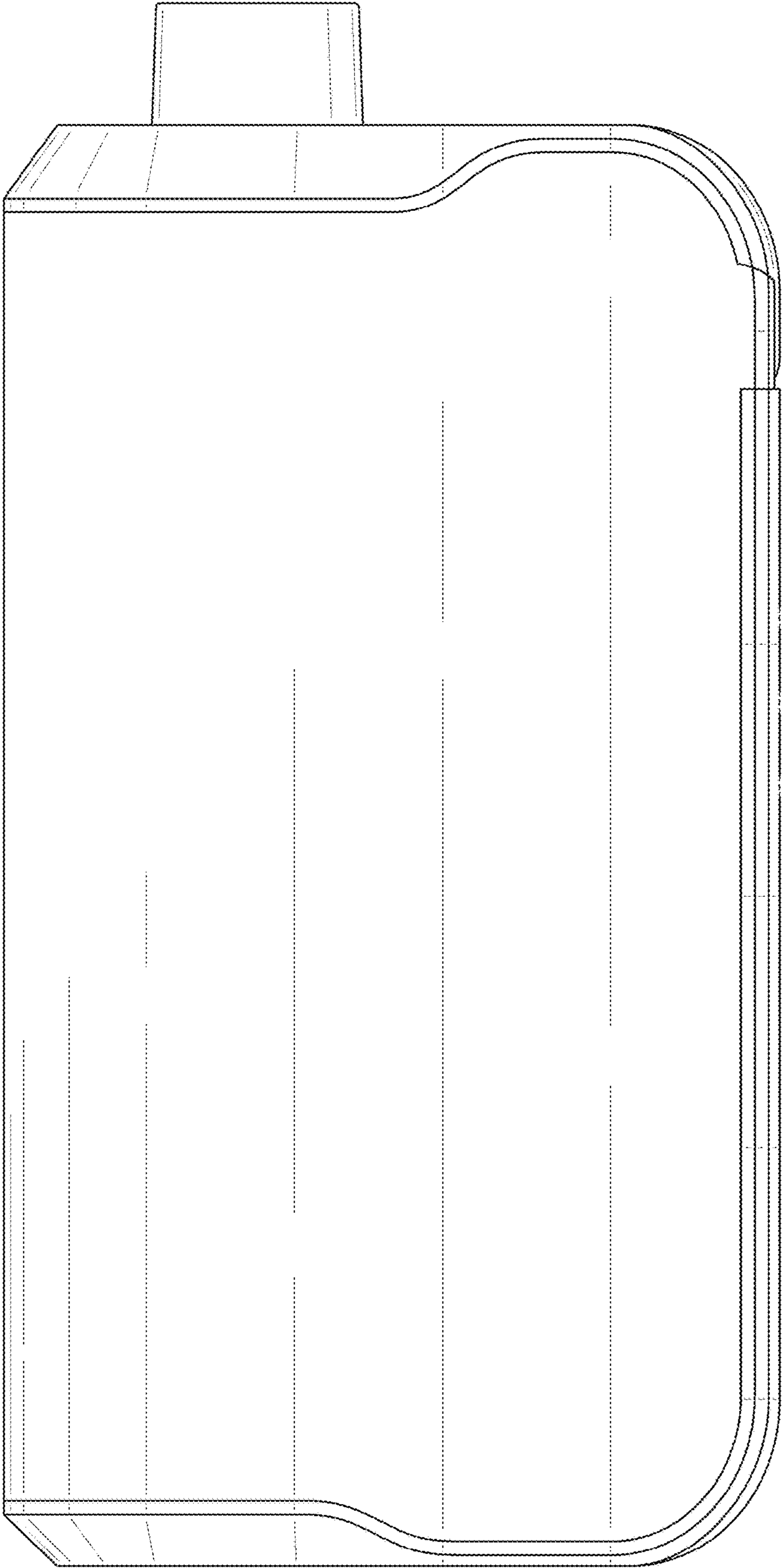


FIG. 2

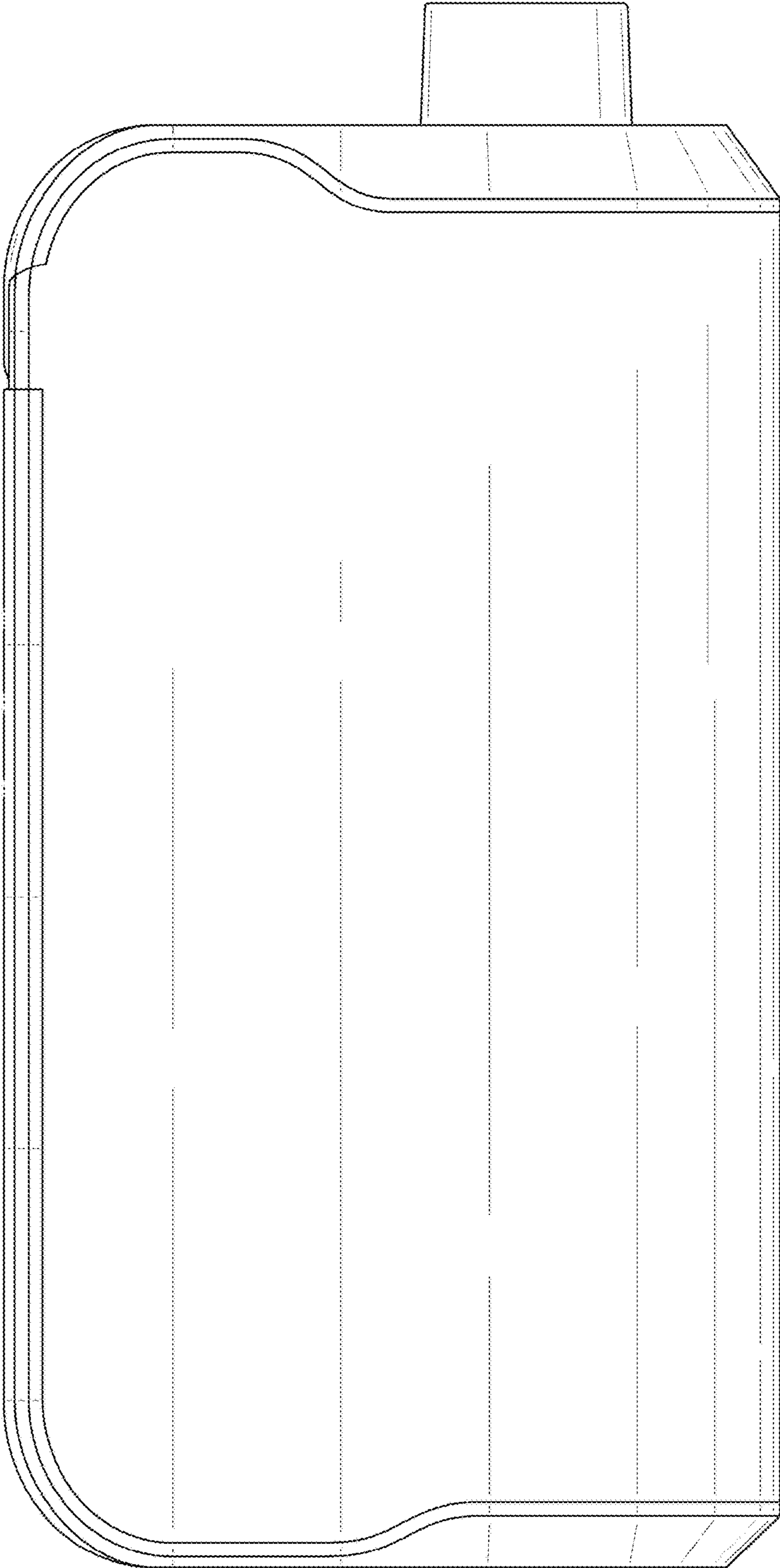


FIG. 3

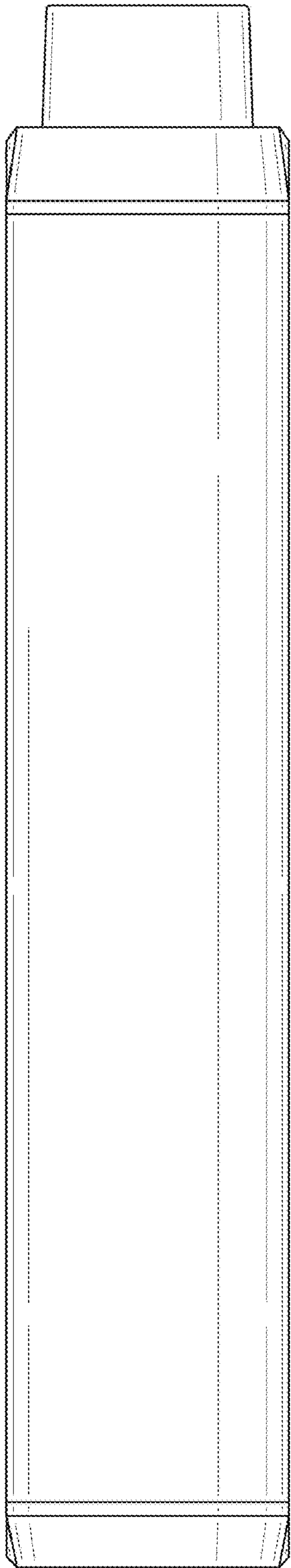


FIG. 4

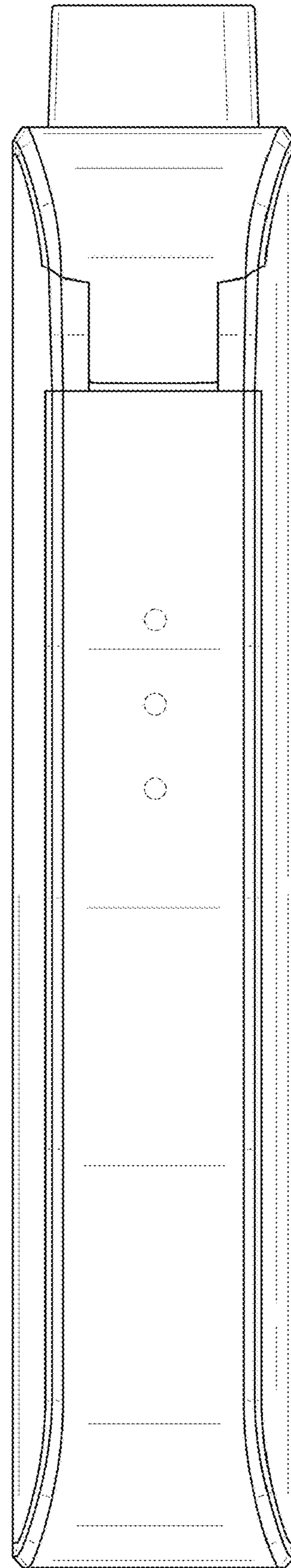


FIG. 5

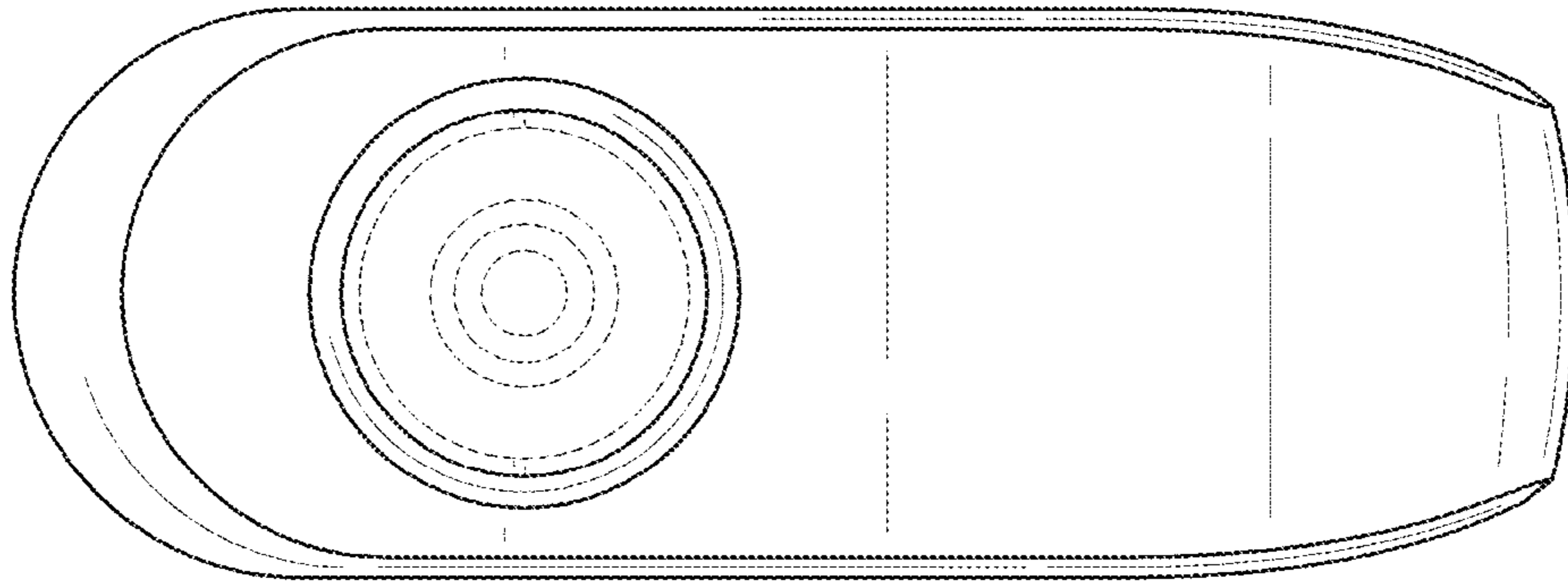


FIG. 6

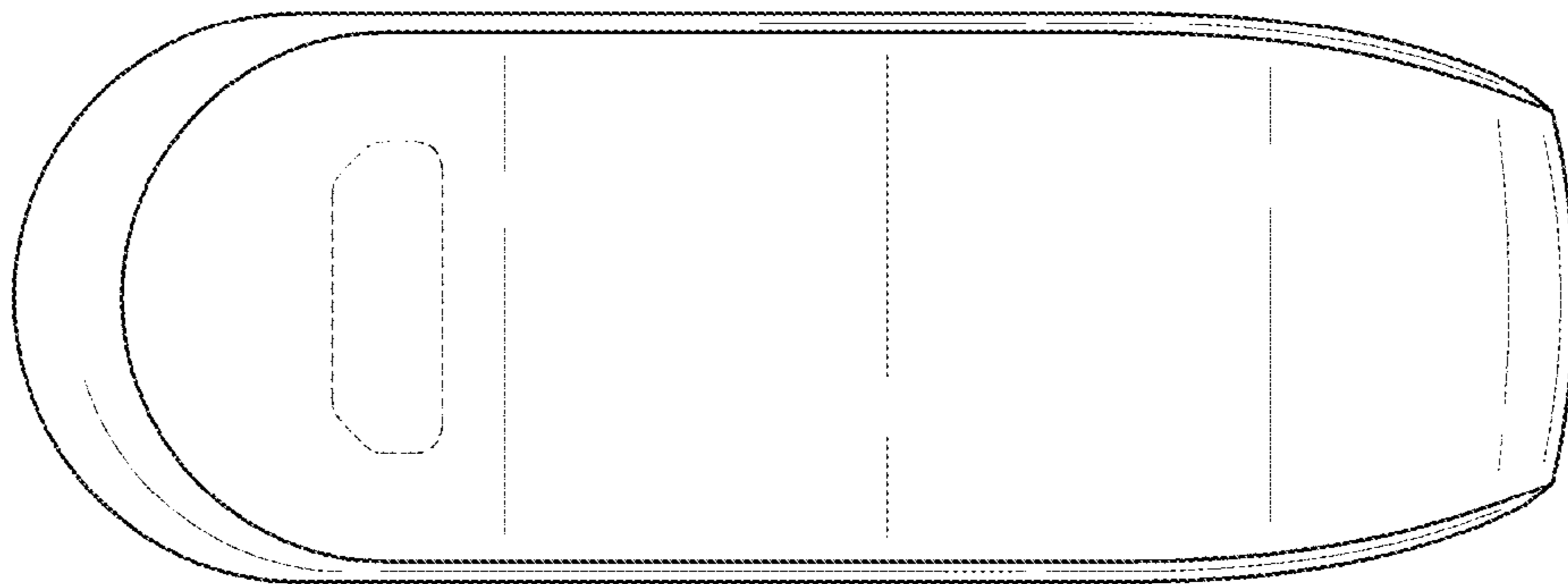


FIG. 7

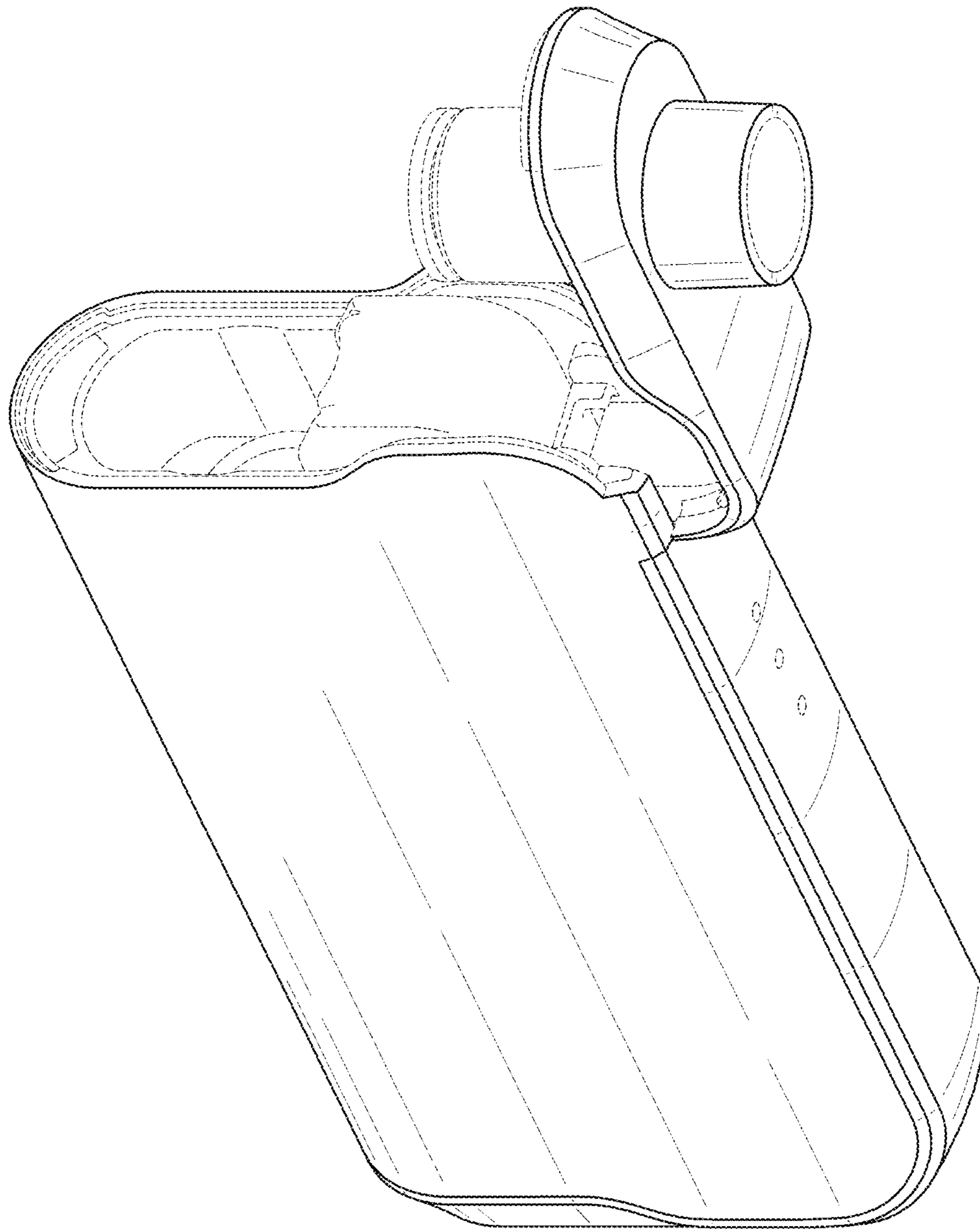


FIG. 8



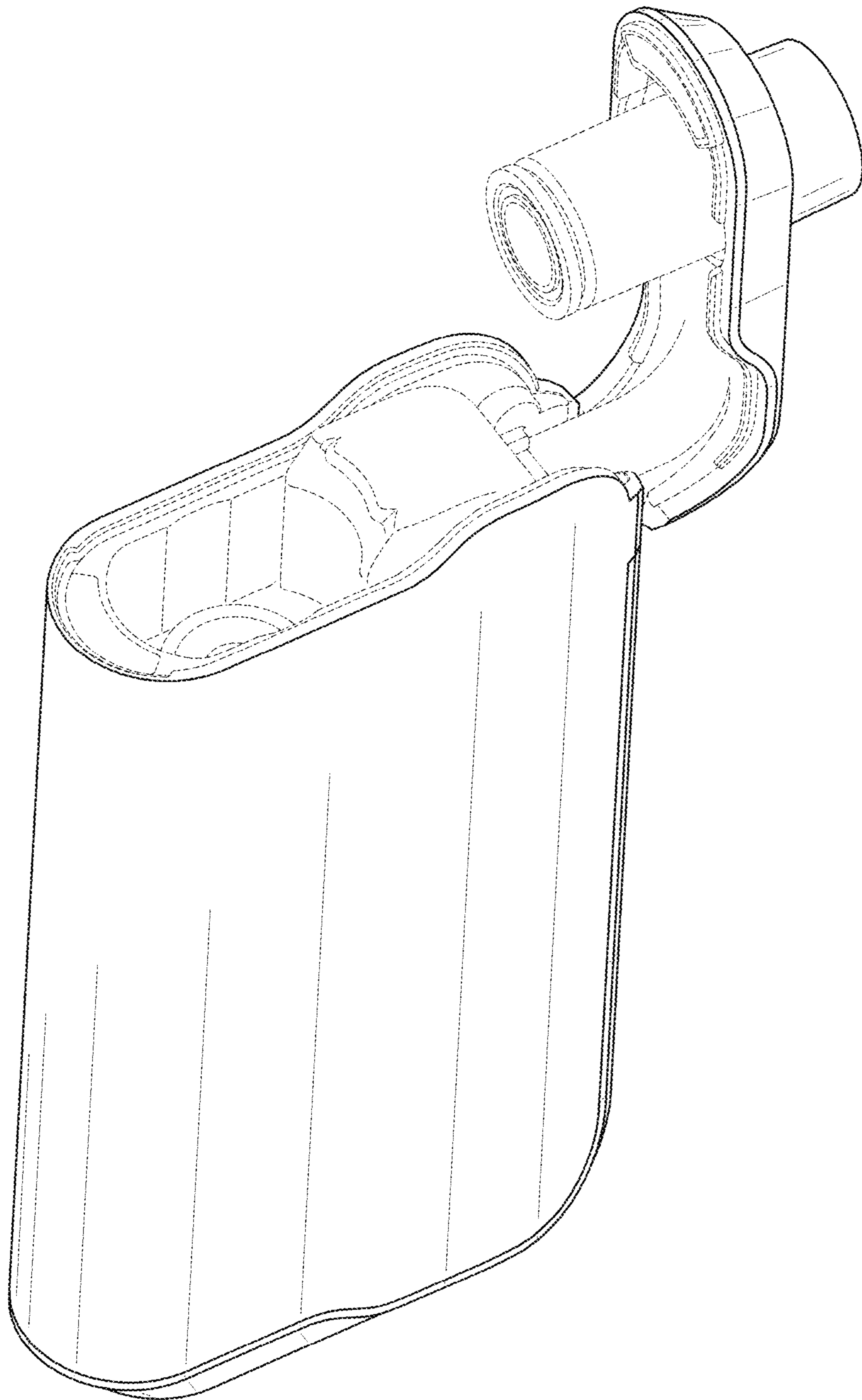


FIG. 9