



US00D914277S

(12) **United States Design Patent**  
**Han**

(10) **Patent No.:** **US D914,277 S**  
(45) **Date of Patent:** **\*\* Mar. 23, 2021**

(54) **ELECTRONIC CIGARETTE ASSEMBLY**

**DESCRIPTION**

(71) Applicant: **Shenzhen Smoore Technology Limited**, Guandong (CN)  
(72) Inventor: **Jiyun Han**, Shenzhen (CN)  
(73) Assignee: **SHENZHEN SMOORE TECHNOLOGY LIMITED**, Shenzhen (CN)  
(\*\*) Term: **15 Years**  
(21) Appl. No.: **29/690,080**  
(22) Filed: **May 5, 2019**

(30) **Foreign Application Priority Data**

Nov. 7, 2018 (CN) ..... 201830628189.8

(51) **LOC (13) Cl.** ..... **27-02**

(52) **U.S. Cl.**  
USPC ..... **D27/162**

(58) **Field of Classification Search**  
USPC ..... D27/162, 100, 101, 163-165, 172, 174, D27/175, 183, 185-194; D24/110, 110.5; D13/107-109; 128/202.21, 203.12  
(Continued)

(56) **References Cited**

**U.S. PATENT DOCUMENTS**

D613,395 S \* 4/2010 Nakao ..... D24/110  
D763,502 S \* 8/2016 Verleur ..... D27/167  
(Continued)

*Primary Examiner* — Marissa J Cash  
*Assistant Examiner* — Rebecca Tsehaye

(57) **CLAIM**

The ornamental design for an electronic cigarette assembly, as shown and described.

FIG. 1 is a perspective view of an atomizer of an electronic cigarette assembly according to a first embodiment showing a first component removed from the assembly in FIGS. 15-21;

FIG. 2 is a front elevational view thereof;  
FIG. 3 is a rear elevational view thereof;  
FIG. 4 is a left side elevational view thereof;  
FIG. 5 is a right side elevational view thereof;  
FIG. 6 is an enlarged top plan view thereof;  
FIG. 7 is an enlarged bottom plan view thereof;  
FIG. 8 is a perspective view of an electronic cigarette assembly showing a second component removed from the assembly in FIGS. 15-21;

FIG. 9 is a front elevational view thereof;  
FIG. 10 is a rear elevational view thereof;  
FIG. 11 is a left side elevational view thereof;  
FIG. 12 is a right side elevational view thereof;  
FIG. 13 is an enlarged top plan view thereof;  
FIG. 14 is an enlarged bottom plan view thereof;  
FIG. 15 is a perspective view of an electronic cigarette assembly according to the first embodiment where the first component and second component are shown in an assembled state of use;

FIG. 16 is a front elevational view thereof;  
FIG. 17 is a rear elevational view thereof;  
FIG. 18 is a left side elevational view thereof;  
FIG. 19 is a right side elevational view thereof;  
FIG. 20 is an enlarged top plan view thereof;  
FIG. 21 is an enlarged bottom plan view thereof;  
FIG. 22 is a perspective view of an atomizer electronic cigarette assembly according to a second embodiment showing a first component removed from the assembly shown in FIGS. 29-35;

FIG. 23 is a front elevational view thereof;  
FIG. 24 is a rear elevational view thereof;  
FIG. 25 is a left side elevational view thereof;  
FIG. 26 is a right side elevational view thereof;  
FIG. 27 is an enlarged top plan view thereof;  
FIG. 28 is an enlarged bottom plan view thereof;

(Continued)

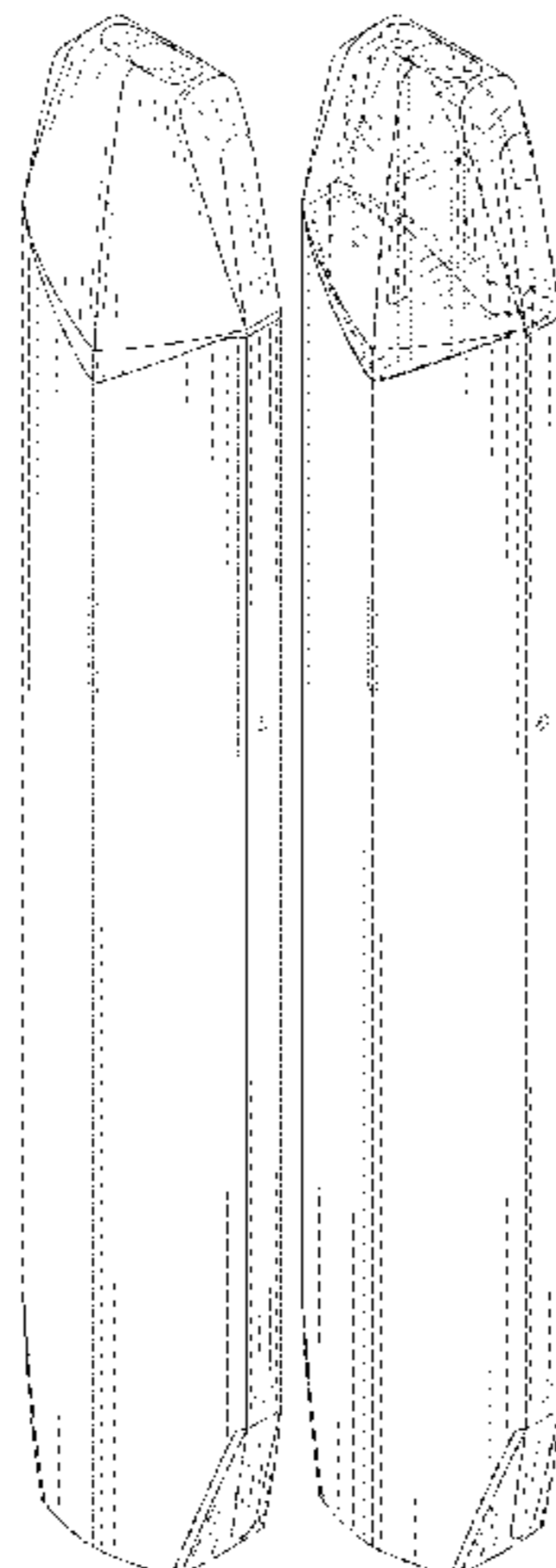


FIG. 29 is a perspective view of the electronic cigarette assembly according to the second embodiment where the first component and second component are shown in an assembled state of use;

FIG. 30 is a front elevational view thereof;

FIG. 31 is a rear elevational view thereof;

FIG. 32 is a left side elevational view thereof;

FIG. 33 is a right side elevational view thereof;

FIG. 34 is an enlarged top plan view thereof; and,

FIG. 35 is an enlarged bottom plan view thereof.

The broken lines in the drawings depict portions of the electronic cigarette assembly that form no part of the claimed design.

The oblique shade lines in the figures show transparency.

**1 Claim, 30 Drawing Sheets**

(58) **Field of Classification Search**

CPC .... A24F 47/002; A24F 47/006; A24F 47/008;  
A61M 15/00; A61M 15/06

See application file for complete search history.

(56)

**References Cited**

U.S. PATENT DOCUMENTS

D820,515	S	*	6/2018	Nettenstrom	.....	D27/167
D846,796	S	*	4/2019	Pan	.....	D27/101
D852,408	S	*	6/2019	Nettenstrom	.....	D27/101
D853,632	S	*	7/2019	Qiu	.....	D27/101
D866,064	S	*	11/2019	Powell	.....	D27/170
D872,934	S	*	1/2020	Powell	.....	D27/163
D875,302	S	*	2/2020	Pan	.....	D27/162
D875,303	S	*	2/2020	Pan	.....	D27/162
D875,305	S	*	2/2020	Lai	.....	D27/167
D875,306	S	*	2/2020	Pan	.....	D27/167
D880,053	S	*	3/2020	Han	.....	D27/162
D881,460	S	*	4/2020	Han	.....	D27/162
D889,736	S	*	7/2020	Han	.....	D27/162
D892,397	S	*	8/2020	Li	.....	D27/162
D893,094	S	*	8/2020	Wang	.....	D27/162
D895,199	S	*	9/2020	Li	.....	D27/162
D900,385	S	*	10/2020	Wang	.....	D27/162
D900,386	S	*	10/2020	Wang	.....	D27/162
D902,473	S	*	11/2020	Li	.....	D27/101
D904,680	S	*	12/2020	Pan	.....	D27/162
D907,290	S	*	1/2021	Pan	.....	D27/162
2016/0286860	A1	*	10/2016	Flayler	.....	A61M 15/06
2019/0053542	A1	*	2/2019	Chen	.....	A61M 11/042

\* cited by examiner

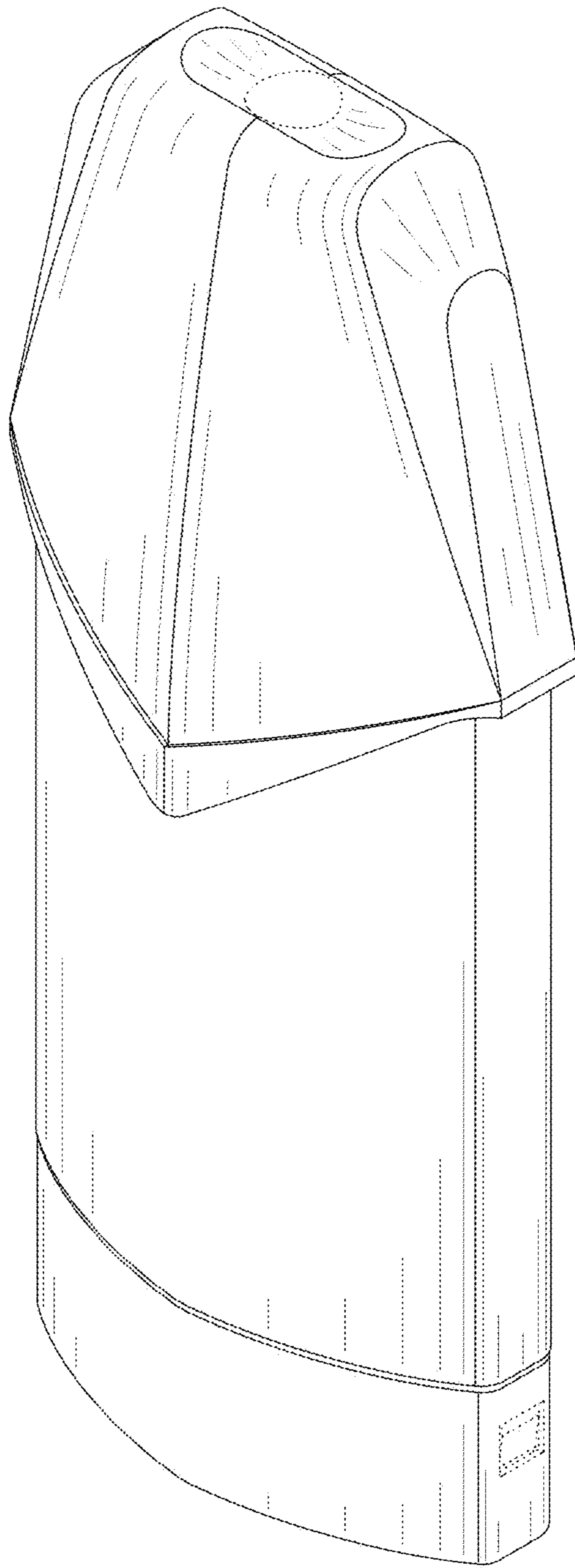


FIG. 1

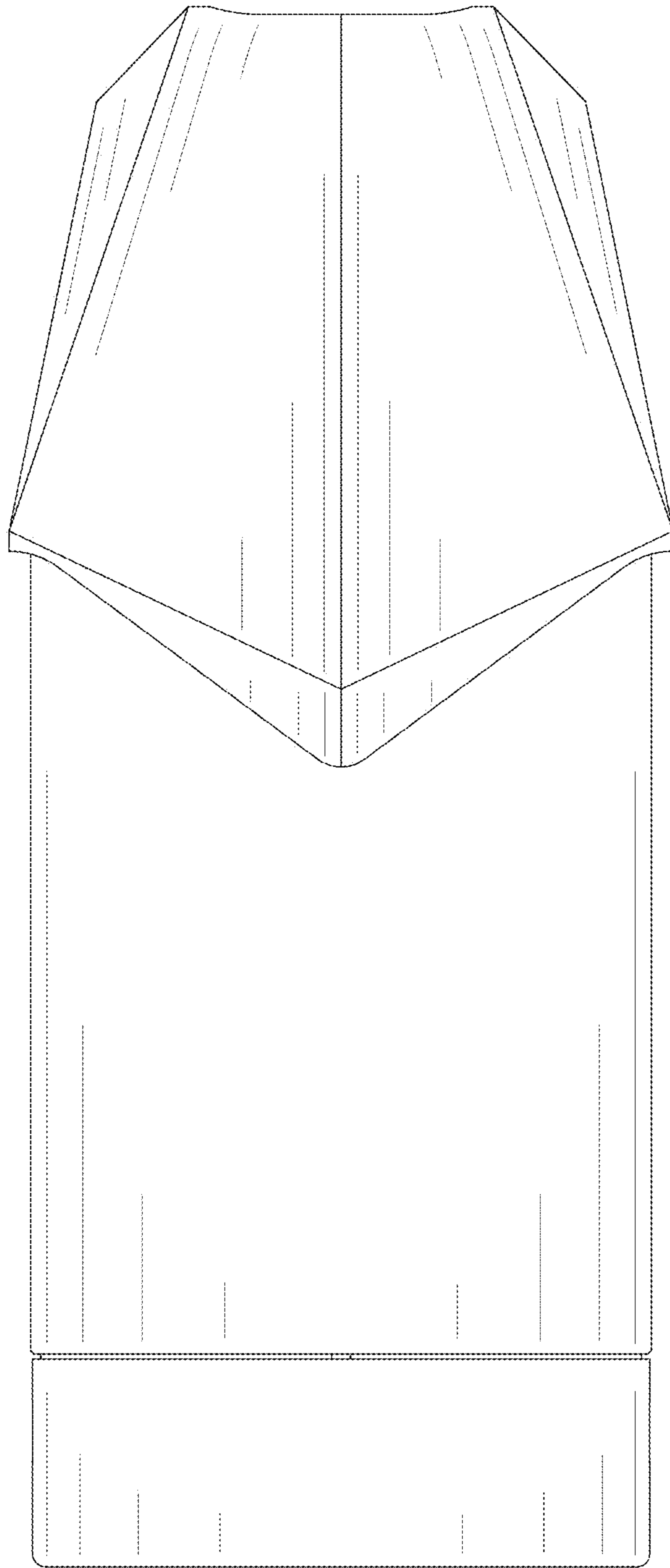


FIG. 2

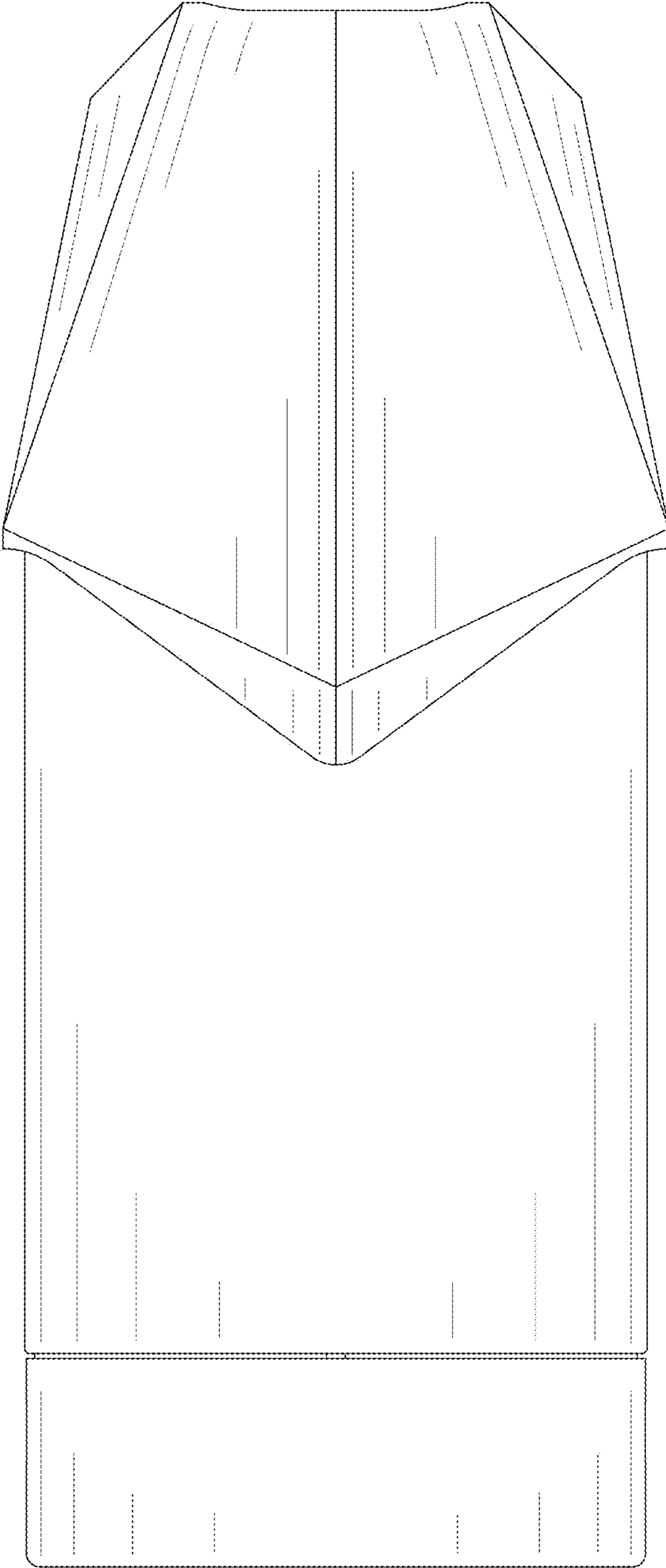


FIG. 3

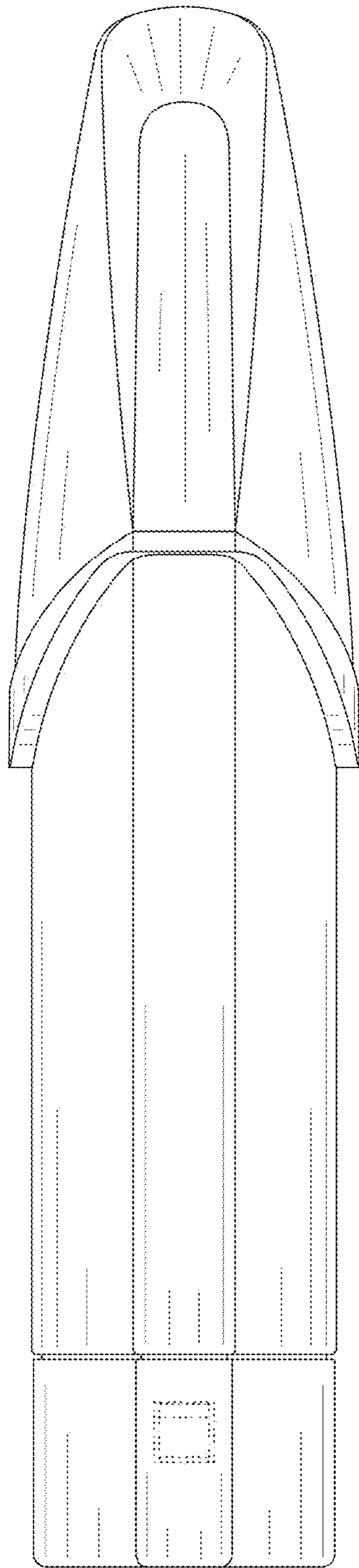


FIG. 4

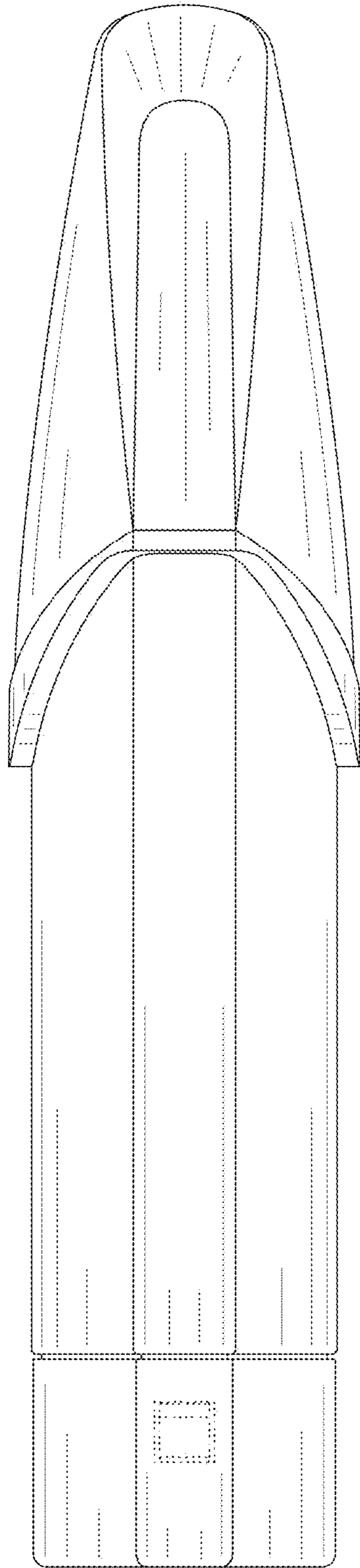


FIG. 5

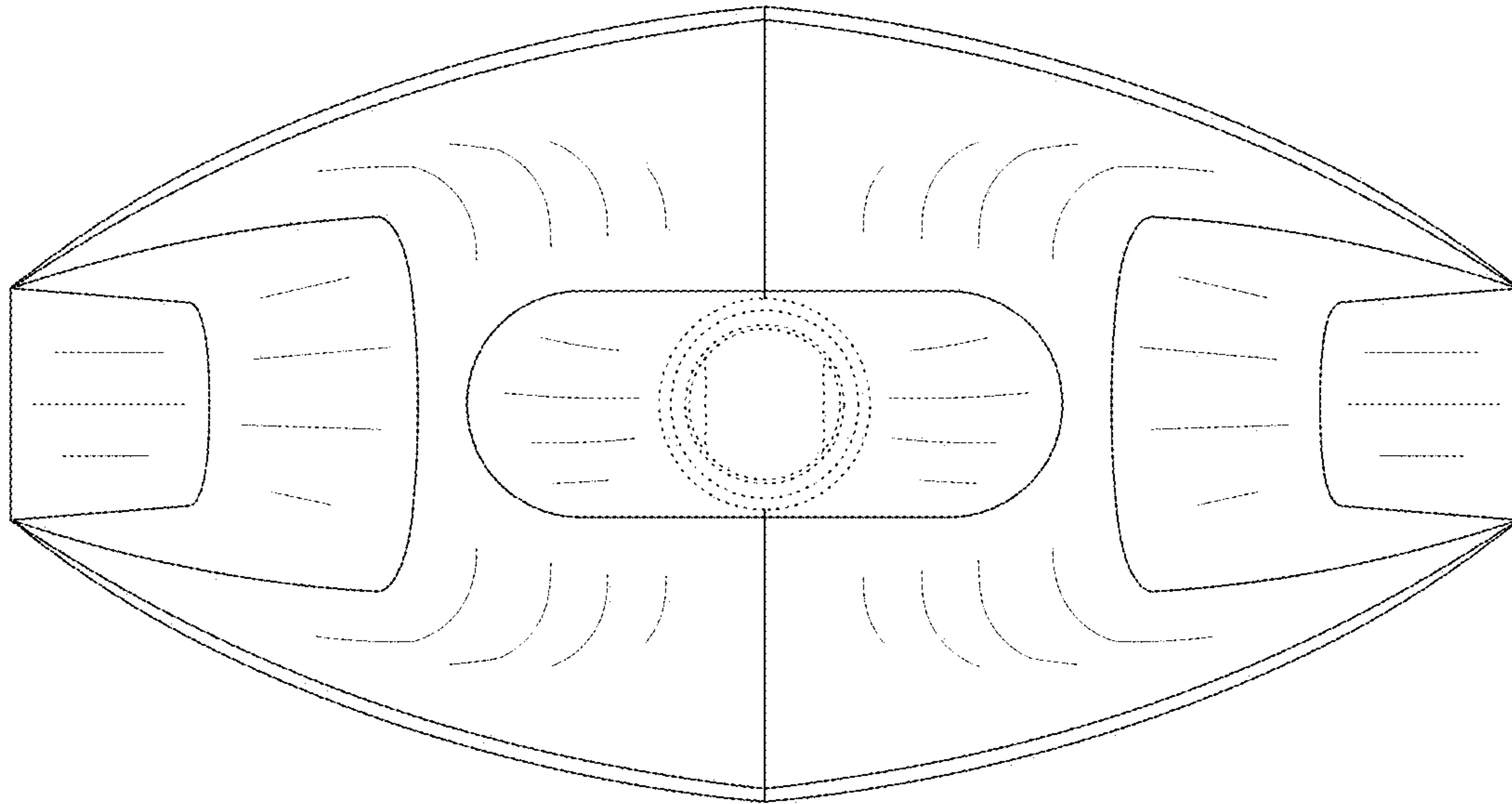


FIG. 6

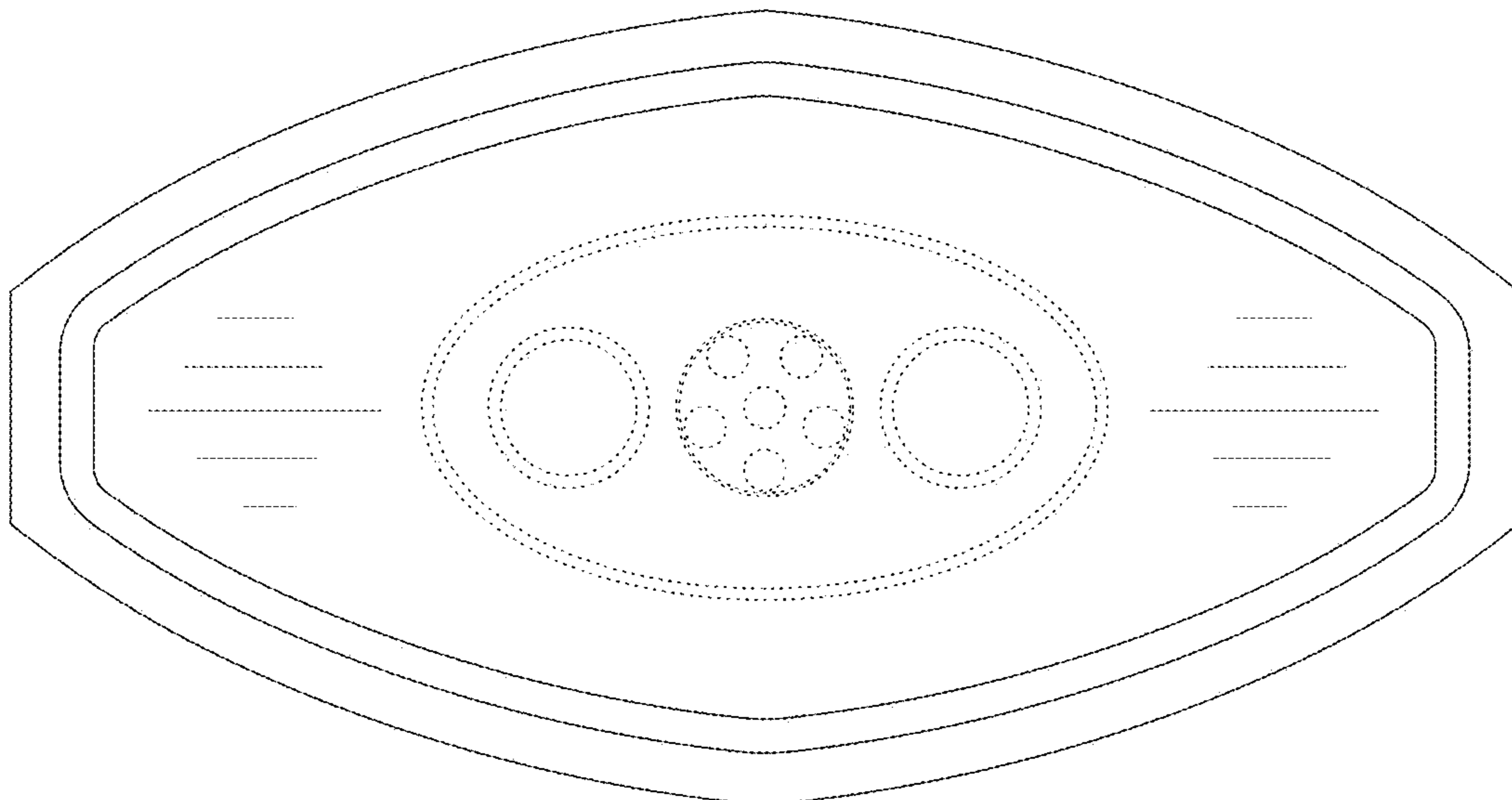


FIG. 7



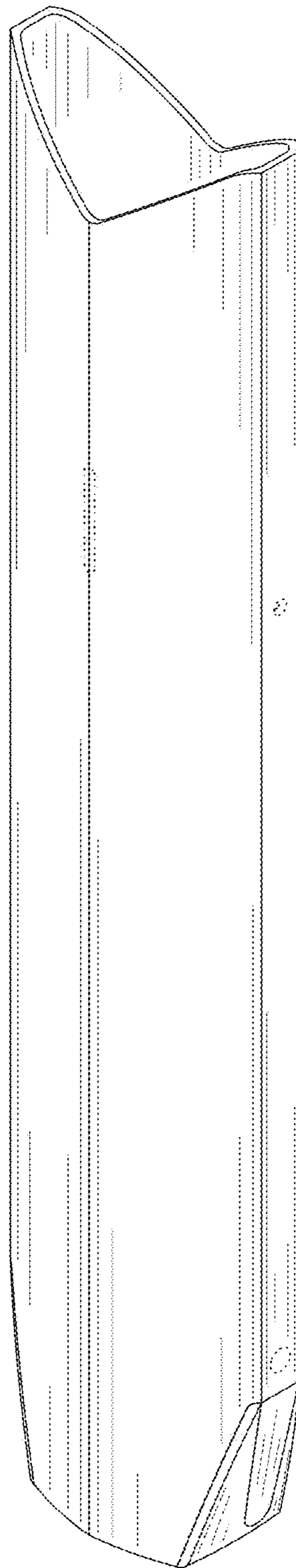


FIG. 8

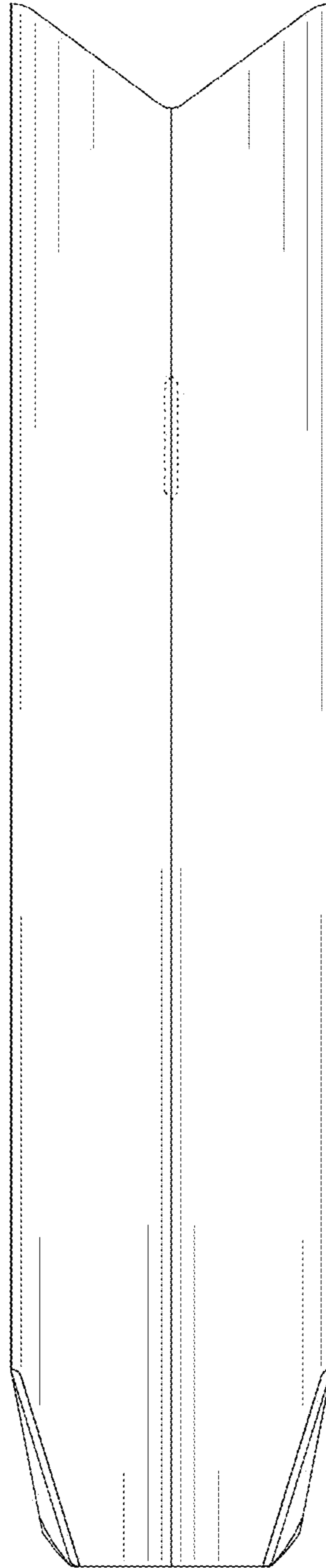


FIG. 9

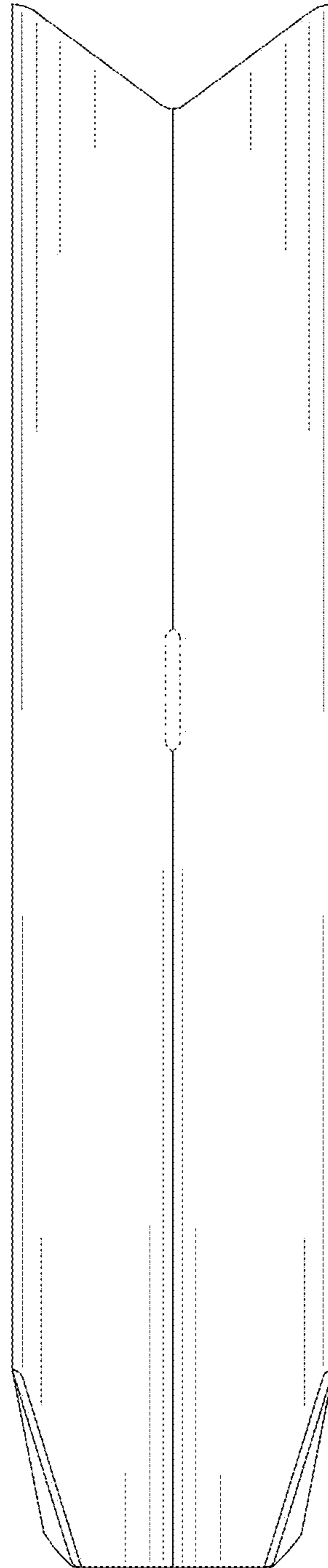


FIG. 10

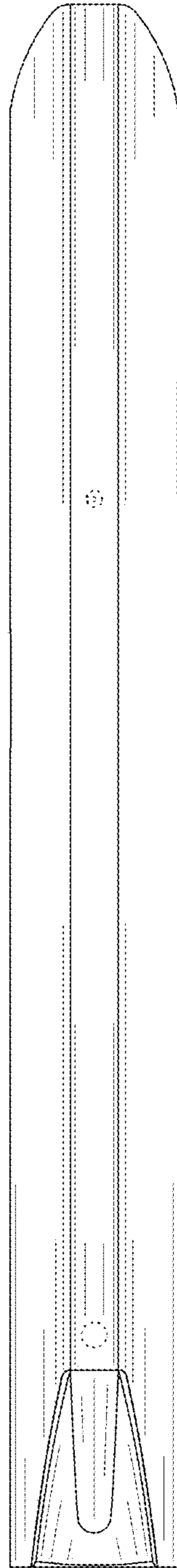


FIG. 11

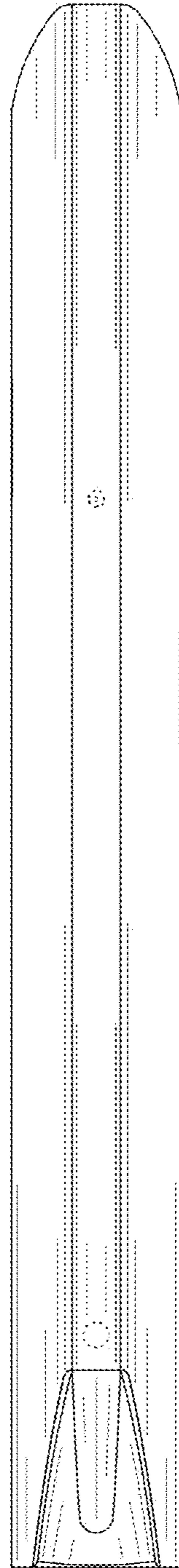


FIG. 12

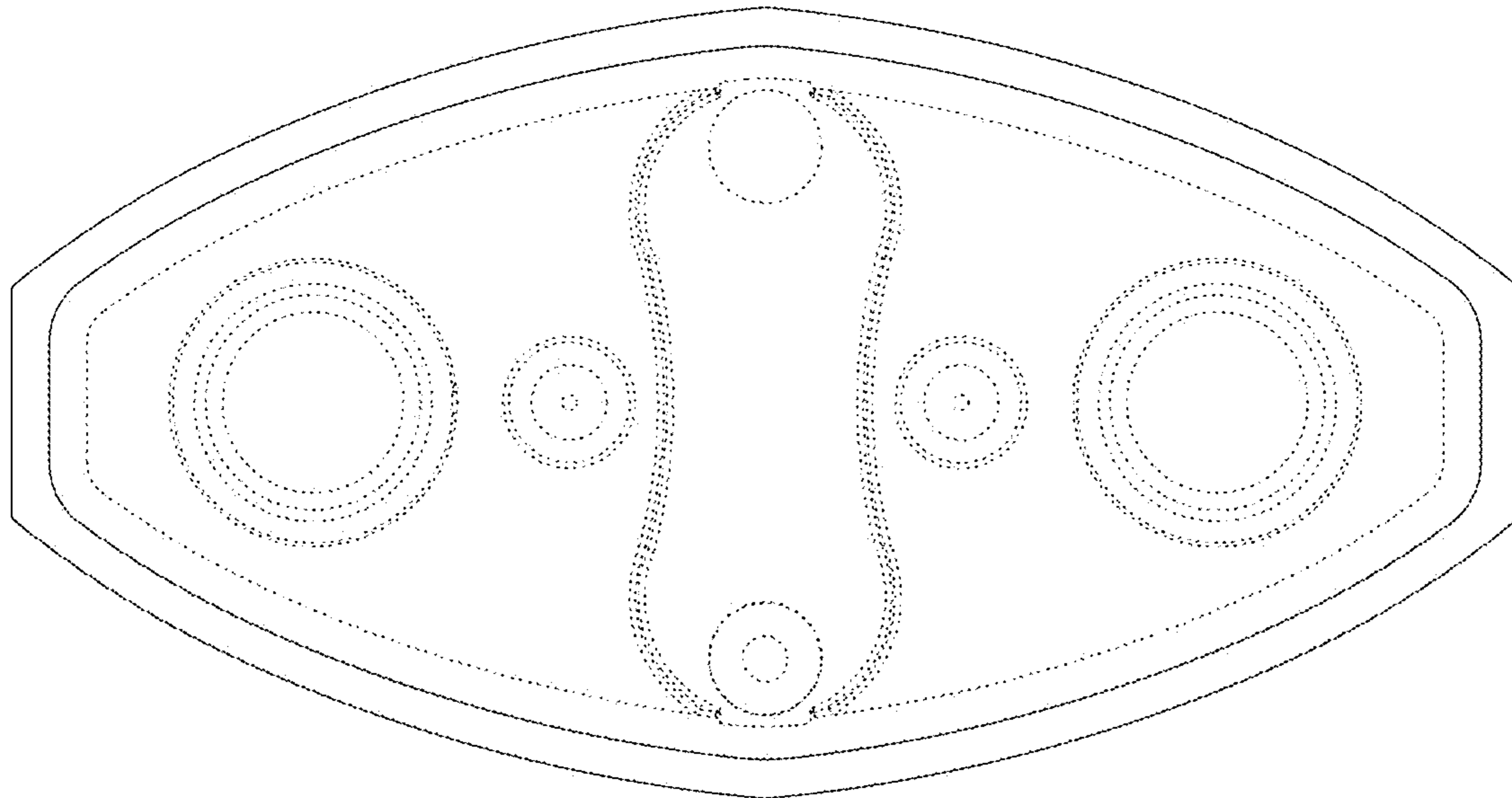


FIG. 13

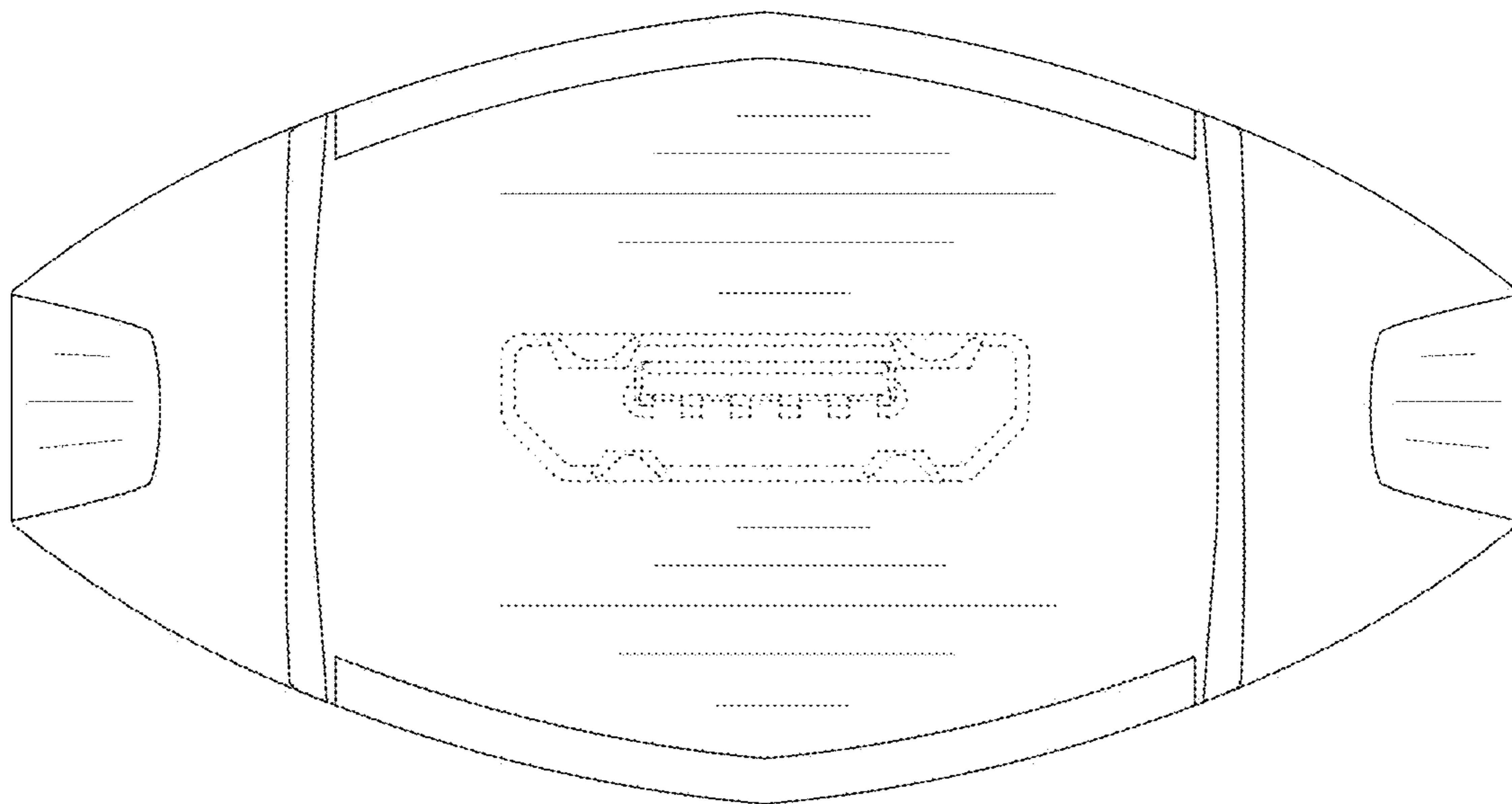


FIG. 14

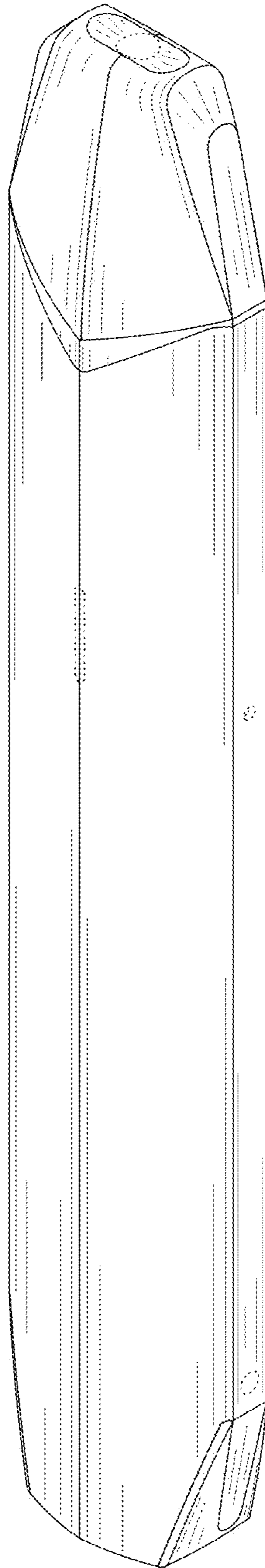


FIG. 15

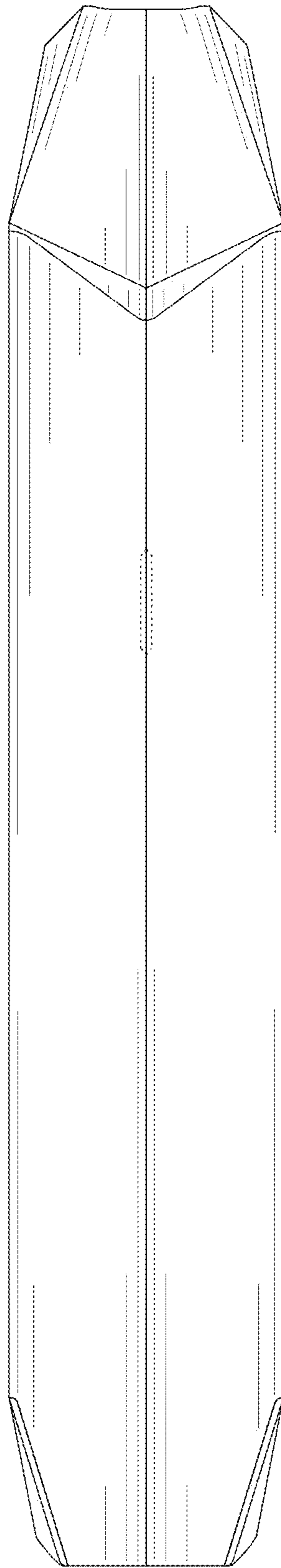


FIG. 16



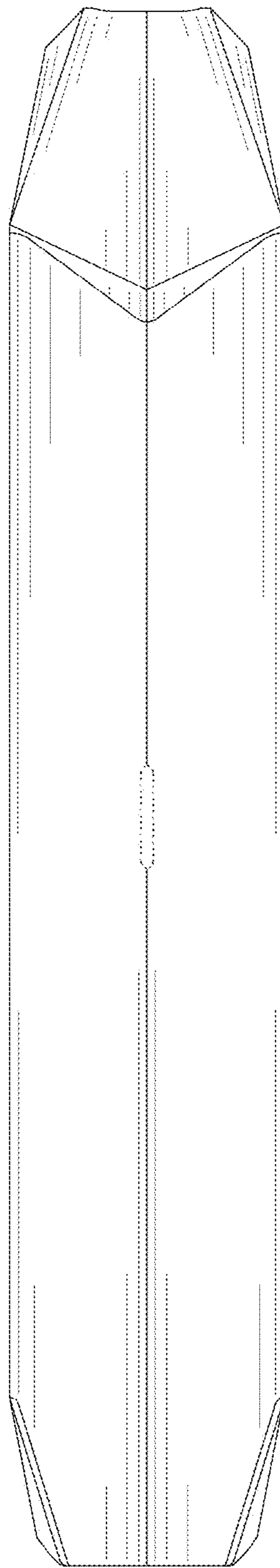


FIG. 17

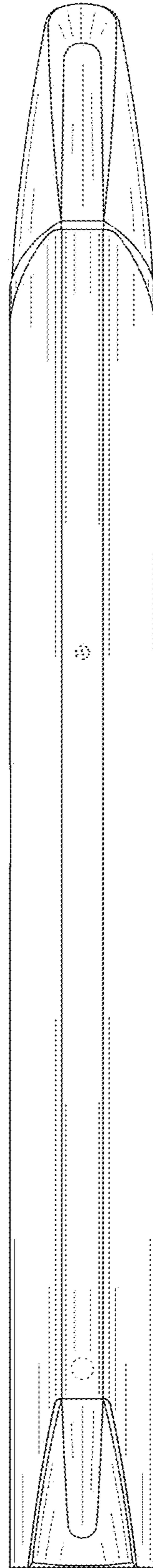


FIG. 18

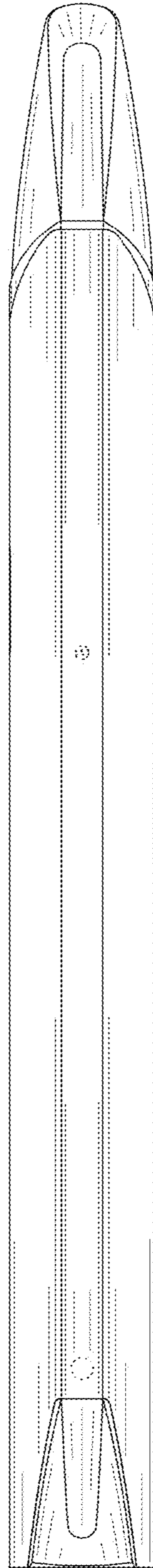


FIG. 19

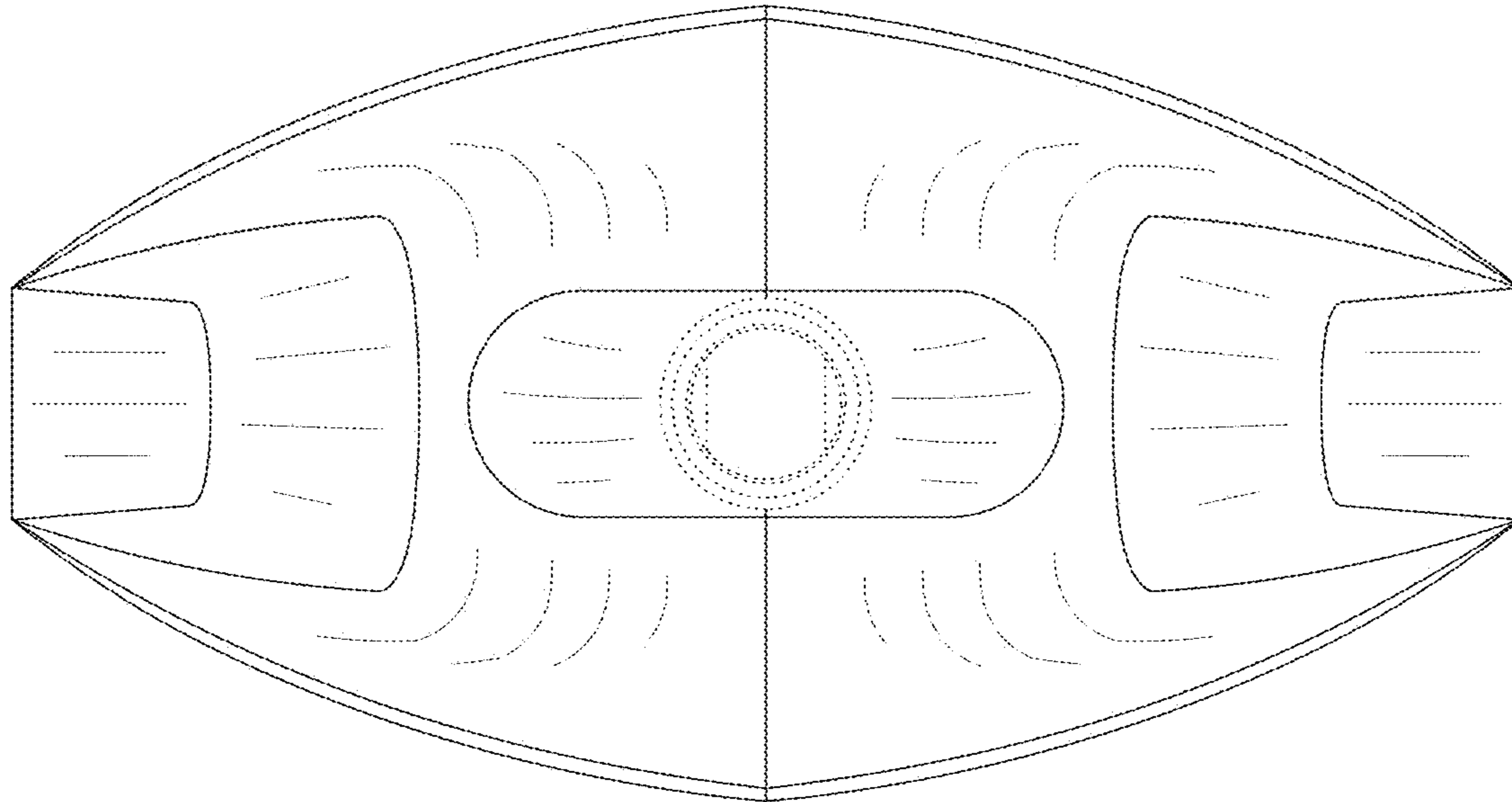


FIG. 20

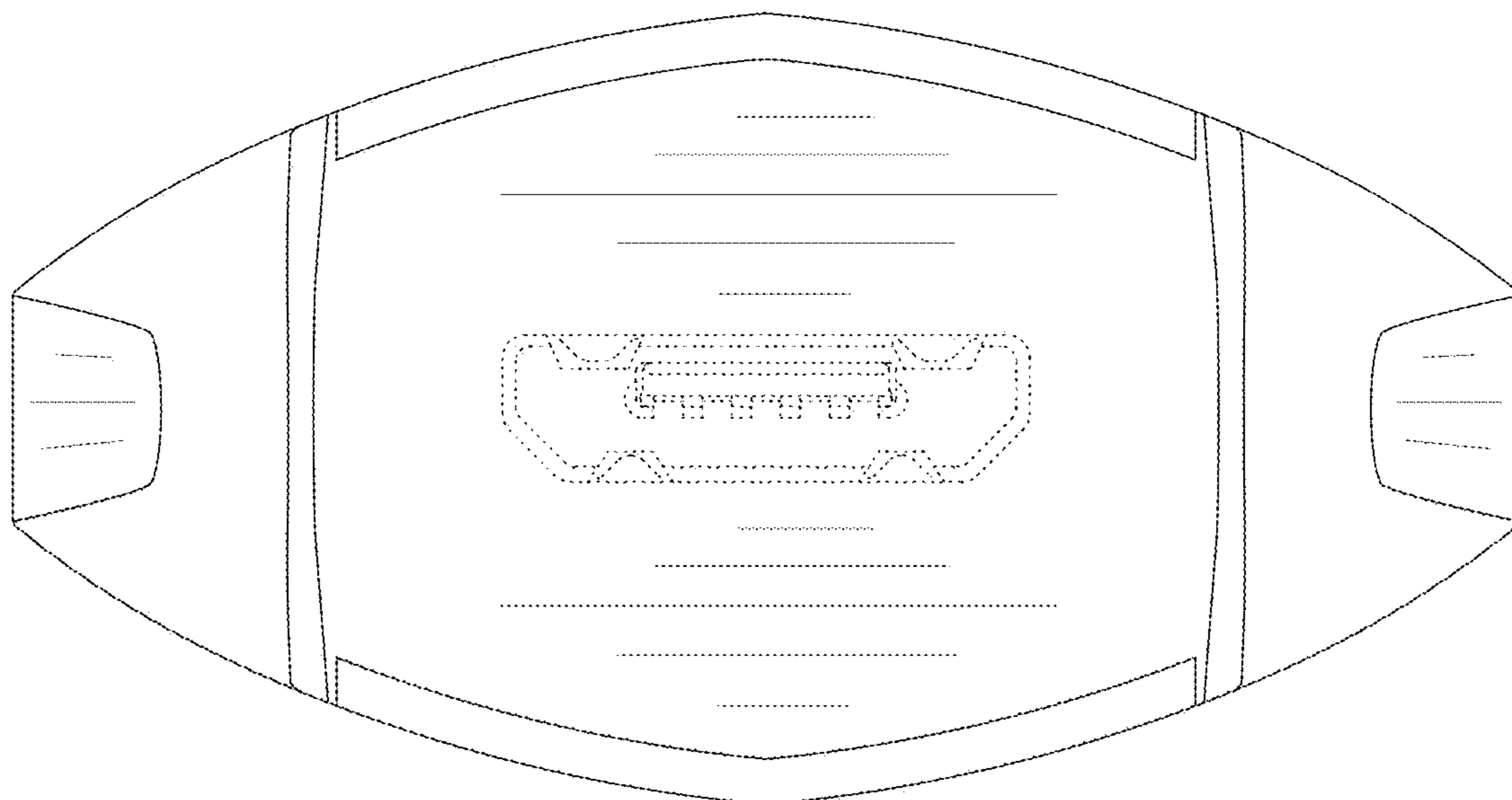


FIG. 21

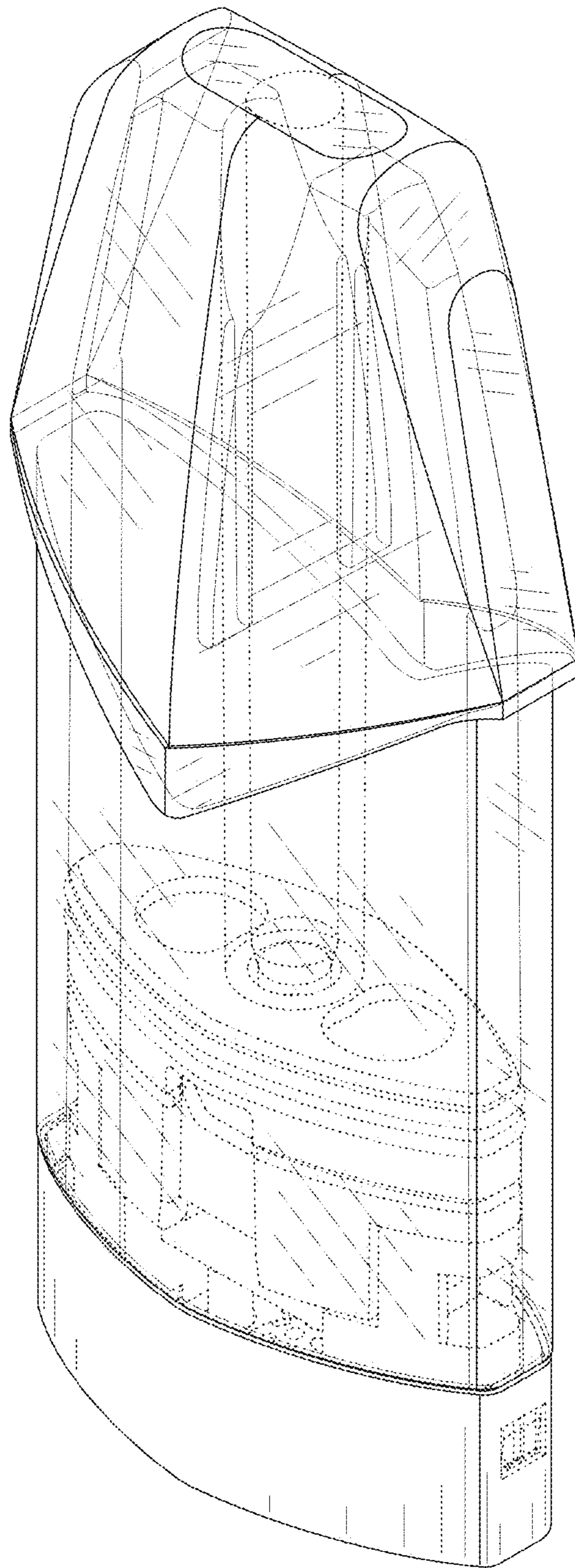


FIG. 22

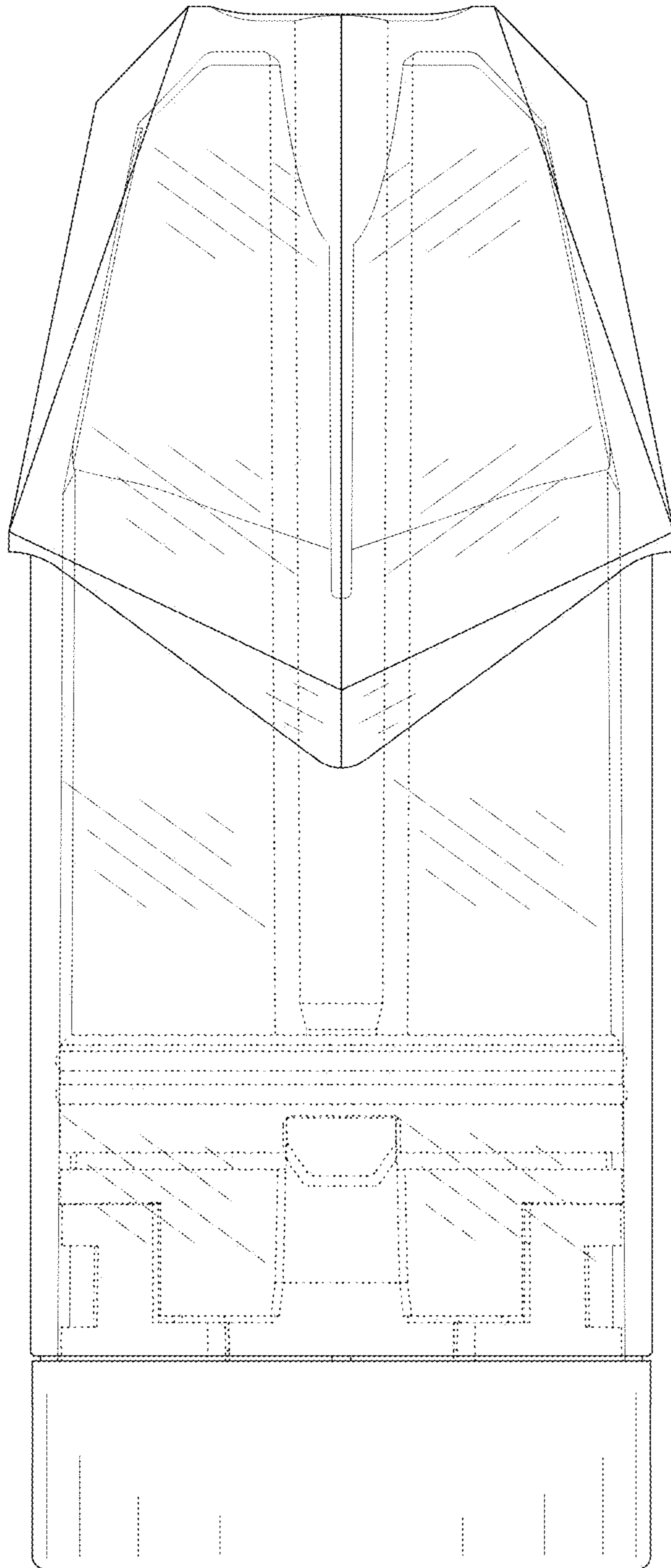


FIG. 23

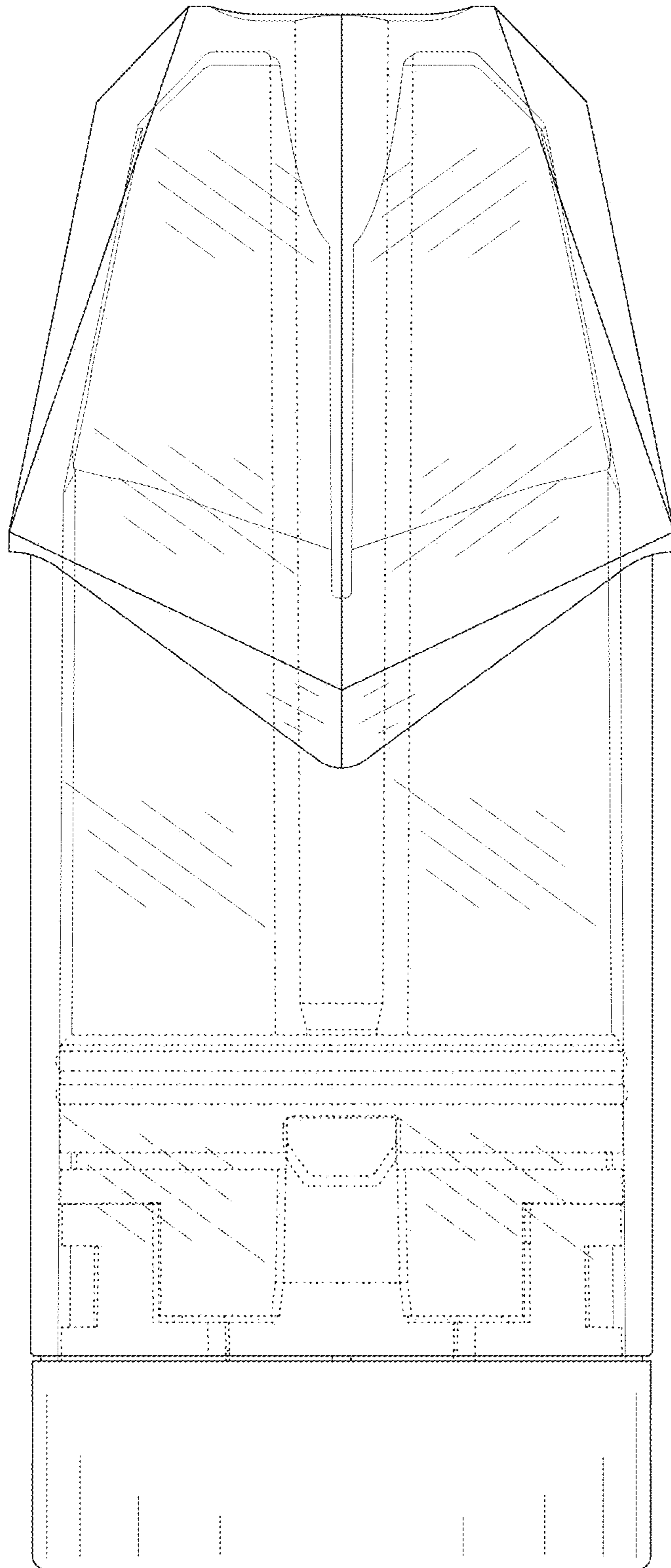


FIG. 24

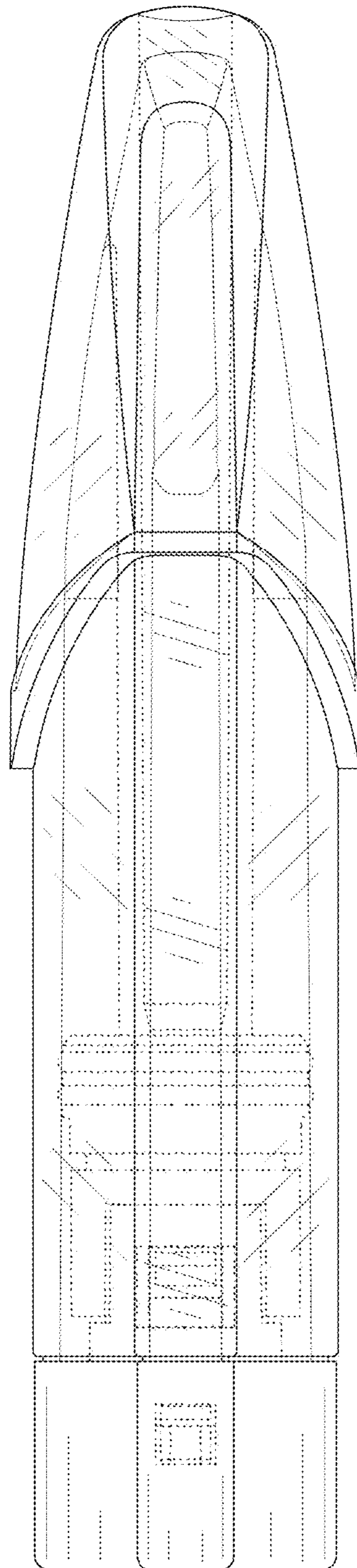


FIG. 25



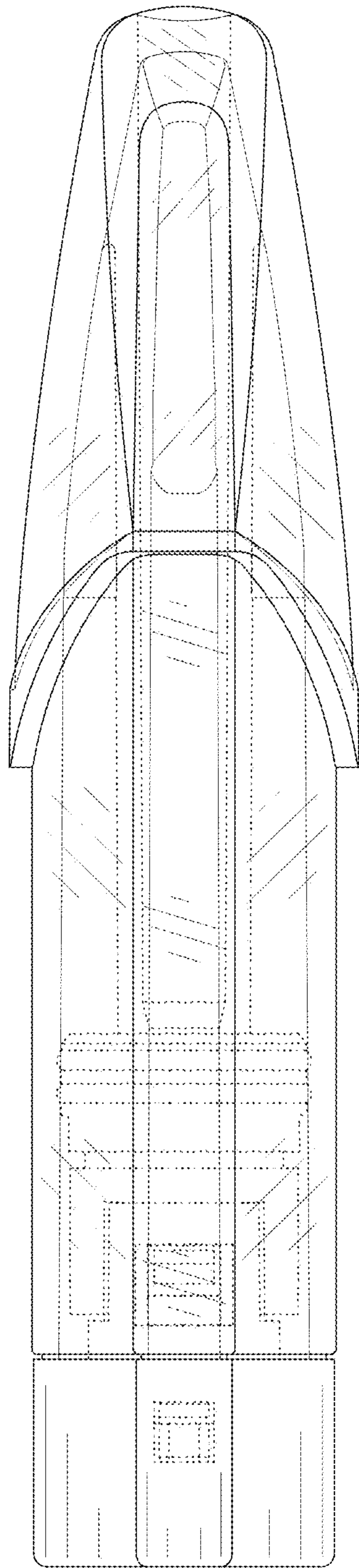


FIG. 26

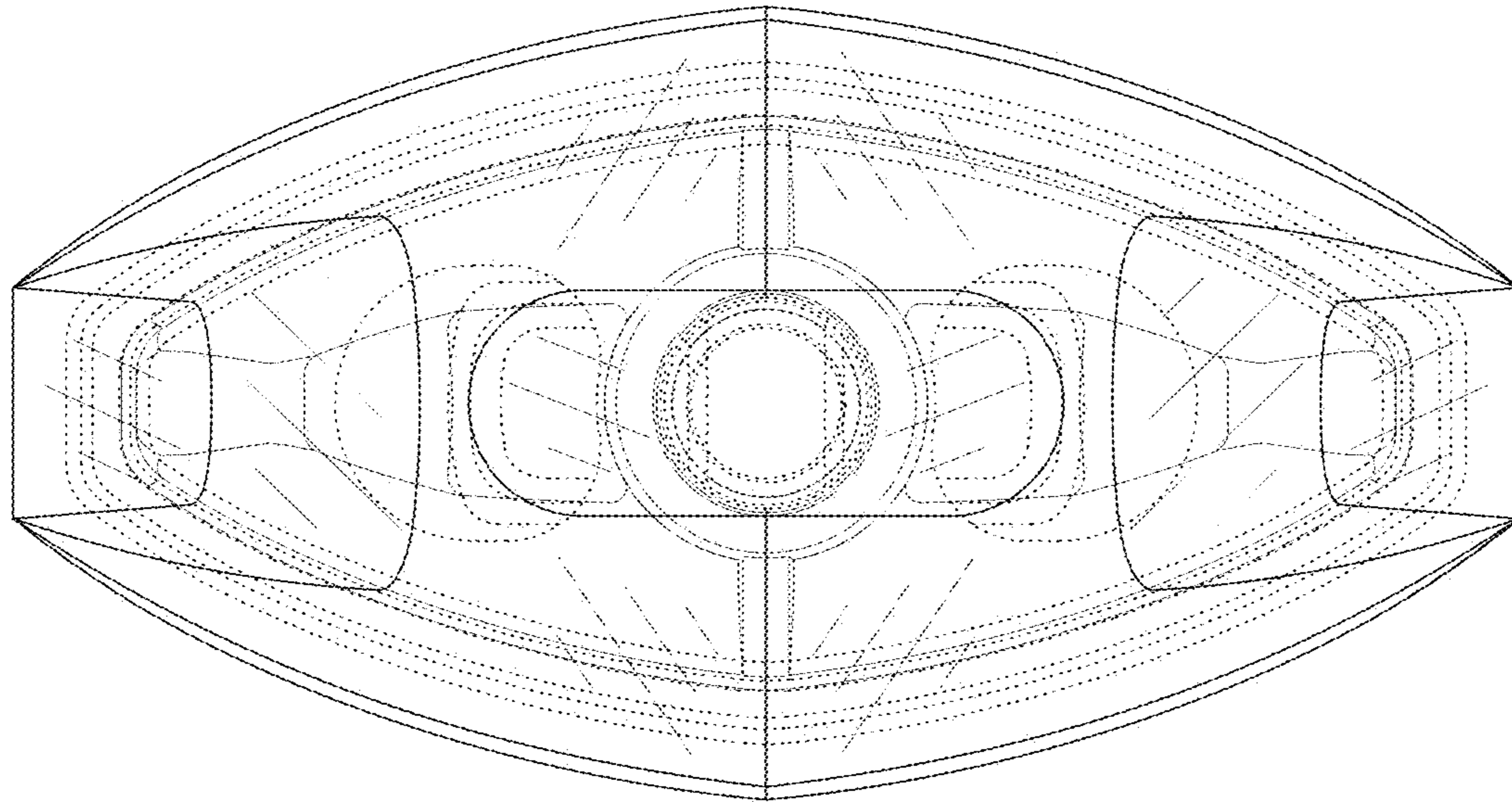


FIG. 27

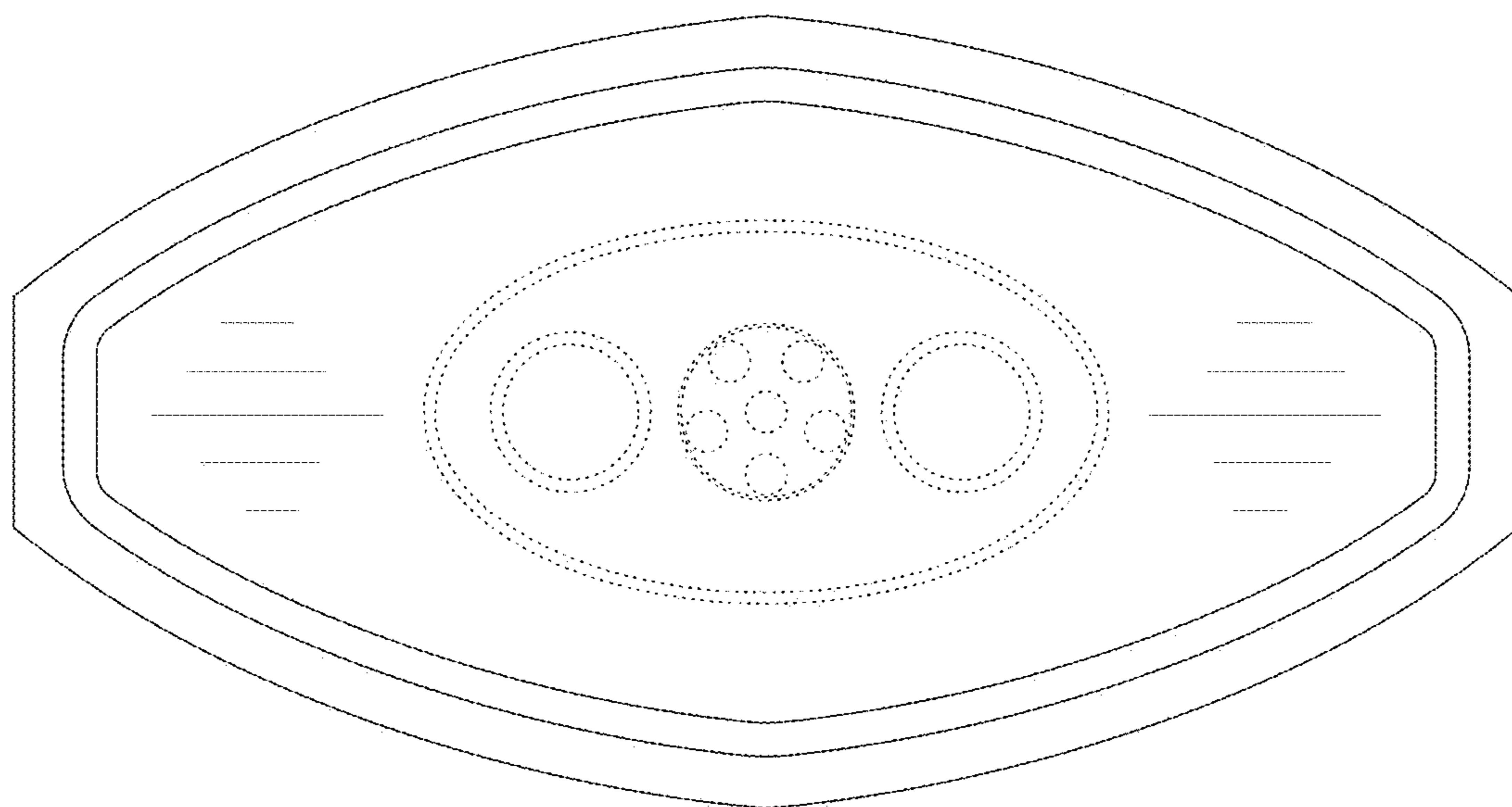


FIG. 28

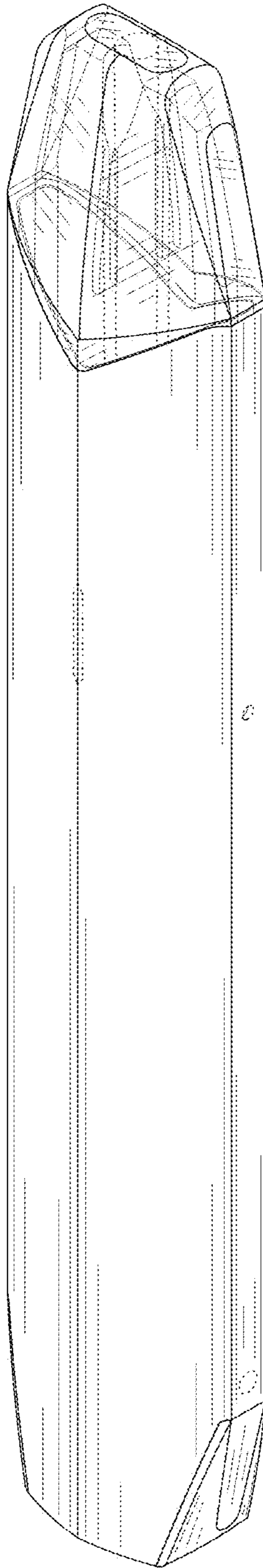


FIG. 29

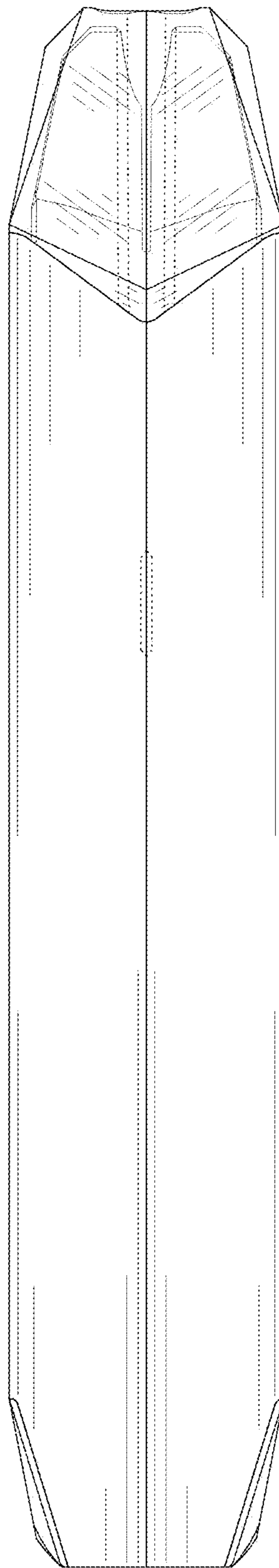


FIG. 30

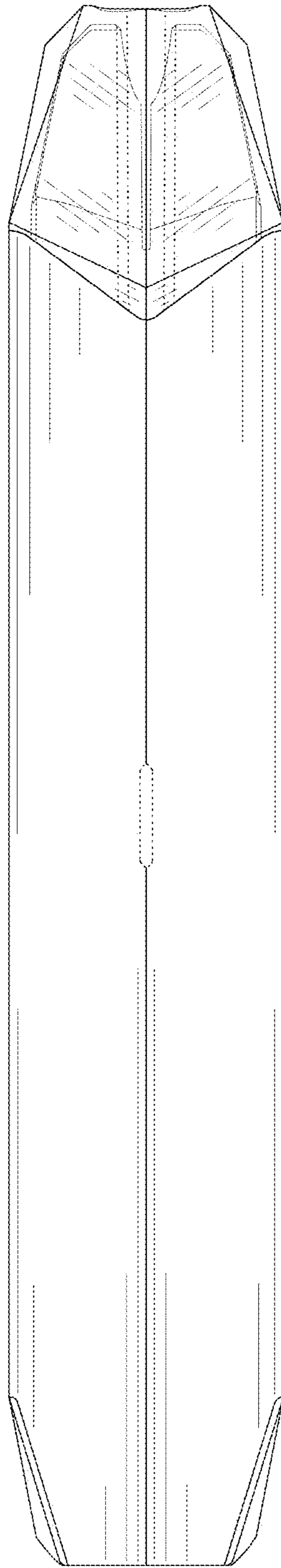


FIG. 31

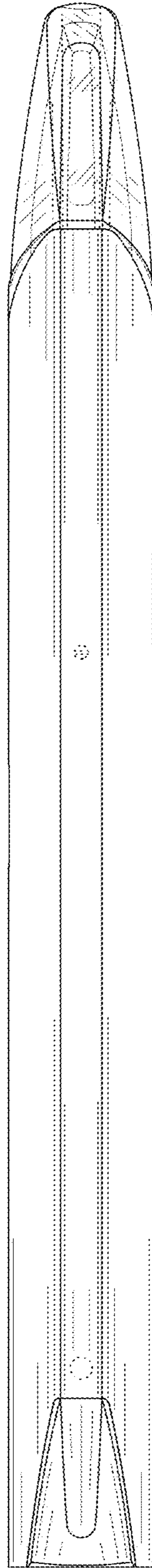


FIG. 32

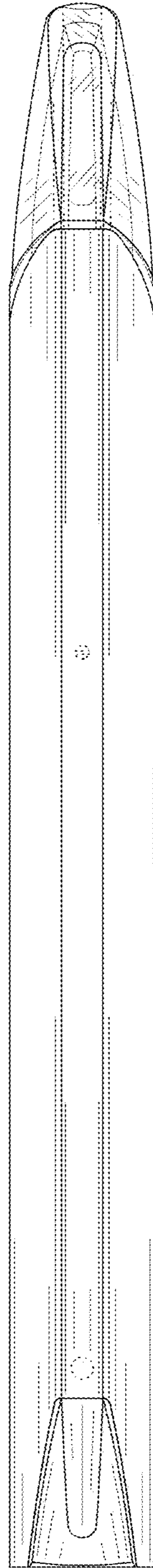


FIG. 33

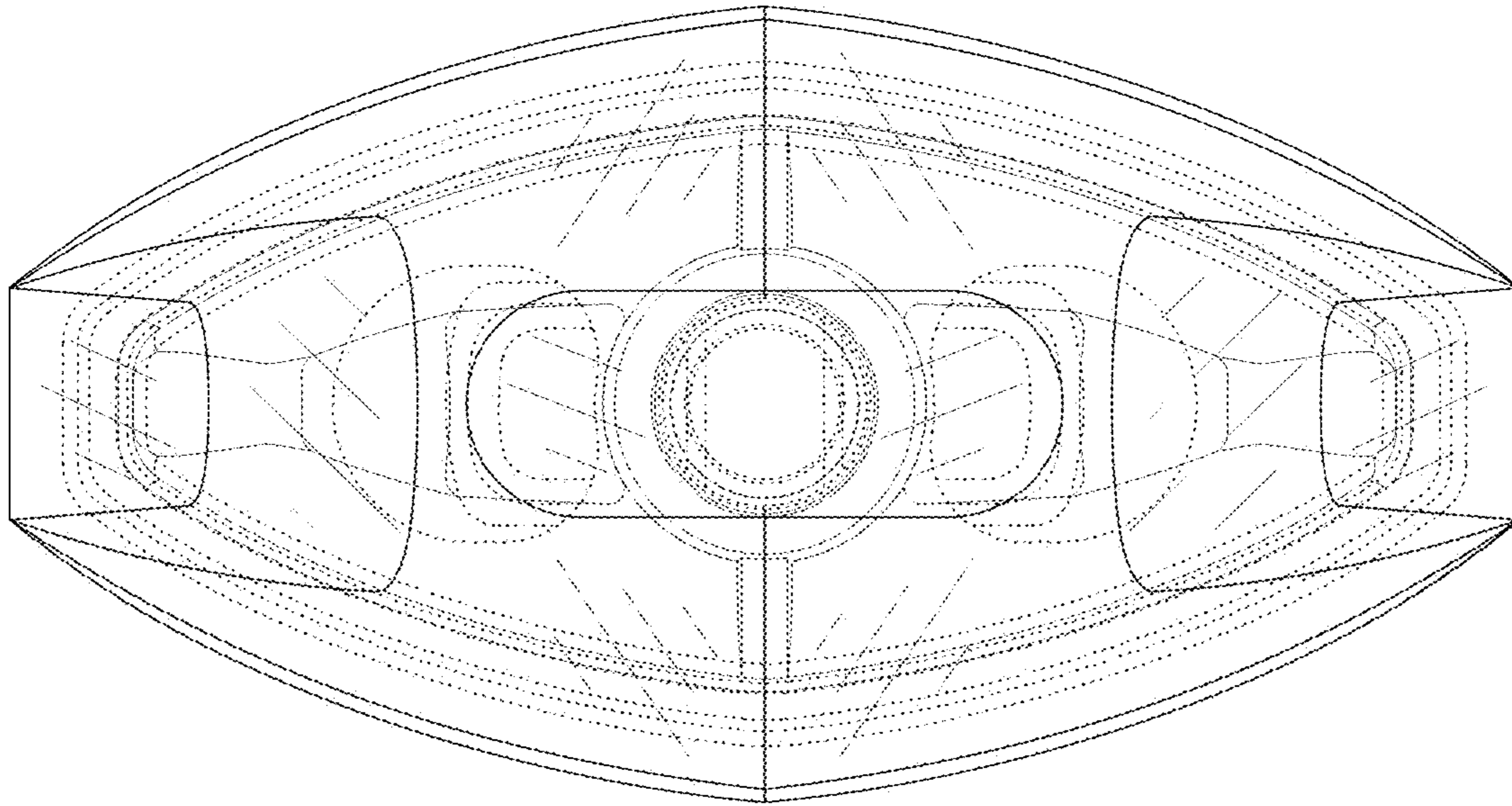


FIG. 34

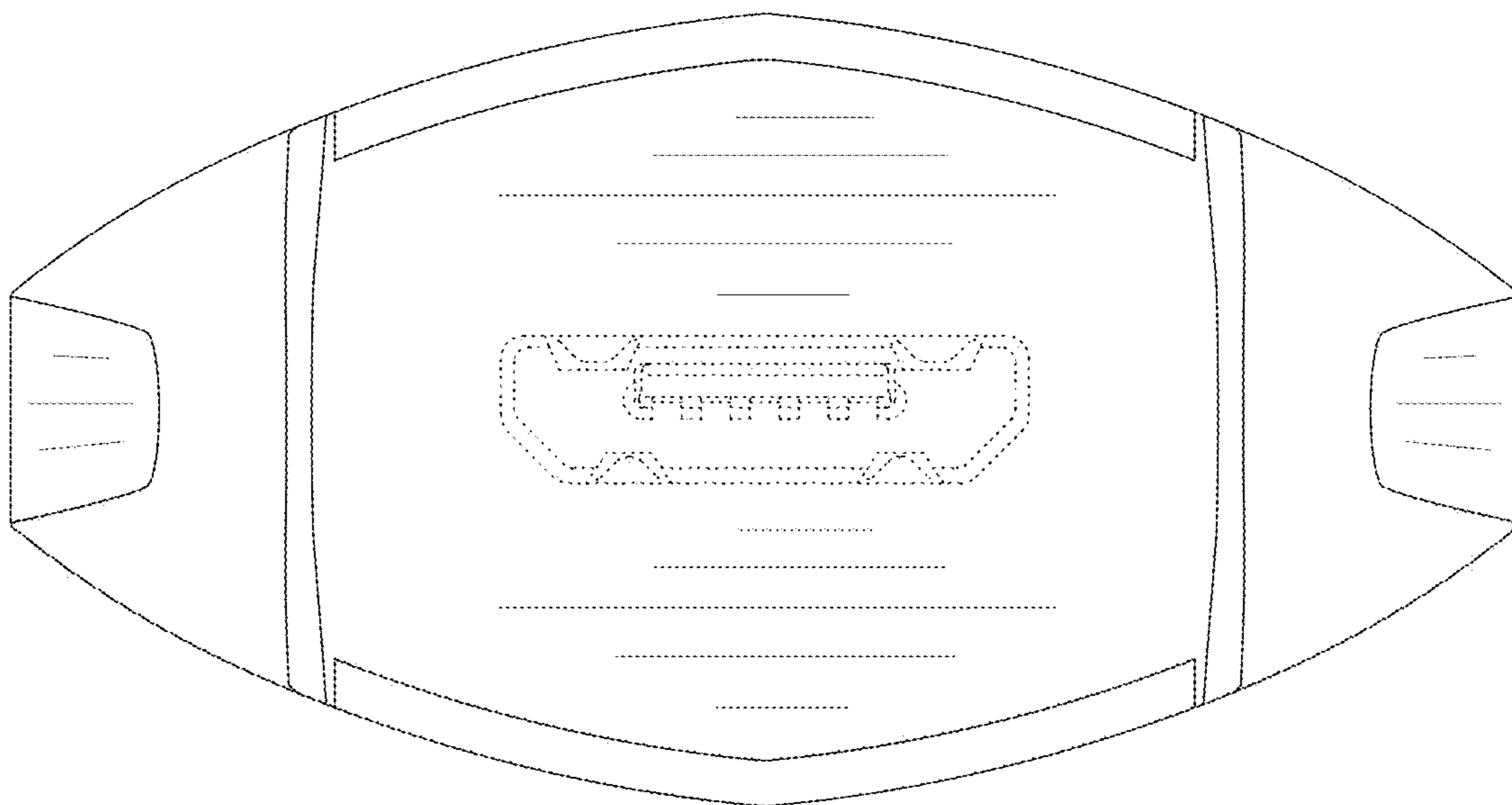


FIG. 35