



US00D914275S

(12) **United States Design Patent** (10) **Patent No.:** **US D914,275 S**
Ouyang (45) **Date of Patent:** **** Mar. 23, 2021**

(54) **ELECTRONIC CIGARETTE**
(71) Applicant: **SHENZHEN IVPS TECHNOLOGY CO., LTD.**, Shenzhen (CN)
(72) Inventor: **Junwei Ouyang**, Shenzhen (CN)
(73) Assignee: **SHENZHEN IVPS TECHNOLOGY CO., LTD.**, Guangdong (CN)
(**) Term: **15 Years**

D770,680 S * 11/2016 Bennett D27/189
D779,726 S * 2/2017 Bennett D27/189
D780,373 S * 2/2017 Bennett D27/186
D790,129 S * 6/2017 Bennett D27/189
D832,504 S * 10/2018 Qiu D27/163
D855,880 S * 8/2019 Sarsurluoglu D27/186
D857,984 S * 8/2019 Zhu D27/162
D870,961 S * 12/2019 Levinson D27/162
D876,717 S * 2/2020 Murray D27/101
D884,961 S * 5/2020 He D27/101
D889,740 S * 7/2020 Beer D27/194
D901,072 S * 11/2020 Goradesky A24F 13/12
D27/189

(21) Appl. No.: **29/689,943**

* cited by examiner

(22) Filed: **May 3, 2019**

Primary Examiner — Marissa J Cash
Assistant Examiner — Rebecca Tsehaye

(30) **Foreign Application Priority Data**

(74) *Attorney, Agent, or Firm* — IP-PAL Patent US;
Klaus Michael Schmid

Apr. 13, 2019 (CN) 201930168465.1

(51) **LOC (13) Cl.** **27-02**

(57) **CLAIM**

(52) **U.S. Cl.**
USPC **D27/162**

The ornamental design for an electronic cigarette, as shown and described.

(58) **Field of Classification Search**
USPC D27/162, 100, 101, 163–165, 172, 183,
D27/185–194; D24/110, 110.5;
128/202.21, 203.12; 131/273, 274, 270,
131/191, 328, 329, 330, 360–365;
D28/73, 78, 83
CPC A24F 47/002; A24F 47/006; A24F 47/008;
A61M 15/00; A61M 15/06; A45D 33/008
See application file for complete search history.

DESCRIPTION

(56) **References Cited**

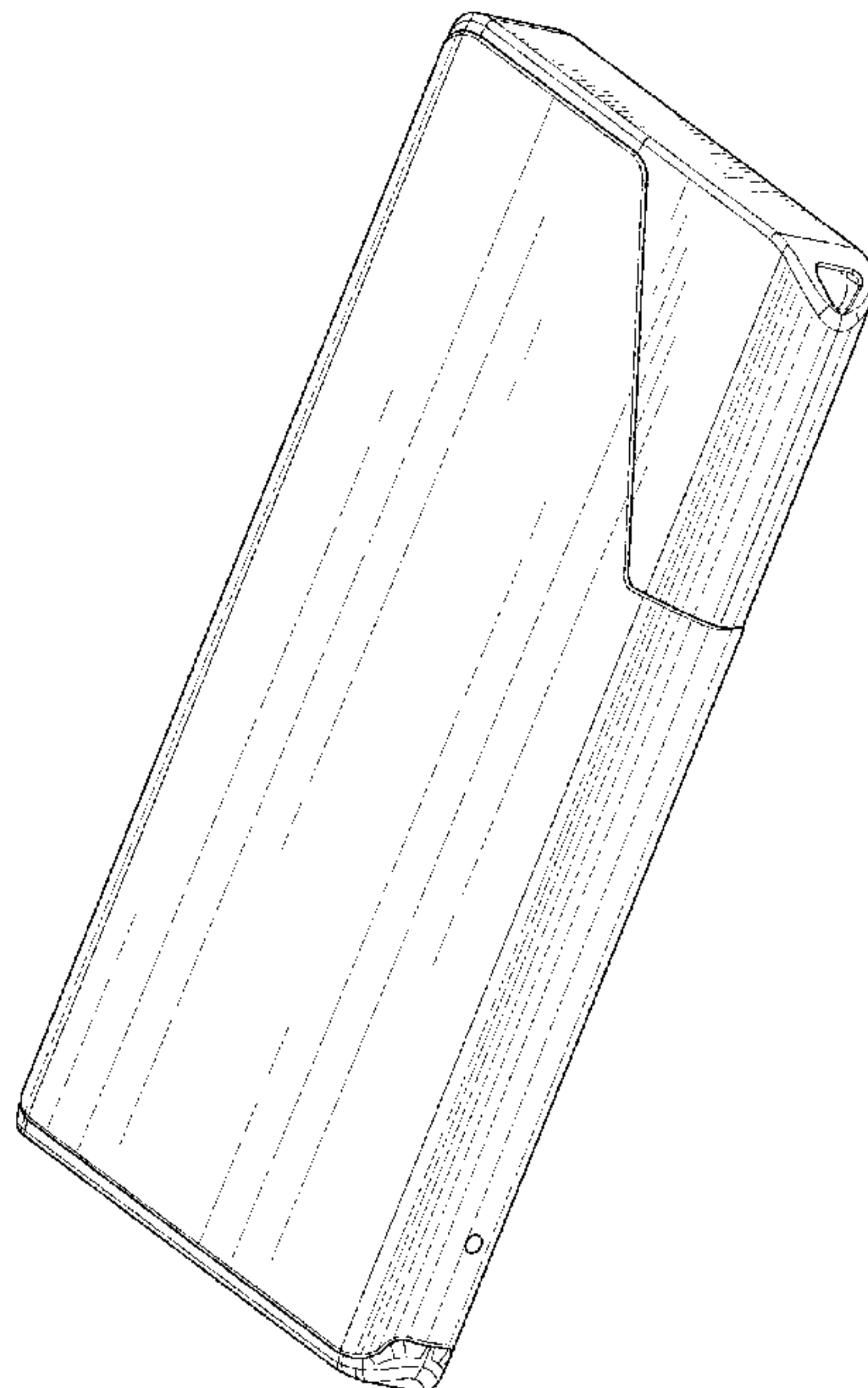
FIG. 1 is a perspective top front View of an electronic cigarette showing my design;
FIG. 2 is a perspective bottom rear View thereof;
FIG. 3 is a perspective top rear View thereof;
FIG. 4 is a front View thereof;
FIG. 5 is a rear View thereof;
FIG. 6 is a top View thereof;
FIG. 7 is a bottom thereof;
FIG. 8 is a left side View thereof; and,
FIG. 9 is a right side View thereof.

U.S. PATENT DOCUMENTS

D480,174 S * 9/2003 Draghetti D27/189
D693,054 S * 11/2013 Verleur D27/189
D736,456 S * 8/2015 Liu D27/189
D745,388 S * 12/2015 Taylor D9/418

In the drawings, the broken lines represent portions of the electronic cigarette that form no part of the claimed design.

1 Claim, 8 Drawing Sheets



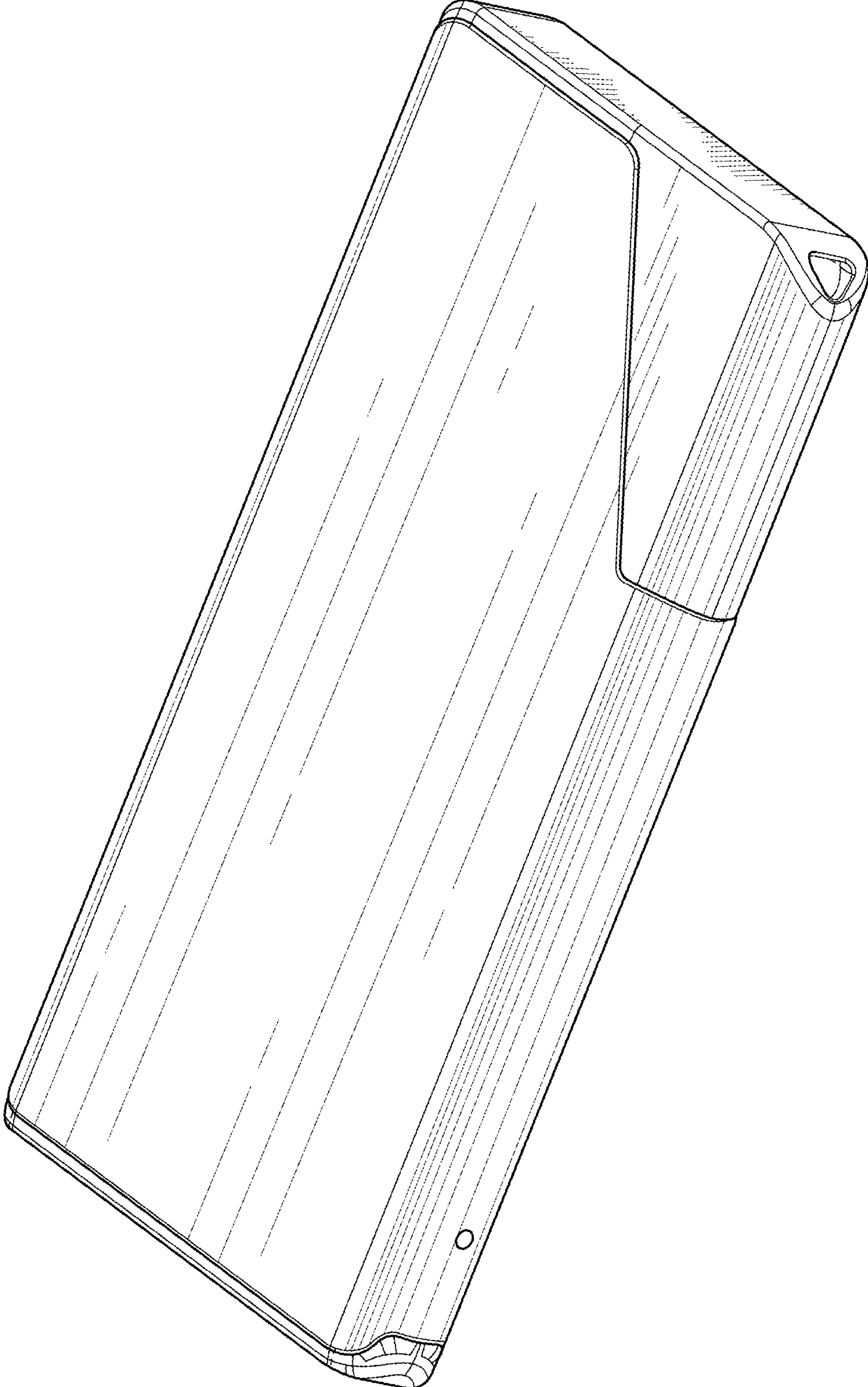


FIG. 1

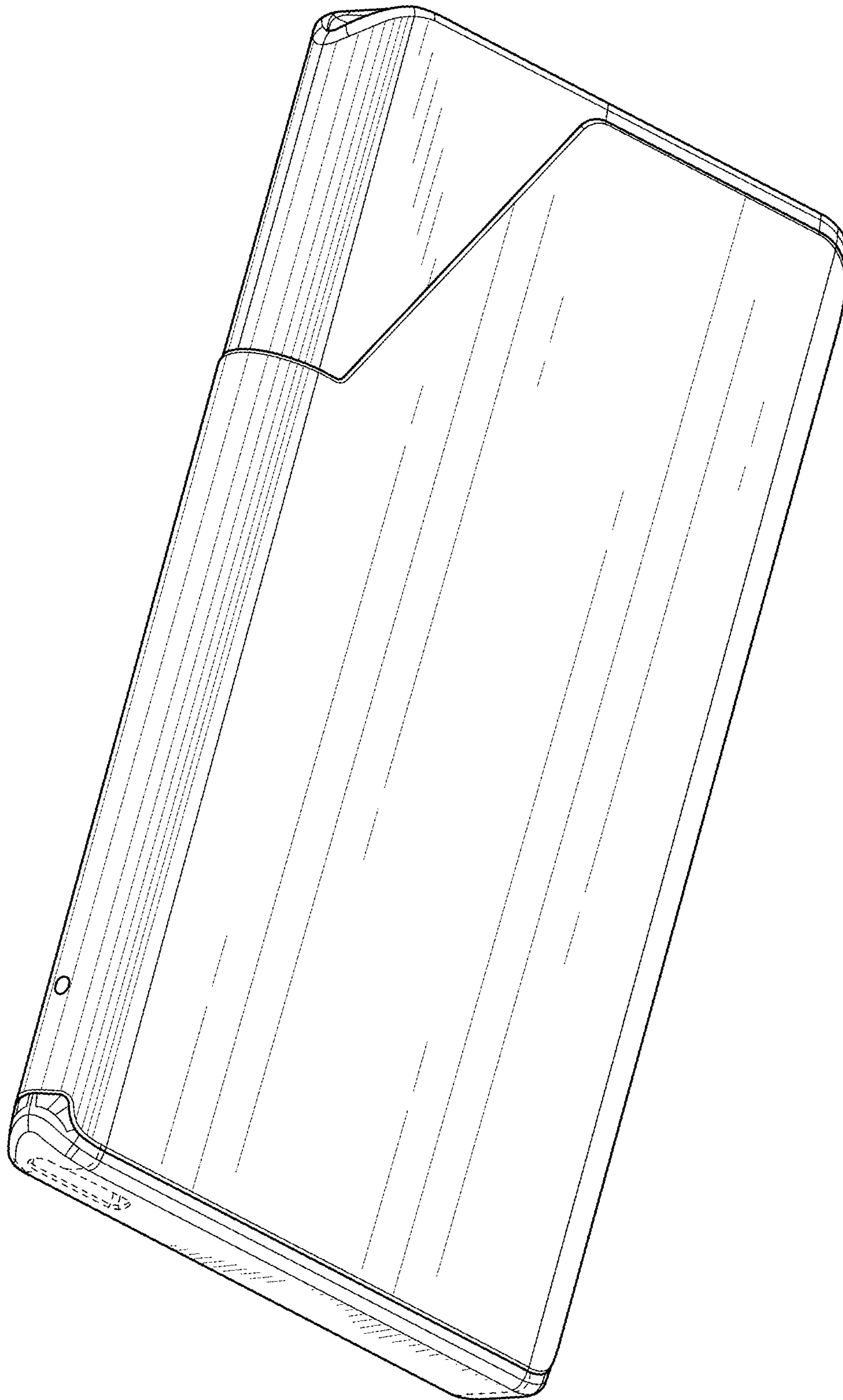


FIG. 2

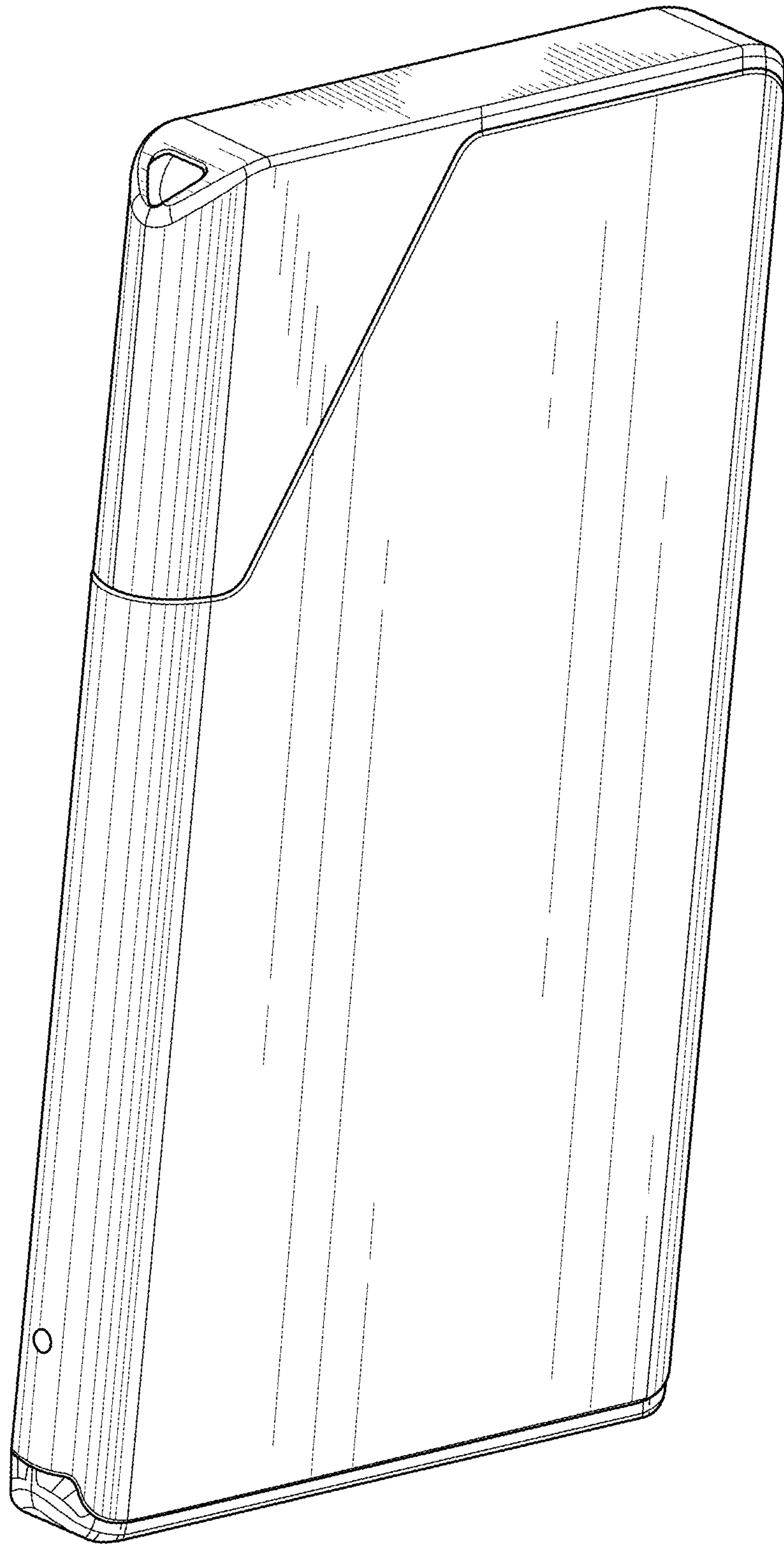


FIG. 3

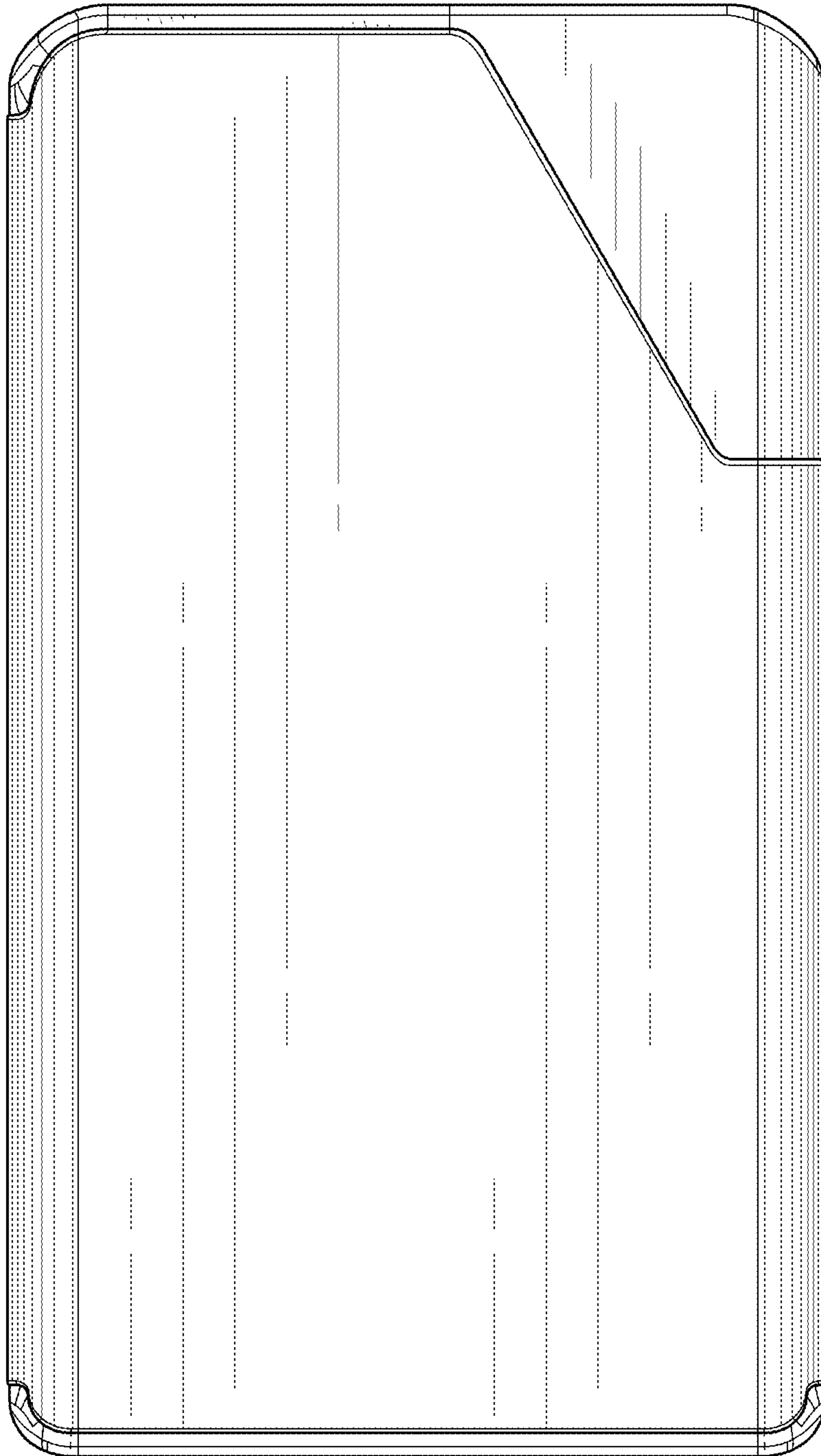


FIG. 4

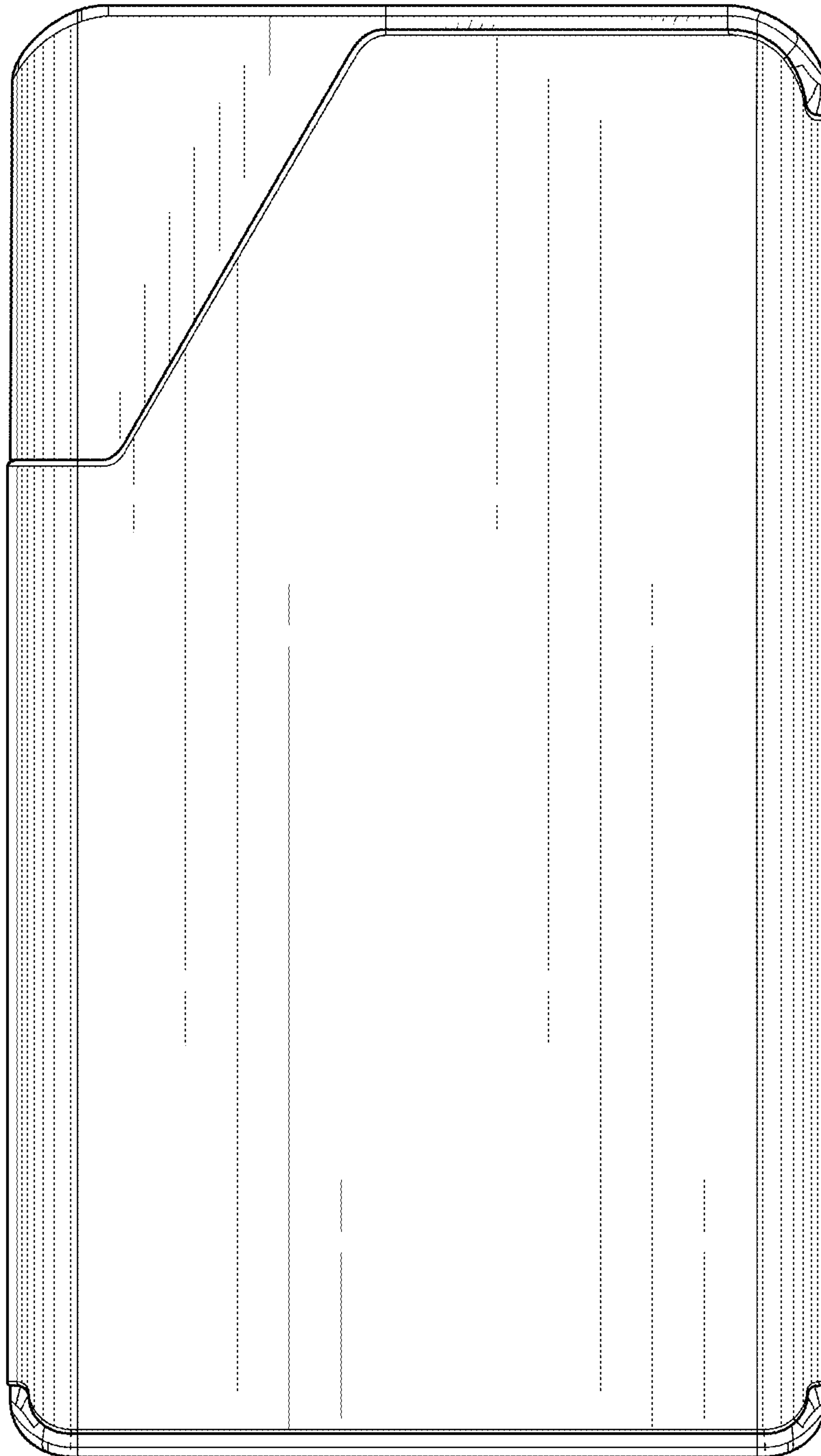


FIG. 5

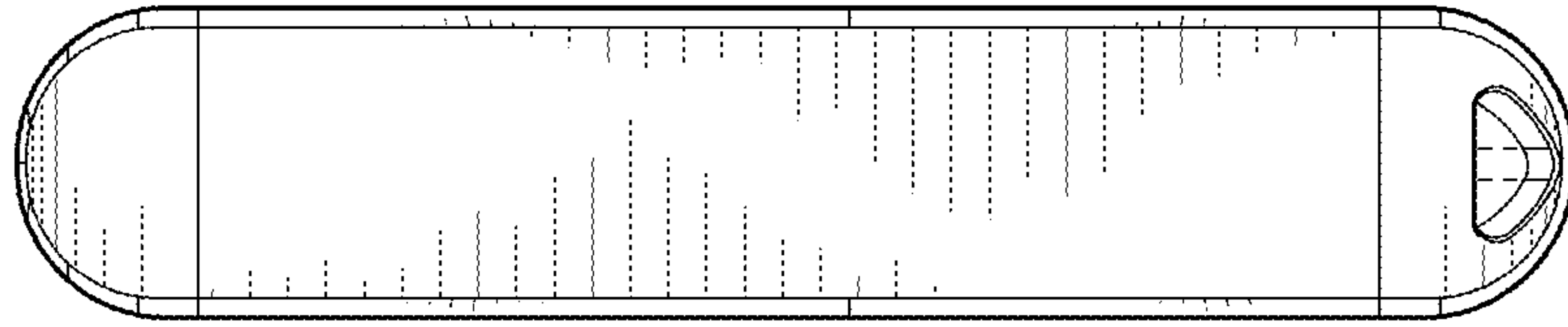


FIG. 6

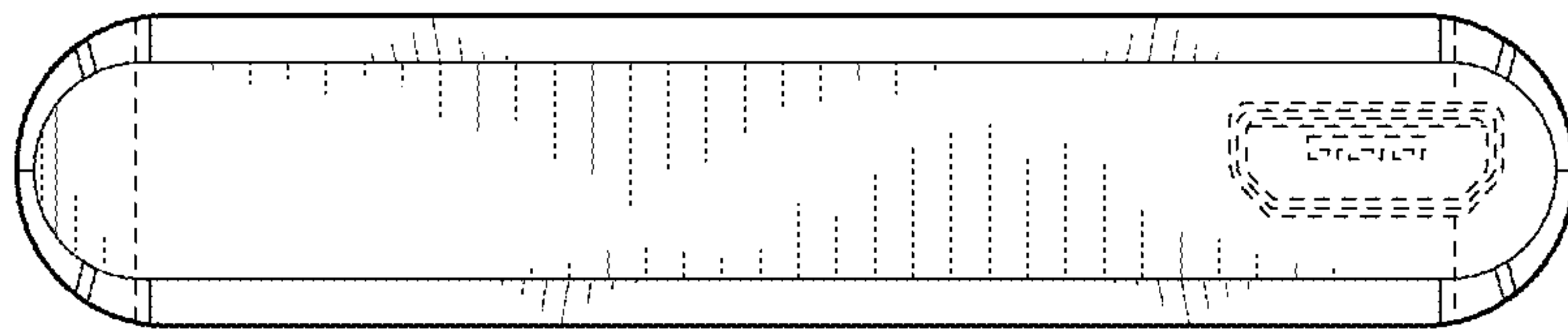


FIG. 7

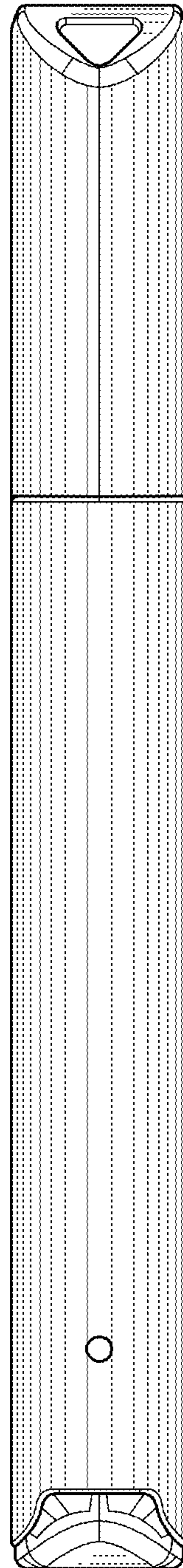


FIG. 8

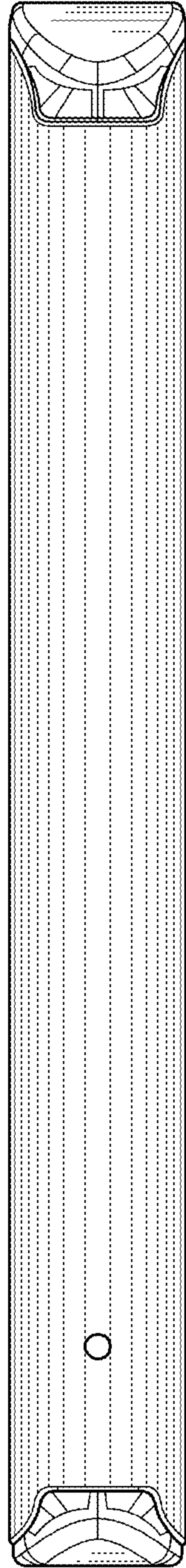


FIG. 9