



US00D914272S

(12) **United States Design Patent** (10) **Patent No.:** **US D914,272 S**  
**Bramley et al.** (45) **Date of Patent:** **\*\* Mar. 23, 2021**

(54) **SMOKING ARTICLE**  
(71) Applicant: **Altria Client Services LLC**,  
Richmond, VA (US)  
(72) Inventors: **Alistair Bramley**, Richmond, VA (US);  
**George Stafford**, Richmond, VA (US);  
**Eric Hawes**, Glen Allen, VA (US);  
**Traci Martin**, Richmond, VA (US);  
**Berina Yerkic-Husejnovic**, Richmond,  
VA (US)

3,720,235 A 3/1973 Schrock  
D229,725 S 12/1973 Berger  
D229,788 S 1/1974 Berger  
D229,789 S 1/1974 Berger  
D229,790 S 1/1974 Berger  
D375,159 S 10/1996 Johansson  
D548,086 S \* 8/2007 Conway ..... D7/300.1  
D590,990 S \* 4/2009 Hon ..... D27/101  
D638,194 S 5/2011 Lichstein  
D646,431 S 10/2011 Awty et al.  
D651,338 S 12/2011 Awty et al.  
D653,802 S \* 2/2012 Kaljura ..... D27/101  
D685,522 S 7/2013 Potter et al.

(Continued)

(73) Assignee: **Altria Client Services LLC**,  
Richmond, VA (US)

**FOREIGN PATENT DOCUMENTS**

(\*\*) Term: **15 Years**

EM 001396501-0002 12/2013

(21) Appl. No.: **29/639,721**

**OTHER PUBLICATIONS**

(22) Filed: **Mar. 8, 2018**

Brazilian Office Action dated Jun. 22, 2015 issued in corresponding  
Brazilian Application No. BR302014001907-4.

(Continued)

**Related U.S. Application Data**

(62) Division of application No. 29/562,751, filed on Apr.  
28, 2016, now Pat. No. Des. 815,340, which is a  
division of application No. 29/471,454, filed on Oct.  
31, 2013, now Pat. No. Des. 763,503.

*Primary Examiner* — Janice Hallmark  
(74) *Attorney, Agent, or Firm* — Harness, Dickey &  
Pierce, P.L.C.

(51) **LOC (13) Cl.** ..... **27-01**

(52) **U.S. Cl.**  
USPC ..... **D27/101**

(58) **Field of Classification Search**  
USPC ..... D27/101, 162-167  
CPC ..... A24F 7/00; A24F 7/02; A24F 7/04; A24F  
13/10; A24F 47/002  
See application file for complete search history.

(57) **CLAIM**  
The ornamental design for a smoking article, as shown and  
described.

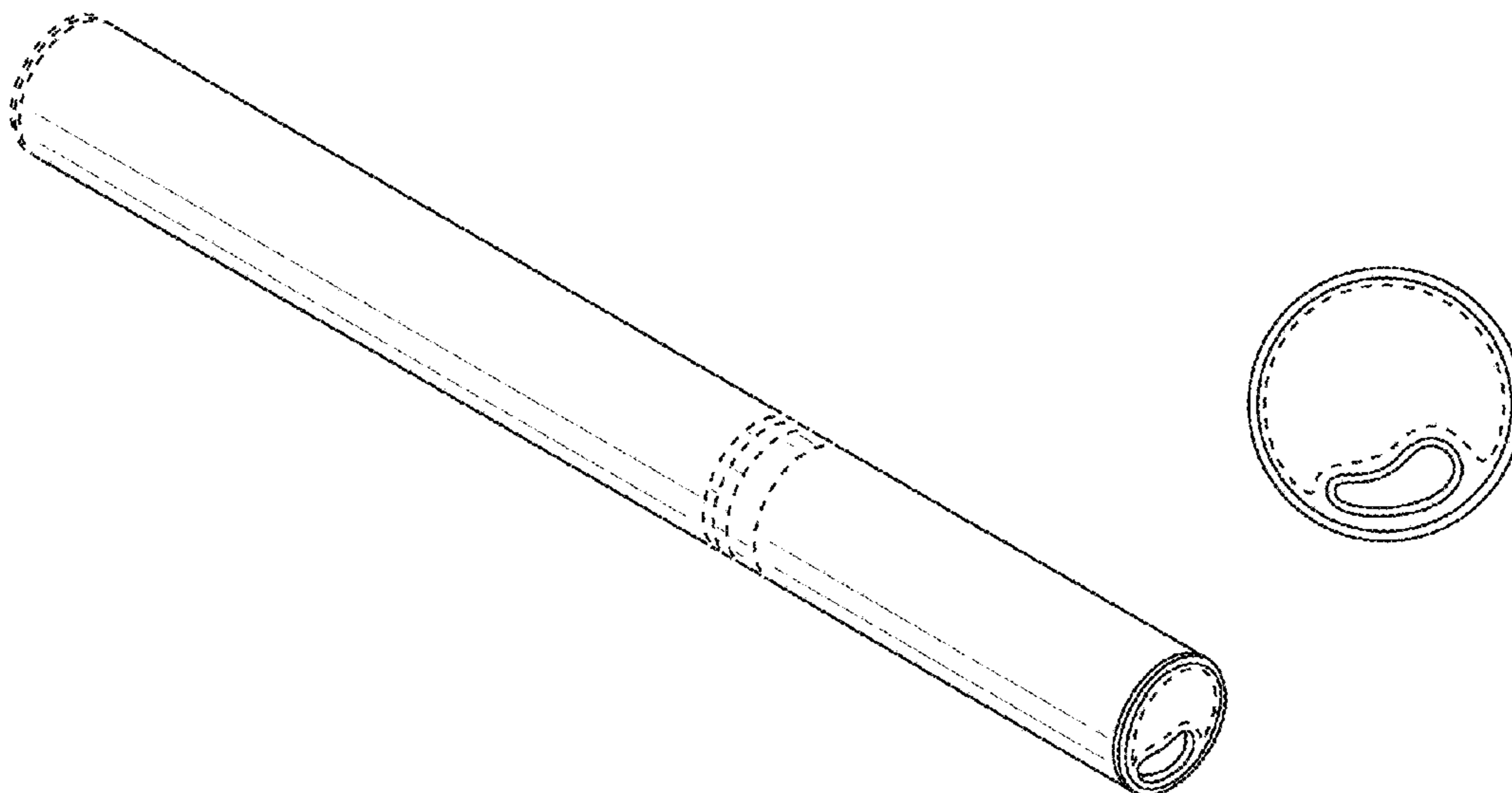
**DESCRIPTION**

FIG. 1 is a perspective view of a smoking article showing  
our new design.  
FIG. 2 is a side elevational view thereof; and,  
FIG. 3 is a right end elevational view thereof.  
The broken lines showing portions of the smoking article are  
for illustrative purposes only and form no part of the claimed  
design.

(56) **References Cited**  
U.S. PATENT DOCUMENTS

D125,122 S 2/1941 Urben  
3,396,733 A 8/1968 Allseits et al.  
3,587,573 A 6/1971 Flack  
D223,879 S 6/1972 Chemack

**1 Claim, 2 Drawing Sheets**



(56)

References Cited

U.S. PATENT DOCUMENTS

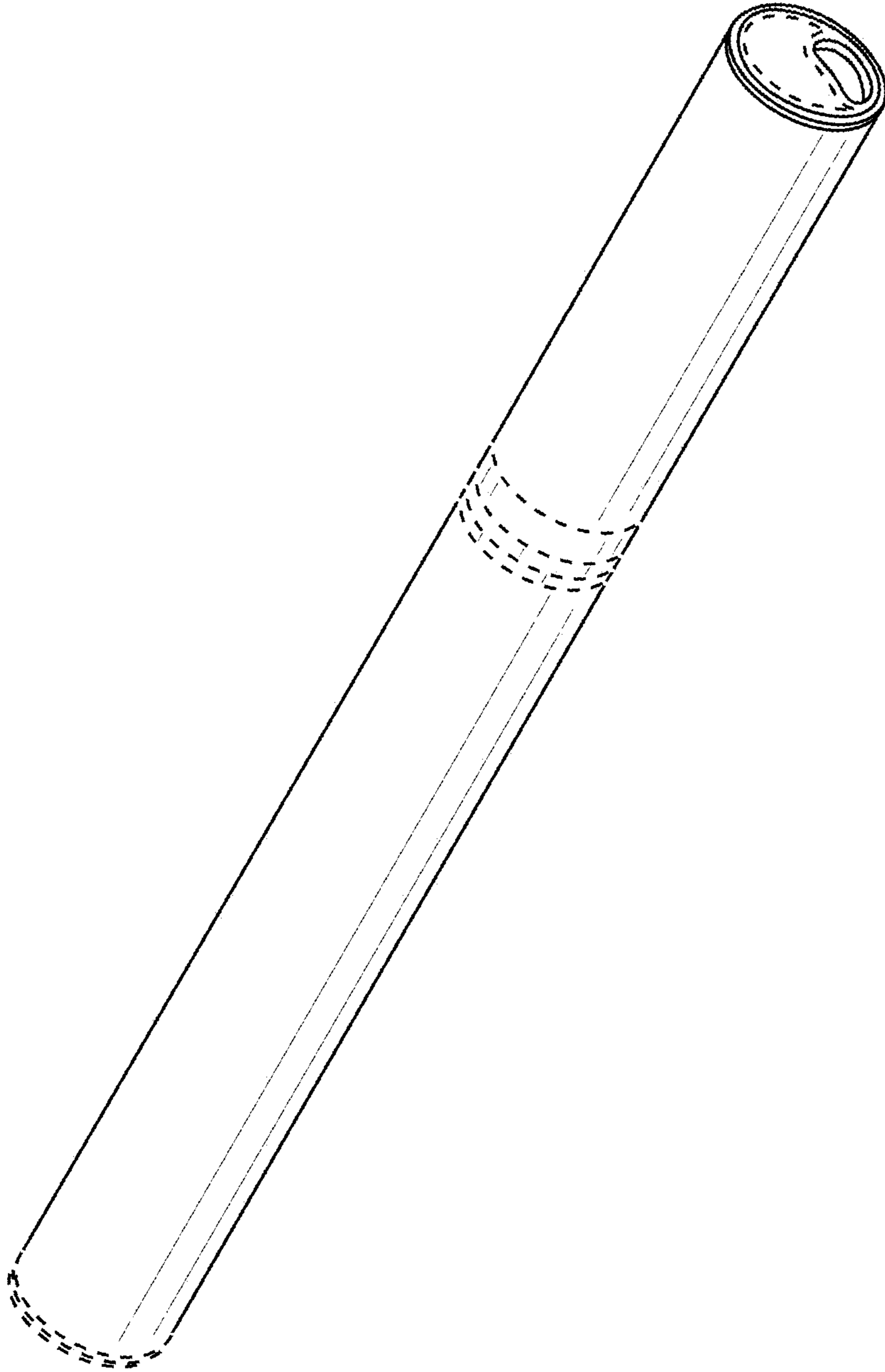
8,499,766 B1 8/2013 Newton  
 8,539,959 B1 9/2013 Scatterday  
 D691,765 S 10/2013 Tucker et al.  
 D691,766 S 10/2013 Tucker et al.  
 D692,613 S \* 10/2013 Morreale ..... D27/170  
 D695,449 S 12/2013 Tucker et al.  
 D722,196 S \* 2/2015 Tucker ..... D27/101  
 D724,262 S 3/2015 Hearn et al.  
 D724,781 S 3/2015 Hearn et al.  
 D726,364 S 4/2015 Weigensberg  
 D726,365 S 4/2015 Weigenberg  
 D728,852 S 5/2015 Hearn et al.  
 D729,439 S 5/2015 Scatterday  
 D738,036 S 9/2015 Tucker et al.  
 D738,566 S 9/2015 Tucker et al.  
 D738,567 S 9/2015 Tucker et al.  
 D743,097 S 11/2015 Tucker et al.  
 D748,323 S \* 1/2016 Tucker ..... D27/101  
 D749,780 S 2/2016 Bramley et al.  
 D754,919 S 4/2016 Alarcon et al.  
 D756,564 S 5/2016 Yerkic-Husejnovic et al.  
 D762,326 S \* 7/2016 Liu ..... D27/101  
 D763,503 S 8/2016 Bramley et al.  
 D764,702 S \* 8/2016 Di Bari ..... D27/101  
 D767,820 S 9/2016 Jordan et al.  
 D767,822 S 9/2016 Jordan et al.  
 D770,086 S \* 10/2016 Tucker ..... D27/101

D779,725 S 2/2017 Bramley et al.  
 D780,993 S 3/2017 Bramley et al.  
 D782,108 S 3/2017 Jordan et al.  
 D797,990 S \* 9/2017 Hawes ..... D27/162  
 D802,207 S \* 11/2017 Bramley ..... D27/170  
 D803,475 S \* 11/2017 Scheiber ..... D27/101  
 D815,340 S \* 4/2018 Bramley ..... D27/101  
 D821,028 S \* 6/2018 Tucker ..... D27/101  
 D825,835 S \* 8/2018 Verleur ..... D27/101  
 D827,922 S \* 9/2018 Hawes ..... D27/170  
 D834,743 S \* 11/2018 Tucker ..... D27/101  
 D841,231 S \* 2/2019 Hawes ..... D27/170  
 D844,221 S \* 3/2019 Tucker ..... D27/101  
 D849,993 S \* 5/2019 Tucker ..... D27/101  
 D852,410 S \* 6/2019 Hawes ..... D27/170  
 D857,983 S \* 8/2019 Bramley ..... D27/101  
 D870,366 S \* 12/2019 Lavanchy ..... D27/101  
 D873,480 S \* 1/2020 Hawes ..... D27/170  
 2013/0213418 A1 8/2013 Tucker et al.  
 2014/0238421 A1 8/2014 Shapiro

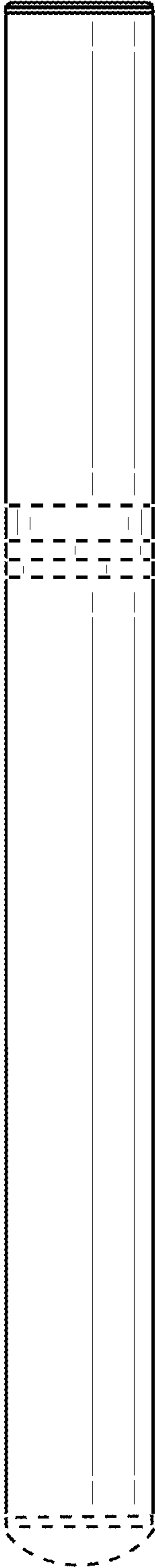
OTHER PUBLICATIONS

Website <http://ocigarrodofuturo.blogspot.com.br/2011/01/cigarro-eletronico-csec-502.html> (2011).  
 Website <http://betocarva.blogspot.com/br/2009/04/voando-com-os-ricos-%20e-amosos.html> (2009).

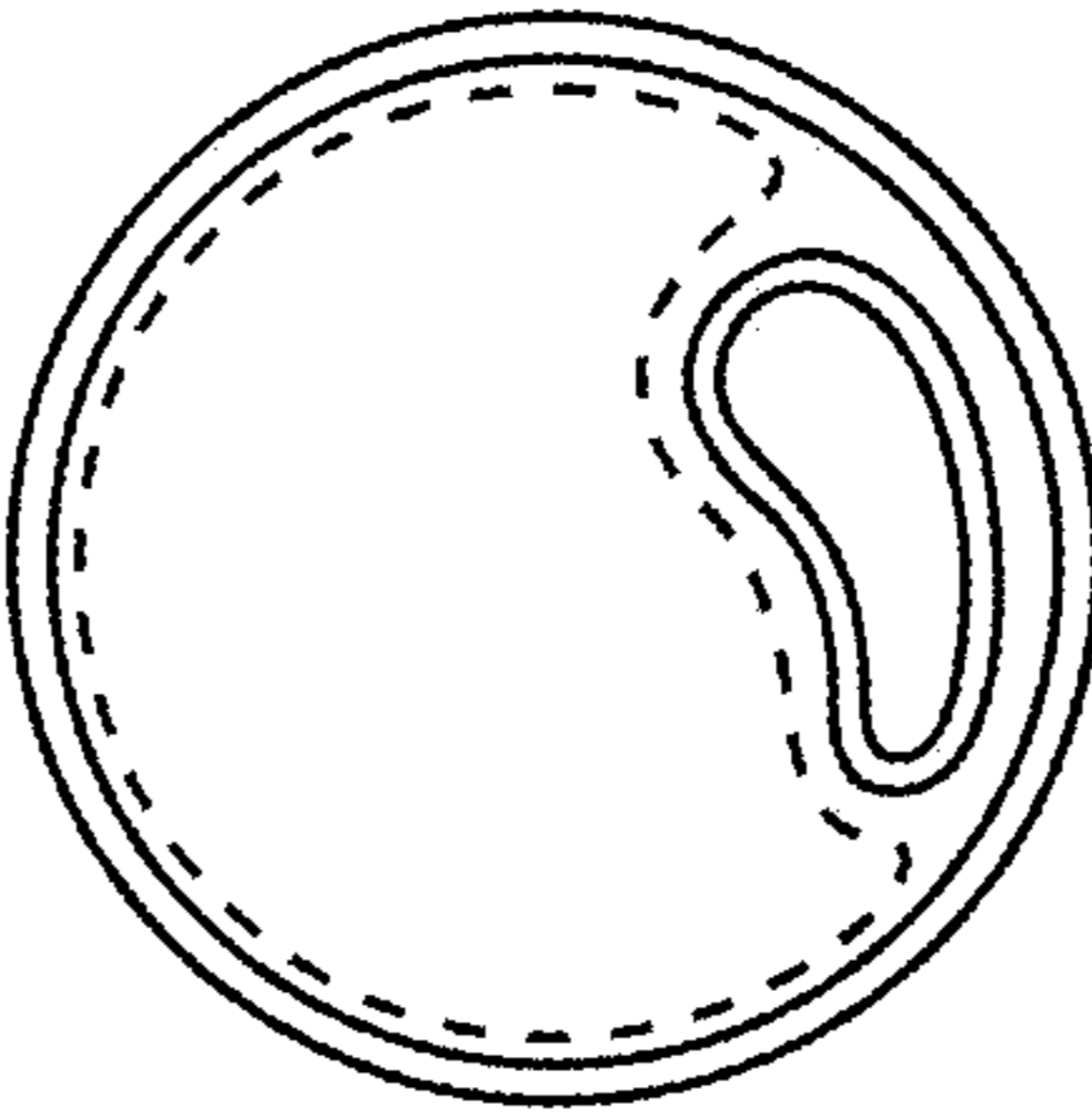
\* cited by examiner



**FIG. 1**



**FIG. 2**



**FIG. 3**