



US00D914271S

(12) **United States Design Patent**
Wang

(10) **Patent No.:** **US D914,271 S**
(45) **Date of Patent:** **** Mar. 23, 2021**

- (54) **LIGHT HOLDER**
- (71) Applicant: **Chunqing Wang**, Taizhou (CN)
- (72) Inventor: **Chunqing Wang**, Taizhou (CN)
- (**) Term: **15 Years**
- (21) Appl. No.: **29/745,144**
- (22) Filed: **Aug. 4, 2020**
- (51) **LOC (13) Cl.** **26-99**
- (52) **U.S. Cl.**
USPC **D26/138**
- (58) **Field of Classification Search**
USPC D26/25, 113, 138, 141, 142, 155
CPC F21V 21/00; H01R 13/54; H01R 11/20
See application file for complete search history.

6,241,552 B1 *	6/2001	Pan	F21S 6/001 439/575
D519,455 S	4/2006	Tufano et al.	
D533,960 S	12/2006	Flores	
D577,148 S *	9/2008	Snider	D26/138
D583,990 S	12/2008	Korpi	
D585,573 S	1/2009	Hawass	
D662,630 S	6/2012	Koskinen	
9,423,107 B2 *	8/2016	Glover	F21V 19/00

- (56) **References Cited**
U.S. PATENT DOCUMENTS
- 5,542,858 A * 8/1996 Liao F21V 21/002
439/419
- 5,547,392 A * 8/1996 Cheng F21V 21/002
439/419
- 5,552,348 A * 9/1996 Wu H01R 33/22
439/419
- 5,722,853 A * 3/1998 Hwang F21V 21/002
439/419
- 5,738,435 A * 4/1998 Lin F21V 21/002
362/249.01
- 6,116,944 A * 9/2000 Tseng H01R 4/2406
439/419

OTHER PUBLICATIONS

<https://www.amazon.com/dp/B07W7C9MHP>; Aug. 16, 2019.

* cited by examiner

Primary Examiner — Brian N. Vinson
(74) *Attorney, Agent, or Firm* — Rumit Ranjit Kanakia

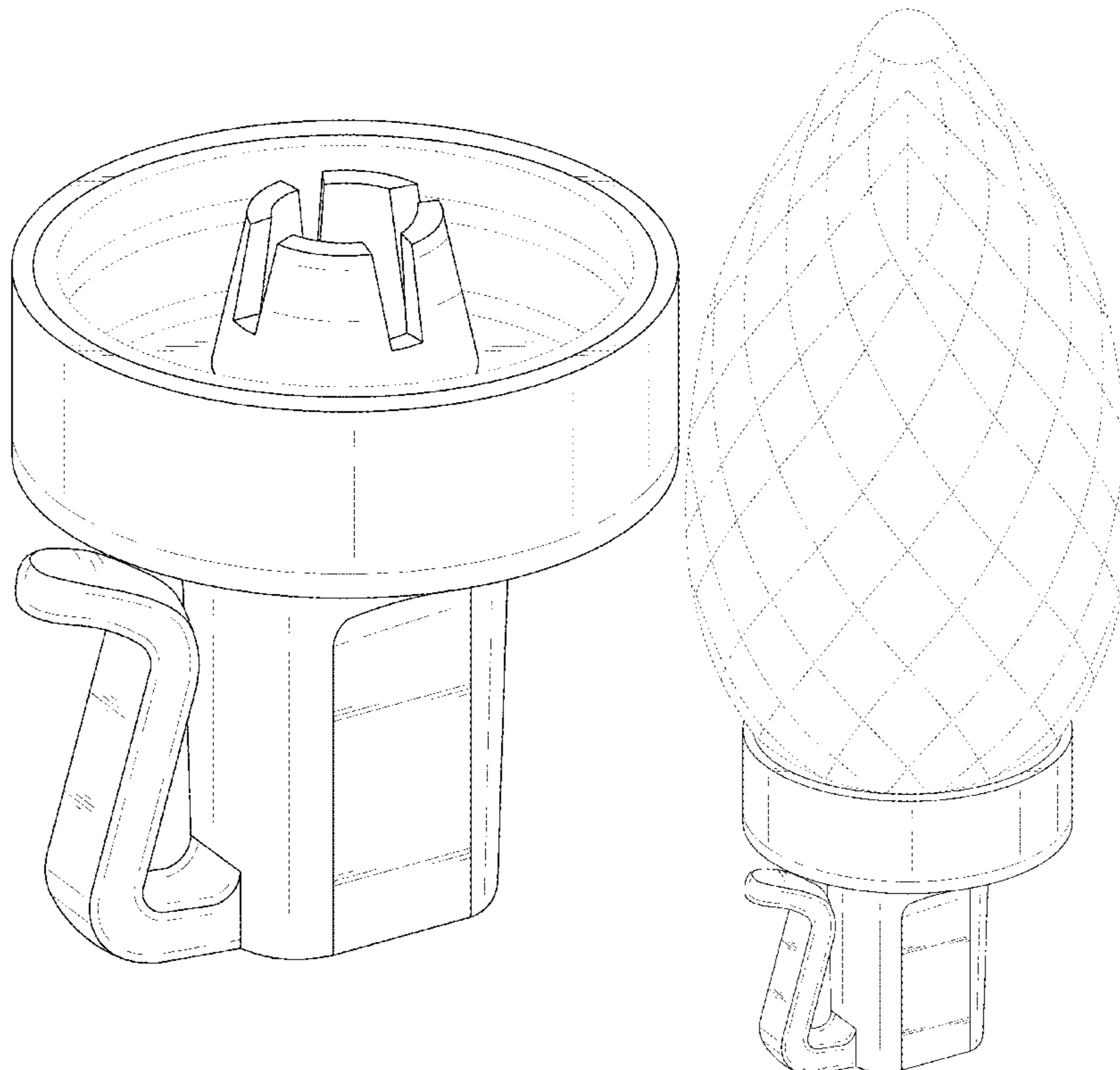
(57) **CLAIM**

I claim the ornamental design for a light holder, as shown and described.

DESCRIPTION

FIG. 1 is a Perspective view of a light holder showing my new design;
FIG. 2 is a Front view thereof;
FIG. 3 is a Back view thereof;
FIG. 4 is a Right-side view thereof;
FIG. 5 is a Left-side view thereof;
FIG. 6 is a Top view thereof;
FIG. 7 is a Bottom view thereof; and,
FIG. 8 is other perspective view thereof.
The broken lines are for the purpose of illustrating portions of the article that form no part of the claim.

1 Claim, 8 Drawing Sheets



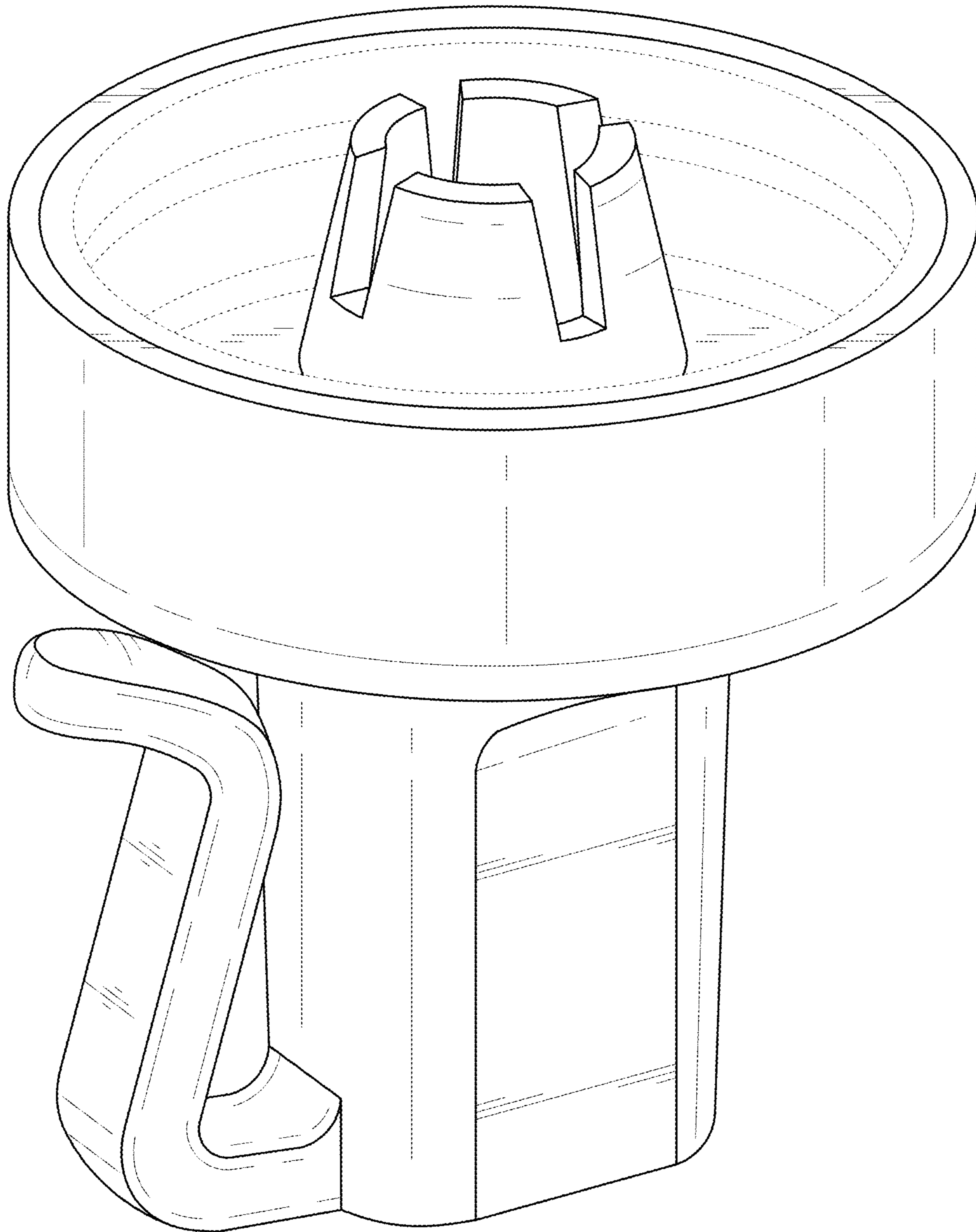


FIG. 1

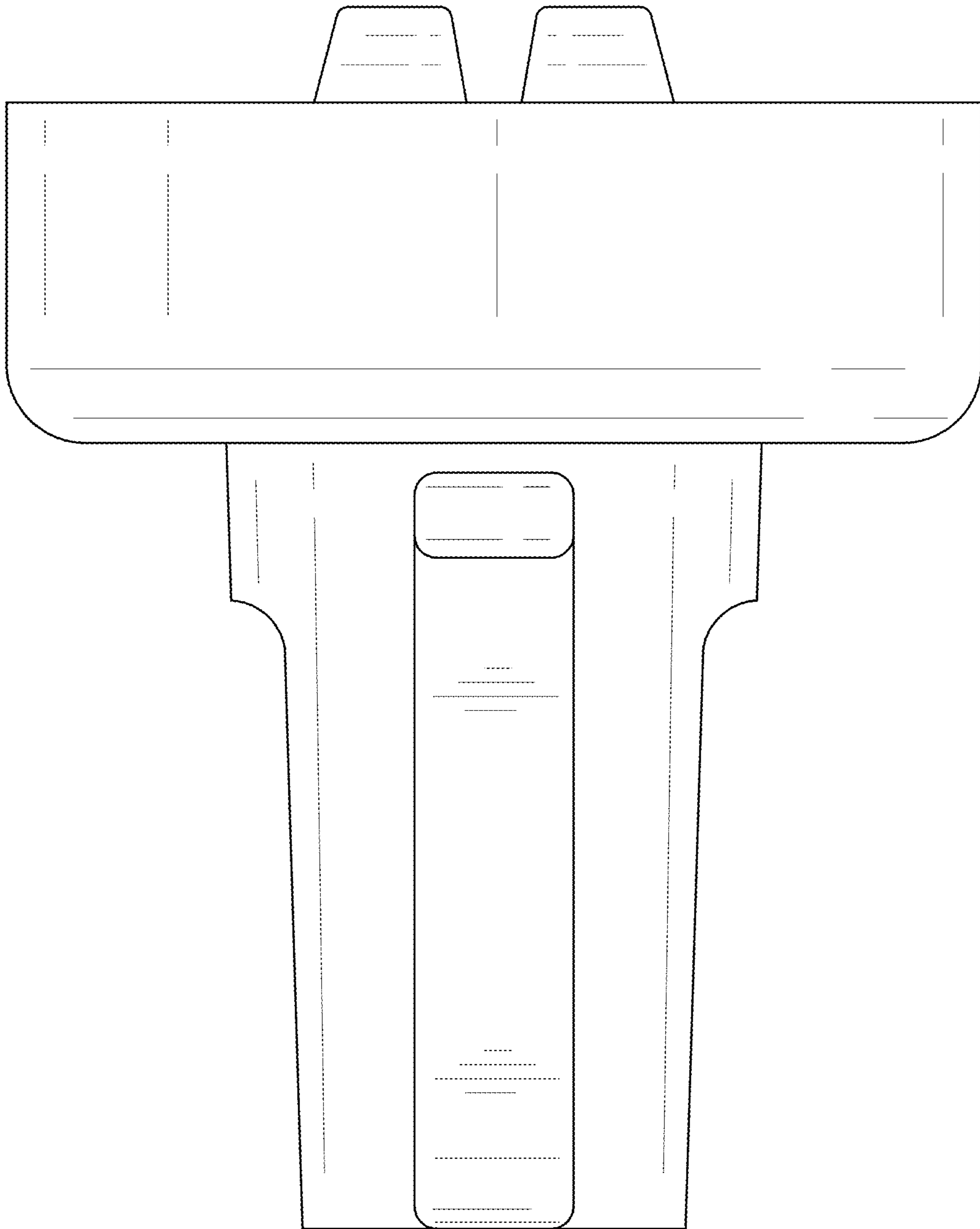


FIG. 2

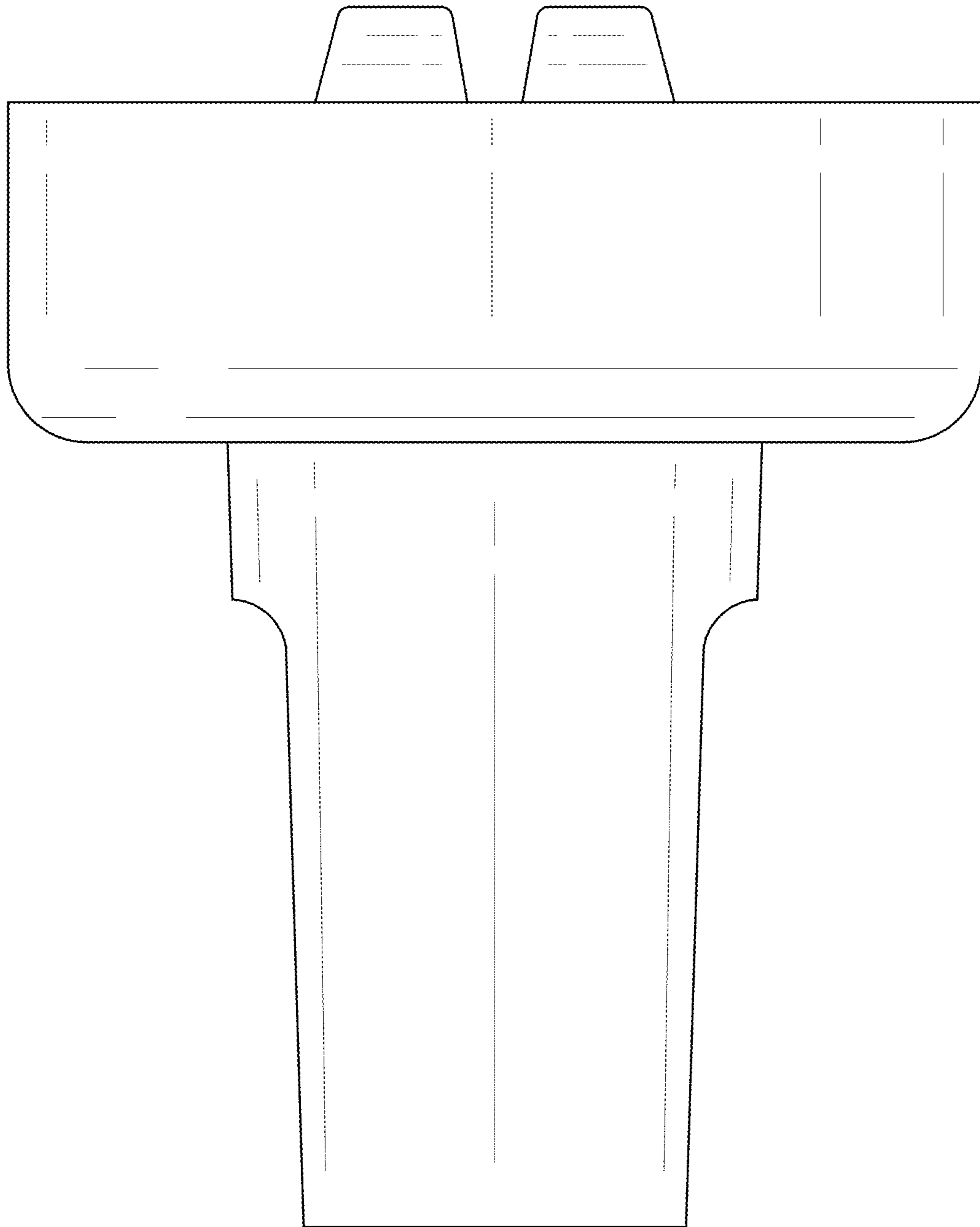


FIG. 3

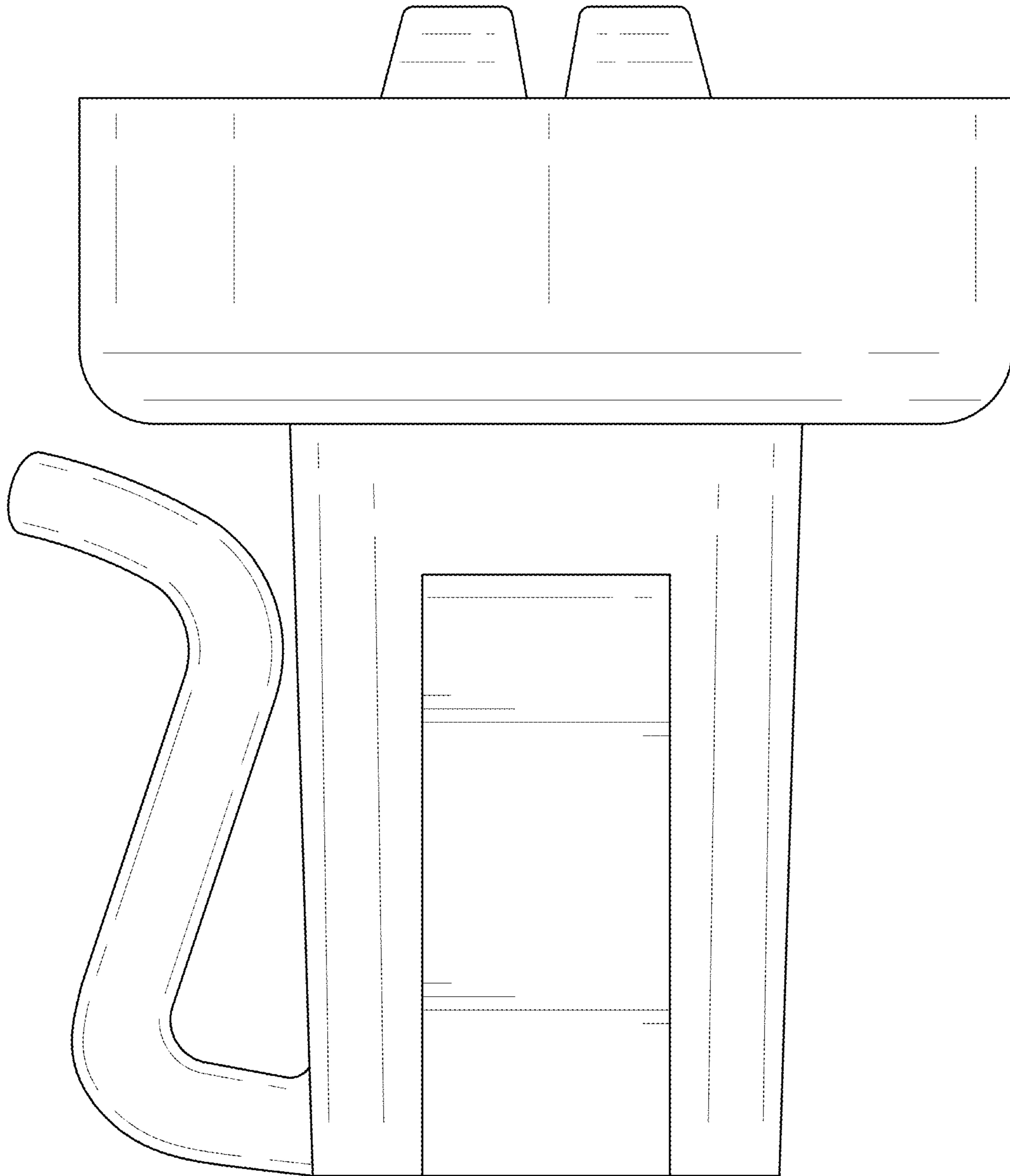


FIG. 4

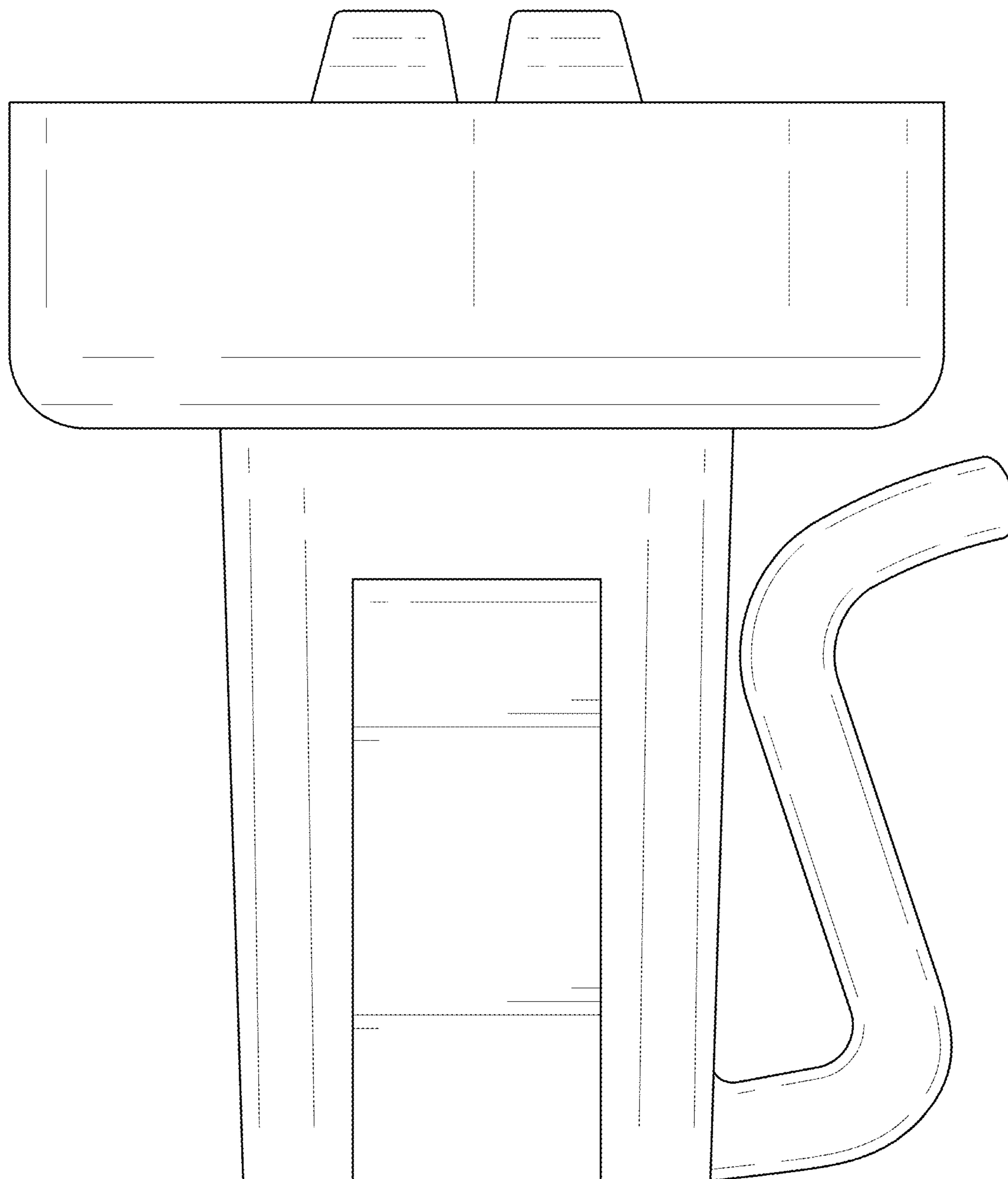


FIG. 5

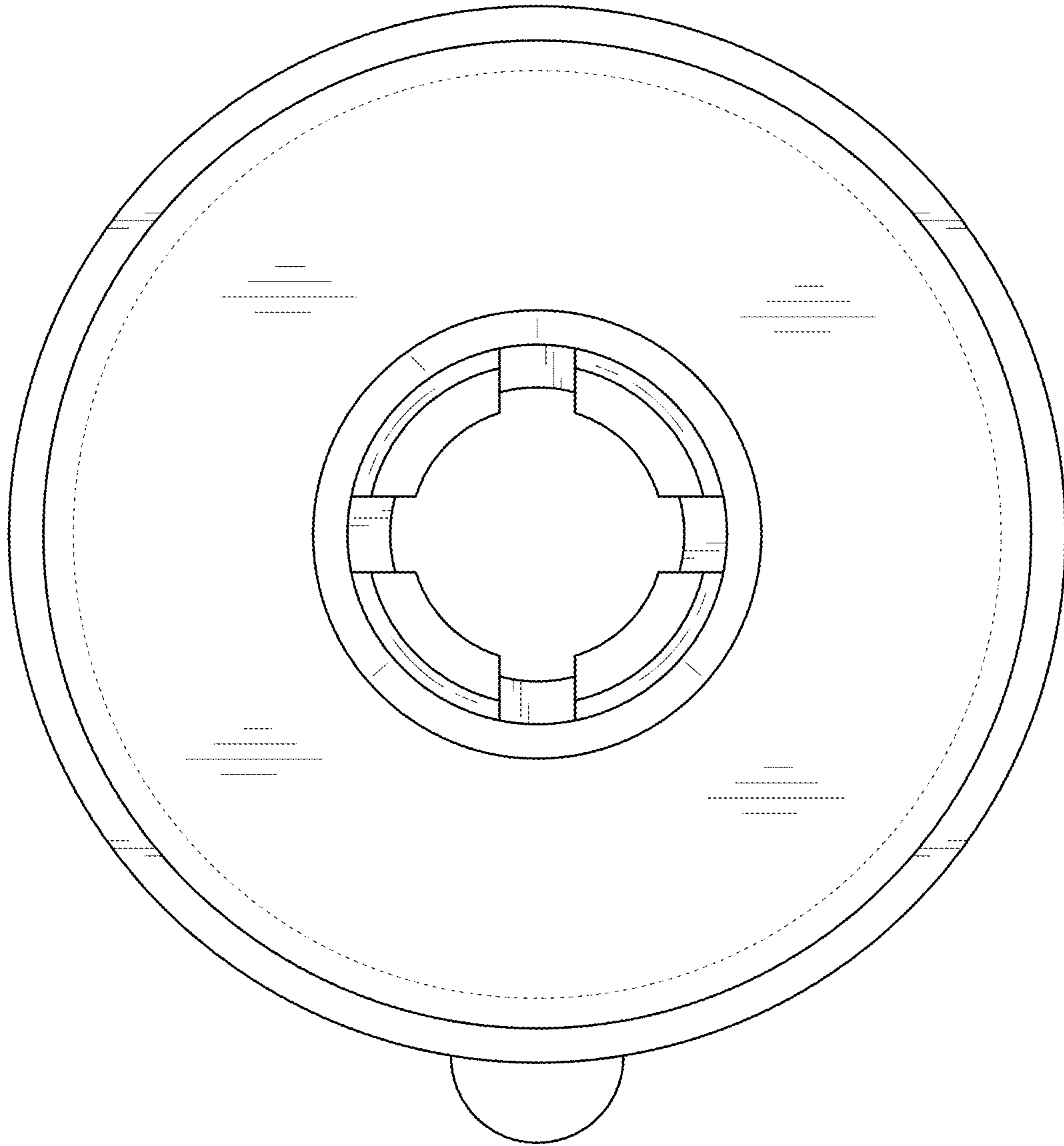


FIG. 6

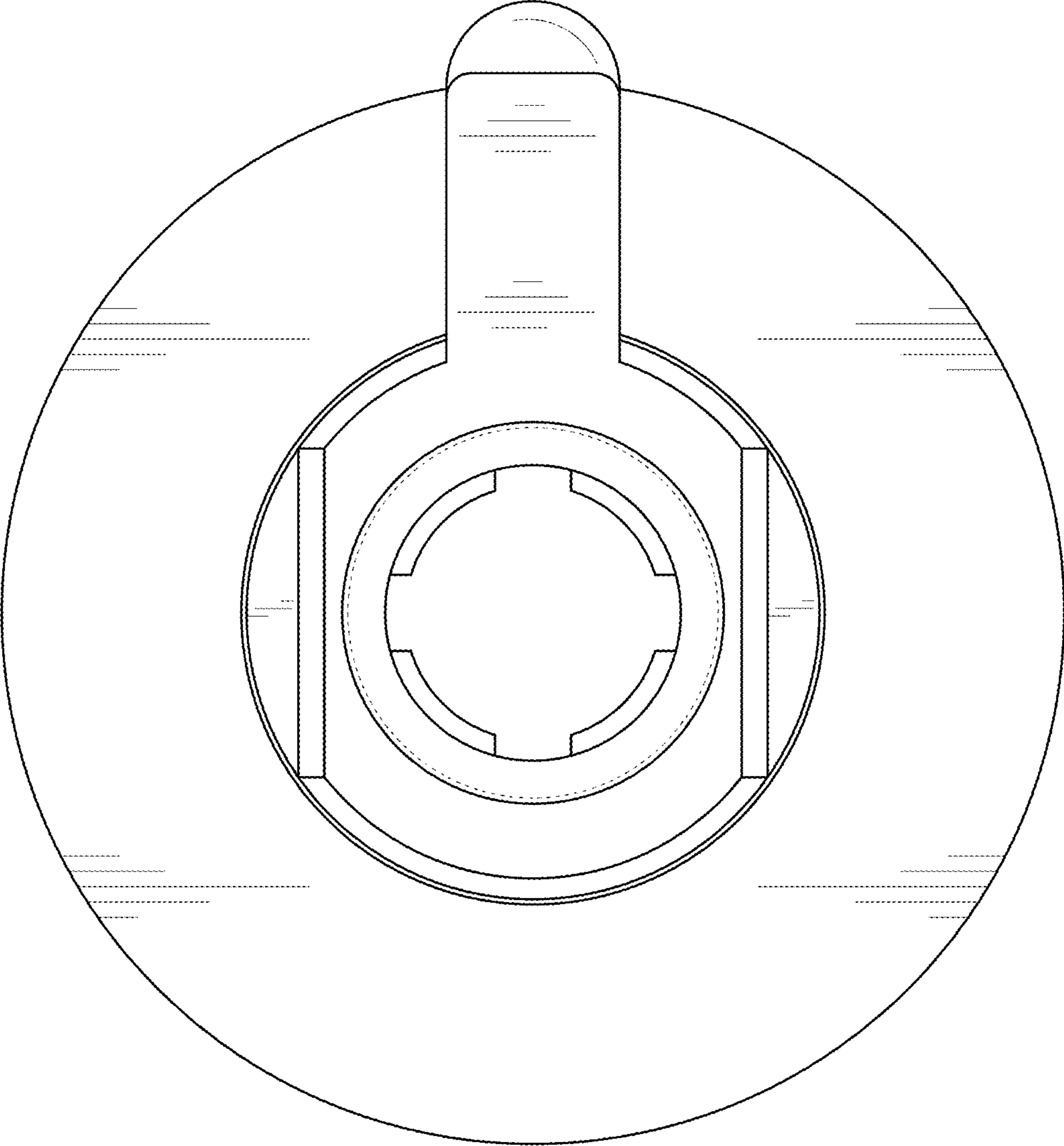


FIG. 7

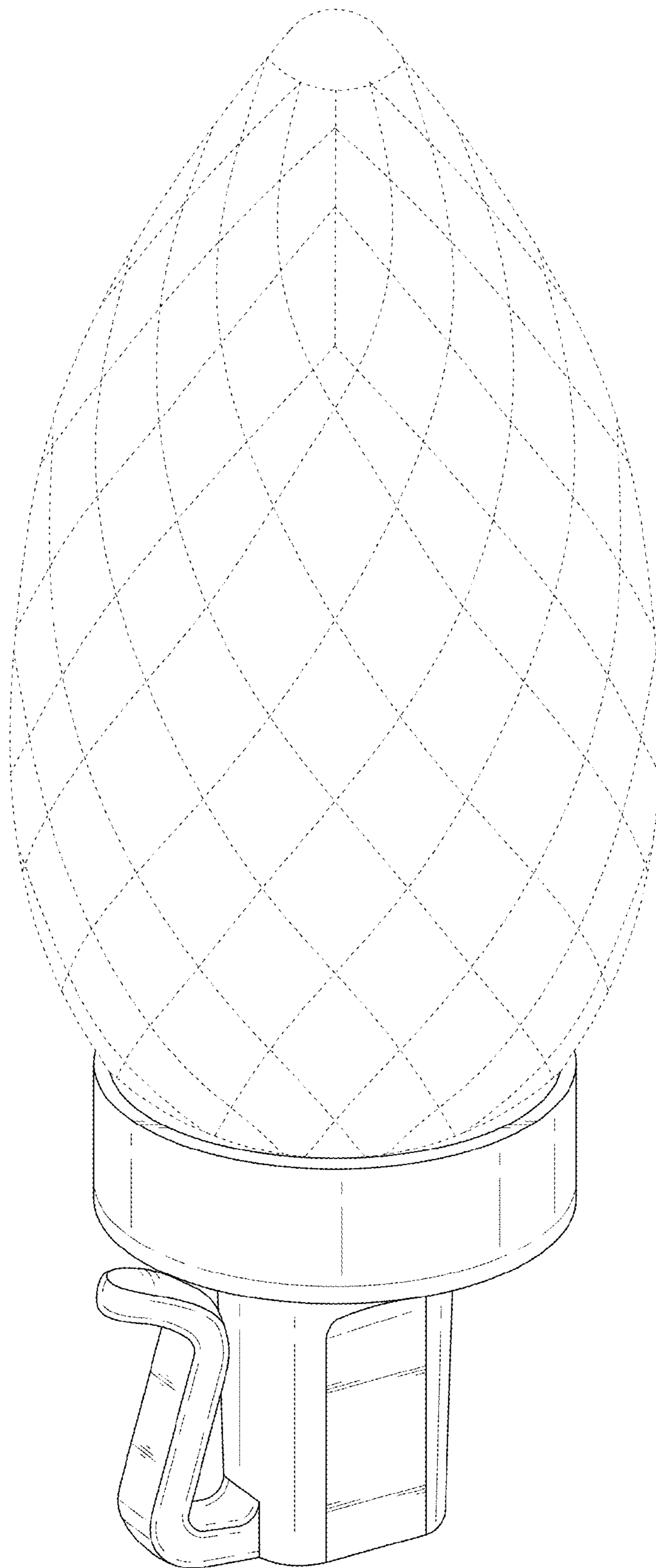


FIG. 8