



US00D914269S

(12) **United States Design Patent** (10) **Patent No.:** **US D914,269 S**  
**Anastassiades** (45) **Date of Patent:** **\*\* Mar. 23, 2021**

(54) **CEILING LIGHT**  
(71) Applicant: **FLOS S.P.A.**, Bovezzo (IT)  
(72) Inventor: **Michael Anastassiades**, Brescia (IT)  
(73) Assignee: **FLOS S.p.A.**, Bovezzo (IT)  
(\*\*) Term: **15 Years**  
(21) Appl. No.: **35/508,145**  
(22) Filed: **Sep. 18, 2019**  
(80) **Hague Agreement Data**  
Int. Filing Date: **Sep. 18, 2019**  
Int. Reg. No.: **DM/204918**  
Int. Reg. Date: **Sep. 18, 2019**  
Int. Reg. Pub. Date: **Dec. 20, 2019**

D775,757 S *	1/2017	Anastassiades	.....	D26/88
D778,485 S *	2/2017	Jasper	.....	D26/93
D780,982 S *	3/2017	Starck	.....	D26/110
D789,593 S *	6/2017	Morrison	.....	D26/118
D793,611 S *	8/2017	Goorsenberg	.....	D26/88
D810,990 S *	2/2018	Sempe	.....	D26/88
D846,789 S *	4/2019	Barber	.....	D26/88
D851,323 S *	6/2019	Barber	.....	D26/93
D866,044 S *	11/2019	Anastassiades	.....	D26/88
D869,743 S *	12/2019	Sonneman	.....	D26/138
D869,744 S *	12/2019	Sonneman	.....	D26/138
D876,707 S *	2/2020	Tang	.....	D26/110
D878,662 S *	3/2020	Schuyler	.....	D26/88
D892,384 S *	8/2020	Keim	.....	D26/88
D893,794 S *	8/2020	Kelley	.....	D26/110
D898,979 S *	10/2020	Silver	.....	D26/88

\* cited by examiner

*Primary Examiner* — Natasha Vujcic  
(74) *Attorney, Agent, or Firm* — Thomas | Horstemeyer, LLP

(30) **Foreign Application Priority Data**  
Apr. 5, 2019 (IT) ..... 402019000000690  
(51) **LOC (13) Cl.** ..... **26-05**  
(52) **U.S. Cl.**  
USPC ..... **D26/88**  
(58) **Field of Classification Search**  
USPC ..... D26/63, 72, 74, 76, 78–83, 85, 86, 88,  
D26/90, 93, 111, 113, 118, 119, 120, 121,  
D26/122, 138, 139, 140, 141, 142, 152  
CPC ..... F21S 2/00; F21S 4/00; F21S 4/003; F21S  
4/005; F21S 4/006; F21S 4/007; F21S  
4/008; F21S 6/00; F21S 8/00; F21S  
8/024; F21S 8/026; F21S 8/031; F21S  
8/033; F21S 8/035–037; F21S 8/04; F21S  
8/043; F21S 8/063  
See application file for complete search history.

(57) **CLAIM**

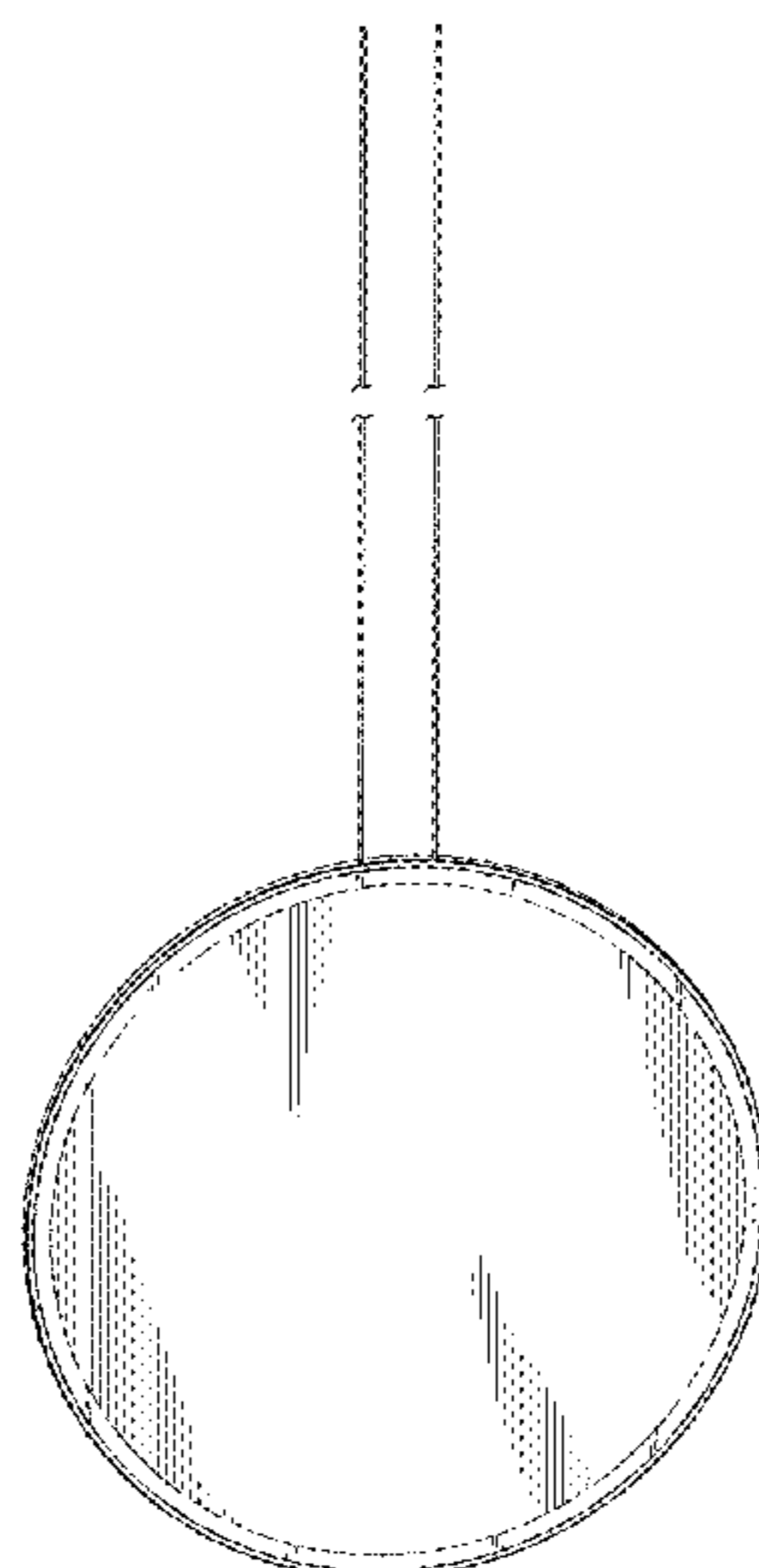
The ornamental design for a ceiling light, as shown and described.

**DESCRIPTION**

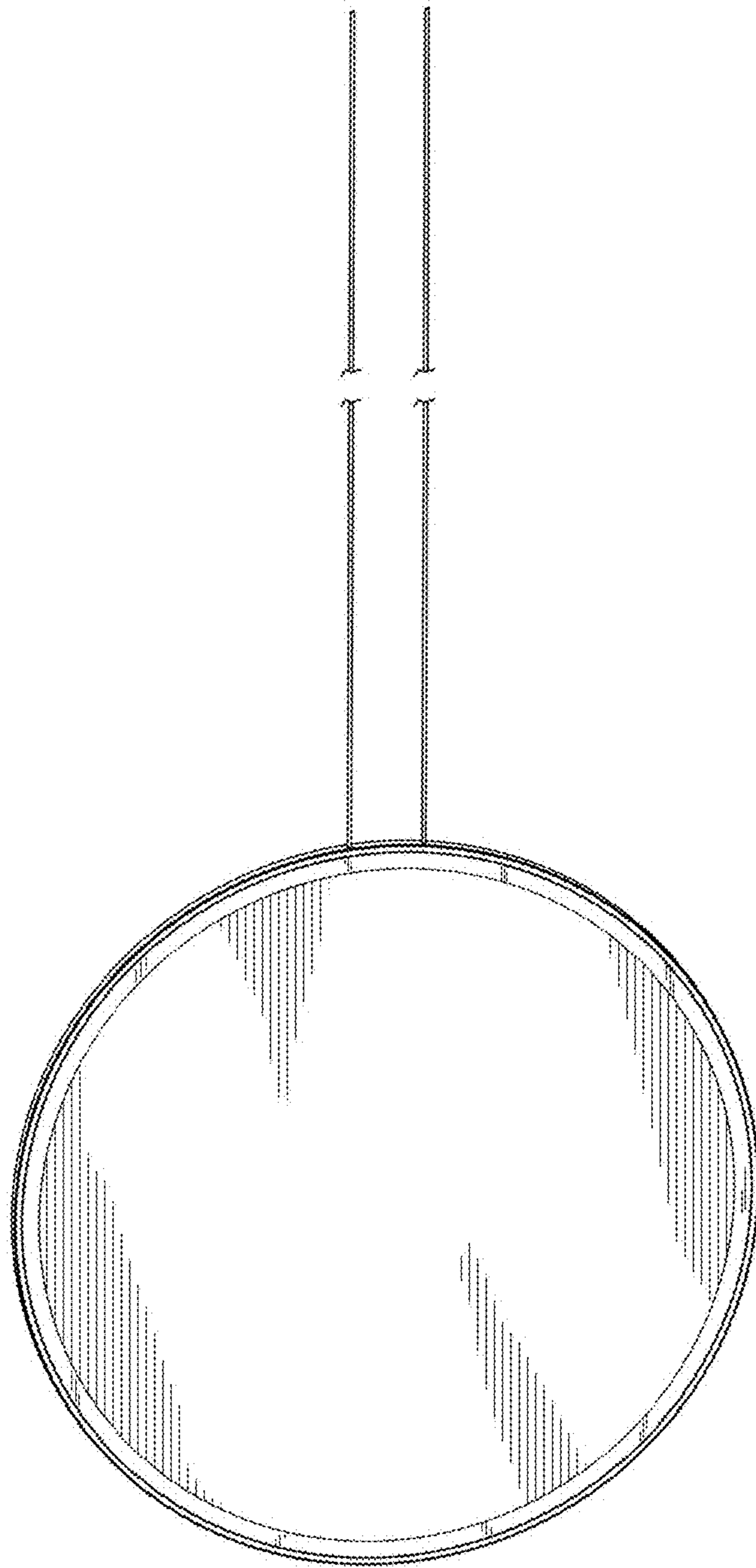
1. Ceiling light  
Fig. 1.1 is a perspective view of the model;  
fig. 1.2 is a right view thereof;  
fig. 1.3 is a left view thereof;  
fig. 1.4 is a front view thereof;  
fig. 1.5 is a rear view thereof;  
fig. 1.6 is a top view thereof;  
fig. 1.7 is a bottom view thereof.  
The break lines in the drawings indicate that the appearance of any portion of the ceiling light between the break lines forms no part of the claimed design.

**1 Claim, 7 Drawing Sheets**

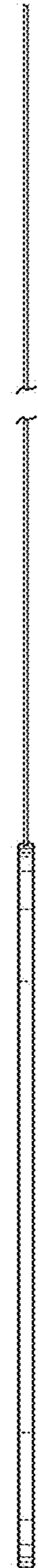
(56) **References Cited**  
U.S. PATENT DOCUMENTS  
D614,340 S \* 4/2010 Thun ..... D26/88  
D751,235 S \* 3/2016 Sonneman ..... D26/88



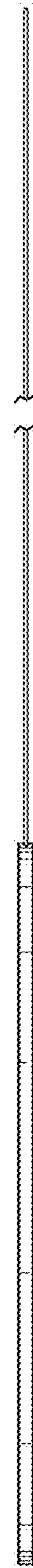
1.1



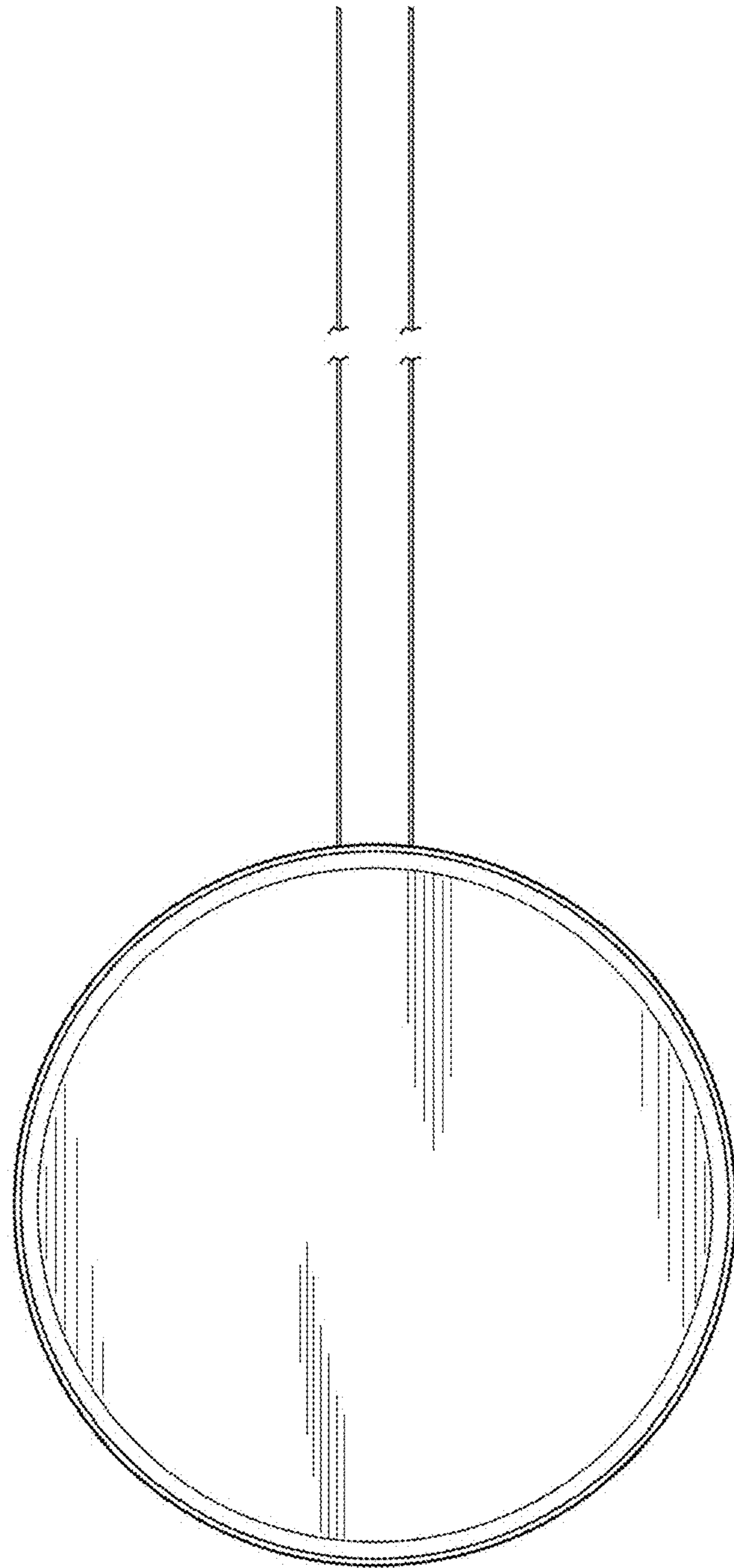
1.2



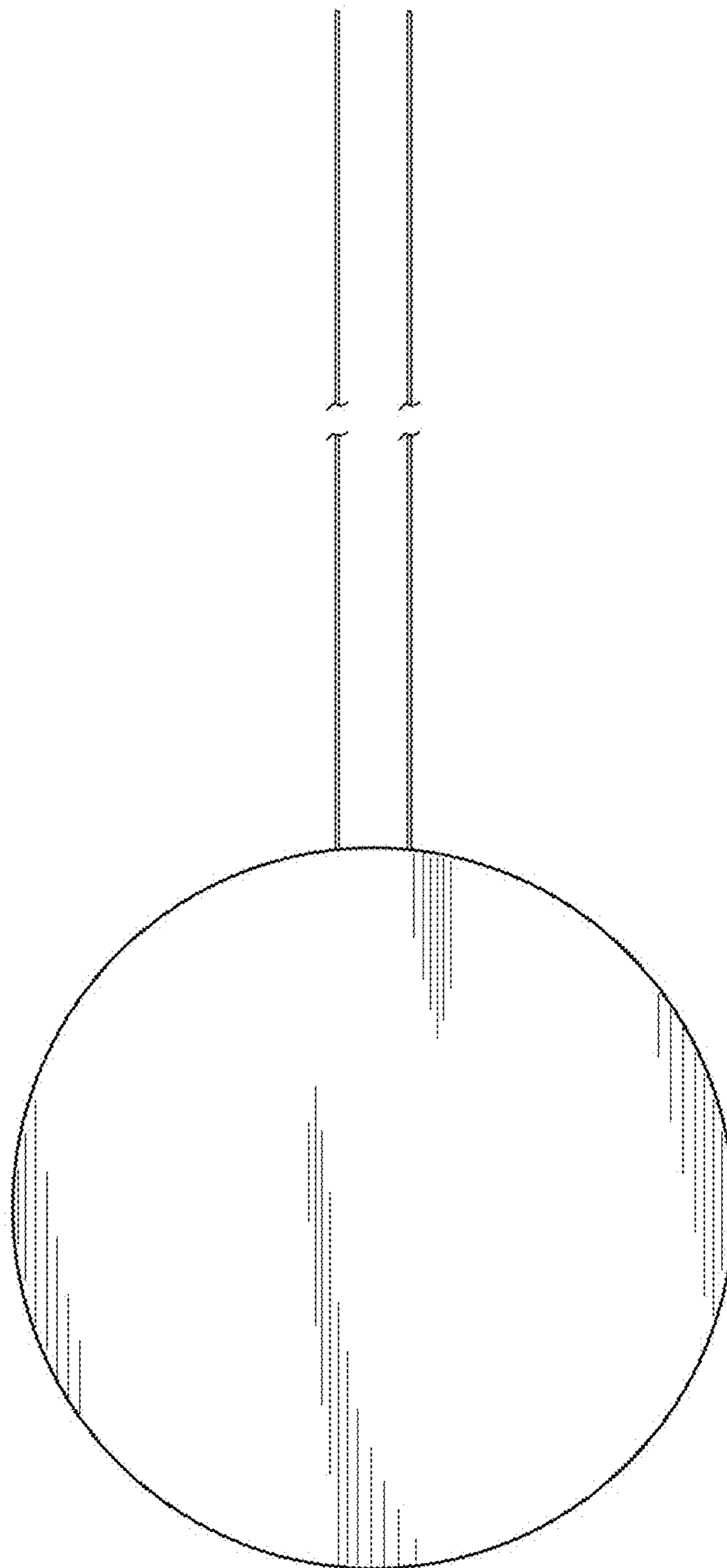
1.3



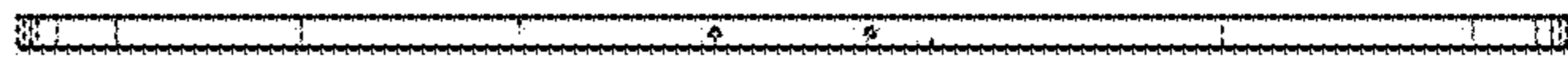
1.4



1.5



1.6



1.7

