



US00D914268S

(12) **United States Design Patent** (10) **Patent No.:** **US D914,268 S**  
**Anastassiades** (45) **Date of Patent:** **\*\* Mar. 23, 2021**

(54) **CEILING LIGHT**  
(71) Applicant: **FLOS S.P.A.**, Bovezzo (IT)  
(72) Inventor: **Michael Anastassiades**, Brescia (IT)  
(73) Assignee: **FLOS S.P.A.**, Bovezzo (IT)  
(\*\*) Term: **15 Years**  
(21) Appl. No.: **35/508,131**  
(22) Filed: **Sep. 20, 2019**  
(80) **Hague Agreement Data**  
Int. Filing Date: **Sep. 20, 2019**  
Int. Reg. No.: **DM/204492**  
Int. Reg. Date: **Sep. 20, 2019**  
Int. Reg. Pub. Date: **Dec. 13, 2019**

(30) **Foreign Application Priority Data**  
Apr. 2, 2019 (IT) ..... 402019000000619  
(51) **LOC (13) Cl.** ..... **26-05**  
(52) **U.S. Cl.**  
USPC ..... **D26/88**  
(58) **Field of Classification Search**  
USPC ..... D26/63, 72, 74, 76, 78-83, 85, 86, 88,  
D26/90, 93, 111, 113, 118, 119, 120, 121,  
D26/122, 138, 139, 140, 141, 142, 152  
CPC ..... F21S 2/00; F21S 4/00; F21S 4/003; F21S  
4/005; F21S 4/006; F21S 4/007; F21S  
4/008; F21S 6/00; F21S 8/00; F21S  
8/024; F21S 8/026; F21S 8/031; F21S  
8/033; F21S 8/035-037; F21S 8/04; F21S  
8/043; F21S 8/063  
See application file for complete search history.

(56) **References Cited**  
U.S. PATENT DOCUMENTS  
D573,299 S \* 7/2008 Fanning ..... D26/153  
D613,897 S \* 4/2010 Thun ..... D26/88

D780,369 S *	2/2017	Anastassiades	.....	D26/107
D826,461 S *	8/2018	Sonneman	.....	D26/90
D829,960 S *	10/2018	Sonneman	.....	D26/90
D846,789 S *	4/2019	Barber	.....	D26/88
D851,323 S *	6/2019	Barber	.....	D26/93
D858,853 S *	9/2019	Anastassiades	.....	D26/76
D865,257 S *	10/2019	Ford	.....	D26/76
D866,045 S *	11/2019	Anastassiades	.....	D26/88
D866,047 S *	11/2019	Anastassiades	.....	D26/88
D869,741 S *	12/2019	Sonneman	.....	D26/138
D869,742 S *	12/2019	Sonneman	.....	D26/138
D869,743 S *	12/2019	Sonneman	.....	D26/138
D869,744 S *	12/2019	Sonneman	.....	D26/138
D876,707 S *	2/2020	Tang	.....	D26/110

\* cited by examiner

*Primary Examiner* — Natasha Vujcic  
(74) *Attorney, Agent, or Firm* — Thomas | Horstemeyer, LLP

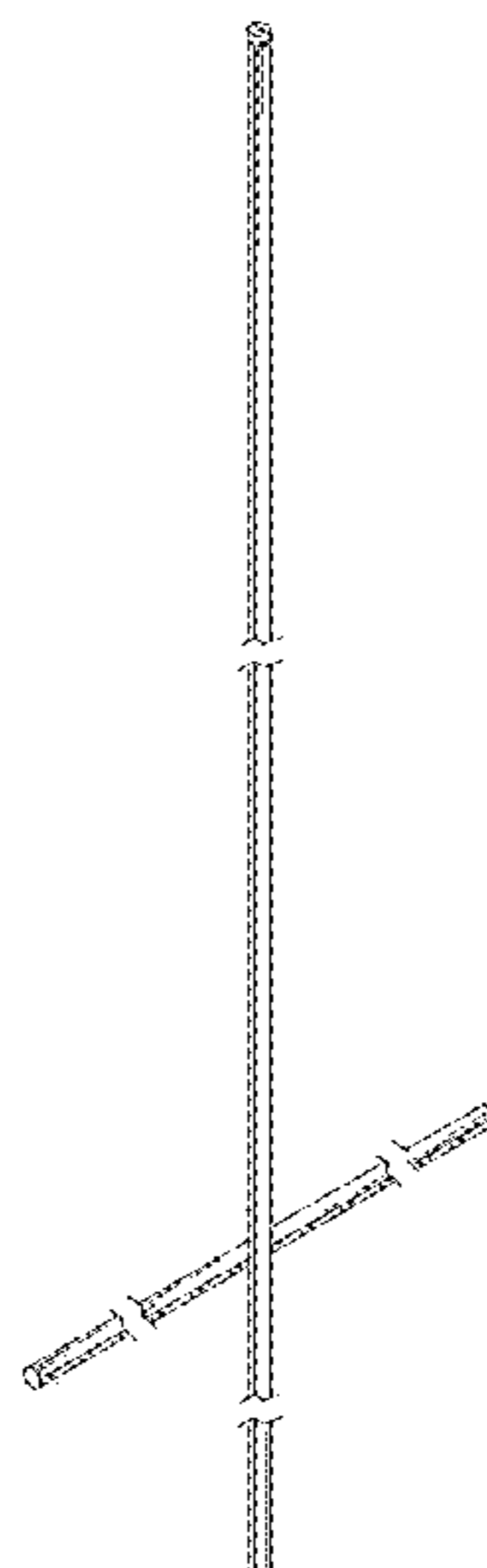
(57) **CLAIM**

The ornamental design for a ceiling light, as shown and described.

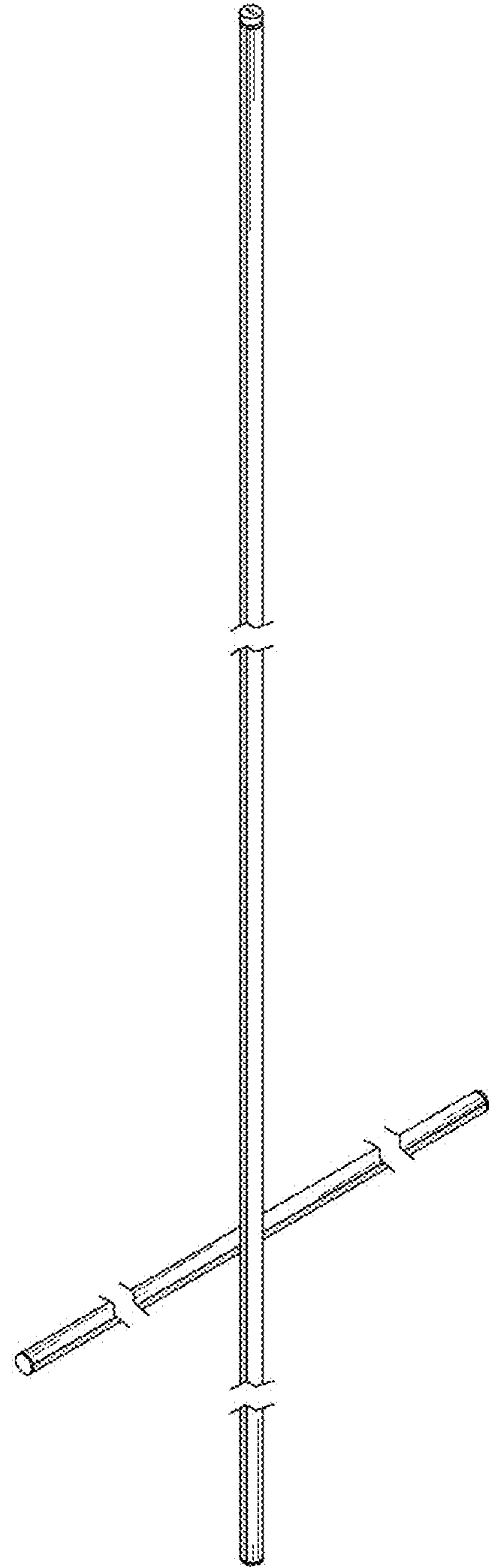
**DESCRIPTION**

1. Ceiling light  
The design is a ceiling light consisting of a first cylindrical body extending along a vertical axis and a second cylindrical body extending along a horizontal axis and supported by the first body; each cylindrical wall has an opaque portion and a translucent portion; the opaque portion of the second body is joined to the opaque portion of the first body; each body houses a LED light source; The break lines in the drawings indicate that the appearance of any portion of the ceiling light between the break lines forms no part of the claimed design. Fig. 1.1 is a perspective view of the design; Fig. 1.2 is a front view thereof; Fig. 1.3 is a rear view thereof; Fig. 1.4 is a left view thereof; Fig. 1.5 is a right thereof; Fig. 1.6 is a top view thereof; Fig. 1.7 is a bottom view thereof.

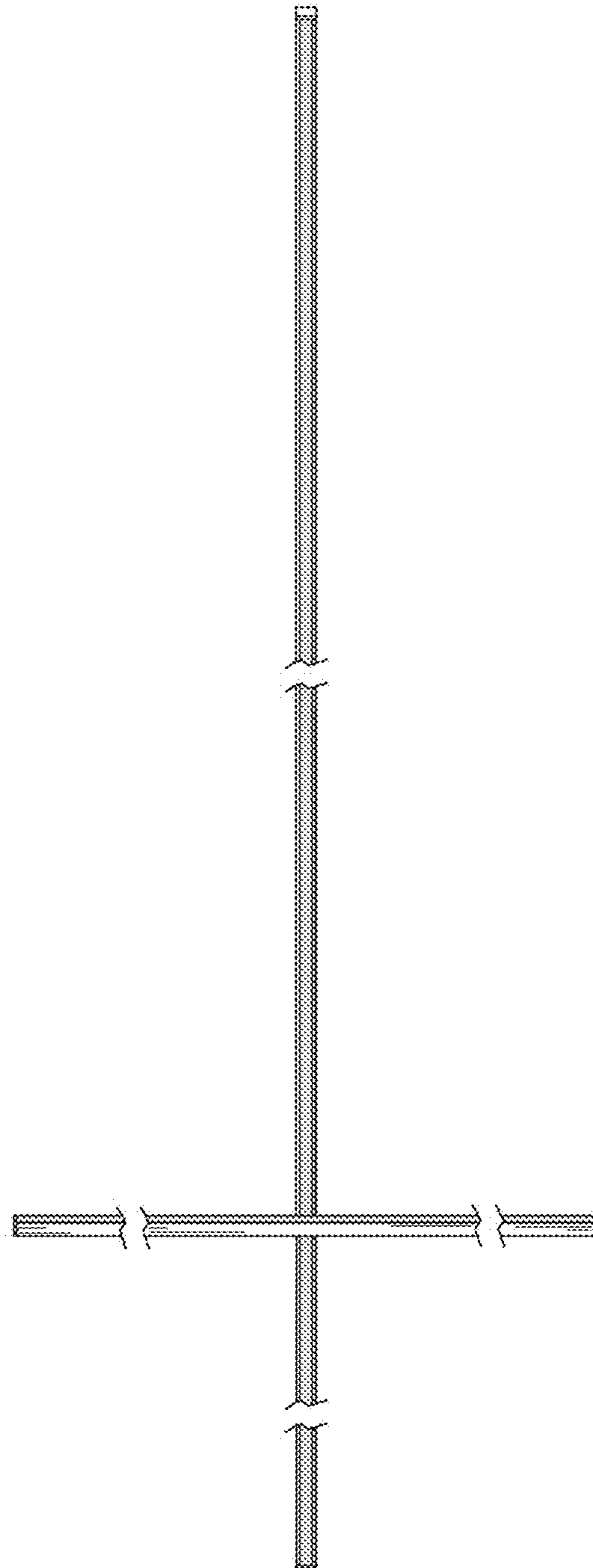
**1 Claim, 7 Drawing Sheets**



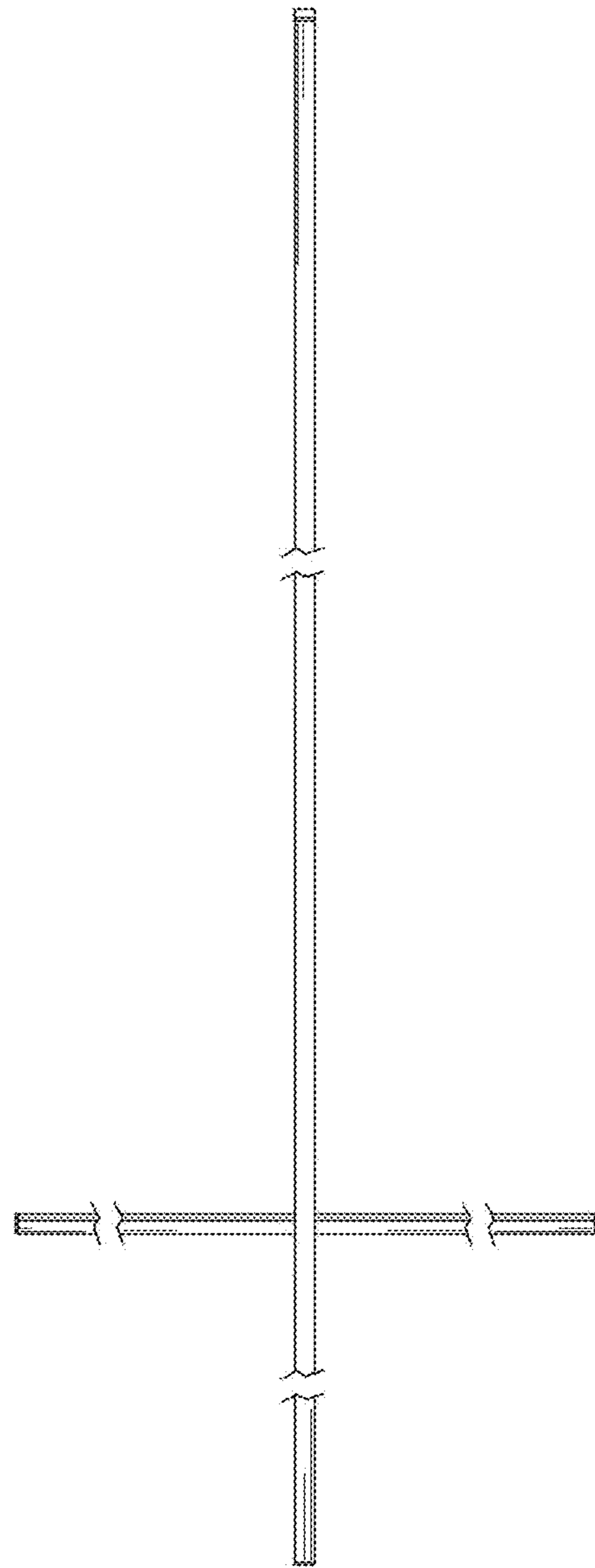
1.1



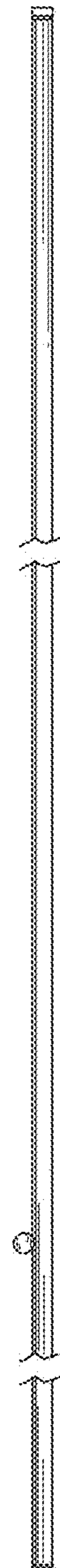
1.2



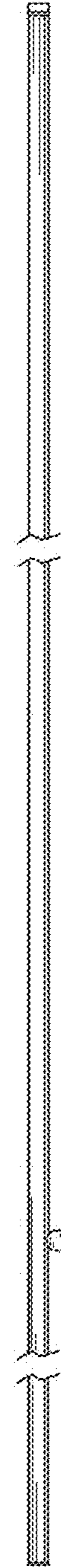
1.3



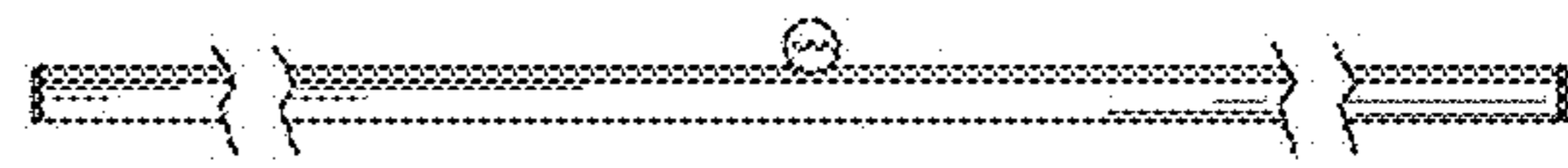
1.4



1.5



1.6



1.7

