



US00D914266S

(12) **United States Design Patent**  
**Wang**

(10) **Patent No.:** **US D914,266 S**

(45) **Date of Patent:** **\*\* Mar. 23, 2021**

(54) **LAMP**

(71) Applicant: **Boxiang Wang**, Hunan Province (CN)

(72) Inventor: **Boxiang Wang**, Hunan Province (CN)

(\*\*) Term: **15 Years**

(21) Appl. No.: **29/746,121**

(22) Filed: **Aug. 12, 2020**

(51) **LOC (13) Cl.** ..... **26-03**

(52) **U.S. Cl.**  
USPC ..... **D26/87**

(58) **Field of Classification Search**  
USPC ..... D26/80, 85-87, 92  
CPC ..... F21S 8/03; F21S 8/035; F21S 8/036  
See application file for complete search history.

(56) **References Cited**

**U.S. PATENT DOCUMENTS**

D608,488 S	*	1/2010	Miranda	.....	D26/87
D646,424 S	*	10/2011	Ho	.....	D26/85
D701,634 S	*	3/2014	Tomlinson	.....	D26/85
D816,882 S	*	5/2018	Qiao	.....	D26/86
D822,233 S	*	7/2018	Wang et al.	.....	D26/86
D869,730 S	*	12/2019	Lin	.....	D26/80
D879,353 S	*	3/2020	Lin	.....	D26/87
D906,574 S	*	12/2020	Jiang	.....	D26/85
D908,265 S	*	1/2021	Zheng	.....	D26/86

**OTHER PUBLICATIONS**

LIWUU Modern LED Bathroom Vanity Lights available at amazon.com Oct. 18, 2020. (Year: 2020).\*

Aipsun 3 Lights Modern LED Vanity Light available at amazon.com as early as Nov. 26, 2020. (Year: 2020).\*

\* cited by examiner

*Primary Examiner* — Clare E Heflin

(74) *Attorney, Agent, or Firm* — ZANIP

(57) **CLAIM**

The ornamental design for a lamp, as shown and described.

**DESCRIPTION**

FIG. 1 is a front and bottom perspective view of a lamp, showing my new design;

FIG. 2 is a rear and top perspective view thereof;

FIG. 3 is a bottom plan view thereof;

FIG. 4 is a top plan view thereof;

FIG. 5 is a left side elevational view thereof;

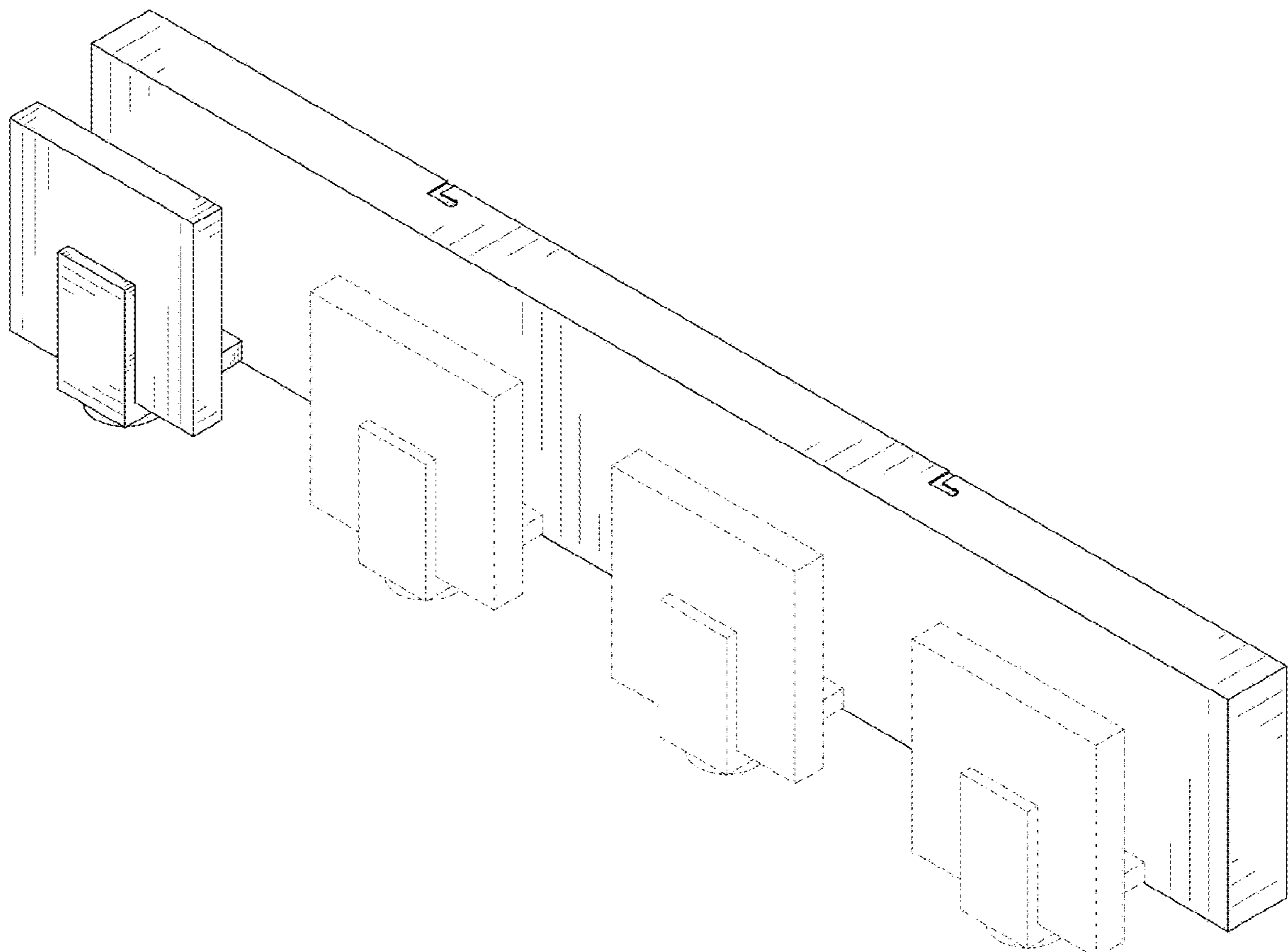
FIG. 6 is a right side elevational view thereof;

FIG. 7 is a rear elevational view thereof; and,

FIG. 8 is a front elevational view thereof.

The dashed broken lines in the figures illustrate portions of the article that form no part of the claimed design.

**1 Claim, 8 Drawing Sheets**



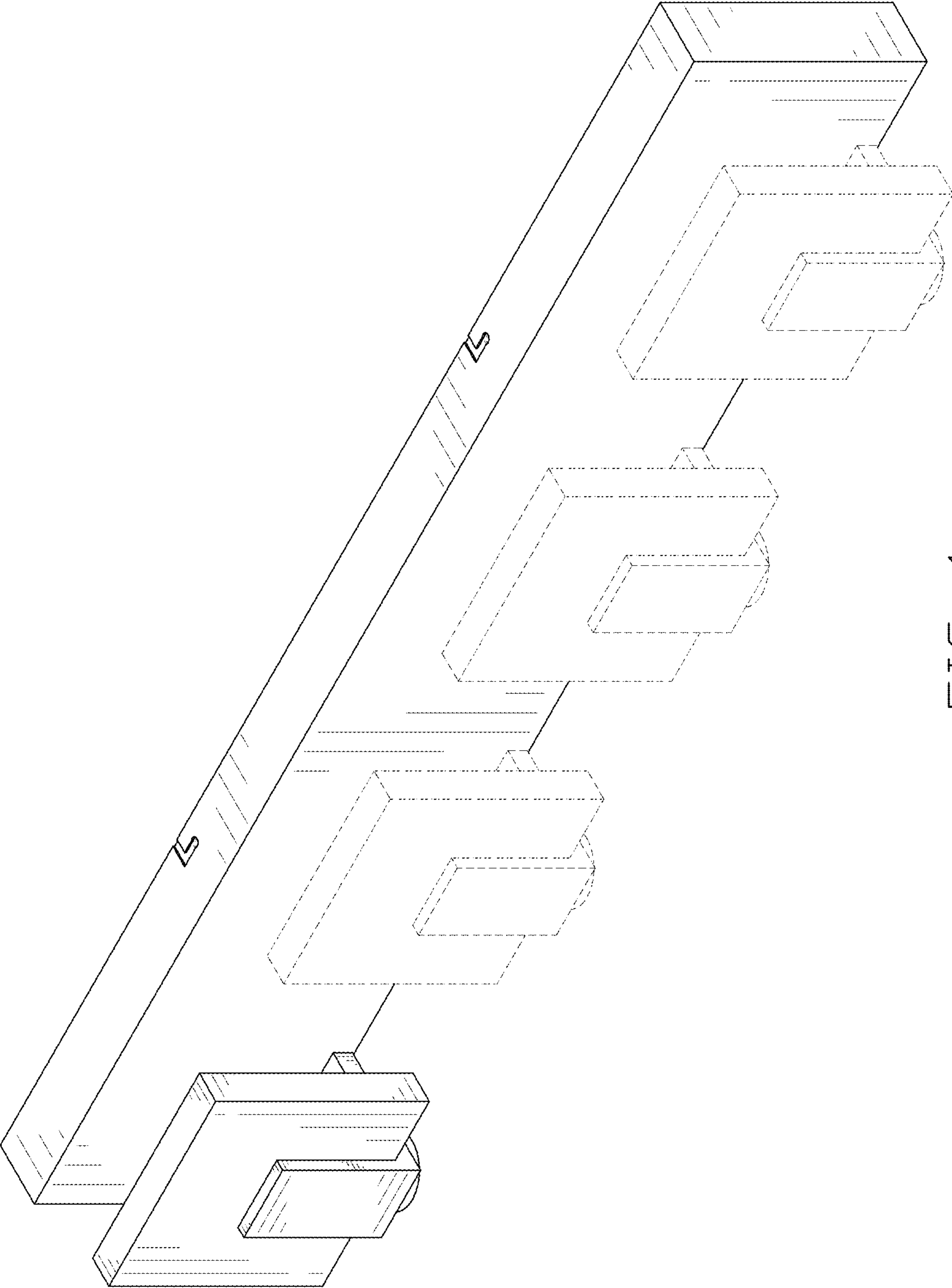


FIG. 1

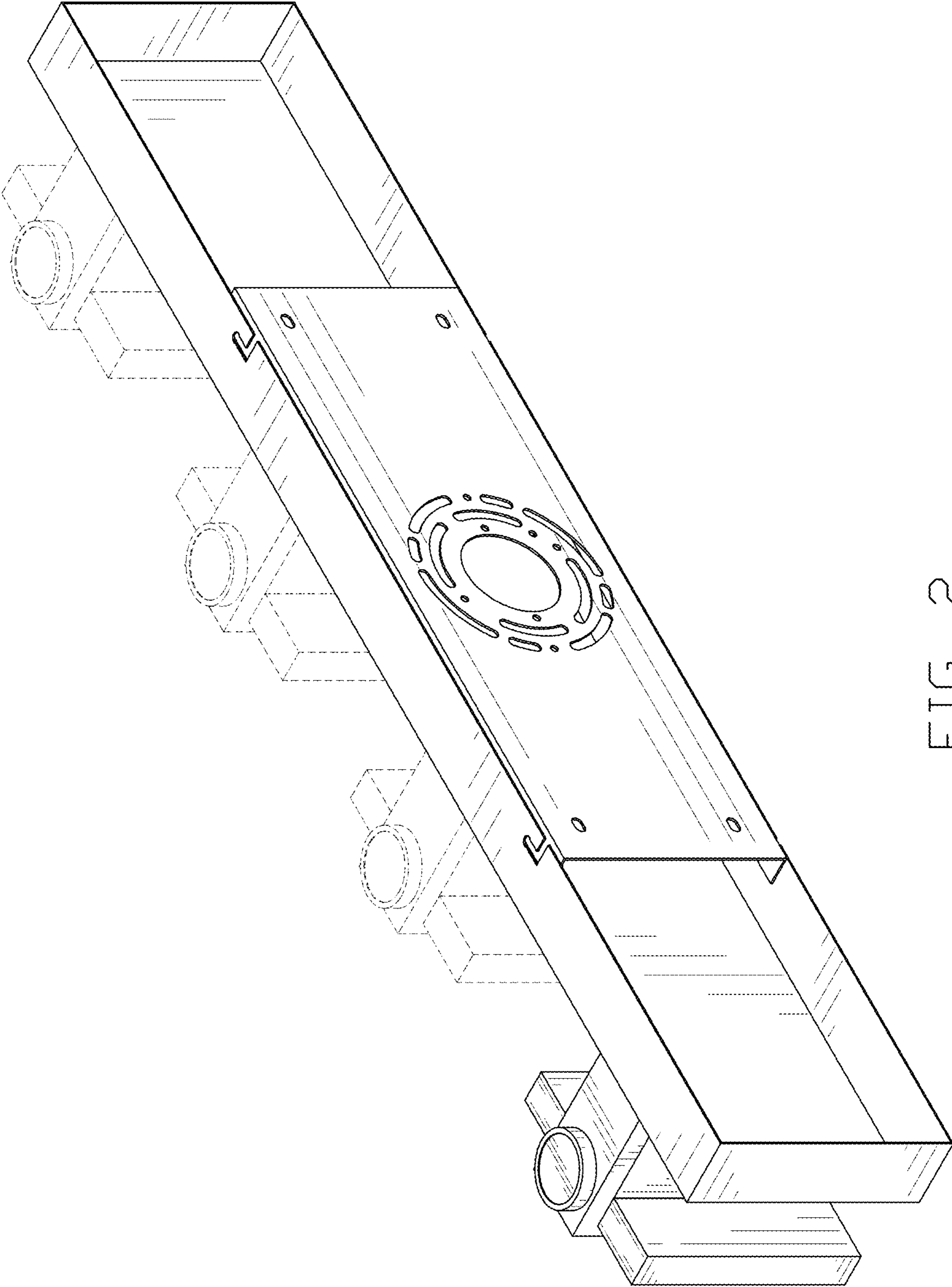


FIG. 2

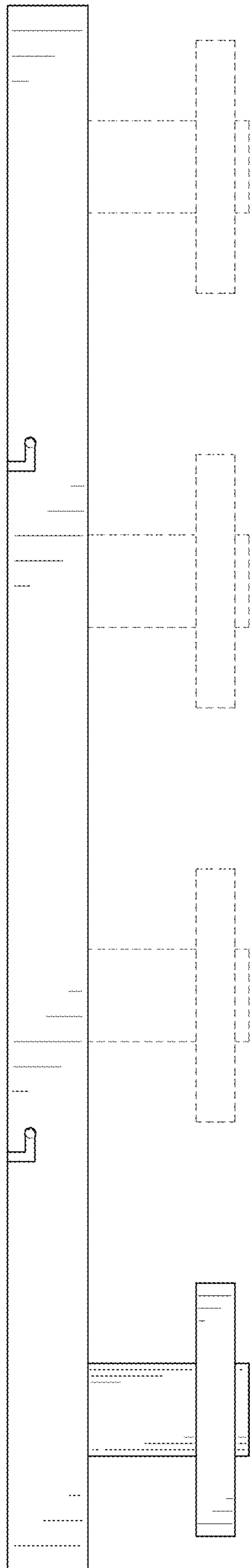


FIG. 3

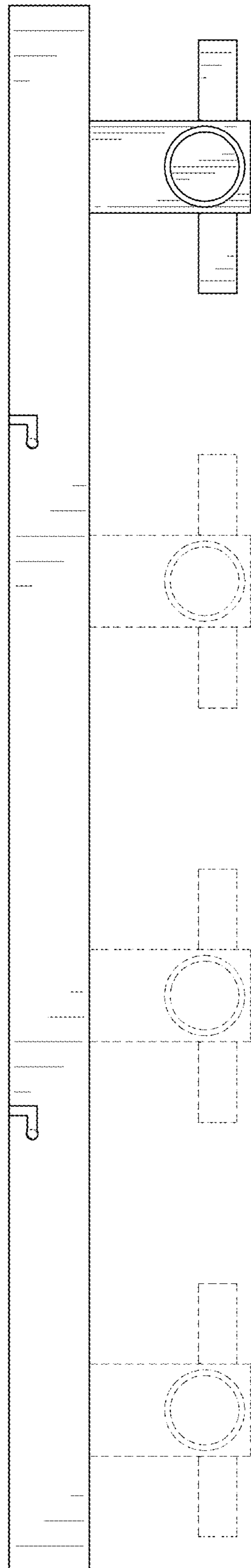


FIG. 4

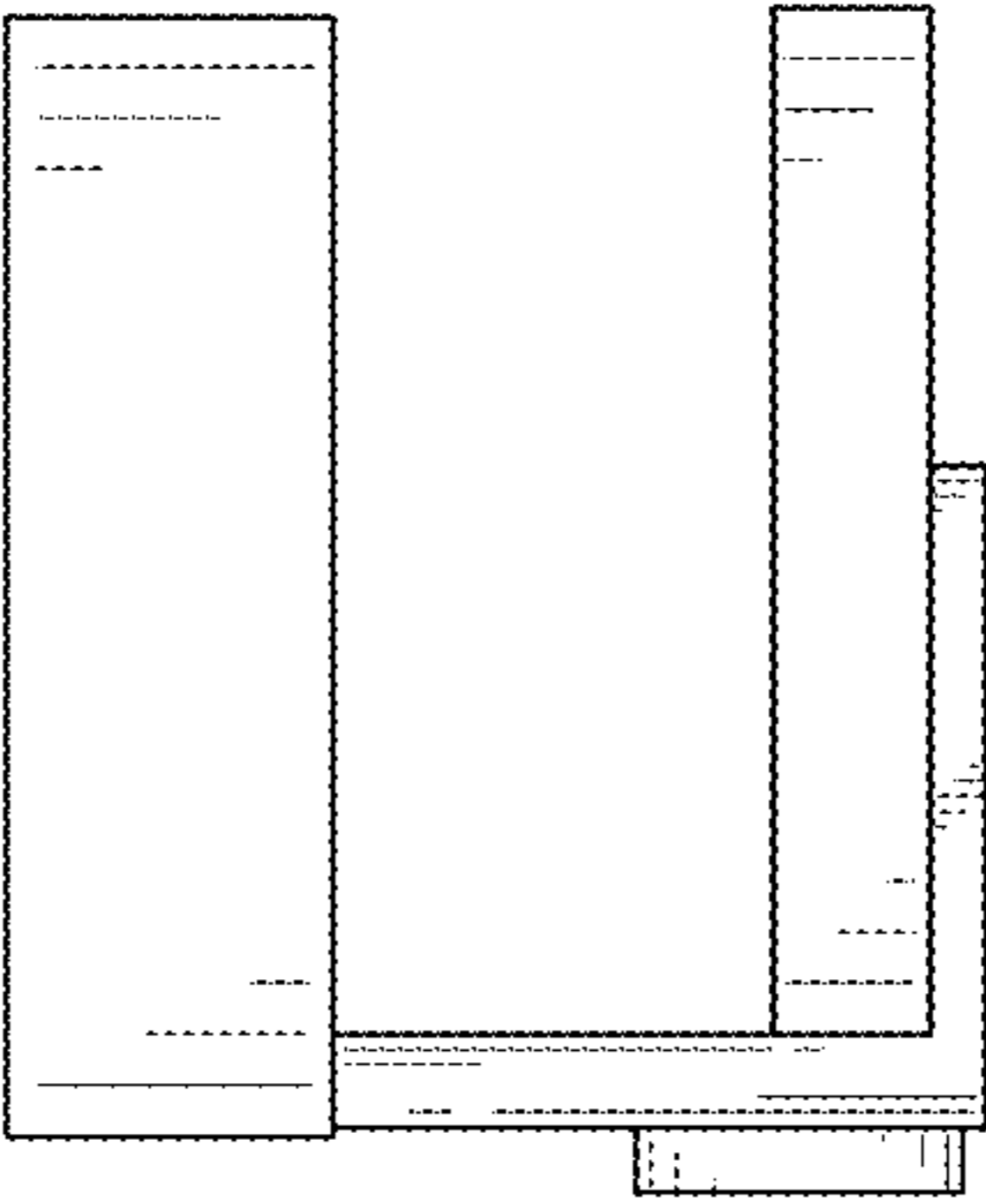


FIG. 5

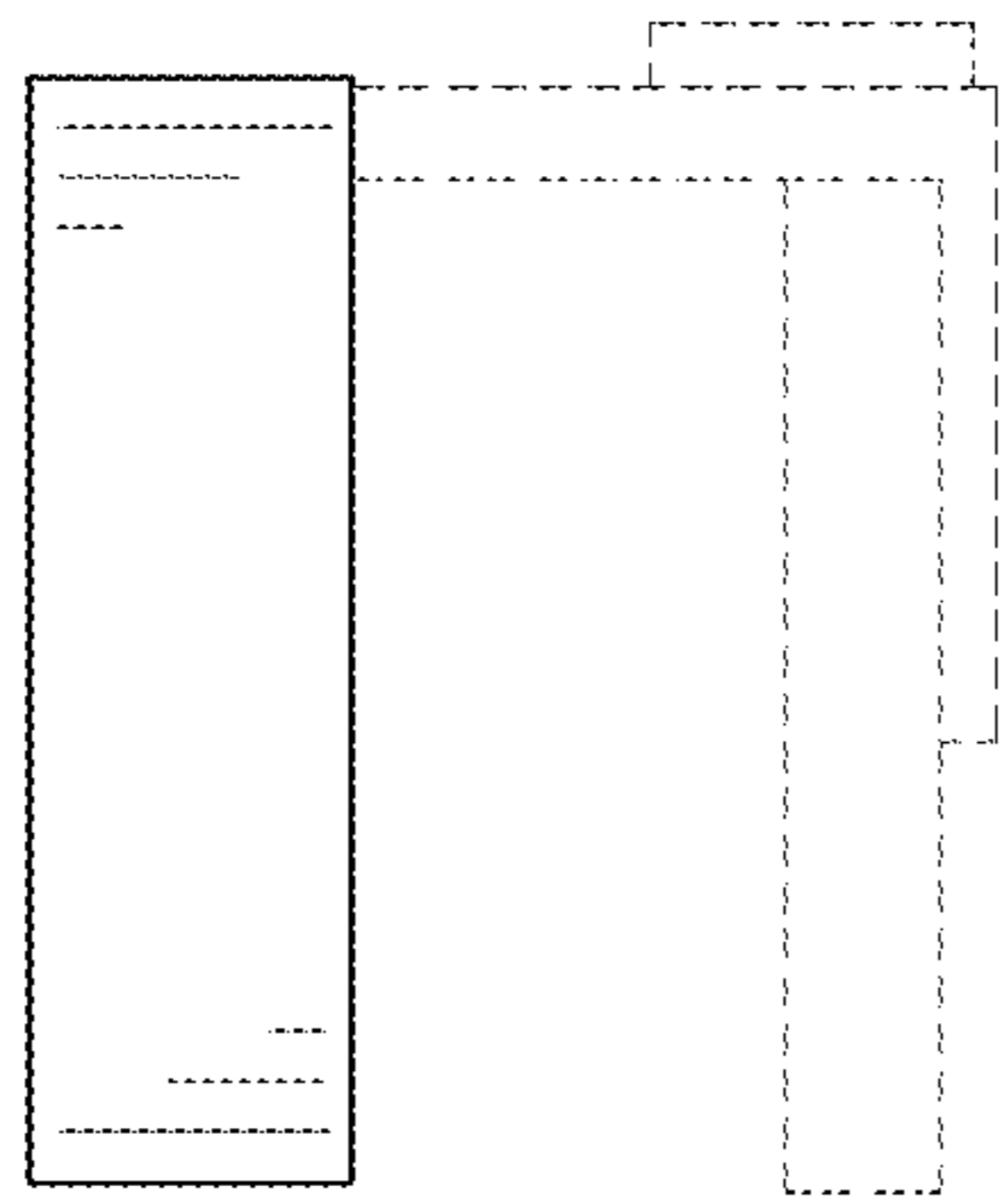


FIG. 6

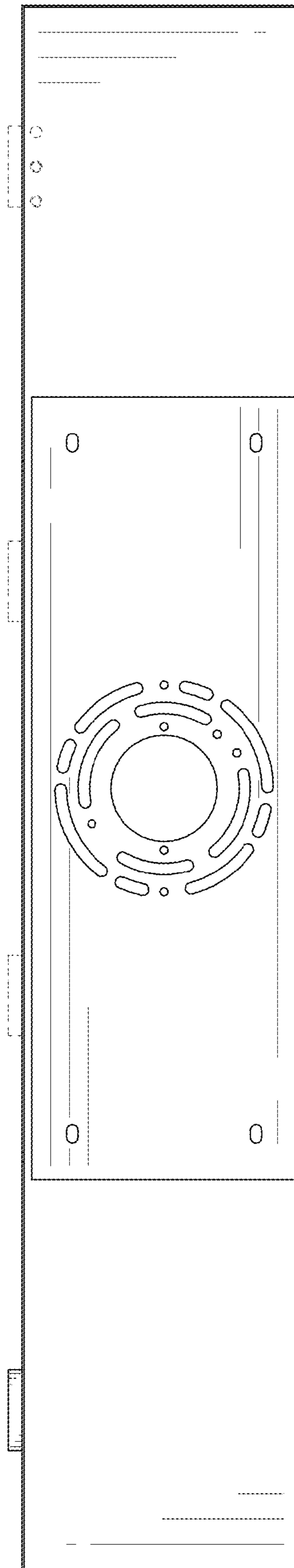


FIG. 7



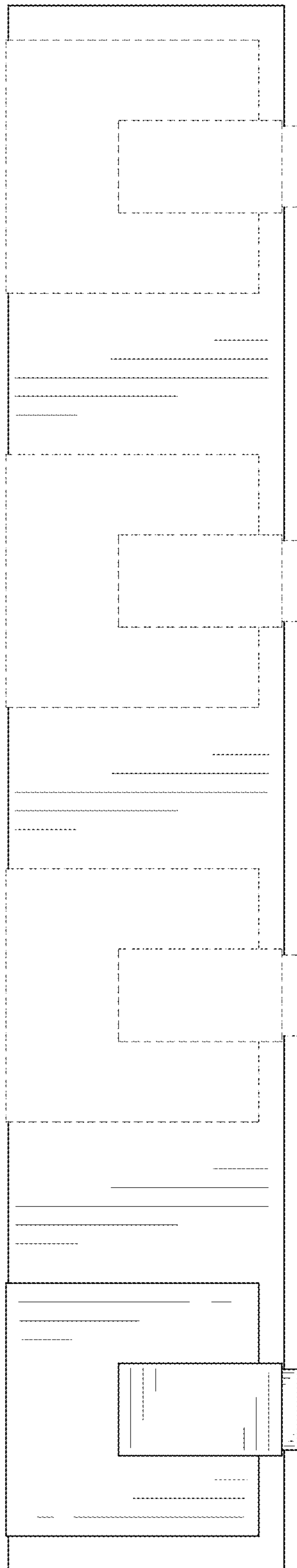


FIG. 8



US00D914266C1

(12) **EX PARTE REEXAMINATION CERTIFICATE** (12234th)  
**United States Patent**  
**Wang**

(10) **Number:** **US D914,266 C1**  
(45) **Certificate Issued:** **Feb. 27, 2023**

(54) **LAMP**

(71) Applicant: **Boxiang Wang**, Hunan Province (CN)

(72) Inventor: **Boxiang Wang**, Hunan Province (CN)

**Reexamination Request:**

No. 90/014,790, Jul. 1, 2021

**Reexamination Certificate for:**

Patent No.: **Des. 914,266**  
Issued: **Mar. 23, 2021**  
Appl. No.: **29/746,121**  
Filed: **Aug. 12, 2020**

(51) **LOC (14) Cl.** ..... **26-03**

(52) **U.S. Cl.**

USPC ..... **D26/87**

(58) **Field of Classification Search**

USPC ..... D26/80, 85, 86, 87, 92

CPC ..... F21S 8/03; F21S 8/035; F21S 8/036

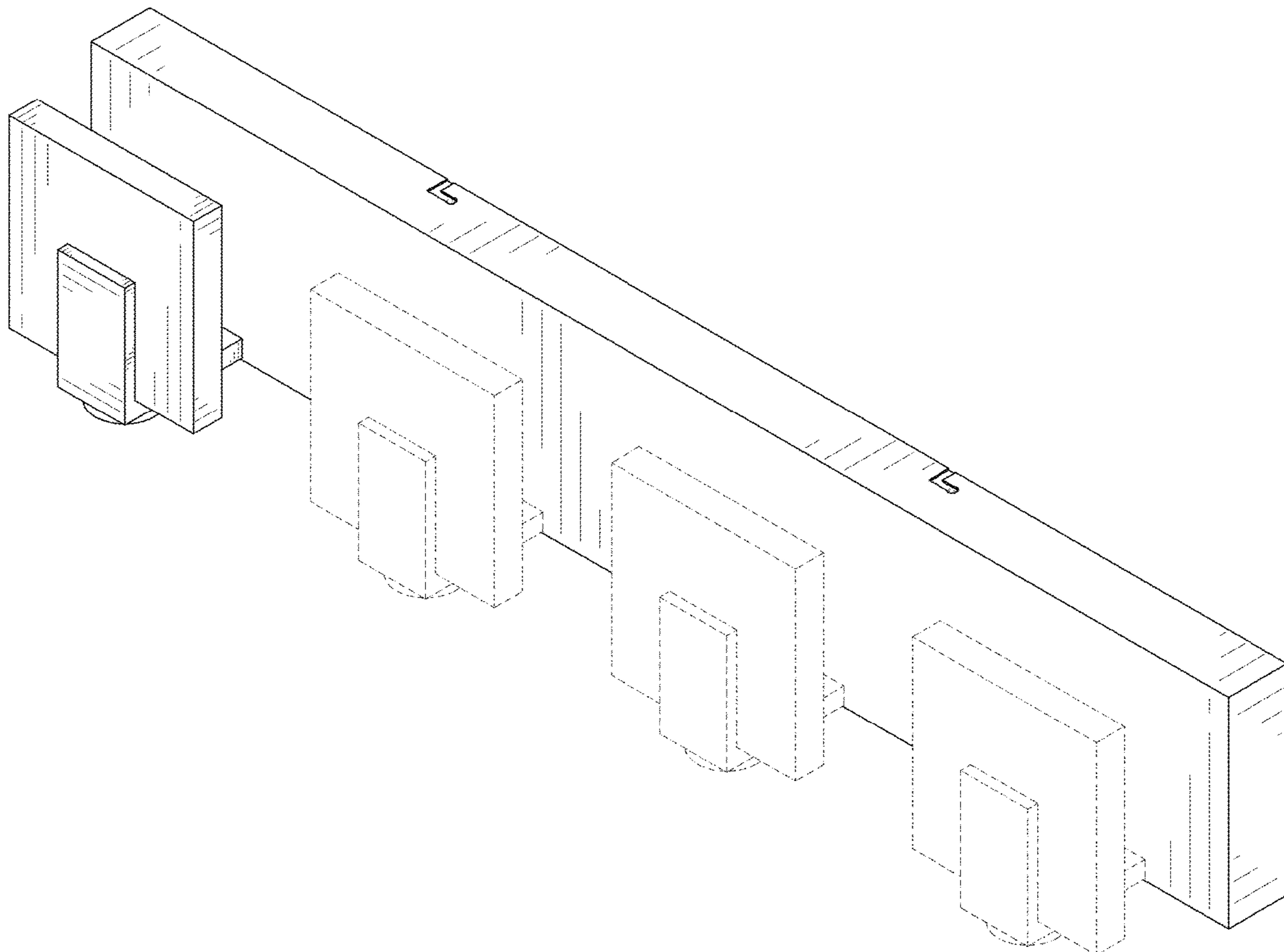
See application file for complete search history.

(56)

**References Cited**

To view the complete listing of prior art documents cited during the proceeding for Reexamination Control Number 90/014,790, please refer to the USPTO's Patent Electronic System.

*Primary Examiner* — Philip S Hyder



**1**  
**EX PARTE**  
**REEXAMINATION CERTIFICATE**

THE PATENT IS HEREBY AMENDED AS  
INDICATED BELOW.

5

AS A RESULT OF REEXAMINATION, IT HAS BEEN  
DETERMINED THAT:

The claim 1 is cancelled.

10

\* \* \* \* \*