



US00D914265S

(12) **United States Design Patent**
Xia

(10) **Patent No.:** **US D914,265 S**

(45) **Date of Patent:** **** Mar. 23, 2021**

- (54) **WALL LAMP**
- (71) Applicant: **SHENZHEN OOWOLF CULTURE, CO. LTD.**, Shenzhen (CN)
- (72) Inventor: **Ruxiu Xia**, Shenzhen (CN)
- (73) Assignee: **SHENZHEN OOWOLF CULTURE CO., LTD.**, Shenzhen (CN)
- (**) Term: **15 Years**
- (21) Appl. No.: **29/693,086**
- (22) Filed: **May 30, 2019**
- (51) **LOC (13) Cl.** **26-05**
- (52) **U.S. Cl.**
USPC **D26/85**
- (58) **Field of Classification Search**
USPC D10/111-115; D26/24, 26, 34, 44, 51, D26/58, 60, 61, 63, 72, 75, 76, 78, 85, D26/80, 88, 89, 113, 118
CPC F21S 8/00; F21S 8/02; F21S 8/03; F21S 8/04; F21S 8/033; F21S 8/08; F21S 8/36; F21S 8/037; F21S 8/043; F21S 9/022; F21S 9/035; F21V 29/73
See application file for complete search history.

(56) **References Cited**

U.S. PATENT DOCUMENTS

- 1,231,173 A * 6/1917 Knapp G03B 27/02 355/118
- 2,612,599 A * 9/1952 Matson F21S 8/00 362/280
- D226,973 S * 5/1973 Monte D26/75
- D227,499 S * 6/1973 Monte D26/75
- 4,121,279 A * 10/1978 Whitesel F21S 8/033 362/297
- D252,831 S * 9/1979 Sovaiko D26/51
- 4,222,093 A * 9/1980 Garcia F21V 21/03 362/147
- D266,061 S * 9/1982 Wenzlaff D10/114.2
- D303,849 S * 10/1989 Nugent D26/85

- 5,006,968 A * 4/1991 Miller F21S 8/033 362/147
- D402,391 S * 12/1998 Manarin D26/110
- D564,693 S * 3/2008 Ziliani D26/85
- D577,144 S * 9/2008 Benensohn D26/72
- D590,088 S * 4/2009 Dworschak D26/85
- D592,784 S * 5/2009 van den Dool D26/75
- D638,977 S * 5/2011 Heyrman D26/85

(Continued)

OTHER PUBLICATIONS

LANFU LED Aluminum Waterproof Wall Lamp (available online Jun. 4, 2018) Retrieved from the internet Nov. 5, 2020 from URL: https://www.amazon.com/JIN-CAN-Aluminum-Waterproof-Adjustable/dp/B07DJ5F8ZM/ref=sr_1_5?dchild=1&keywords=square+wall+lamp&sr=8-5.*

Primary Examiner — Kevin K Rudzinski

Assistant Examiner — Richard Kearney

(74) *Attorney, Agent, or Firm* — Law Offices of Steven W. Weinrieb

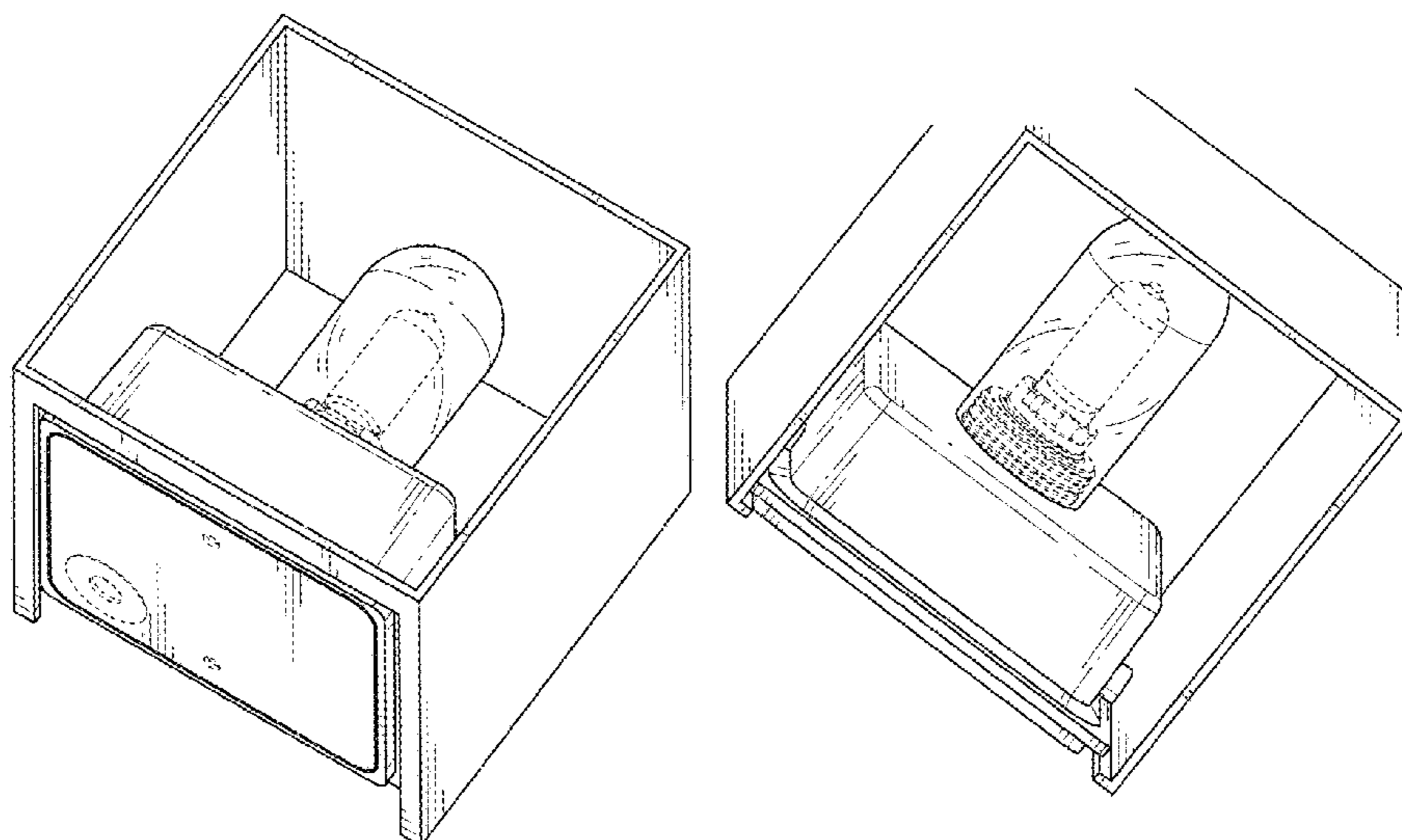
(57) **CLAIM**

The ornamental design for a wall lamp, as shown and described.

DESCRIPTION

FIG. 1 is a rear, right side, top perspective view of a wall lamp showing my new design;
 FIG. 2 is a front, right side, bottom perspective view thereof;
 FIG. 3 is a top plan view;
 FIG. 4 is a bottom plan view thereof;
 FIG. 5 is a right side elevational view thereof;
 FIG. 6 is a left side elevational view thereof;
 FIG. 7 is a rear elevational view thereof; and,
 FIG. 8 is a front elevational view thereof.
 The broken lines immediately adjacent to the claimed portions are boundaries, all other broken lines are environmental structures; all the broken lines form no part of the claimed design.

1 Claim, 8 Drawing Sheets



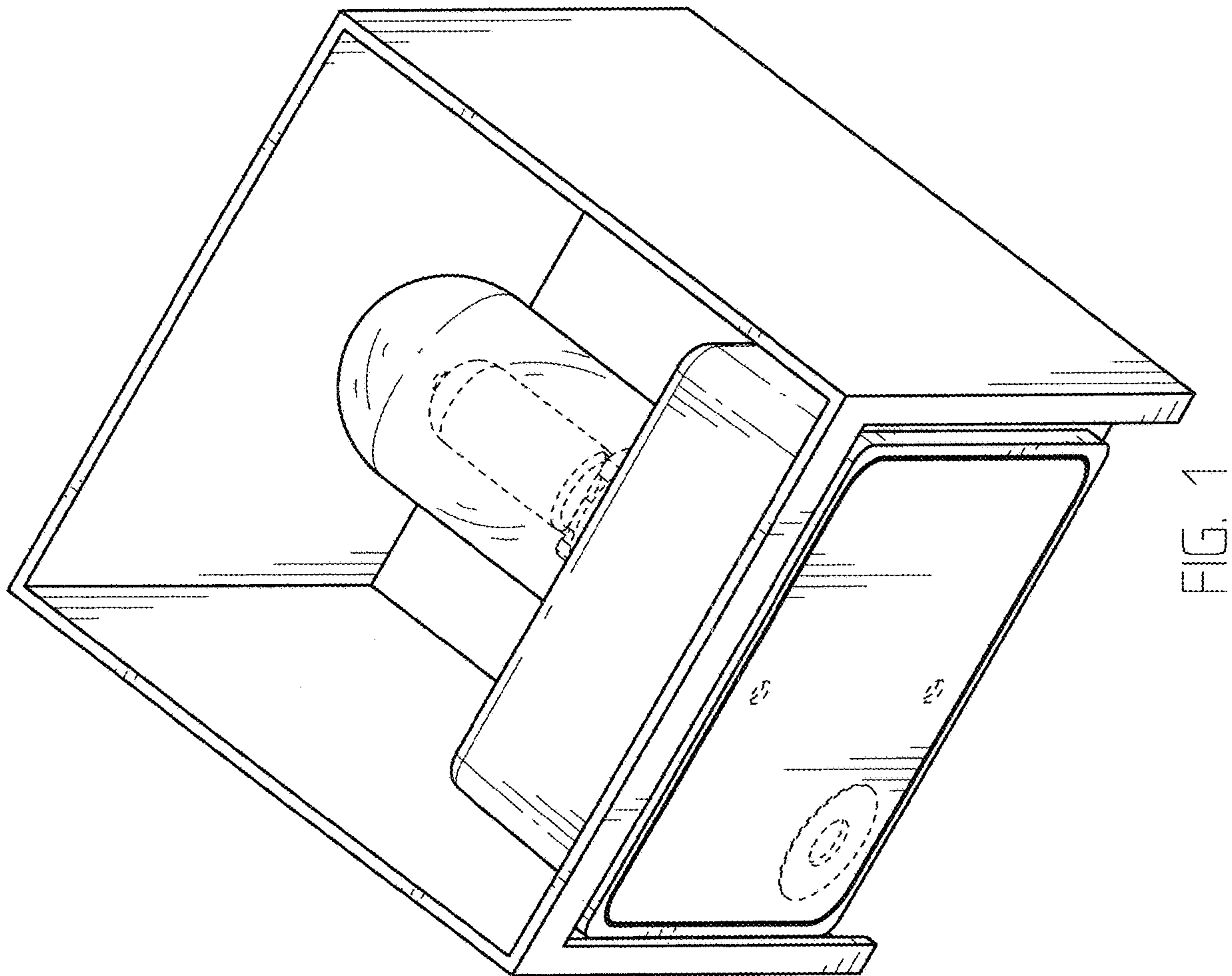
(56)

References Cited

U.S. PATENT DOCUMENTS

D654,614 S *	2/2012	Williamson	D26/85
D672,081 S *	12/2012	Sprengers	D26/85
D697,654 S *	1/2014	Couvreur	D26/85
D768,902 S *	10/2016	Driver	D26/72
D771,302 S *	11/2016	Ross	D26/118
D838,401 S *	1/2019	Joyeux	D26/85
D887,067 S *	6/2020	Dulley	D26/87
2003/0193797 A1 *	10/2003	Chang	F21V 1/10 362/96

* cited by examiner



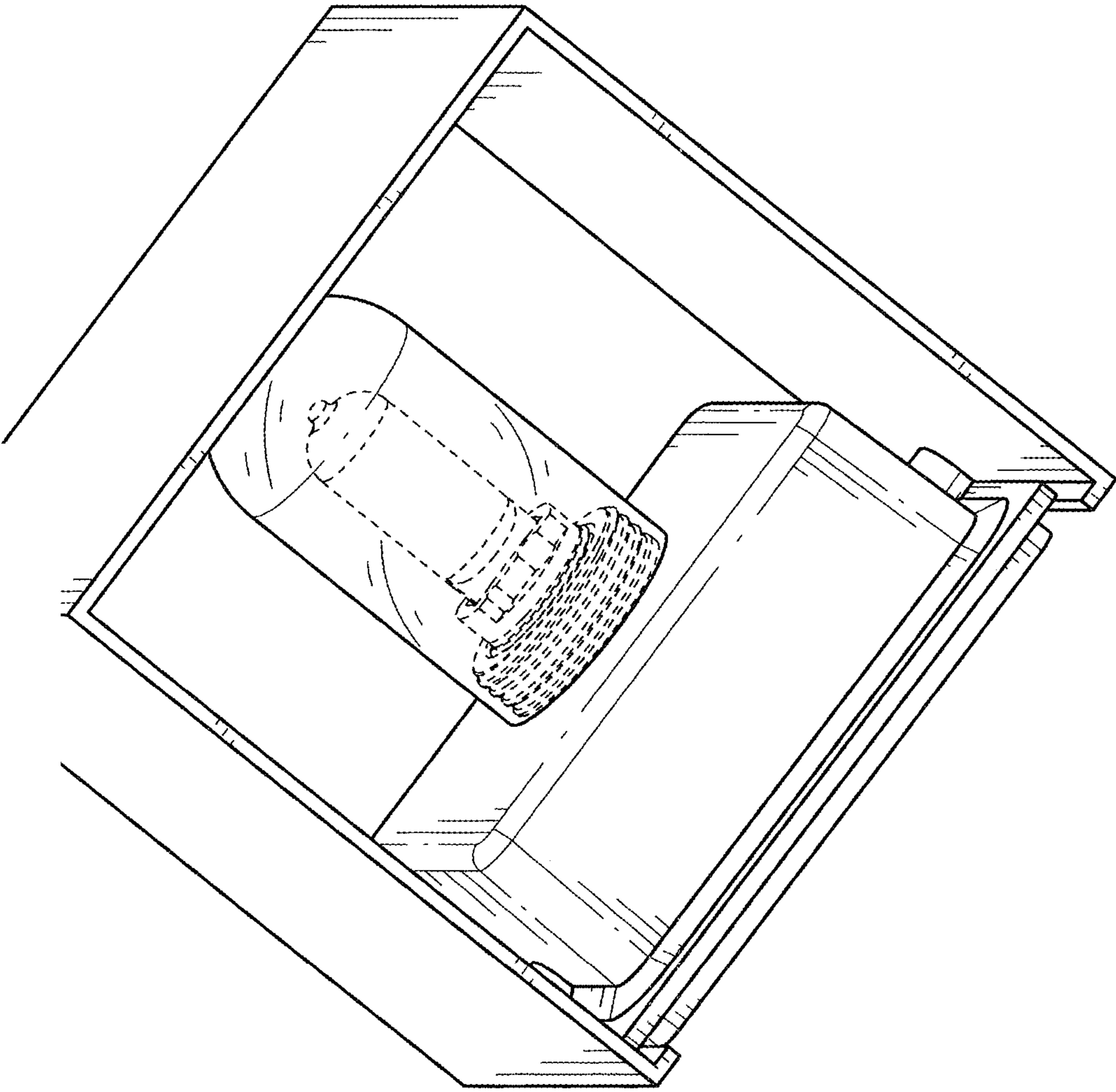


FIG. 2

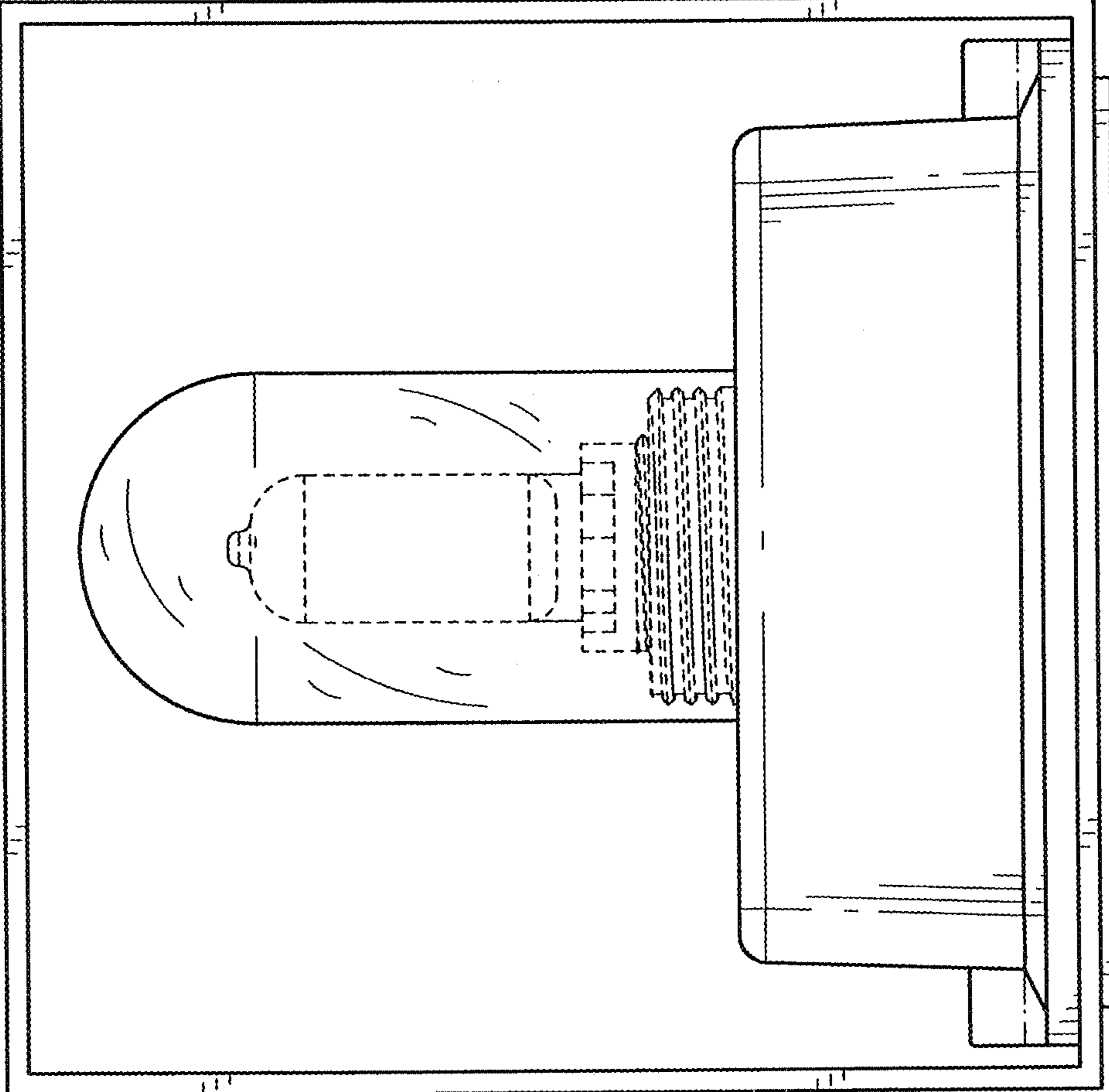


FIG. 3

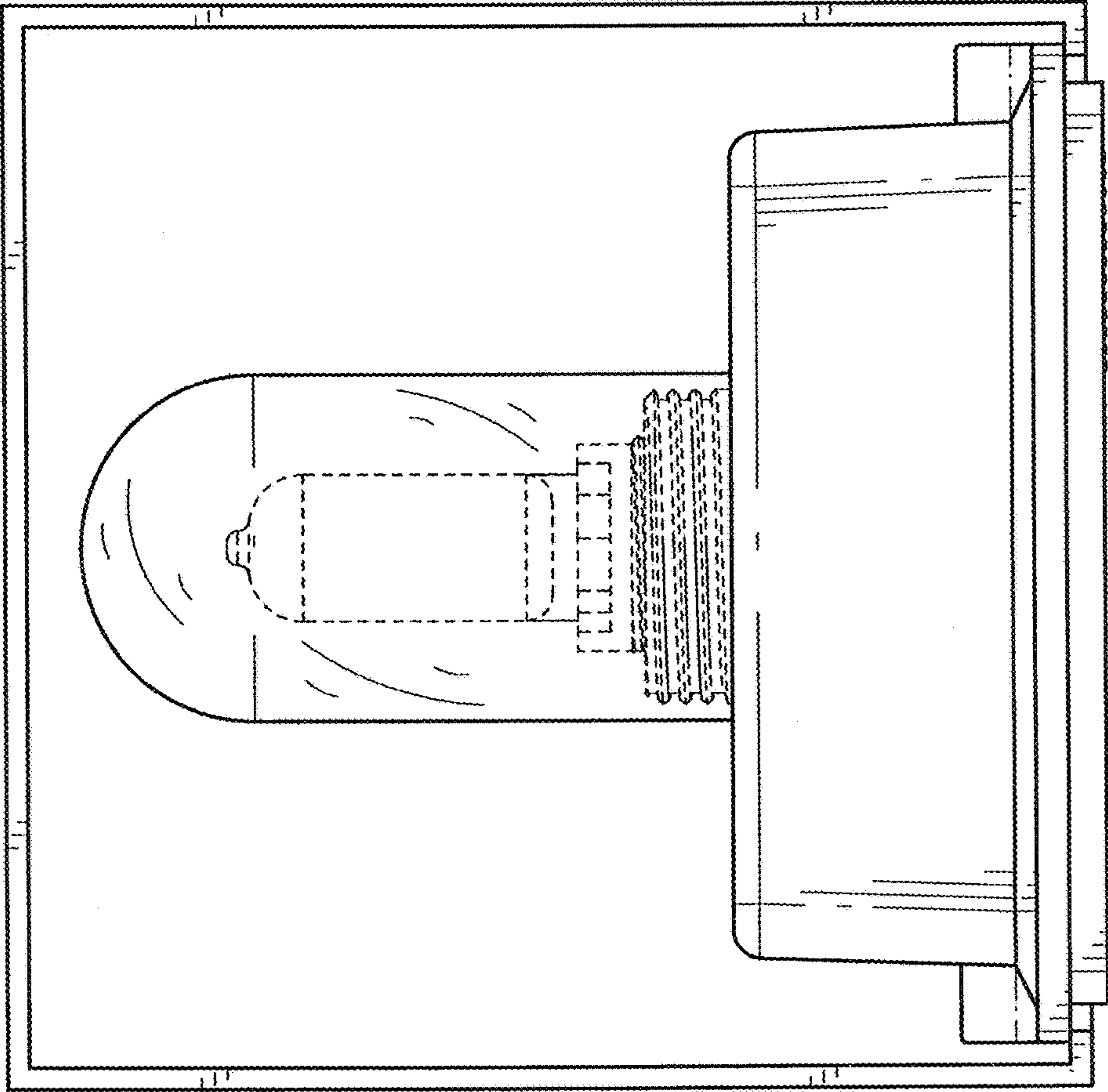


FIG. 4

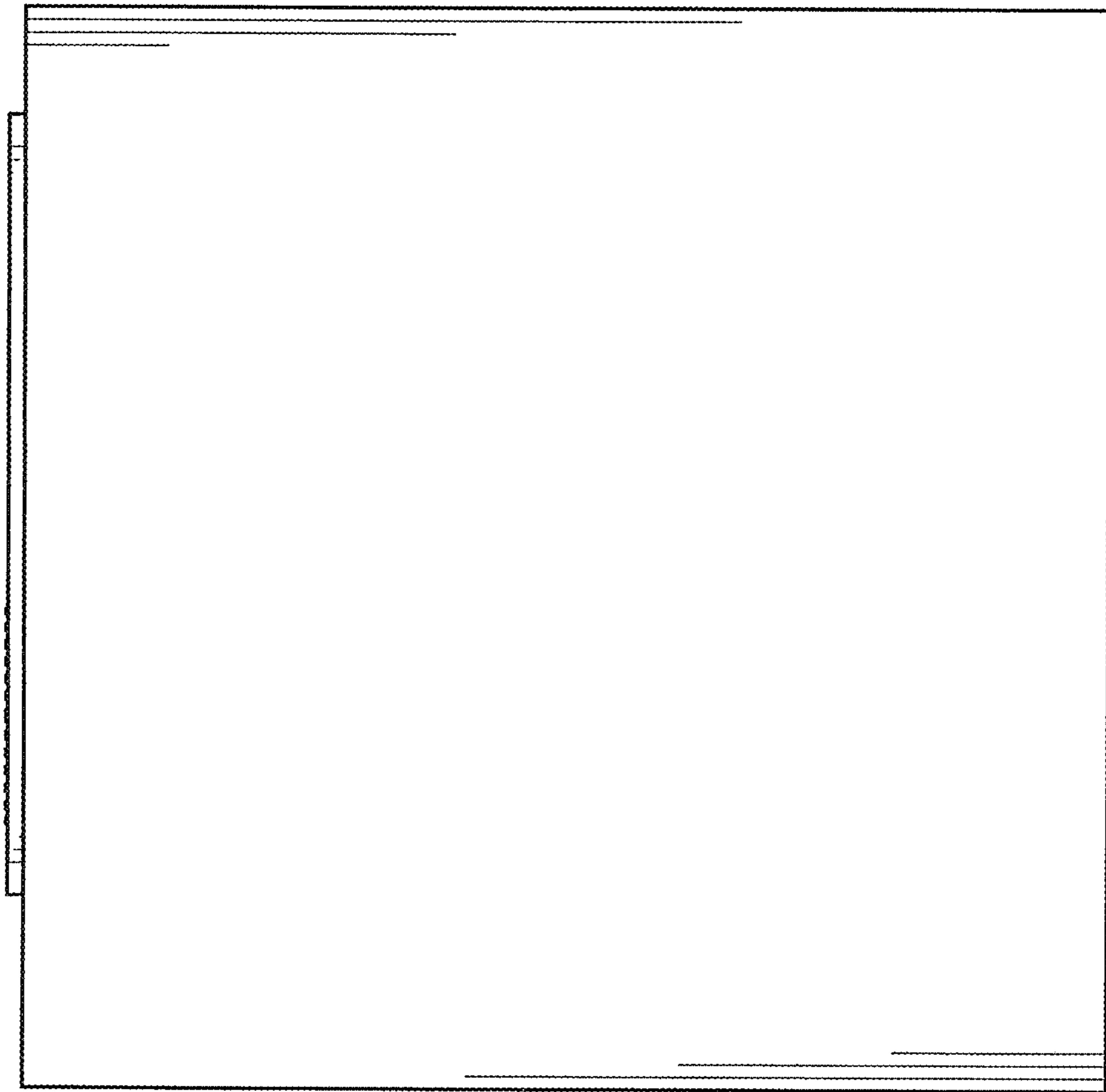


FIG. 5

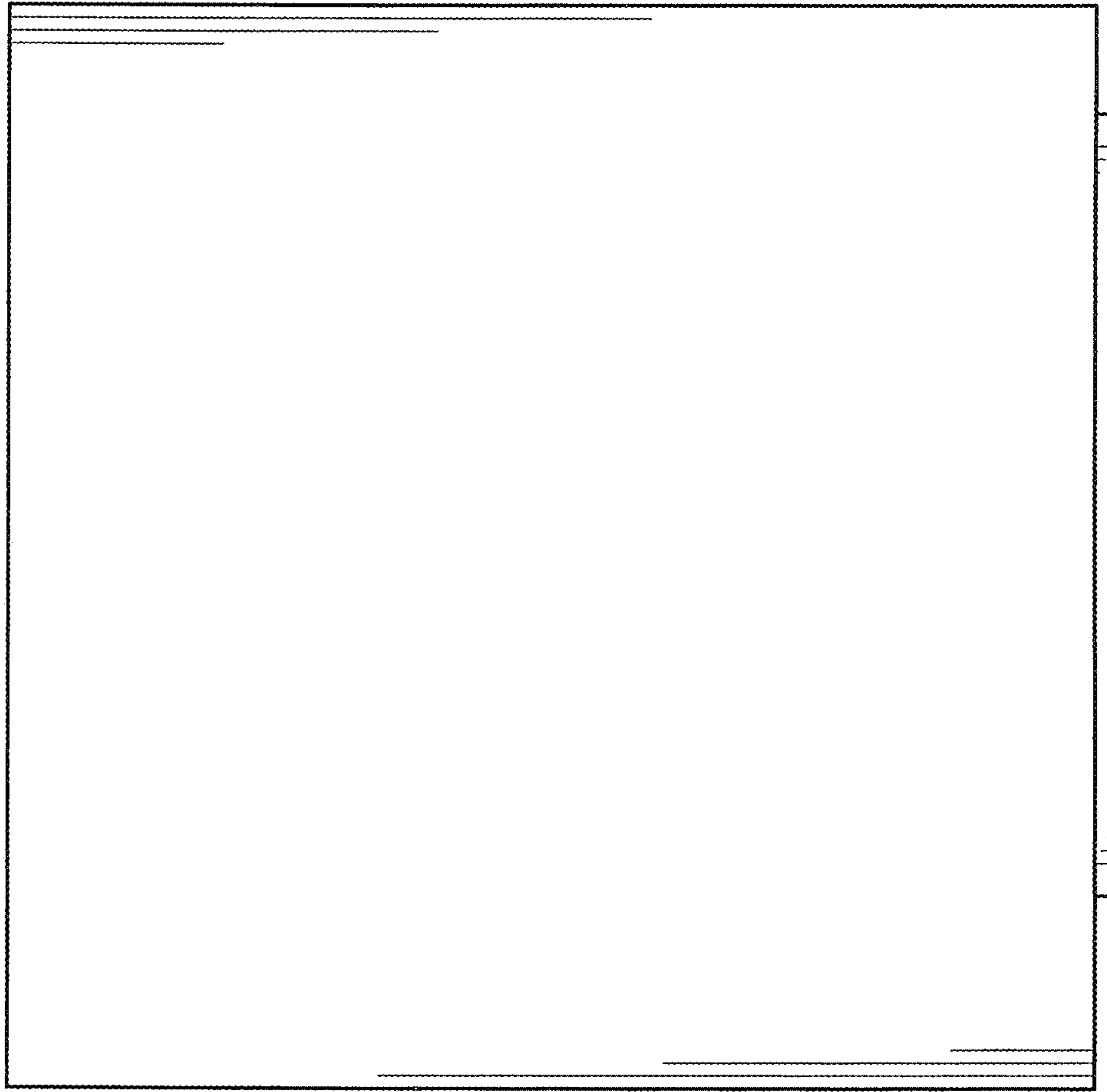


FIG. 6

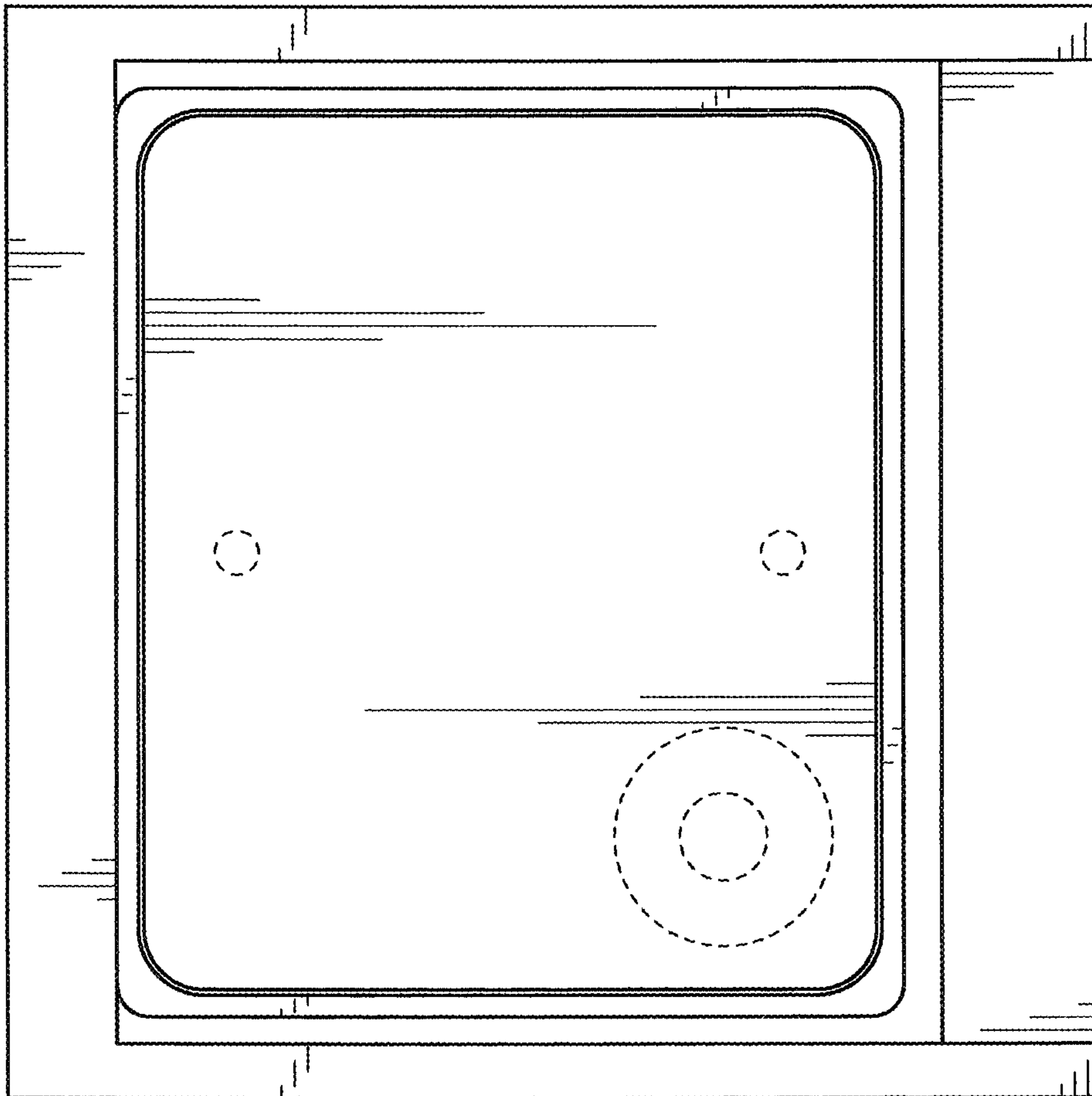


FIG. 7

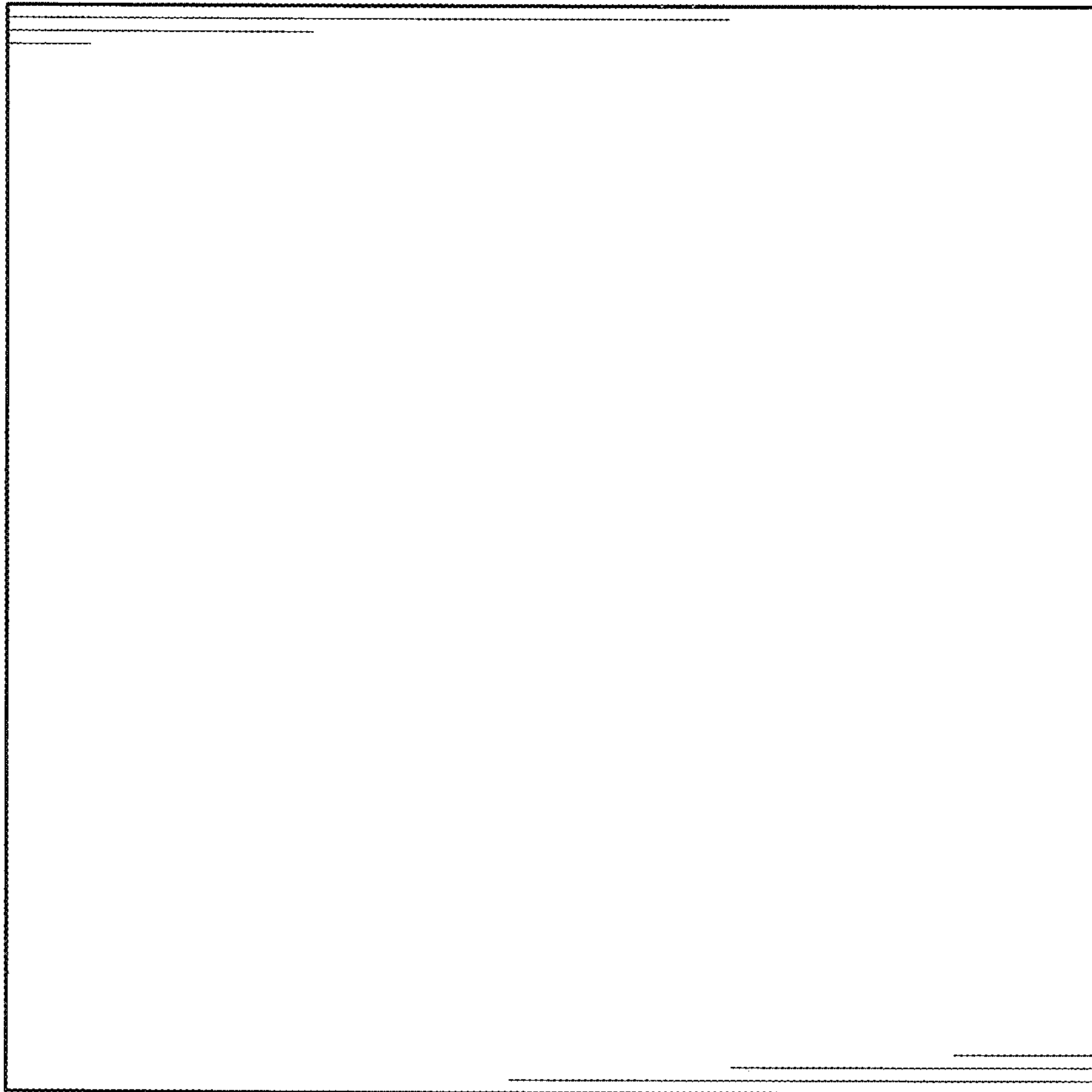


FIG. 8