



US00D914261S

(12) **United States Design Patent**  
**Ouyang**

(10) **Patent No.:** **US D914,261 S**

(45) **Date of Patent:** **\*\* Mar. 23, 2021**

(54) **SOLAR LIGHT**

(71) Applicant: **Jinhua Ouyang**, Huangtuling Town  
(CN)

(72) Inventor: **Jinhua Ouyang**, Huangtuling Town  
(CN)

(\*\*) Term: **15 Years**

(21) Appl. No.: **29/732,587**

(22) Filed: **Apr. 25, 2020**

(51) **LOC (13) Cl.** ..... **26-03**

(52) **U.S. Cl.**  
USPC ..... **D26/65**

(58) **Field of Classification Search**  
USPC ..... D26/24, 51, 61, 63, 65, 72, 80  
CPC .... F21S 8/04; F21S 8/00; F21V 21/00; F21V  
17/02; F21V 14/02; F21V 21/30; F21V  
21/14; F21V 21/26; F21W 2131/10  
See application file for complete search history.

(56) **References Cited**

**U.S. PATENT DOCUMENTS**

D805,236 S	12/2017	Exley	
D805,672 S *	12/2017	Dai	D26/63
D866,035 S *	11/2019	Tan	D26/63
D866,036 S	11/2019	Tan	
D866,057 S	11/2019	Lafleur	

D866,847 S	11/2019	Lafleur	
D866,848 S	11/2019	Lafleur	
D866,849 S	11/2019	Lafleur	
D874,714 S	2/2020	Lafleur	
D875,991 S	2/2020	Wan	
D879,352 S	3/2020	Liu	
D882,848 S *	4/2020	Zhang	D26/63
D892,380 S *	8/2020	Yan	D26/65

\* cited by examiner

*Primary Examiner* — Brian N. Vinson

(74) *Attorney, Agent, or Firm* — Law Offices Of Steven W. Weinrieb

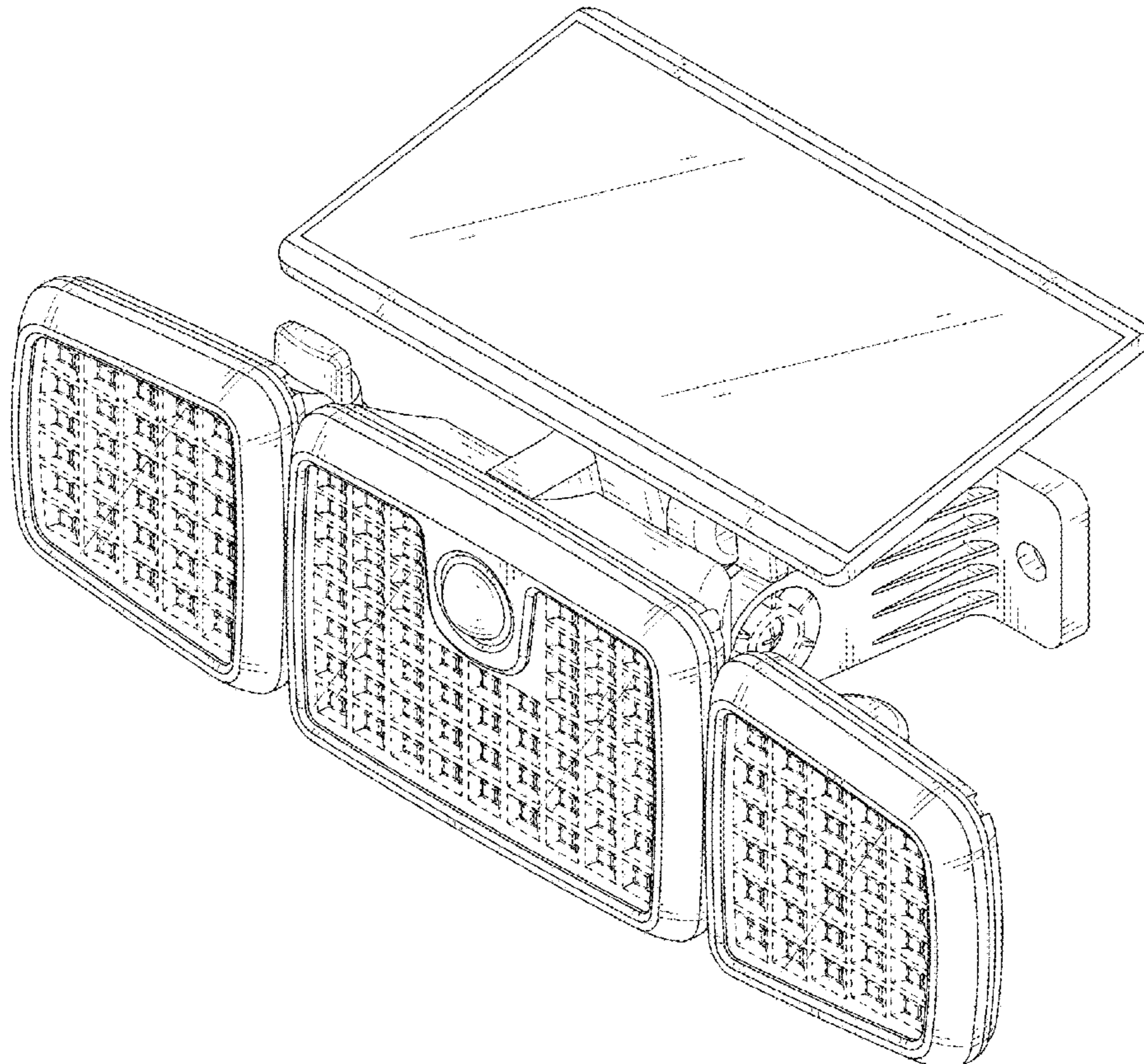
(57) **CLAIM**

The ornamental design for a solar light, as shown and described.

**DESCRIPTION**

FIG. 1 is a front, right side, top perspective view of a solar light showing my new design;  
FIG. 2 is a rear, left side, bottom perspective view thereof;  
FIG. 3 is a front elevational view thereof;  
FIG. 4 is a rear elevational view thereof;  
FIG. 5 is a left side elevational view thereof;  
FIG. 6 is a right side elevational view thereof;  
FIG. 7 is a top plan view thereof; and,  
FIG. 8 is a bottom plan view thereof.  
The broken lines depict portions of the solar light that form no part of the claimed design.

**1 Claim, 8 Drawing Sheets**



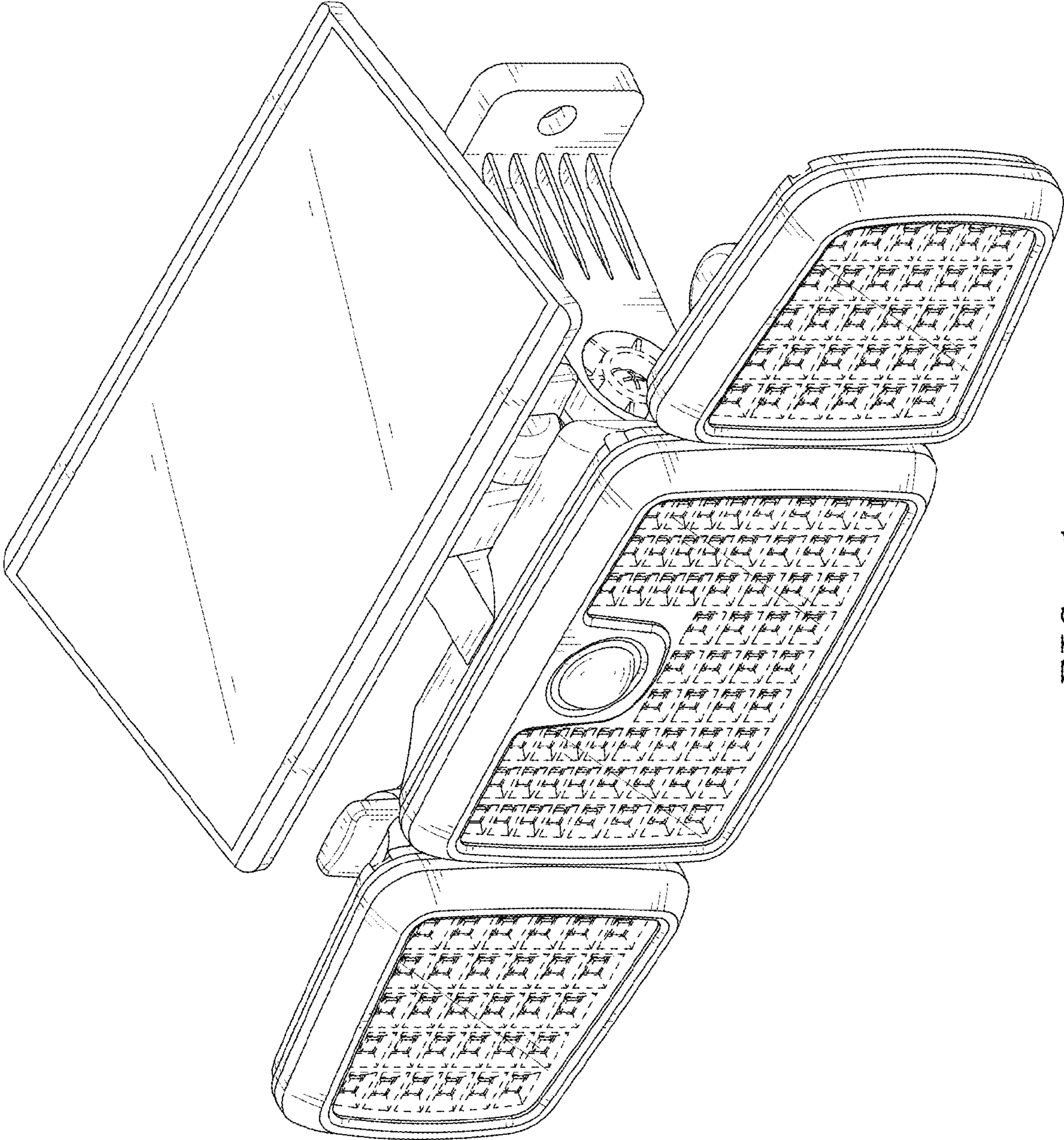


FIG. 1

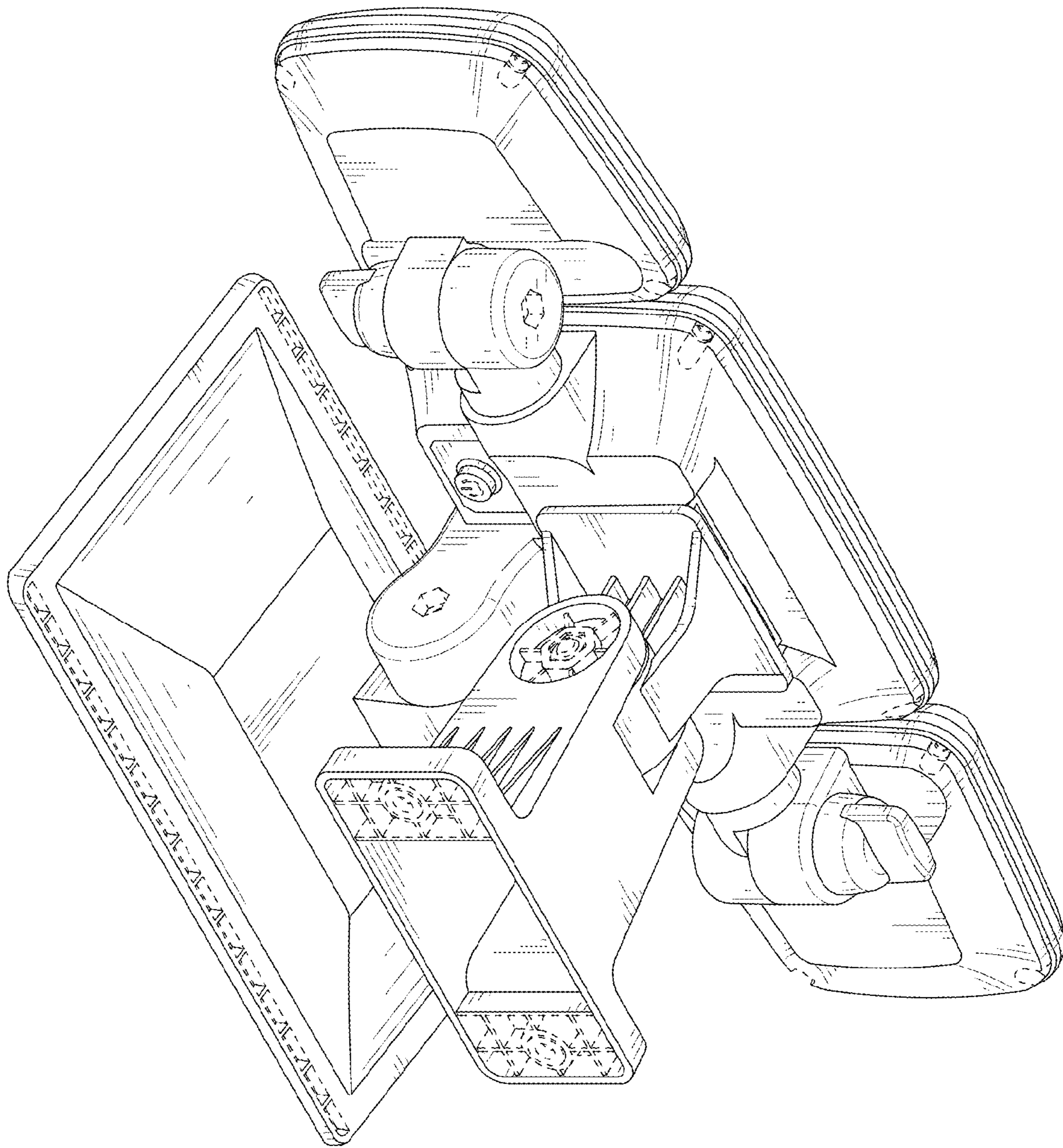


FIG. 2

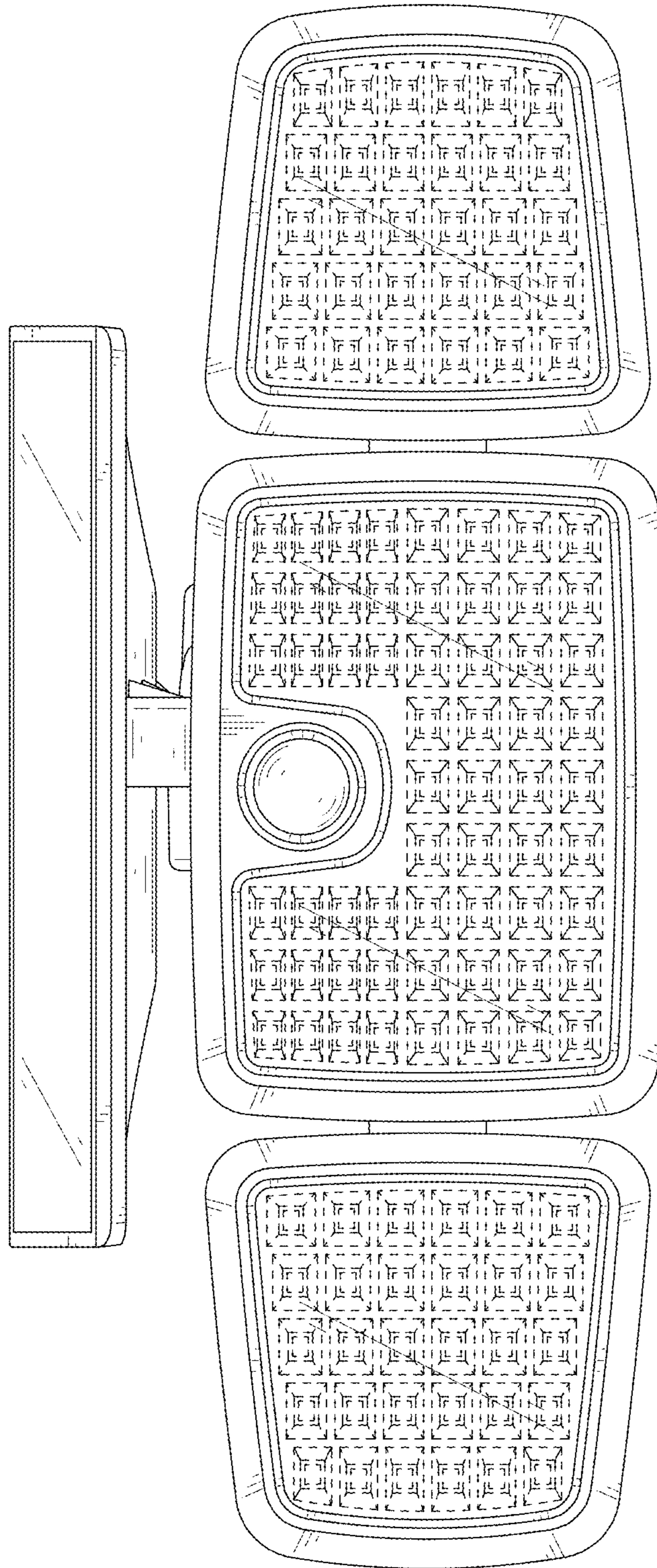


FIG. 3

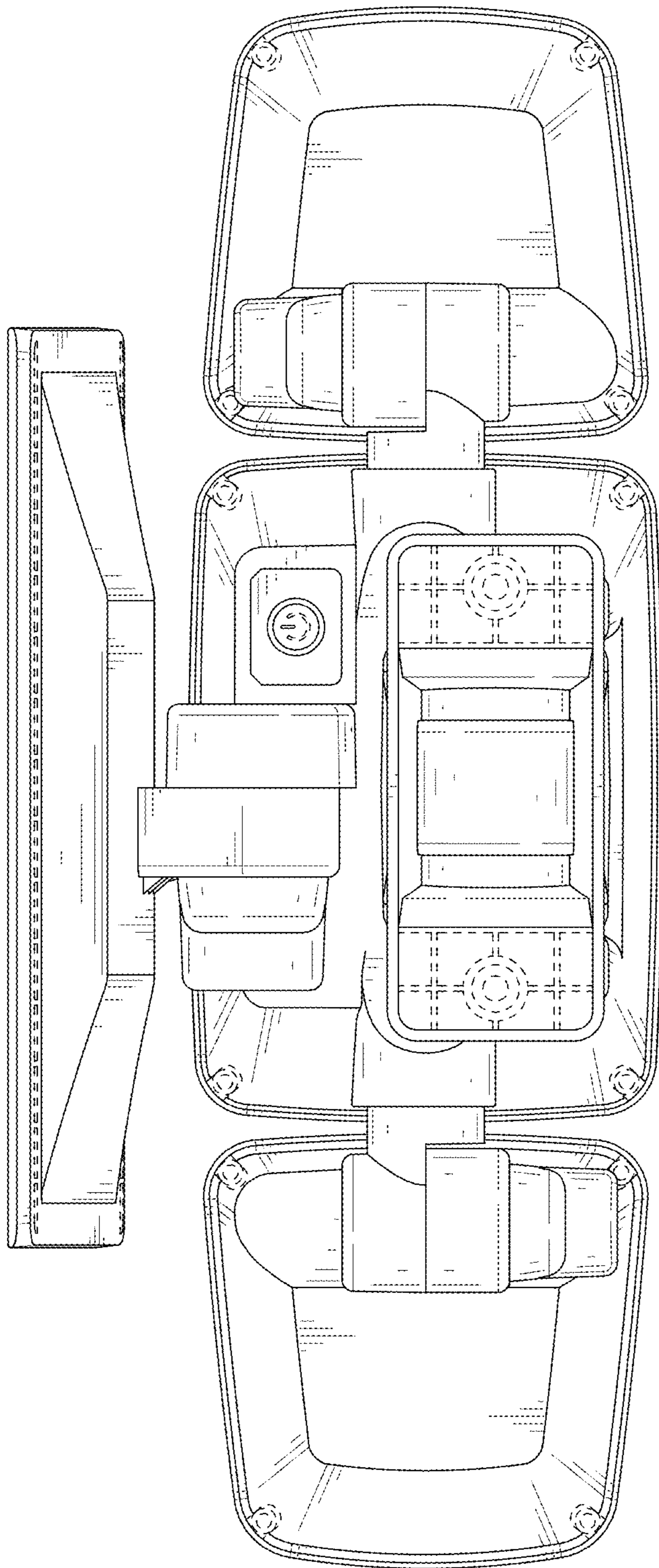


FIG. 4

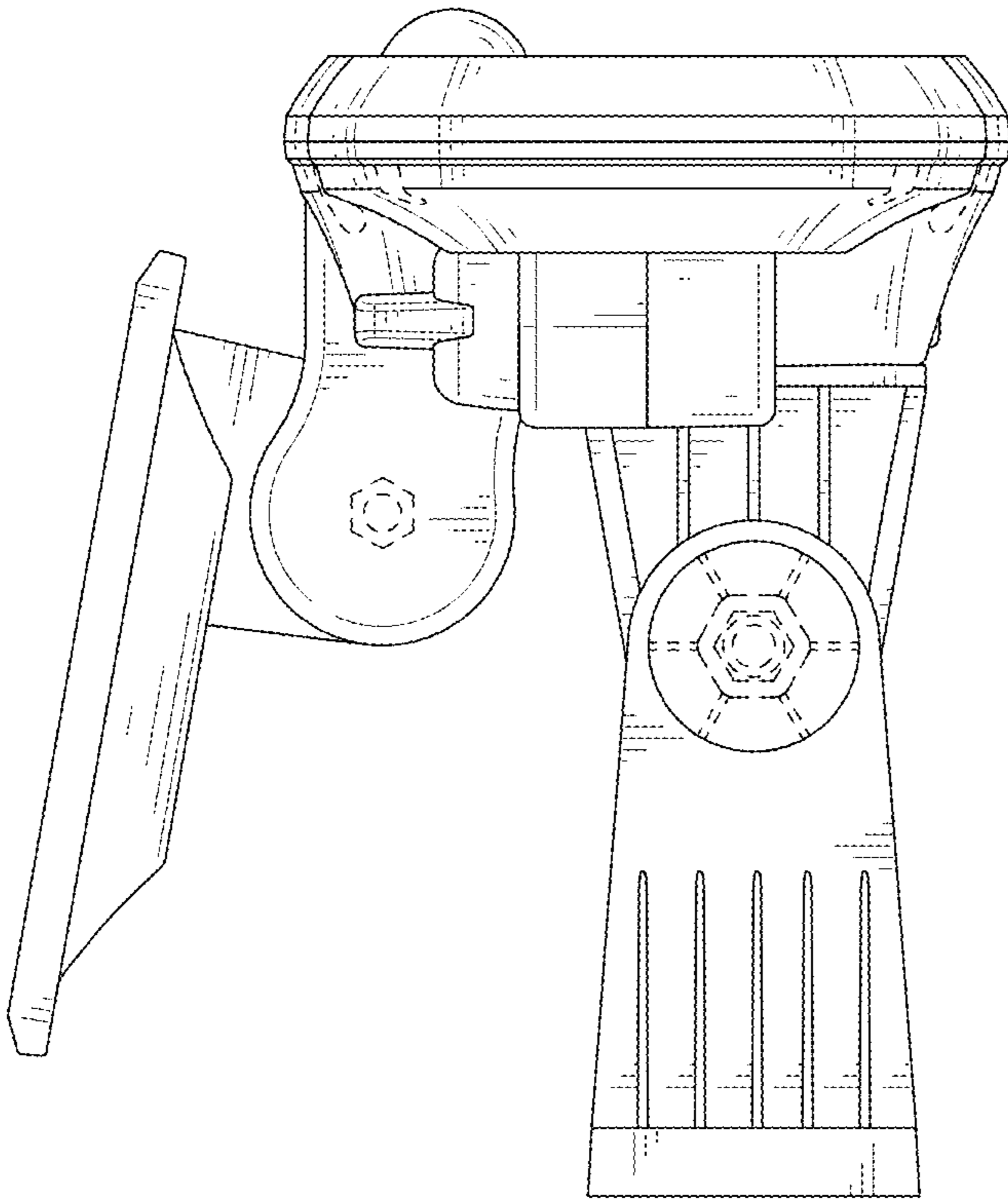


FIG. 5

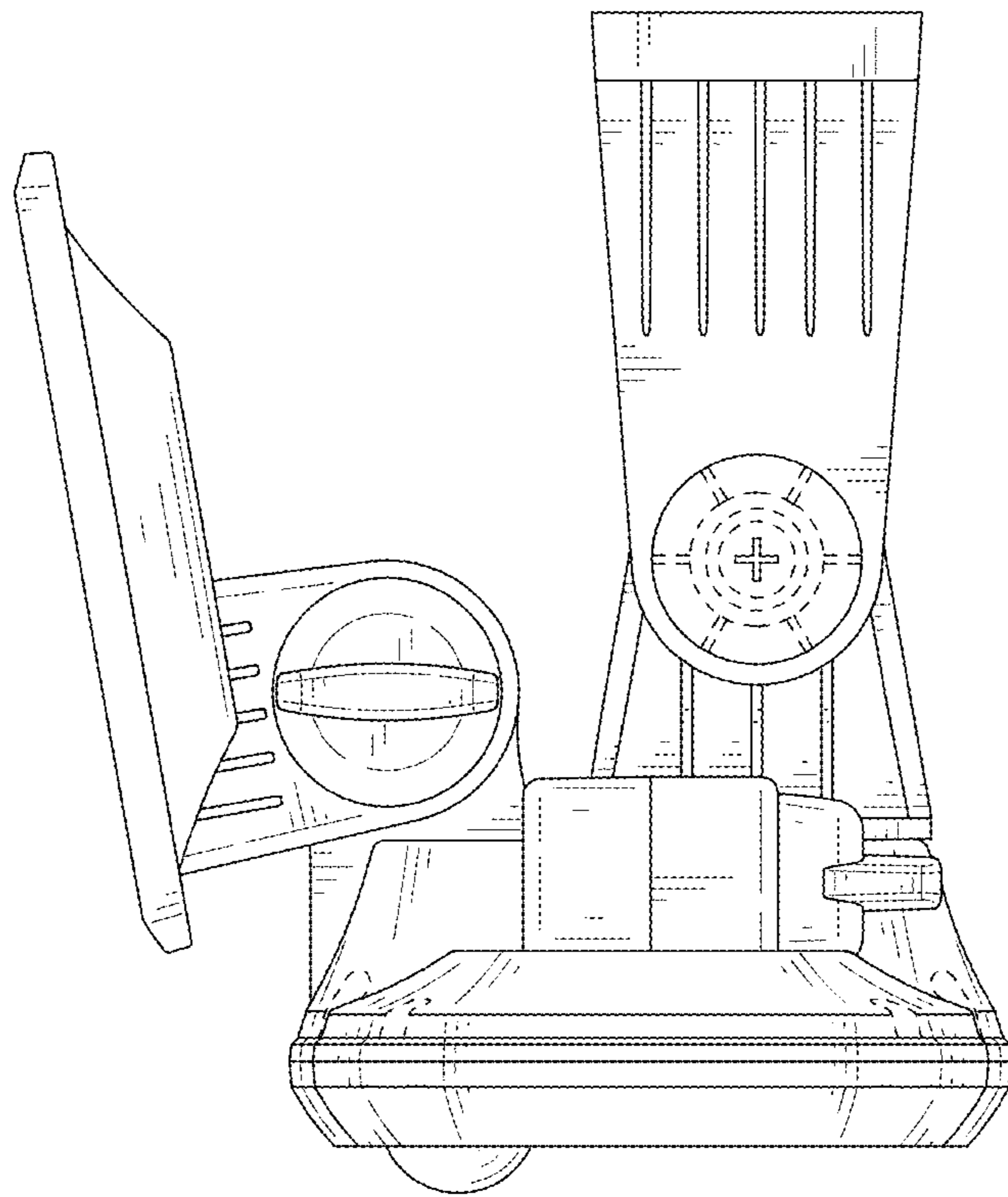


FIG. 6

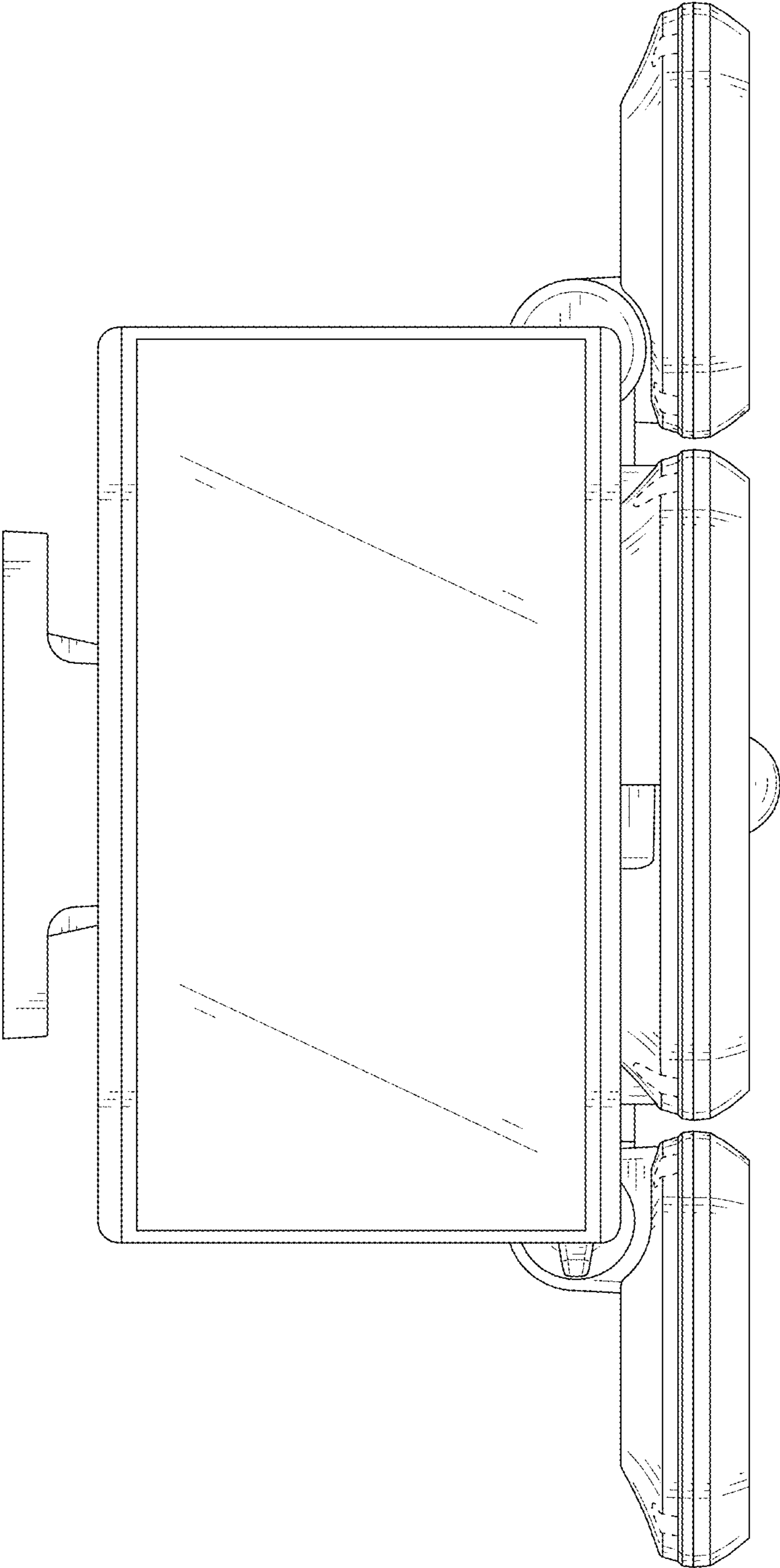


FIG. 7



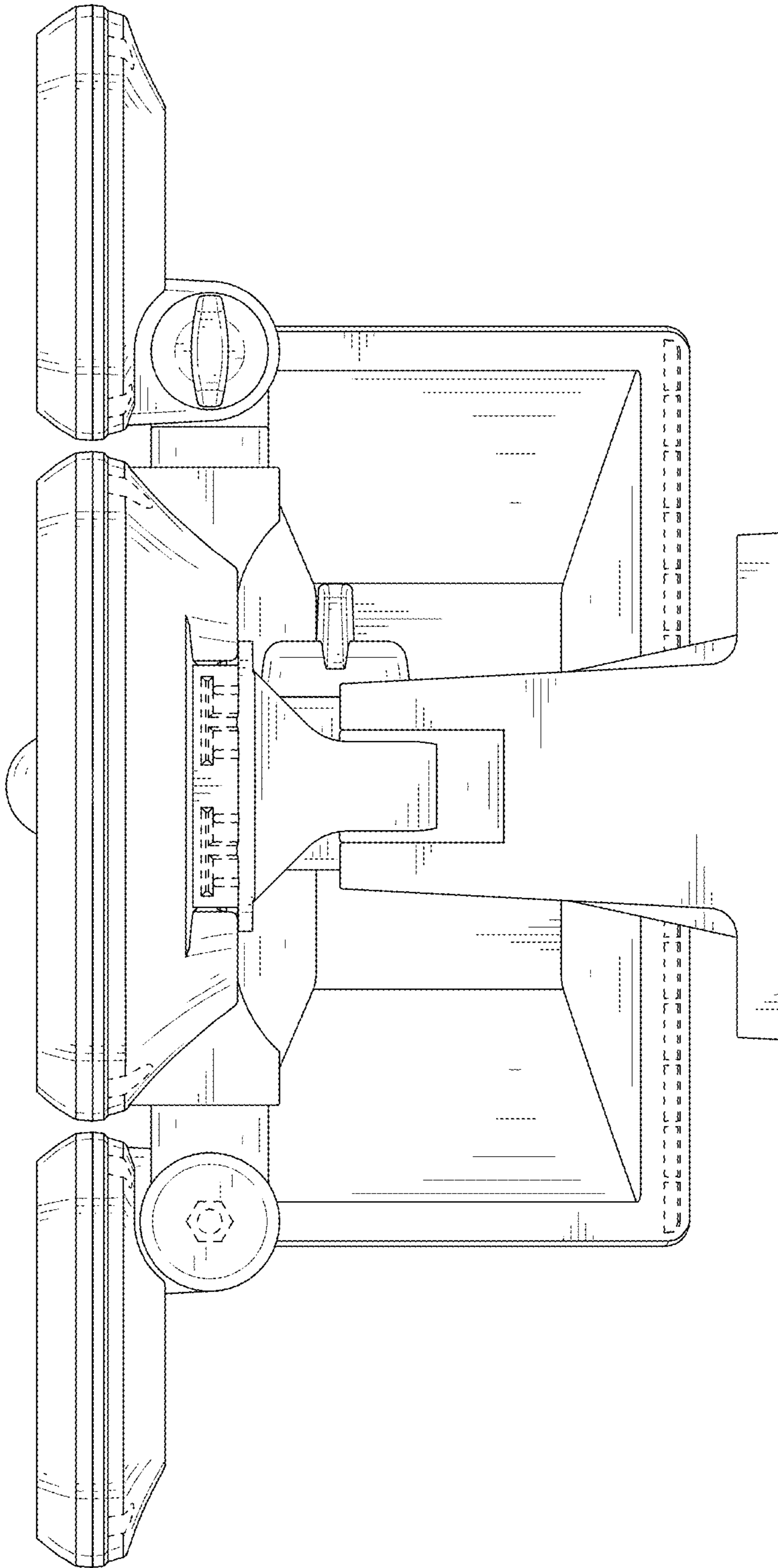


FIG. 8