



US00D914260S

(12) **United States Design Patent**
Worman

(10) **Patent No.:** **US D914,260 S**
(45) **Date of Patent:** **** Mar. 23, 2021**

(54) **FLASHLIGHT HAVING TAIL LIGHTS**

FOREIGN PATENT DOCUMENTS

(71) Applicant: **Streamlight, Inc.**, Eagleville, PA (US)

CA 2544975 5/2005
WO 2017176444 10/2017

(72) Inventor: **William D. Worman**, Audubon, PA (US)

OTHER PUBLICATIONS

(73) Assignee: **STREAMLIGHT, INC**, Eagleville, PA (US)

Webster's II New College Dictionary, published 1995, Houghton Mifflin Co. p. 559.

(**) Term: **15 Years**

(Continued)

(21) Appl. No.: **29/660,496**

Primary Examiner — Wan Laymon

(22) Filed: **Aug. 21, 2018**

Assistant Examiner — Clint A Samuel

(51) **LOC (13) Cl.** **26-05**

(74) *Attorney, Agent, or Firm* — Niels Haun; Dann, Dorfman, Herrell & Skillman, P.C.

(52) **U.S. Cl.**
USPC **D26/60**

(57) **CLAIM**

(58) **Field of Classification Search**
USPC D26/24, 38, 51, 60; D22/108, 109, 110,
D22/199; 42/111, 113, 114, 115;
362/110

The ornamental design for a flashlight having tail lights, substantially as shown and described.

CPC F41G 11/002; F41G 11/003; F41G 11/004;
F41G 1/00; F41G 1/35; F41G 1/36; F41G
1/345; F21L 4/00

DESCRIPTION

See application file for complete search history.

FIG. 1 is a perspective view of the ornamental design for a flashlight having tail lights;

(56) **References Cited**

U.S. PATENT DOCUMENTS

1,203,576 A	11/1916	Broadhead
1,645,487 A	10/1927	Harling
1,671,744 A	5/1928	Rosenberg
1,816,065 A	7/1931	Weidman
2,581,129 A	1/1952	Muldoon
2,716,700 A	8/1955	La France
3,003,057 A	10/1961	Cheng
4,045,663 A	8/1977	Young
4,135,230 A	1/1979	Armbruster
5,067,058 A	11/1991	Standley
D353,055 S	12/1994	Kish
5,558,430 A	9/1996	Booty, Jr.
D378,434 S	3/1997	Petterson

FIG. 2 is a second perspective view of the ornamental design of FIG. 1;

FIG. 3 is a side view of a first side of the ornamental design of FIG. 1, of which the opposite side is a mirror image;

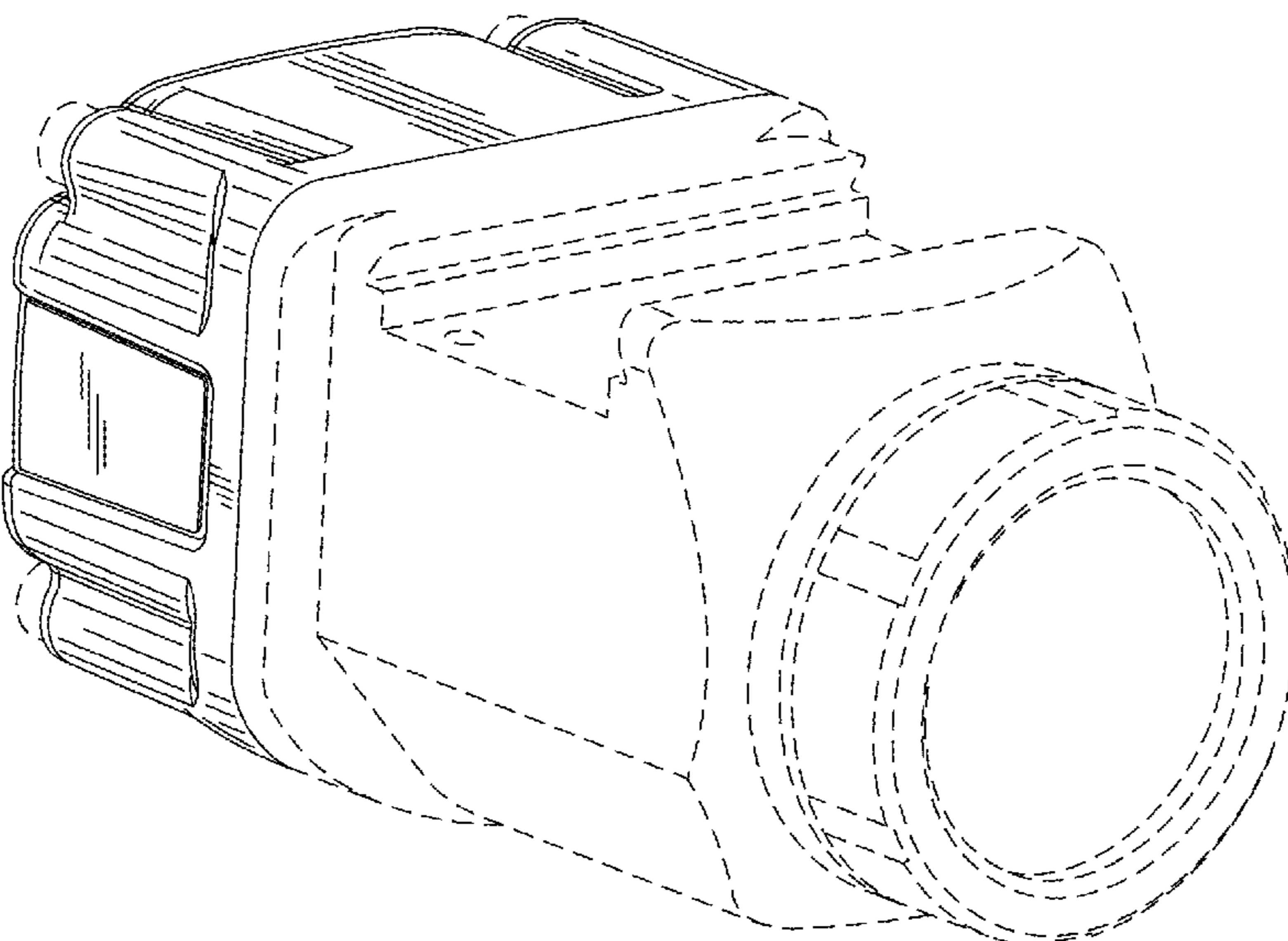
FIG. 4 is a side view of a second side of the ornamental design of FIG. 1;

FIG. 5 is a side view of a third side of the ornamental design of FIG. 1;

FIG. 6 is an end view of a first end of the ornamental design of FIG. 1; and,

FIG. 7 is an end view of a second end of the ornamental design of FIG. 1.

The broken line showing in the drawings is included for the purpose of illustrating portions of the flashlight having tail lights and forms no part of the claimed design.



1 Claim, 5 Drawing Sheets

(56)

References Cited

U.S. PATENT DOCUMENTS

5,755,644 A 5/1998 Breems
 5,800,045 A 9/1998 Kish
 5,871,272 A 2/1999 Sharrah
 D407,514 S 3/1999 Yuen
 6,099,141 A 8/2000 Landamia
 6,158,874 A 12/2000 Brustein
 6,168,288 B1 1/2001 St Claire
 6,302,570 B1 10/2001 Petell
 6,305,818 B1 10/2001 Lebens
 6,318,879 B1 11/2001 Huang
 6,331,062 B1 12/2001 Sinclair
 6,439,733 B1 8/2002 Fischer
 6,450,659 B1 9/2002 Salatino
 6,523,972 B2 2/2003 Sharrah
 6,565,241 B1 5/2003 Glynn
 7,059,744 B2 6/2006 Sharrah
 7,172,310 B2 2/2007 Hsu
 7,188,978 B2 3/2007 Sharrah
 D542,446 S * 5/2007 DiCarlo D26/38
 D548,385 S 8/2007 Sharrah
 D566,314 S 4/2008 Jen
 RE40,342 E 5/2008 Krieger
 D568,508 S * 5/2008 Howe D26/38
 7,401,941 B2 7/2008 Teng
 D578,599 S * 10/2008 Cheng D16/130
 7,481,551 B2 1/2009 Sharrah
 7,614,760 B2 11/2009 Sharrah
 D605,795 S 12/2009 Baker
 D611,629 S 3/2010 Sharrah
 D612,970 S 3/2010 Sharrah
 7,689,491 B2 3/2010 Coates
 7,731,385 B2 6/2010 Spartano
 8,287,157 B2 10/2012 Sharrah
 D674,525 S 1/2013 Sharrah
 8,371,729 B2 2/2013 Sharrah
 D681,858 S 5/2013 Sharrah
 D685,510 S 7/2013 Henry
 D707,869 S 6/2014 Wu
 D712,001 S * 8/2014 Wells D22/108
 8,905,573 B2 12/2014 Sharrah
 D728,139 S 4/2015 Wang
 D732,134 S * 6/2015 Wells D22/108
 D737,487 S 8/2015 Beckett
 D740,986 S 10/2015 Hine
 D751,742 S 3/2016 Windom
 D765,295 S 8/2016 McLennan
 D767,187 S 9/2016 Hine
 D796,622 S 9/2017 Sharrah
 D807,981 S * 1/2018 Cheng D22/108
 D857,268 S * 8/2019 Worman D26/60
 D857,960 S * 8/2019 Worman D26/60
 D872,334 S * 1/2020 Fan D26/60

D885,510 S * 5/2020 Wells D22/108
 10,697,623 B2 * 6/2020 Worman F21V 15/01
 D898,260 S * 10/2020 Worman D26/60
 2002/0149928 A1 10/2002 Watterson
 2002/0191396 A1 12/2002 Reiff
 2003/0156407 A1 8/2003 Galli
 2005/0082989 A1 4/2005 Jones
 2005/0094388 A1 5/2005 Booty
 2005/0099804 A1 5/2005 Sharrah
 2006/0034074 A1 2/2006 Ko
 2006/0262527 A1 11/2006 Sharrah
 2009/0190332 A1 7/2009 Sharrah
 2010/0277899 A1 11/2010 Peak
 2012/0139452 A1 6/2012 Galli
 2012/0182723 A1 7/2012 Sharrah
 2014/0092590 A1 4/2014 Parker
 2015/0276347 A1 10/2015 Sharrah
 2016/0018071 A1 1/2016 Sharrah
 2017/0284646 A1 10/2017 Arena
 2019/0154243 A1 * 5/2019 Worman F21V 15/01
 2019/0301835 A1 * 10/2019 Tayon F41G 1/35
 2019/0316882 A1 * 10/2019 Galli F41G 11/003
 2020/0173640 A1 * 6/2020 Worman F21V 19/004

OTHER PUBLICATIONS

The "10 Mile Light", Bright Star Product Brochure published before Nov. 7, 2003, 2 pages.
 LiteBox, sold prior to Nov. 2003.
 Streamlight, "TLR-VIR Product Fact Sheet", Issued Oct. 3, 2008, Revised Apr. 21, 2014, 1 sheet, Document #255.
 Streamlight, "TLR-VIR Operating Instructions", © 2012, Rev B 5/12, 8 pages.
 Streamlight, "TLR-VIR Tactical Gun Mount", printed Feb. 29, 2016, 2 pages, <http://www.streamlight.com/en-au/product.html?pid=198>.
 Streamlight, "Vantage Product Fact Sheet", Issued Apr. 4, 2008, Revised Jul. 1, 2014, 1 sheet, Document #249.
 Streamlight, "Vantage Operating Instructions", Rev D 7/13, 20 pages.
 Streamlight, "Vantage Helmet Mount", printed Feb. 29, 2016, 2 pages, <http://www.streamlight.com/it-it/product/product.html?pid=194>.
 Streamlight, "Fire Vulcan—Rechargeable Lantern Product Specifications and Product Fact Sheet", Issued Oct. 1, 2004, Revised Dec. 23, 2016, Document #140, 3 pages.
 Streamlight, "Fire Vulcan LED—Rechargeable Lantern Product Specifications and Product Fact Sheet", Issued Apr. 7, 2008, Revised Dec. 23, 2016, Document #241, 3 pages.
 International Searching Authority, "Notification of Transmittal of the International Search Report and the Written Opinion for International Application No. PCT/US17/23171", Aug. 2, 2017, 18 pages.

* cited by examiner

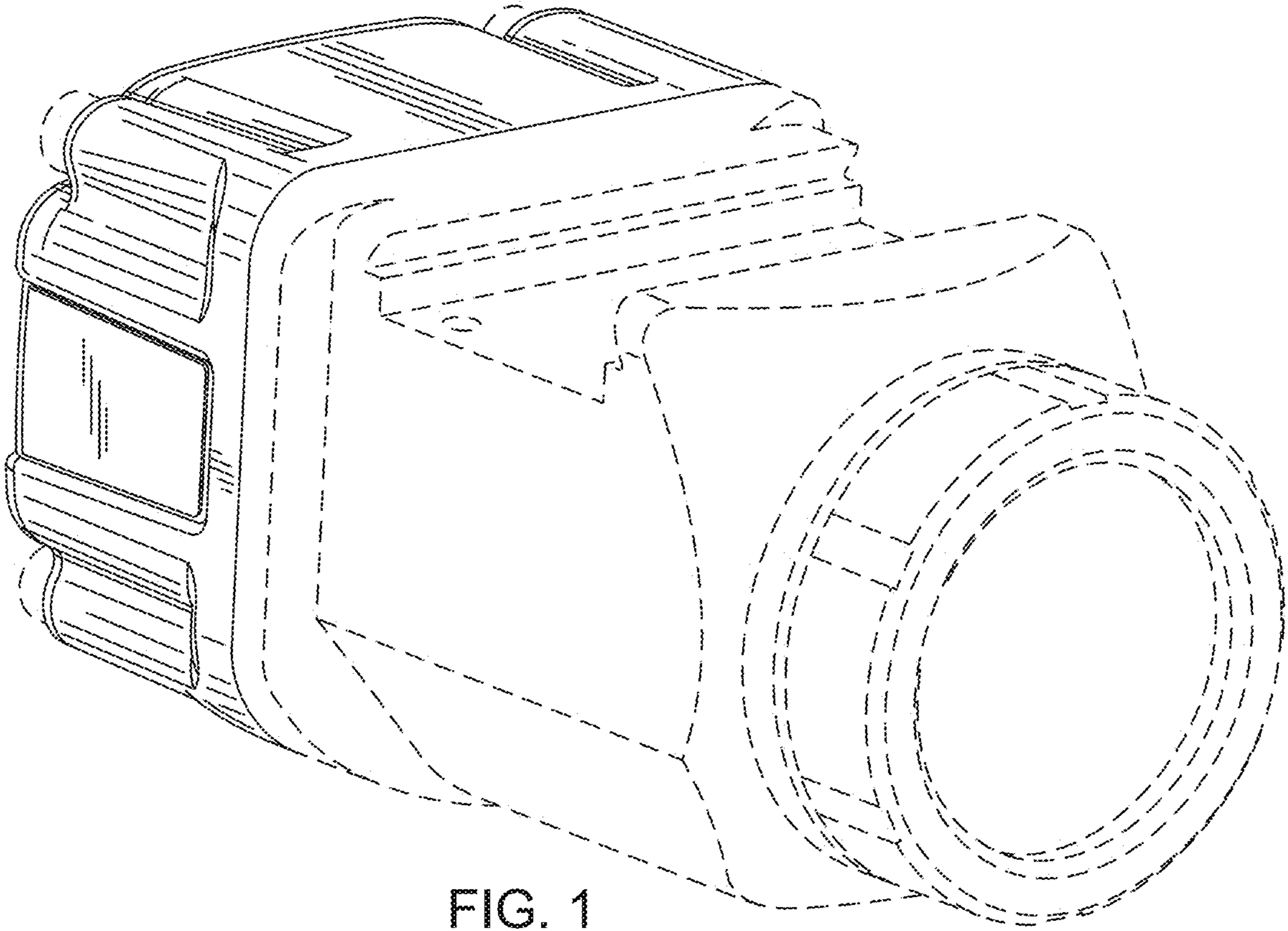


FIG. 1

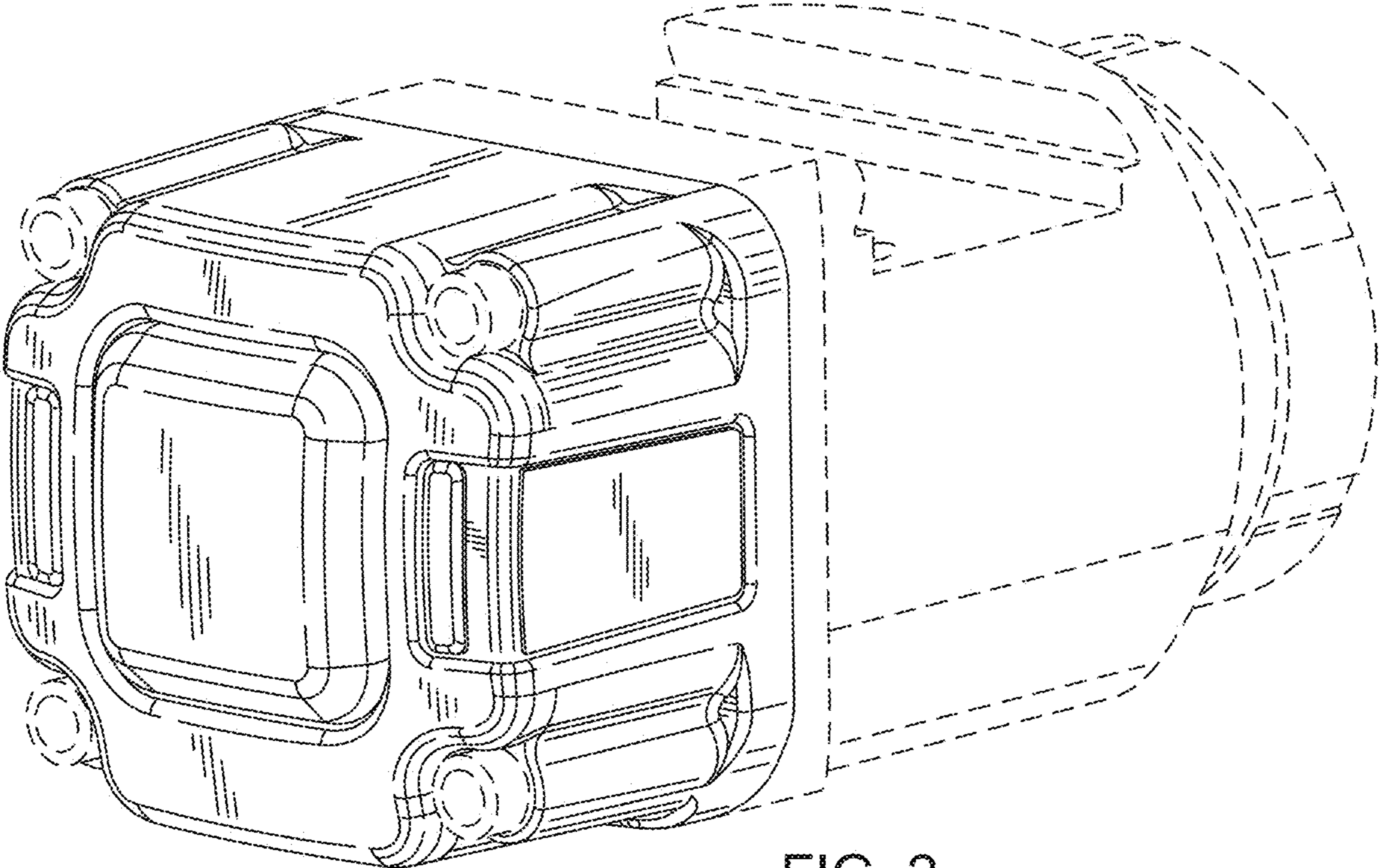


FIG. 2

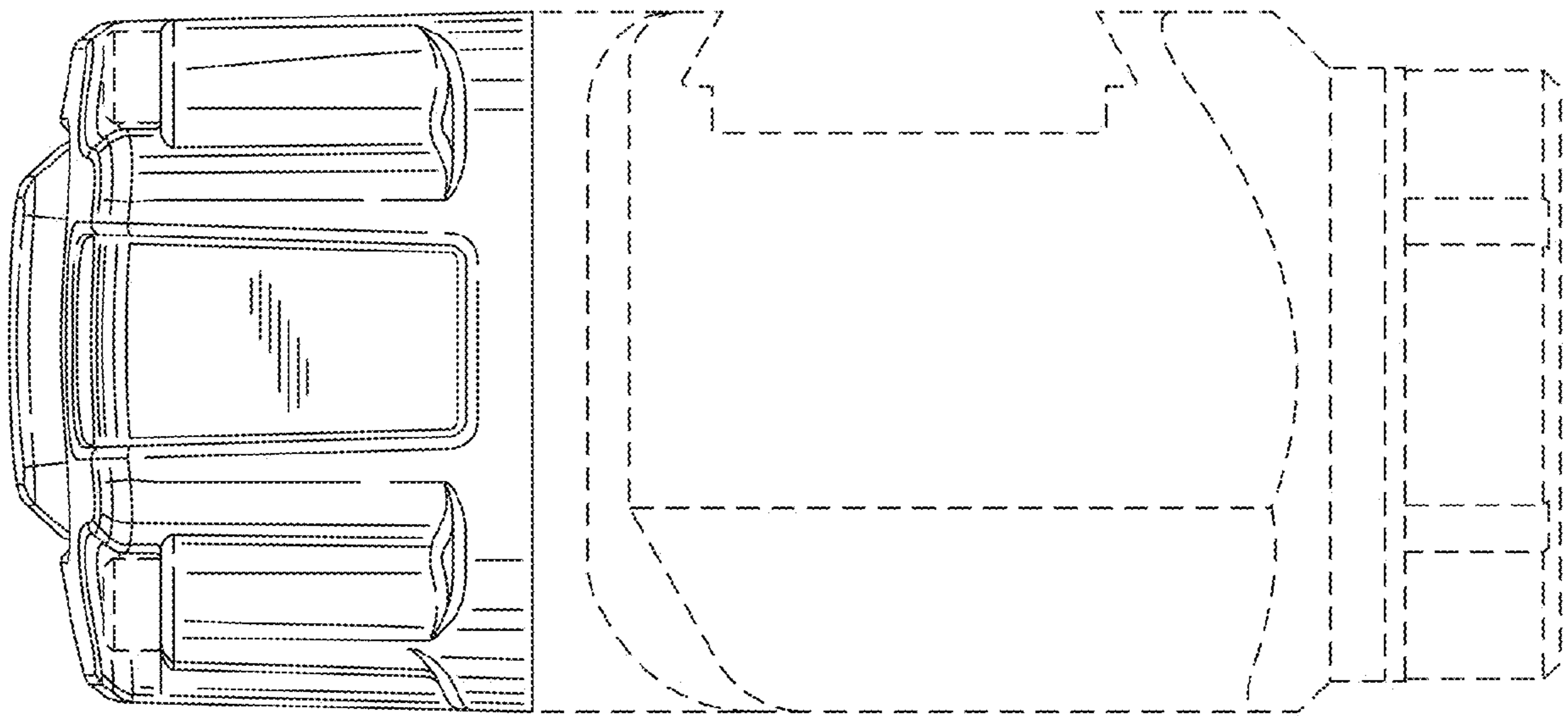


FIG. 3

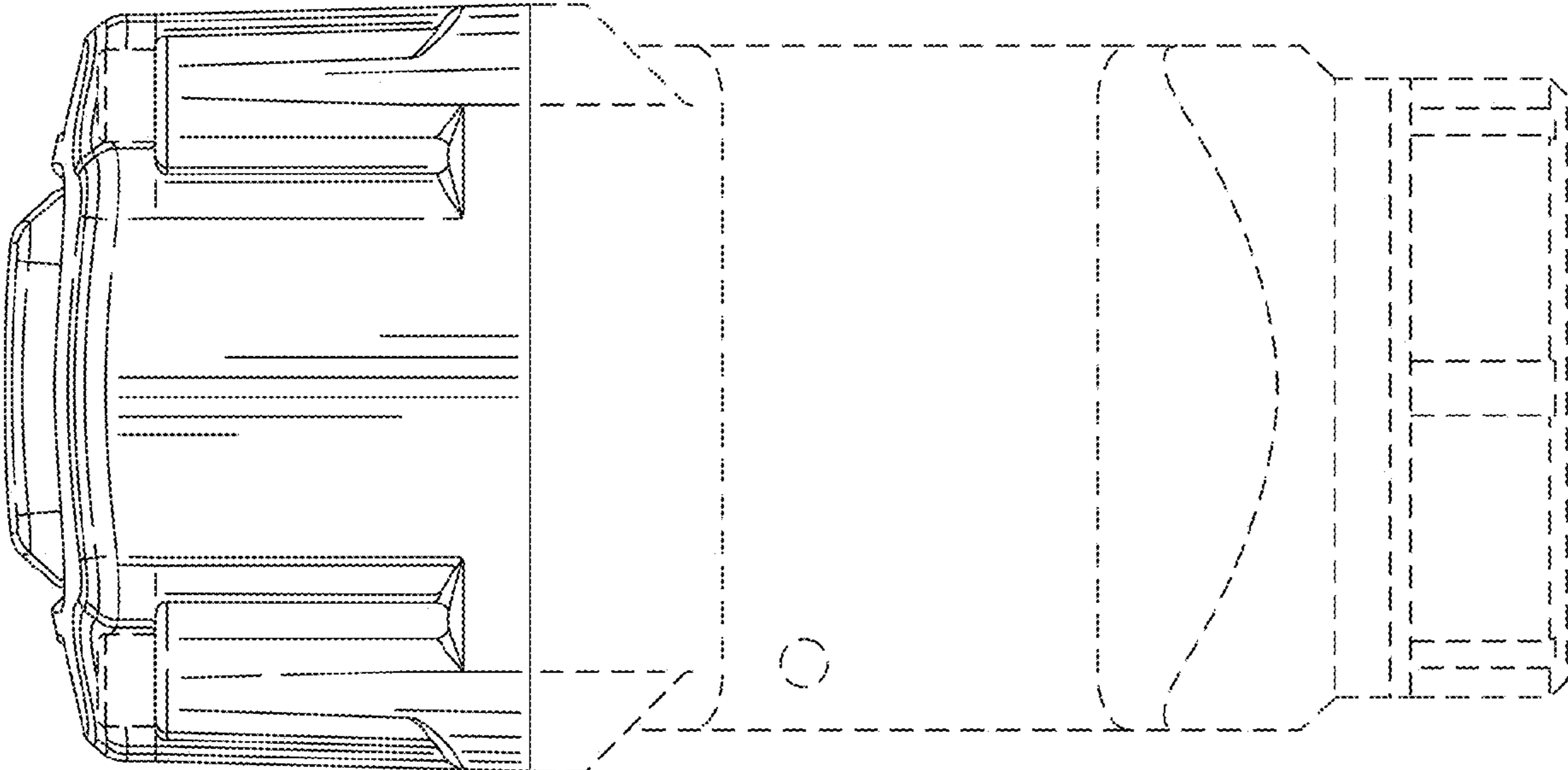


FIG. 4

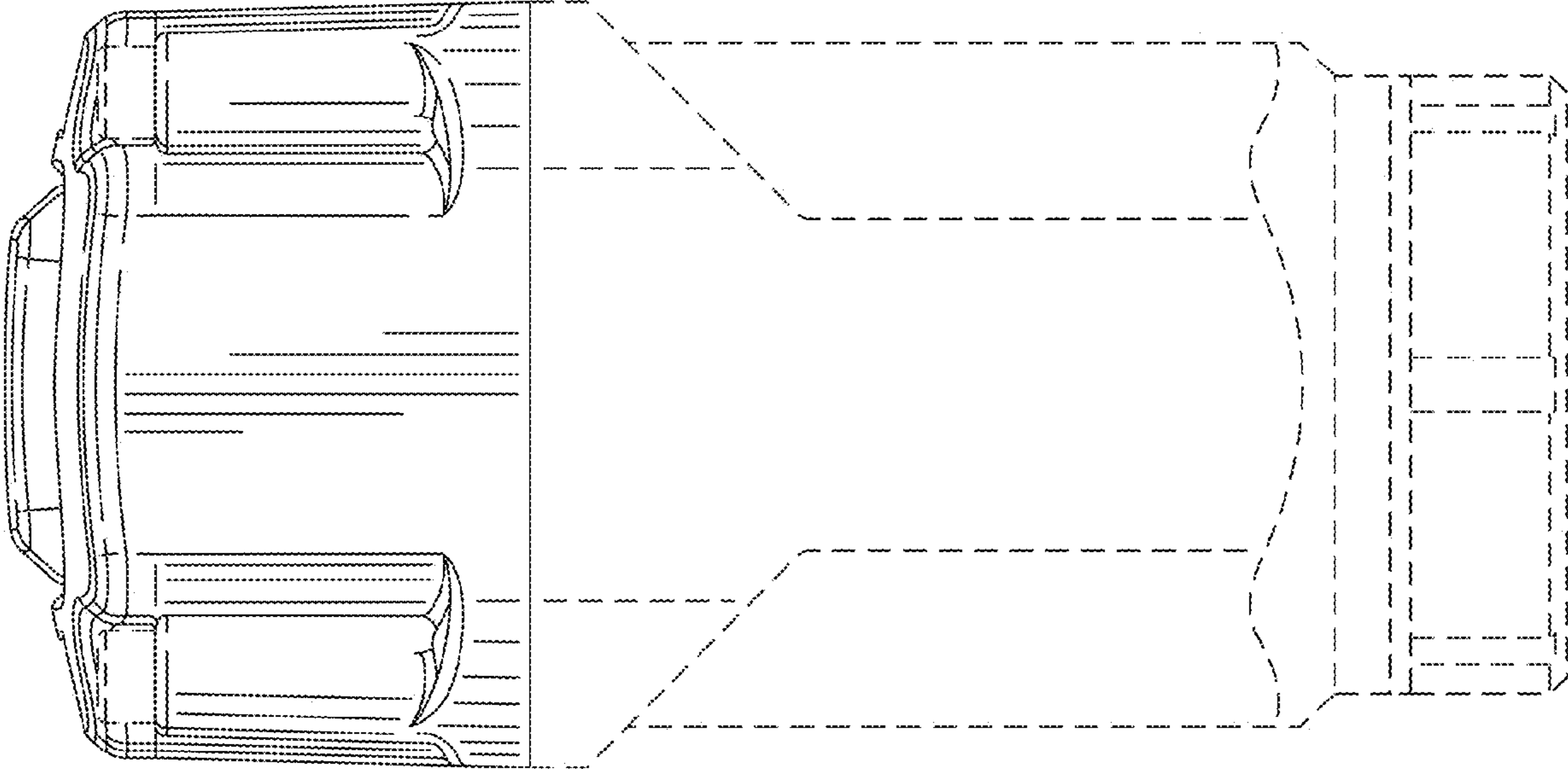


FIG. 5

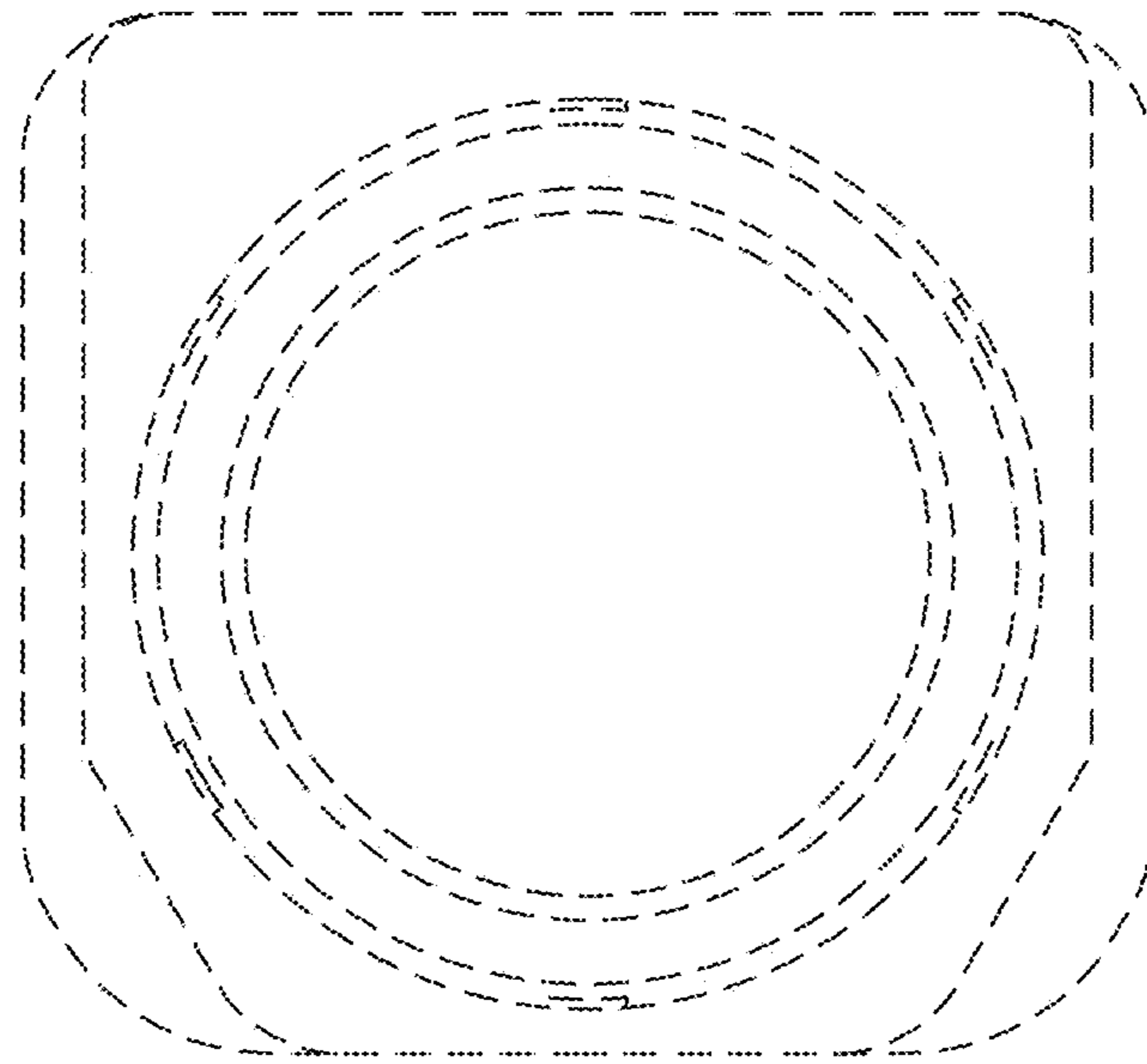


FIG. 6

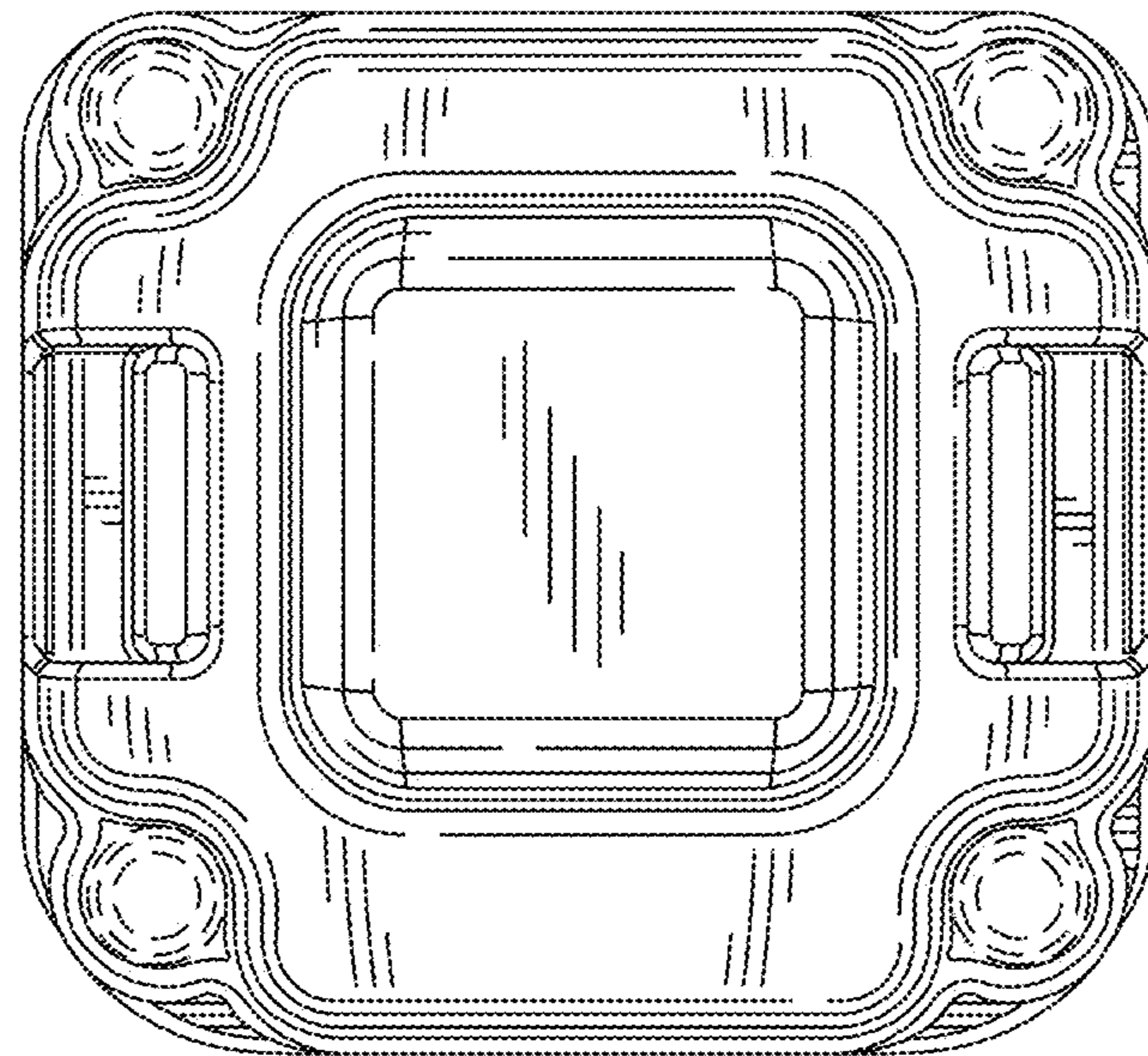


FIG. 7