



US00D914259S

(12) **United States Design Patent** (10) **Patent No.:** **US D914,259 S**
Kipp et al. (45) **Date of Patent:** **** Mar. 23, 2021**

- (54) **CABINET LIGHT**
- (71) Applicant: **Grass America Inc.**, Kernersville, NC (US)
- (72) Inventors: **Thomas Kipp**, Kernersville, NC (US); **Matthias Bulla**, Greensboro, NC (US); **Manfred Peer**, Walkertown, NC (US); **Daniel L. Moss**, High Point, NC (US); **Georg Domenig**, Kernersville, NC (US)
- (73) Assignee: **Grass America Inc.**, Kernersville, NC (US)
- (**) Term: **15 Years**
- (21) Appl. No.: **29/672,068**
- (22) Filed: **Dec. 3, 2018**
- (51) **LOC (13) Cl.** **26-05**
- (52) **U.S. Cl.**
USPC **D26/58; D26/72**
- (58) **Field of Classification Search**
USPC D10/111-115; D26/24, 26, 34, 44, 51, D26/58, 60, 61, 63, 72, 75, 76, 78, 80, D26/88, 89, 113, 118
CPC F21S 8/00; F21S 8/02; F21S 8/03; F21S 8/04; F21S 8/033; F21S 8/08; F21S 8/36; F21S 8/037; F21S 8/043; F21S 9/022; F21S 9/035; F21V 29/73
See application file for complete search history.

- (56) **References Cited**
U.S. PATENT DOCUMENTS
D128,054 S * 7/1941 Mitchell D26/60
D155,488 S * 10/1949 Crockett D26/60
D155,586 S * 10/1949 Darr D26/63

- D175,933 S * 11/1955 Crockett D26/60
- D337,842 S * 7/1993 Yuen D26/44
- D338,976 S * 8/1993 Miley, Jr. D26/42
- D576,334 S * 9/2008 Levine D26/76
- D608,043 S * 1/2010 Ko D26/76
- D658,798 S * 5/2012 Hillard D26/51
- D750,308 S * 2/2016 Rodgers D26/76
- 2006/0262520 A1* 11/2006 Tress F21V 21/35
362/133
- 2007/0177392 A1* 8/2007 Grigorik F21V 29/763
362/382
- 2020/0003397 A1* 1/2020 Van Winkle F21V 17/02

* cited by examiner
Primary Examiner — Kevin K Rudzinski
Assistant Examiner — Richard Kearney
(74) *Attorney, Agent, or Firm* — Burr & Brown, PLLC

(57) **CLAIM**
The ornamental design for a cabinet light, as shown and described.

DESCRIPTION
FIG. 1 is a perspective view of a cabinet light illustrating our new design;
FIG. 2 is a front view thereof;
FIG. 3 is a rear view thereof;
FIG. 4 is a left view thereof;
FIG. 5 is a right view thereof;
FIG. 6 is a top view thereof;
FIG. 7 is a bottom view thereof; and,
FIG. 8 is a perspective view of a cabinet light in a mounted position.
The broken lines and adjacent surfaces shown without surface shading illustrate portions of the cabinet light and form no part of the claimed design.

1 Claim, 5 Drawing Sheets

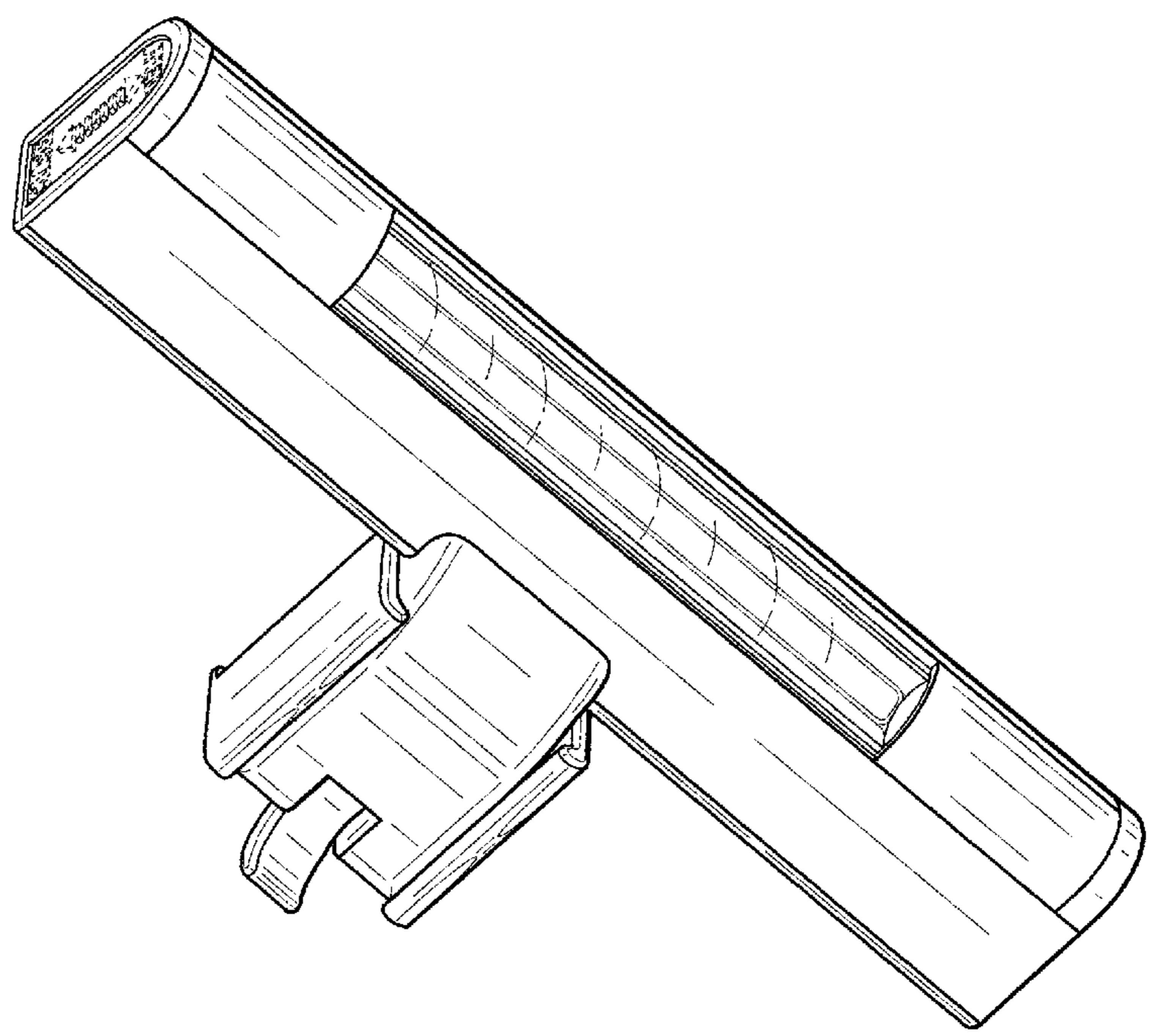


FIG. 1

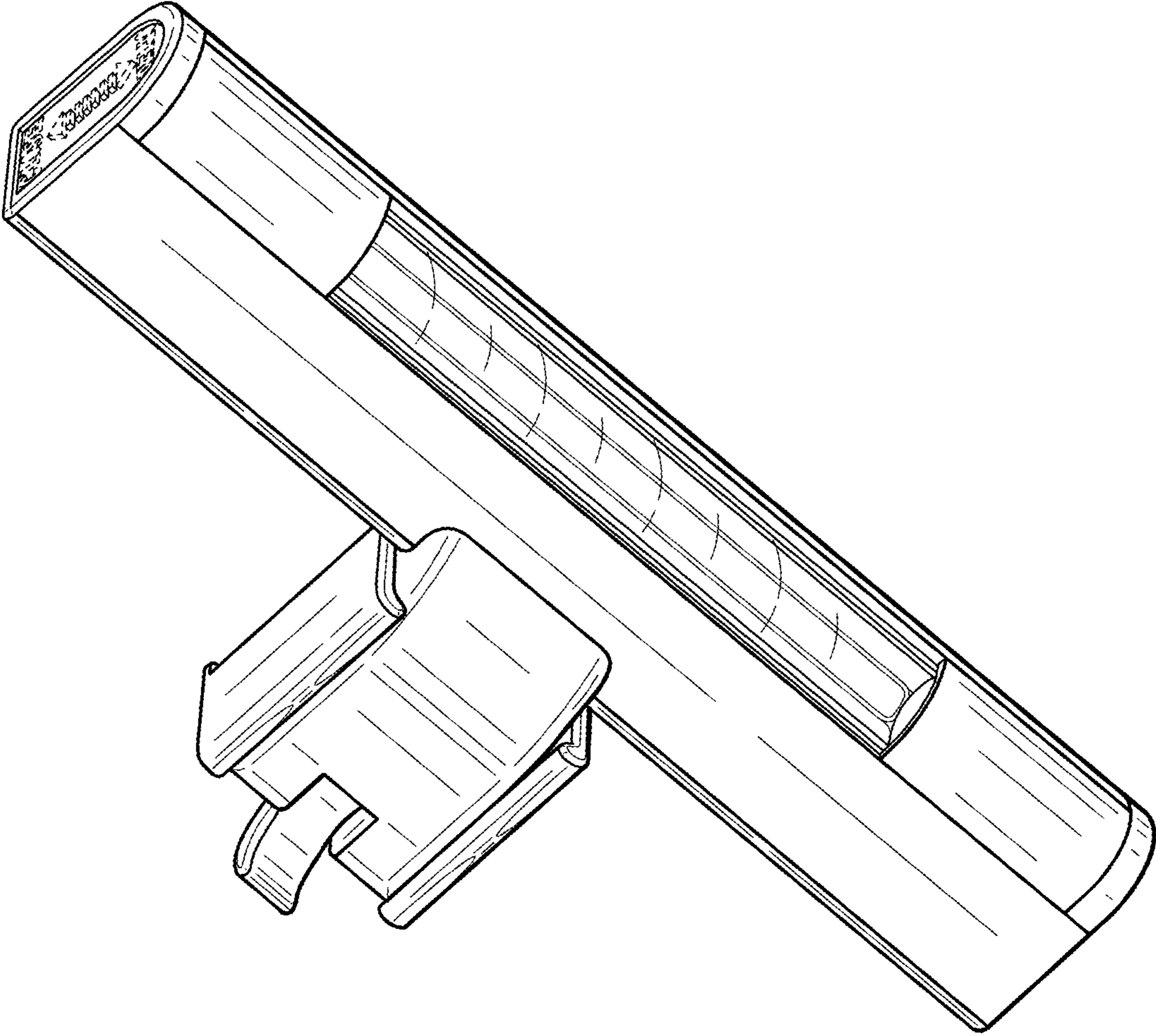


FIG. 2

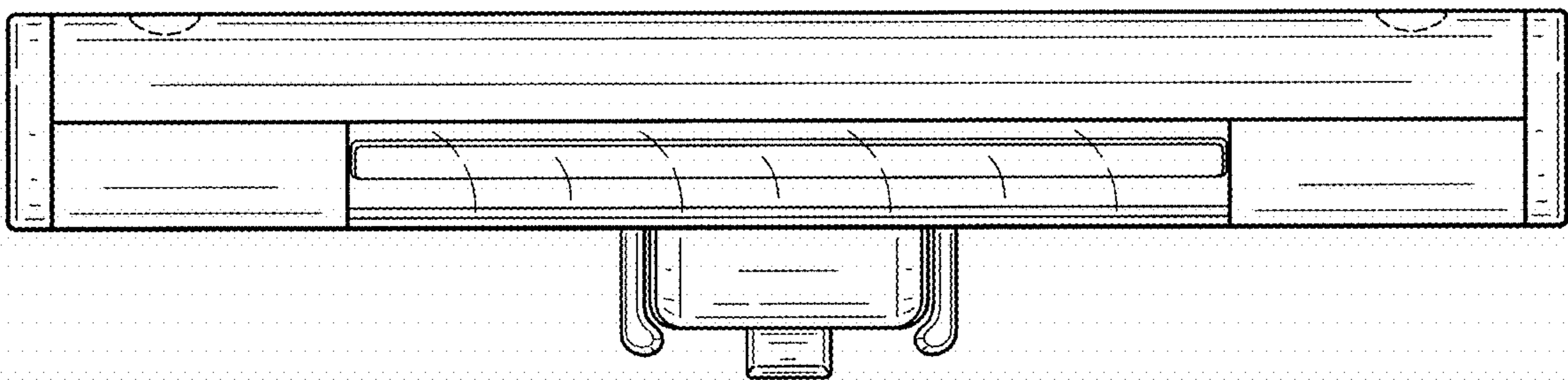


FIG. 3

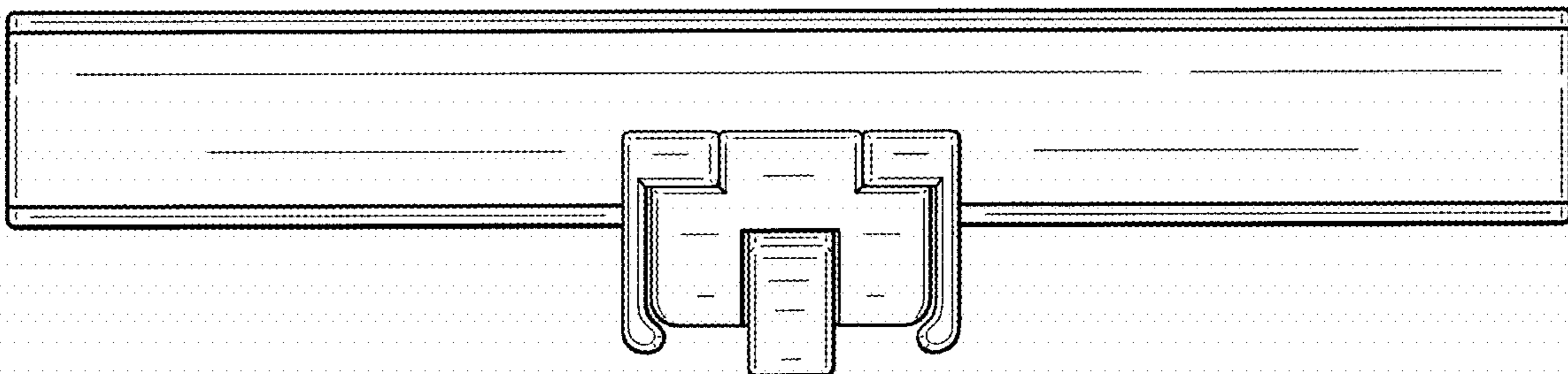


FIG. 4

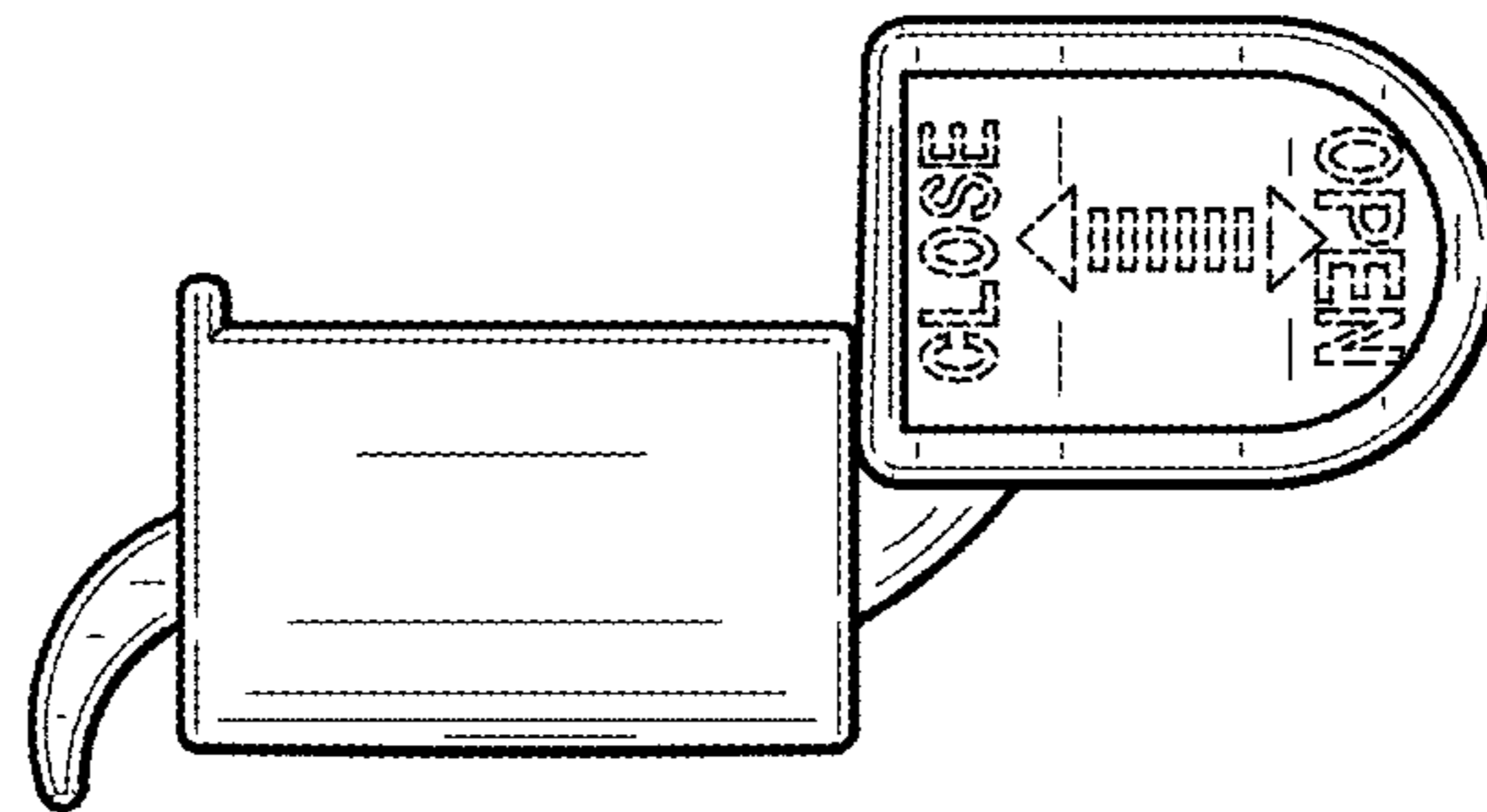


FIG. 5

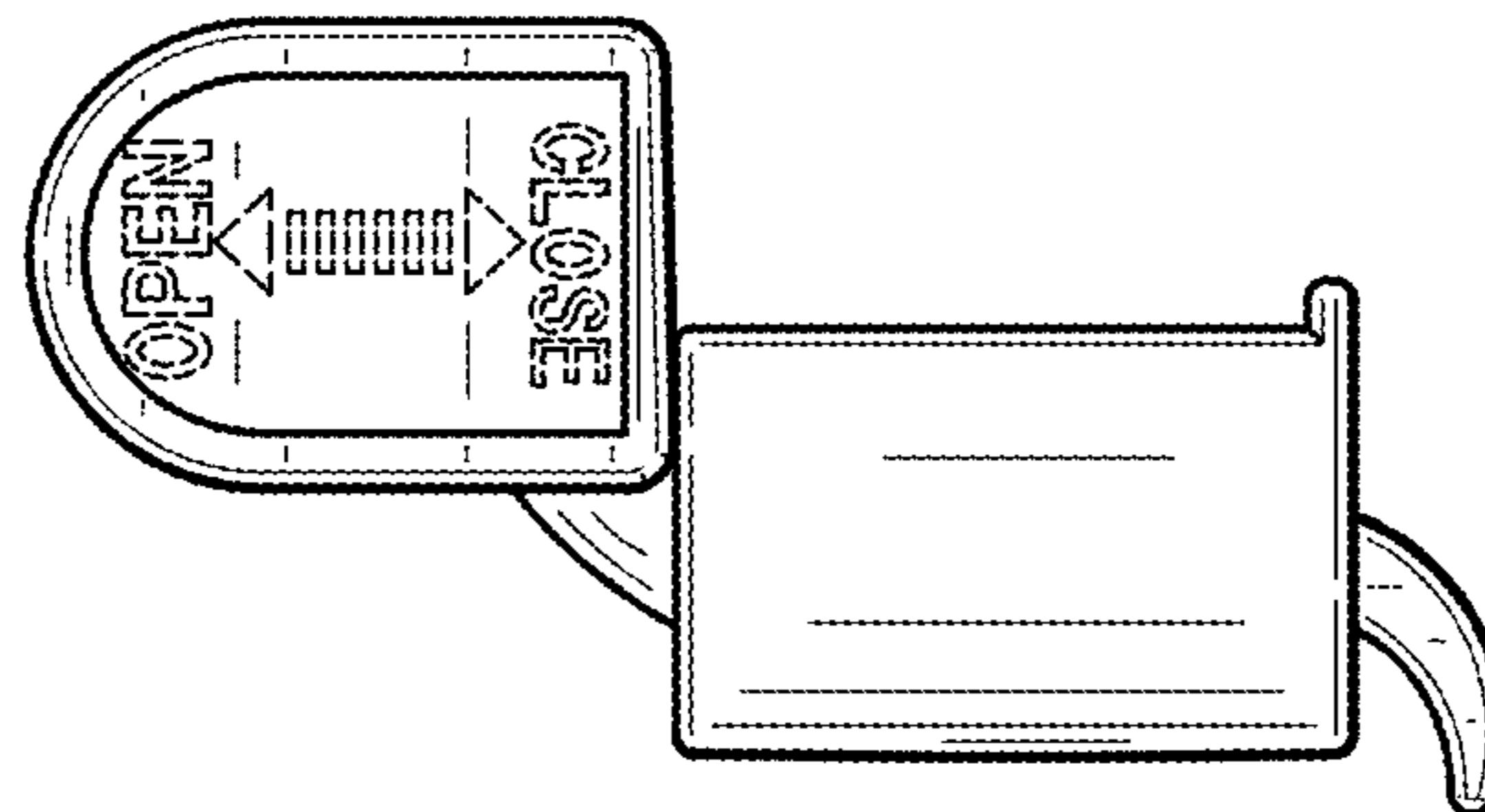


FIG. 6

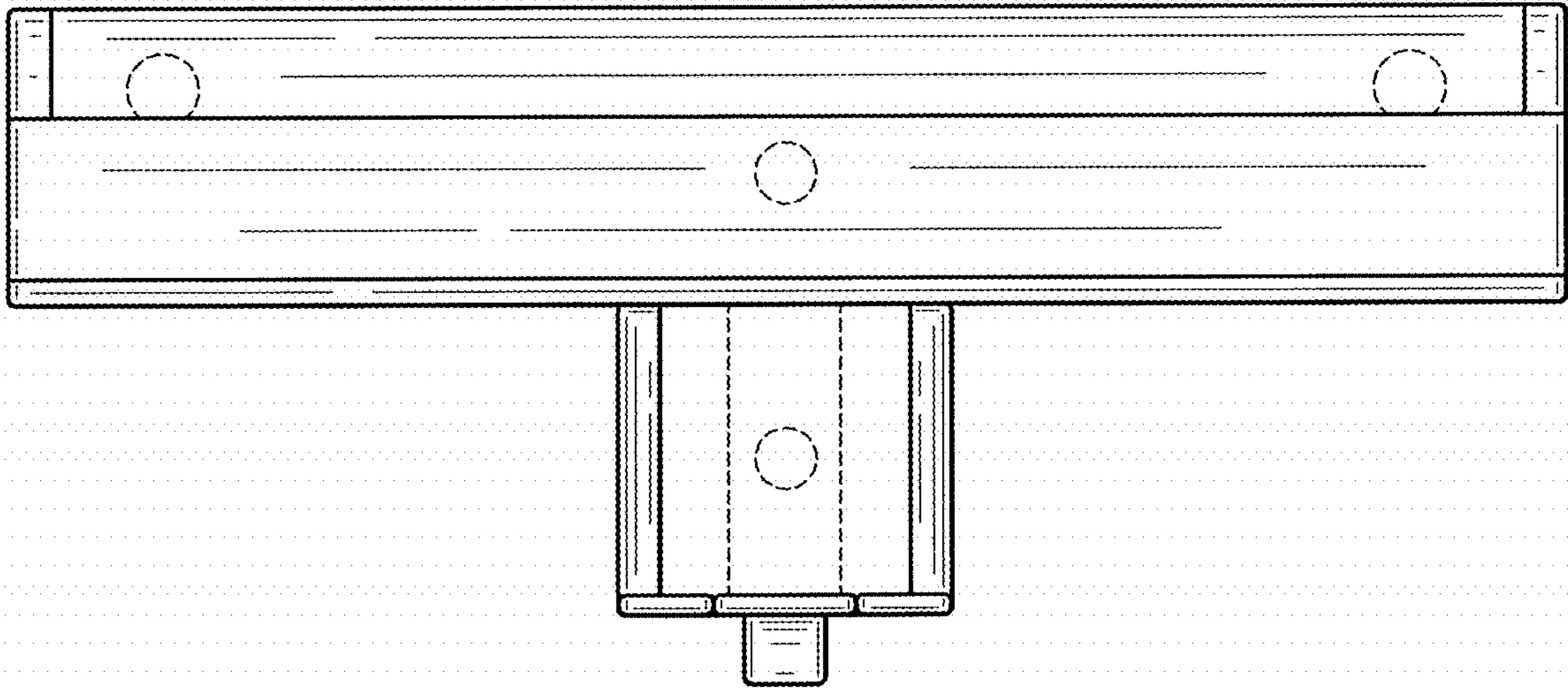


FIG. 7

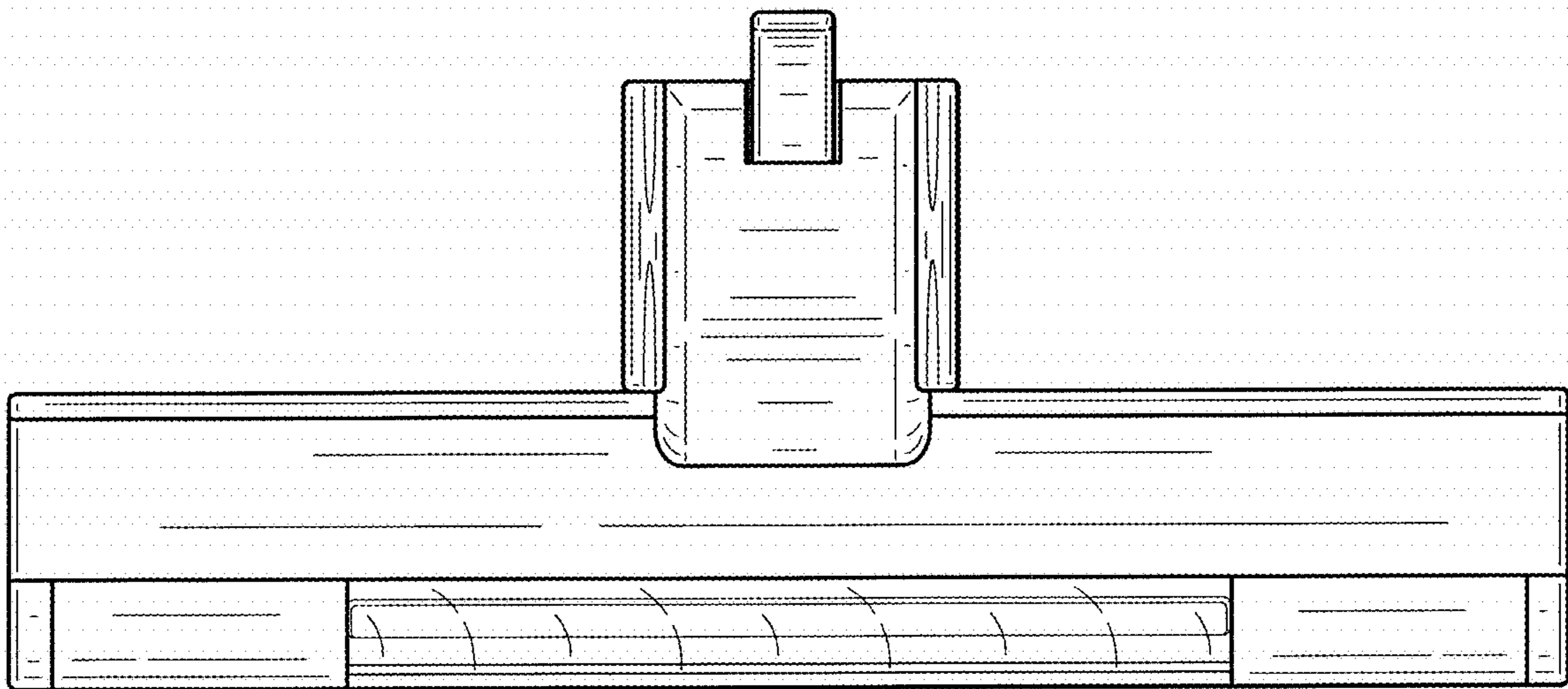


FIG. 8

