



US00D914258S

(12) **United States Design Patent**
Qiu

(10) **Patent No.:** **US D914,258 S**
(45) **Date of Patent:** **** Mar. 23, 2021**

- (54) **FLASHLIGHT**
- (71) Applicant: **NINGBO FUTAI ELECTRIC LIMITED**, Zhejiang (CN)
- (72) Inventor: **Fujun Qiu**, Ningbo (CN)
- (73) Assignee: **NINGBO FUTAI ELECTRIC LIMITED**, Zhejiang (CN)
- (**) Term: **15 Years**
- (21) Appl. No.: **29/685,005**
- (22) Filed: **Mar. 25, 2019**
- (51) **LOC (13) Cl.** **26-02**
- (52) **U.S. Cl.**
USPC **D26/49**
- (58) **Field of Classification Search**
USPC D26/37-38, 40-42, 46, 49-50
CPC F21L 2003/00; F21L 4/00; F21L 4/005;
F21L 4/02; F21L 4/022; F21L 4/025;
F21L 4/027; F21L 4/04; F21L 4/045;
F21L 4/08; F21L 4/085; F21L 14/02
See application file for complete search history.

- D583,973 S * 12/2008 Shiu D26/49
- D586,488 S * 2/2009 Kung D26/49
- D586,489 S * 2/2009 Shiu D26/49

(Continued)

OTHER PUBLICATIONS

grainger.com: LED Mini Flashlight, Plastic. Undated online product page. Retrieved on Oct. 21, 2020 from <https://www.grainger.com/product/19YL66?gclid=EAlalQobChMlp4ryrunF7AIVg47lCh194AiREAQYDCABEgJI_PD_BwE&cm_mmc=. . .> (Year: 2020).*

Primary Examiner — Sheryl Lane

Assistant Examiner — Stacey L Hopkins

(74) *Attorney, Agent, or Firm* — Raymond Y. Chan; David and Raymond Patent Firm

(57) **CLAIM**

The ornamental design for a flashlight, as shown and described.

DESCRIPTION

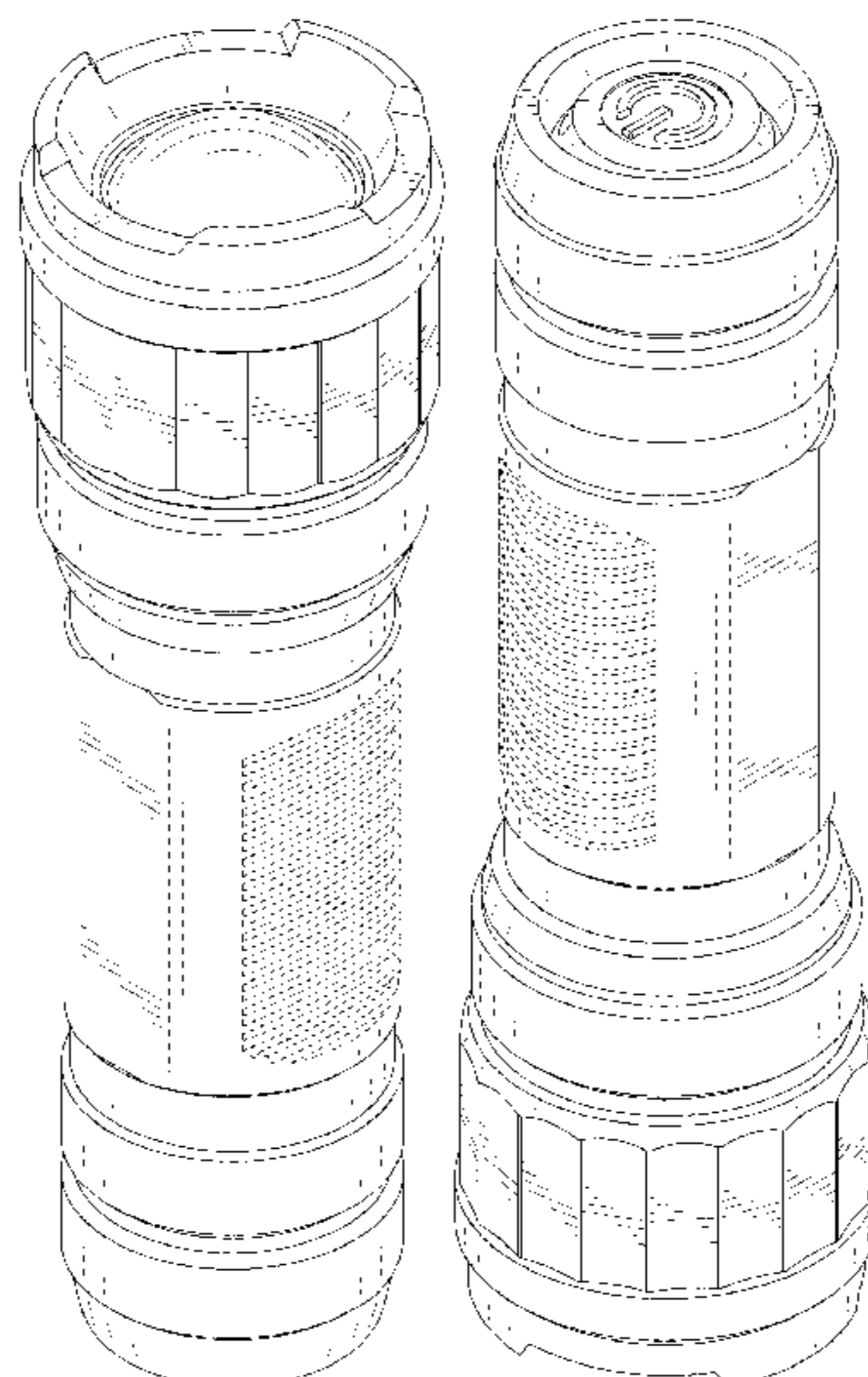
FIG. 1 is a front view of the flashlight showing my new design;
FIG. 2 is a rear view thereof;
FIG. 3 is a left view thereof;
FIG. 4 is a right view thereof;
FIG. 5 is a top view thereof;
FIG. 6 is a bottom view thereof;
FIG. 7 is a front perspective view thereof;
FIG. 8 is a rear perspective view thereof;
FIG. 9 is a front perspective view thereof, illustrating the flashlight at an operated condition when a handle is pulled to extend its length; and,
FIG. 10 is a front perspective view thereof, illustrating the flashlight at the operated condition.
The broken lines in the drawings are included for the purpose of illustrating environmental structure and forms no part of the claimed design.

(56) **References Cited**

U.S. PATENT DOCUMENTS

- D309,952 S * 8/1990 Lee D26/49
- 6,193,388 B1 * 2/2001 Halasz F21V 14/045
362/205
- D489,469 S * 5/2004 Liou D26/37
- D498,552 S * 11/2004 Chen D26/37
- 6,814,465 B2 * 11/2004 Forsythe F21L 4/005
362/109
- D510,450 S * 10/2005 Chen D26/37
- D512,168 S * 11/2005 Suzuki D26/37
- D529,643 S * 10/2006 Kung D26/37
- D546,988 S * 7/2007 Shiu D26/37
- D557,836 S * 12/2007 Shiu D26/37
- RE40,171 E * 3/2008 Halasz F21L 4/005
362/205
- D567,415 S * 4/2008 Shiu D26/37
- D583,972 S * 12/2008 Shiu D26/49

1 Claim, 10 Drawing Sheets



(56)

References Cited

U.S. PATENT DOCUMENTS

D596,772 S * 7/2009 Chang D26/49
 D597,235 S * 7/2009 Chang D26/49
 D600,382 S * 9/2009 Chen D26/49
 D600,383 S * 9/2009 Chen D26/49
 D600,384 S * 9/2009 Chen D26/49
 D601,285 S * 9/2009 Chen D26/49
 D601,287 S * 9/2009 Caniparoli D26/49
 7,581,848 B1 * 9/2009 Parsons F21L 4/027
 200/60
 D601,736 S * 10/2009 Swan D26/49
 D603,990 S * 11/2009 Brown D26/49
 7,670,023 B1 * 3/2010 Peterson F21L 4/08
 362/183
 7,784,963 B2 * 8/2010 Galli F21V 29/89
 362/184
 D624,677 S * 9/2010 Deguglimo D26/49
 D625,448 S * 10/2010 Brown D26/49
 D629,543 S * 12/2010 Deguglimo D26/49
 D629,544 S * 12/2010 Deguglimo D26/49
 D629,545 S * 12/2010 Deguglimo D26/49
 D629,546 S * 12/2010 Deguglimo D26/49
 D629,940 S * 12/2010 Osterhout D26/38
 D629,941 S * 12/2010 Robinson D26/49
 7,896,518 B2 * 3/2011 Holmes F21L 4/027
 362/184
 D639,476 S * 6/2011 Robinson D26/49
 D643,561 S * 8/2011 Maglica D26/49
 D645,181 S * 9/2011 Garcia D26/49
 D647,232 S * 10/2011 Liu D26/49
 8,104,915 B1 * 1/2012 Osterhout F21L 4/005
 362/200
 D659,870 S * 5/2012 Cooper D26/49
 D670,418 S * 11/2012 Lee D26/49
 D675,357 S * 1/2013 Shi D26/49
 D675,358 S * 1/2013 Brands D26/49
 D676,994 S * 2/2013 Lee D26/49
 D681,248 S * 4/2013 Opolka D26/49
 D685,939 S * 7/2013 Cooper D26/49
 D685,940 S * 7/2013 Lee D26/49
 D687,987 S * 8/2013 Ancona D26/46
 D701,339 S * 3/2014 Opolka D26/49
 D701,340 S * 3/2014 Opolka D26/49
 D703,358 S * 4/2014 Shiu D26/49
 8,702,267 B2 * 4/2014 Robinson F21V 21/0965
 362/157
 D706,475 S * 6/2014 Lee D26/49
 D706,476 S * 6/2014 Lee D26/49
 D706,969 S * 6/2014 Casciotti D26/49
 D719,286 S * 12/2014 Inskeep D26/49

8,919,988 B2 * 12/2014 Unger F21L 14/02
 362/157
 D725,303 S * 3/2015 Kunzendorf D26/49
 D726,945 S * 4/2015 Kunzendorf D26/49
 D732,721 S * 6/2015 Popper D26/49
 D732,722 S * 6/2015 Kunzendorf D26/49
 9,068,727 B2 * 6/2015 Lee F21V 14/065
 D736,975 S * 8/2015 Tang D22/117
 D743,076 S * 11/2015 Robinson D26/49
 D743,599 S * 11/2015 Robinson D26/49
 D745,987 S * 12/2015 Nawaz D22/117
 D746,499 S * 12/2015 Schleder D26/113
 D748,309 S * 1/2016 Cheng D22/117
 9,247,598 B2 * 1/2016 Maglica H05B 45/00
 D767,185 S * 9/2016 Schleder D26/113
 D772,455 S * 11/2016 Chen D26/38
 D775,753 S * 1/2017 Bo D26/49
 D782,603 S * 3/2017 Fan D22/117
 D783,193 S * 4/2017 Kao D26/49
 9,671,098 B2 * 6/2017 Maglica F21V 23/0414
 D792,625 S * 7/2017 Koshiba D26/49
 D799,088 S * 10/2017 Green D26/49
 D799,089 S * 10/2017 Green D26/49
 D799,090 S * 10/2017 Green D26/49
 D799,091 S * 10/2017 Green D26/49
 D802,192 S * 11/2017 Windom D26/49
 D804,696 S * 12/2017 Cheng D26/49
 D814,087 S * 3/2018 Cao D26/49
 D818,622 S * 5/2018 Kunzendorf D26/49
 D823,508 S * 7/2018 Windom D26/49
 D823,509 S * 7/2018 Kunzendorf D26/49
 D823,510 S * 7/2018 Kunzendorf D26/49
 D828,940 S * 9/2018 Qiu D26/49
 10,088,138 B2 * 10/2018 Shoulders F21V 23/0421
 D833,051 S * 11/2018 Qiu D26/49
 D842,515 S * 3/2019 Qiu D26/49
 D842,516 S * 3/2019 Qiu D26/49
 D865,250 S * 10/2019 Qiu D26/49
 D866,031 S * 11/2019 Muyschondt D26/49
 D866,830 S * 11/2019 Pan D26/49
 D870,941 S * 12/2019 Vasquez D26/37
 D874,043 S * 1/2020 Lee D26/37
 10,578,297 B1 * 3/2020 Zhu F21L 4/08
 D880,740 S * 4/2020 Galli D26/46
 D881,432 S * 4/2020 Windom D26/49
 D884,946 S * 5/2020 Muyschondt D26/49
 2011/0063823 A1 * 3/2011 Qiu F21V 19/02
 362/188
 2011/0063824 A1 * 3/2011 Qiu F21L 4/027
 362/188
 2017/0311402 A1 * 10/2017 Qiu H05B 47/19

* cited by examiner

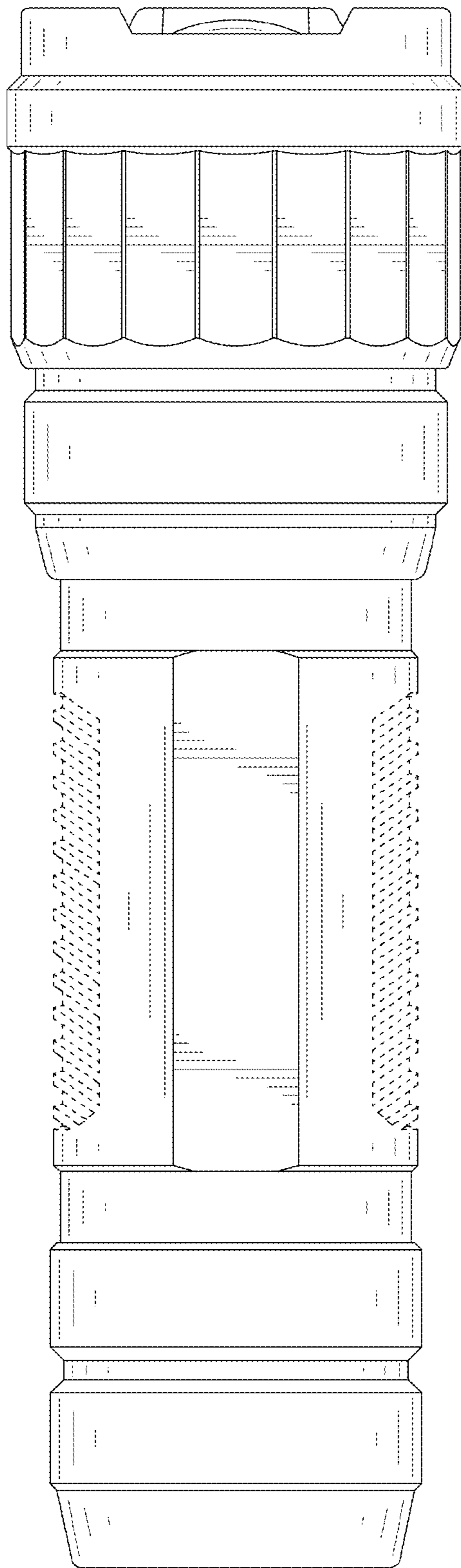


FIG.1

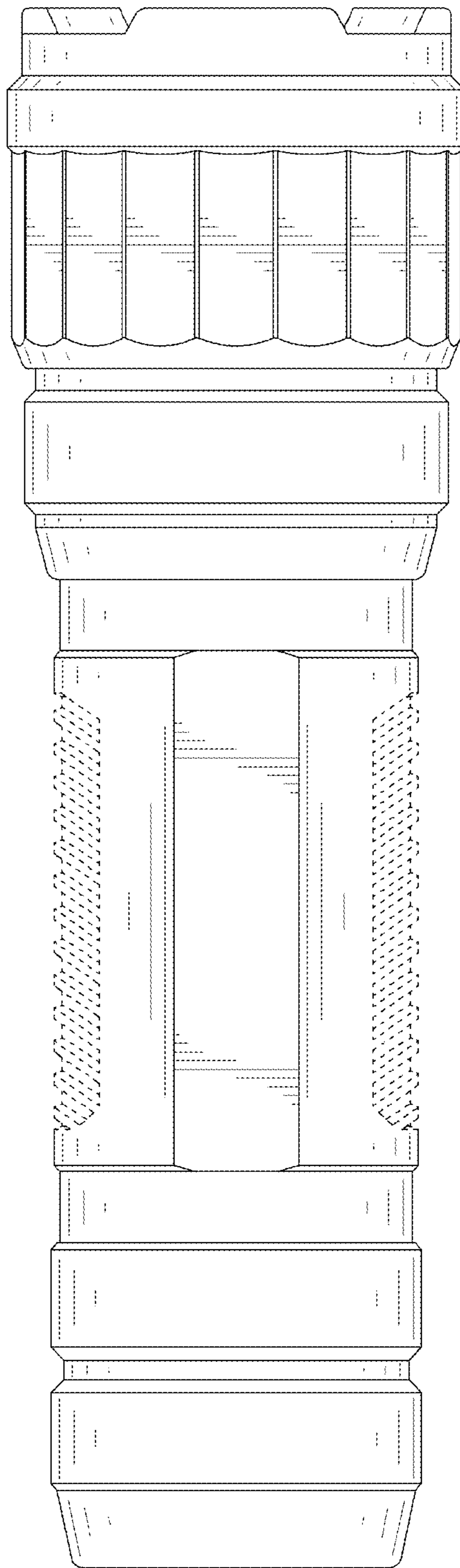


FIG.2

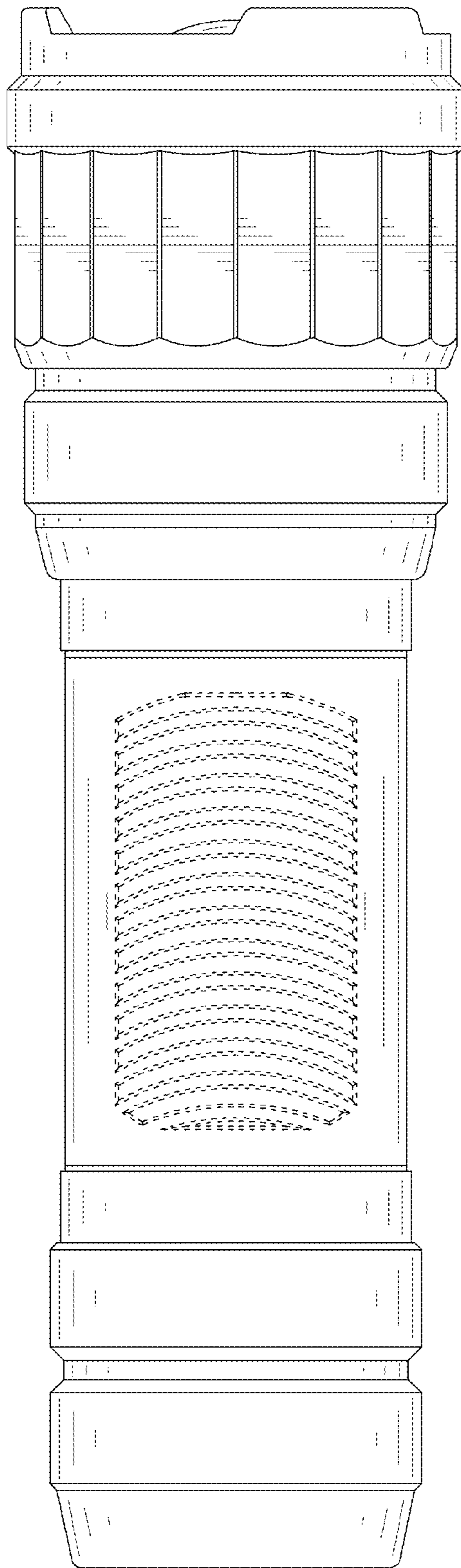


FIG.3

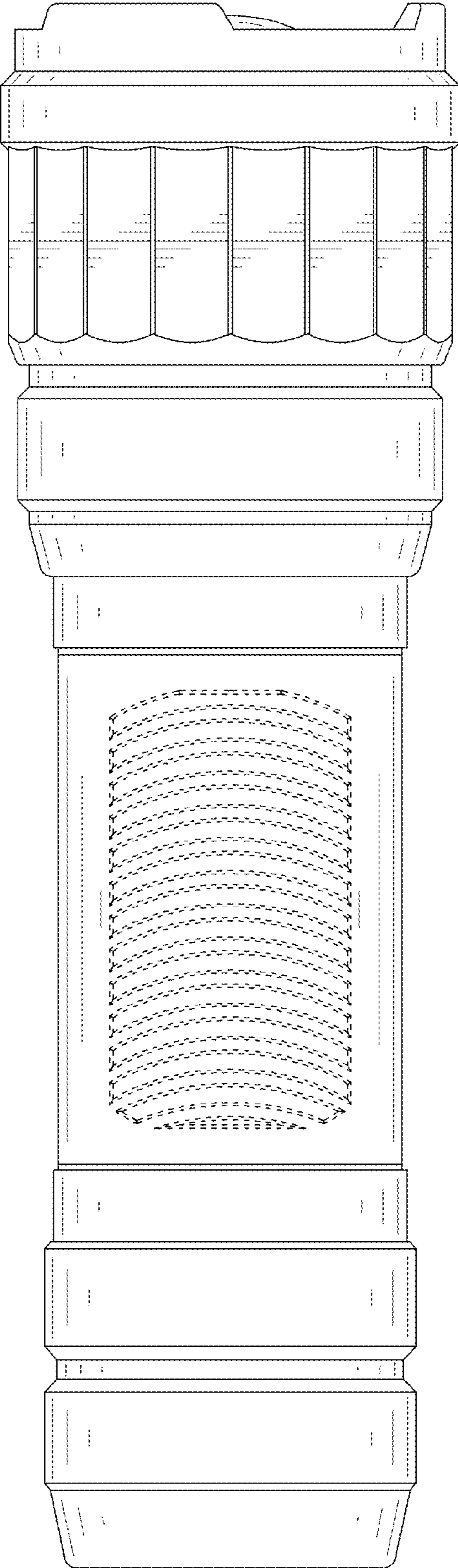


FIG.4

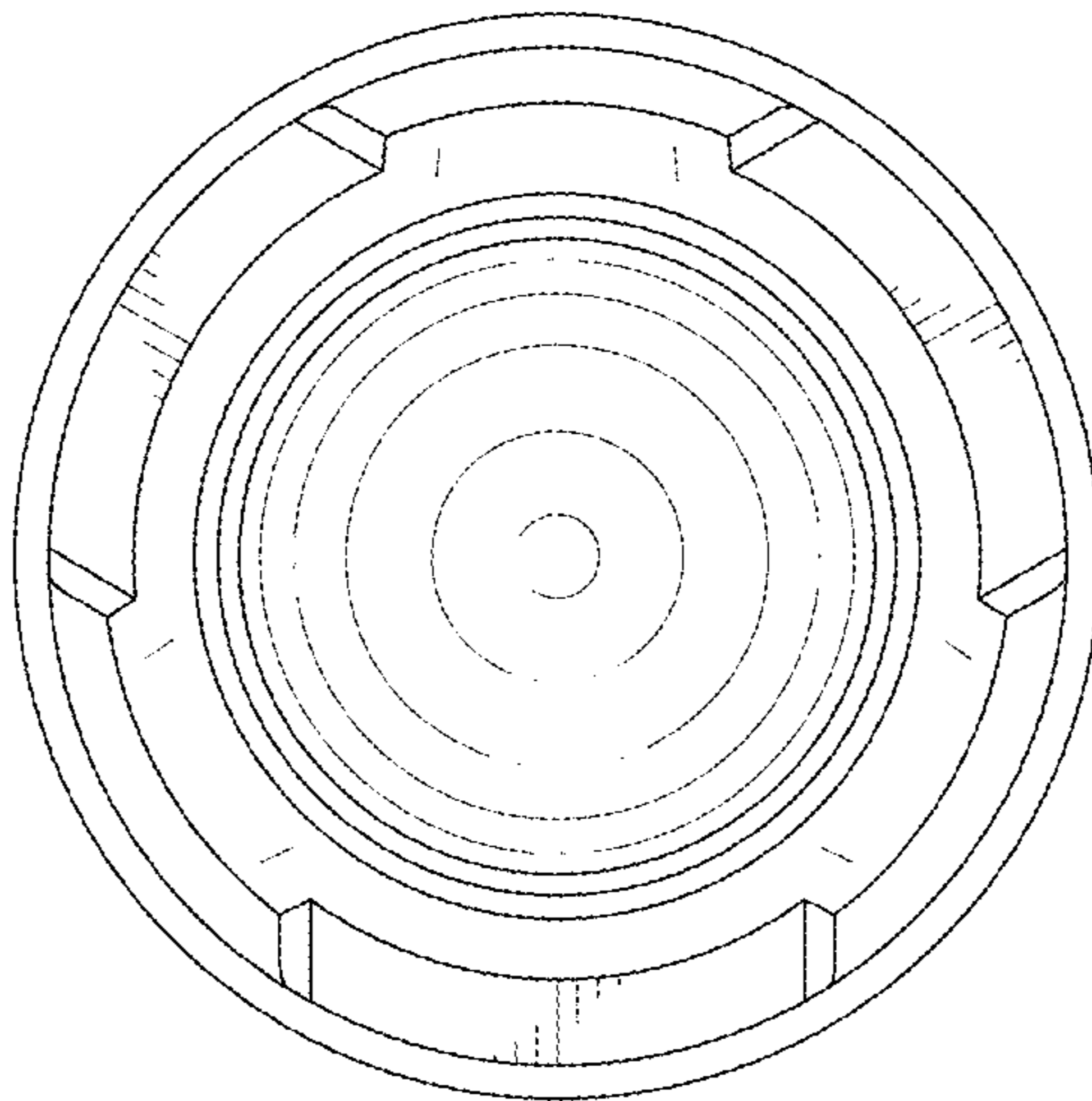


FIG.5

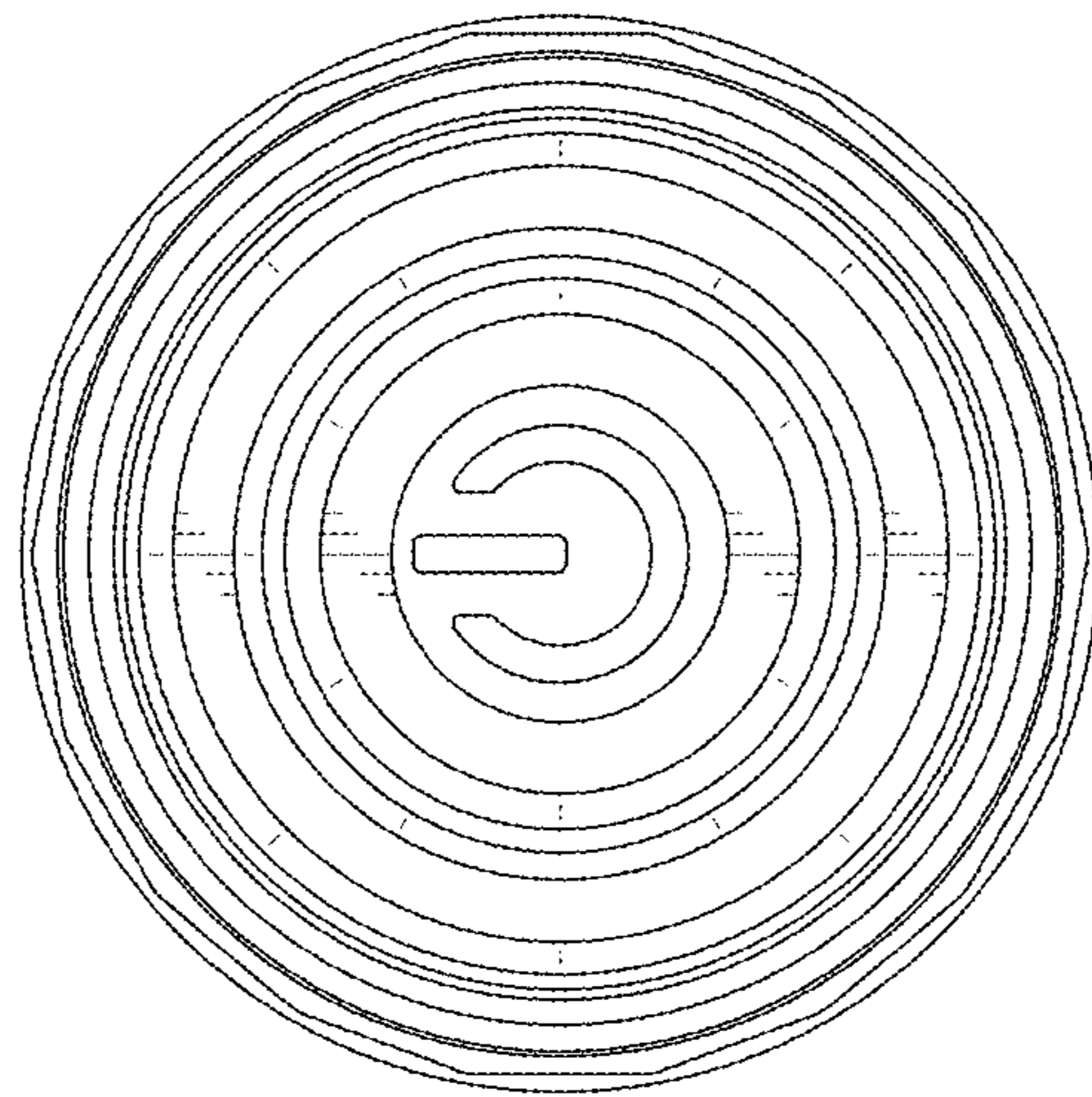


FIG.6

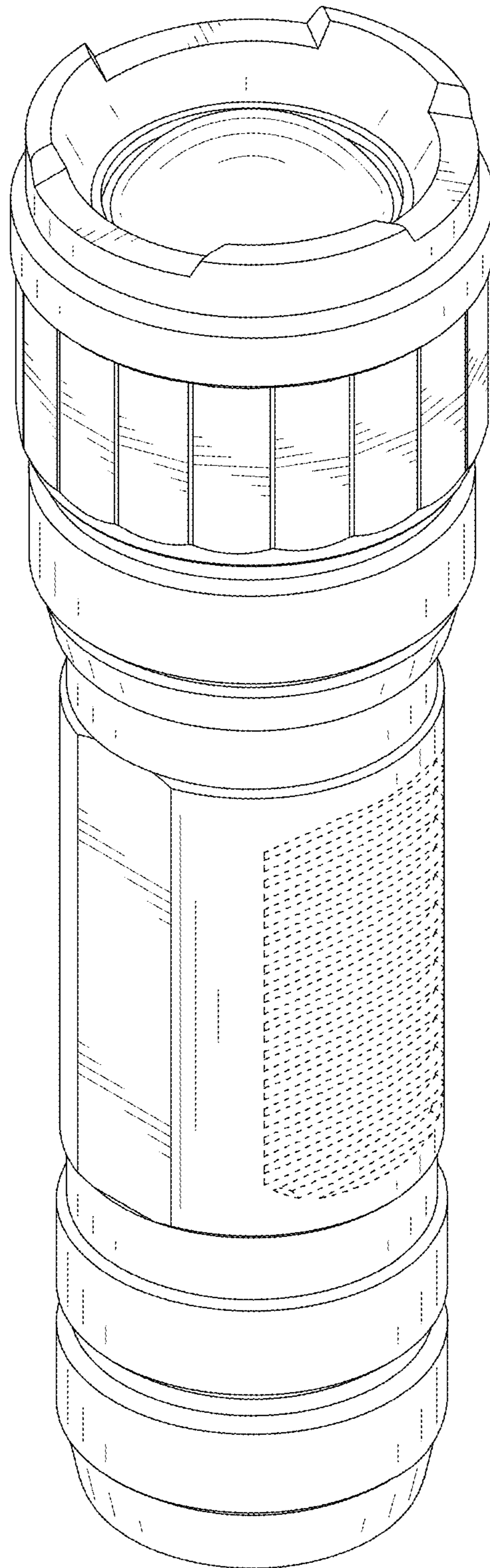


FIG.7

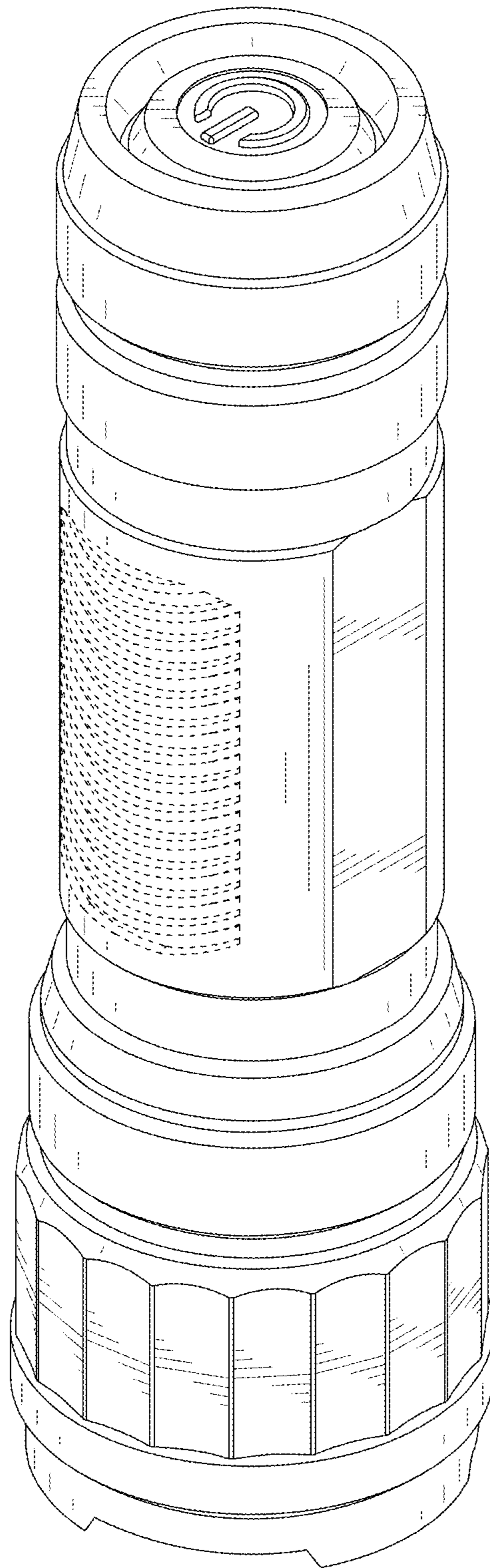


FIG.8

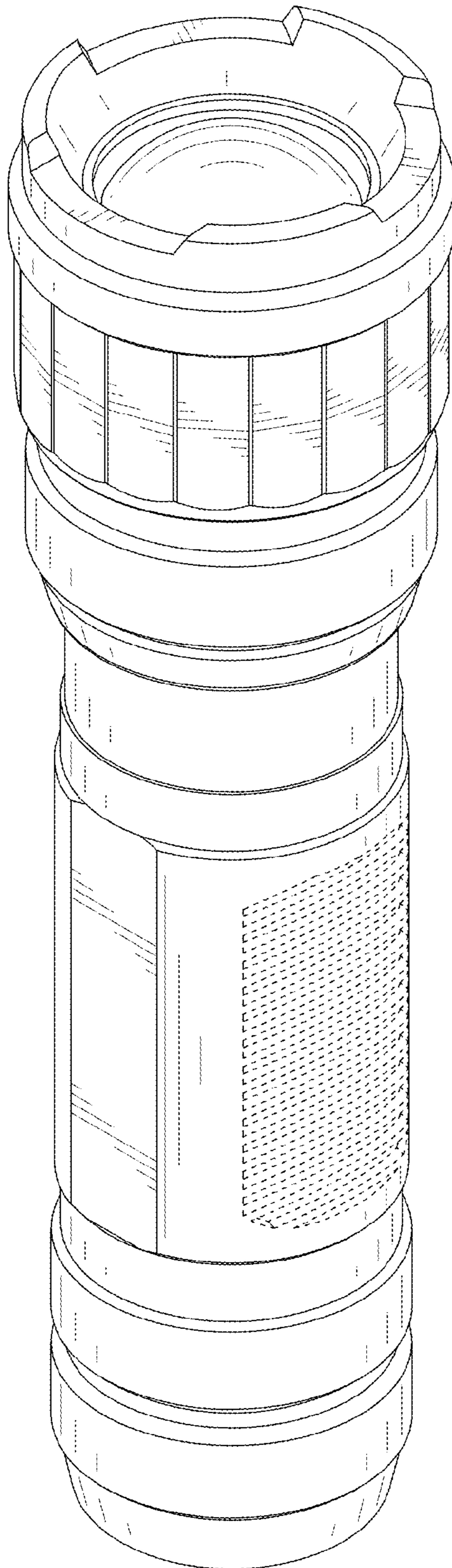


FIG.9

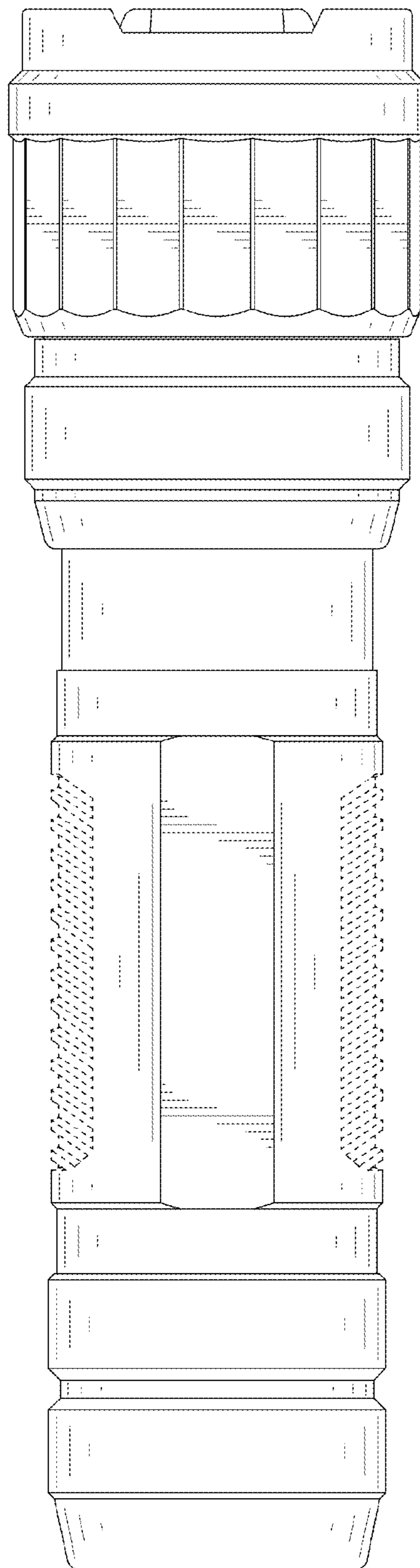


FIG.10