



US00D914257S

(12) **United States Design Patent**
Windom et al.

(10) **Patent No.:** **US D914,257 S**
(45) **Date of Patent:** **** Mar. 23, 2021**

(54) **FLASHLIGHT**

(71) Applicant: **Coast Cutlery Co.**, Portland, OR (US)

(72) Inventors: **Gregory David Windom**, Portland, OR (US); **Douglas R. Hutchens**, Portland, OR (US); **David D. Lewin**, Portland, OR (US)

(73) Assignee: **Coast Cutlery Co.**, Portland, OR (US)

(**) Term: **15 Years**

(21) Appl. No.: **29/673,447**

(22) Filed: **Dec. 14, 2018**

(51) **LOC (13) Cl.** **26-02**

(52) **U.S. Cl.**
USPC **D26/37**

(58) **Field of Classification Search**
USPC D26/37-38, 40-42, 46, 49-50
CPC F21L 2003/00; F21L 4/00; F21L 4/005;
F21L 4/02; F21L 4/022; F21L 4/025;
F21L 4/027; F21L 4/04; F21L 4/045;
F21L 4/08; F21L 4/085; F21L 14/02
See application file for complete search history.

(56) **References Cited**

U.S. PATENT DOCUMENTS

D509,008 S *	8/2005	Shiu	D26/37
D525,733 S *	7/2006	Shiao	D26/37
7,073,921 B2 *	7/2006	Chen	F21L 4/022
				362/202
D529,643 S *	10/2006	Kung	D26/37
D532,914 S *	11/2006	Yen	D26/37
D553,282 S *	10/2007	Zhu	D26/49
D554,281 S *	10/2007	Bushee	D26/37
D557,836 S *	12/2007	Shiu	D26/37
D564,116 S *	3/2008	Linardos	D26/49
D565,220 S *	3/2008	Galli	D26/49
D566,309 S *	4/2008	Kornfeld	D26/37
D577,843 S *	9/2008	Couture	D26/49

D578,688 S *	10/2008	Kim	D26/37
D578,689 S *	10/2008	Kim	D26/37
D599,928 S *	9/2009	Shiu	D26/49
D600,382 S *	9/2009	Chen	D26/49
7,784,963 B2 *	8/2010	Galli	F21V 29/89
				362/184
D641,093 S *	7/2011	Kidman	D26/42
D641,509 S *	7/2011	Wang	D26/46
D645,592 S *	9/2011	Brands	D26/49
8,104,915 B1 *	1/2012	Osterhout	F21L 4/005
				362/200
D664,693 S *	7/2012	Yeh	D26/46

(Continued)

OTHER PUBLICATIONS

Coast Cutlery Co.; Polysteel 200, Pure Beam Focusing; <https://coastportland.com/products/polysteel-200>; (uploaded prior to Dec. 14, 2017).

(Continued)

Primary Examiner — Marcus A Jackson
(74) *Attorney, Agent, or Firm* — Schwabe Williamson & Wyatt, P.C.

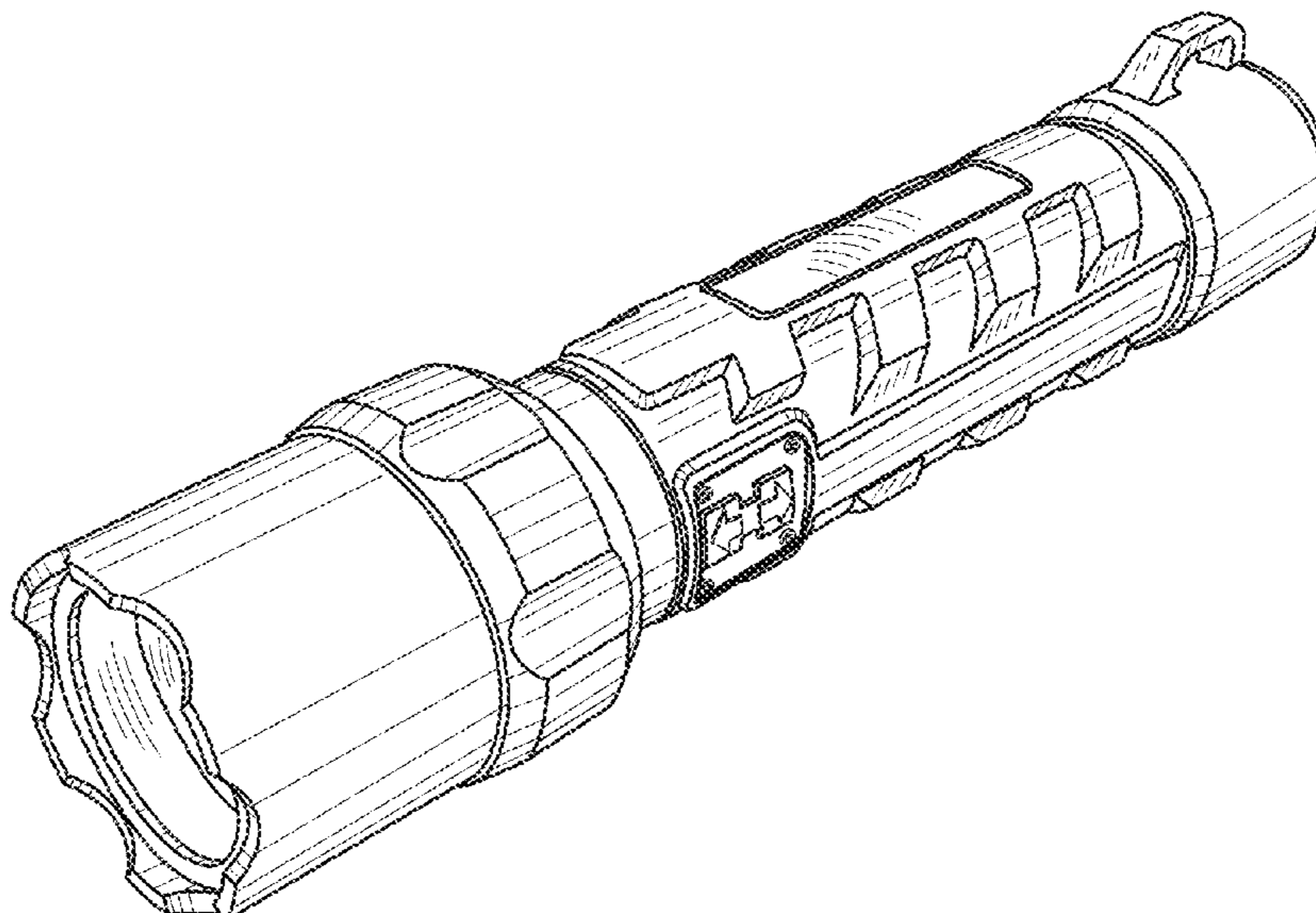
(57) **CLAIM**

We claim the ornamental design for a flashlight, as shown and described.

DESCRIPTION

FIG. 1 is a right-side perspective view of a flashlight showing our new design;
FIG. 2 is a right-side elevational view thereof;
FIG. 3 is a front elevational view thereof;
FIG. 4 is a rear elevational view thereof;
FIG. 5 is a top plan view thereof;
FIG. 6 is a left-side elevational view thereof; and,
FIG. 7 is a bottom plan view thereof.
Throughout the drawings the broken lines depict portions of the flashlight that form no part of the claimed design.

1 Claim, 2 Drawing Sheets



(56)

References Cited

U.S. PATENT DOCUMENTS

D671,249 S * 11/2012 Sheikh D26/38
 D674,943 S * 1/2013 Sheikh D22/117
 D683,877 S * 6/2013 Brands D26/49
 D687,995 S * 8/2013 Yeh D26/49
 8,702,267 B2 * 4/2014 Robinson F21V 21/0965
 362/157
 8,783,908 B2 * 7/2014 Gross F21L 4/027
 362/184
 8,919,988 B2 * 12/2014 Unger F21L 14/02
 362/157
 D732,722 S * 6/2015 Kunzendorf D26/49
 D736,981 S * 8/2015 Windom D26/49
 D747,024 S * 1/2016 Windom D26/49
 D750,306 S * 2/2016 Windom D26/49
 D751,742 S * 3/2016 Windom D26/49
 D770,071 S * 10/2016 Windom D26/49
 D802,192 S * 11/2017 Windom D26/49
 D811,637 S * 2/2018 Feustel D26/49
 D823,508 S * 7/2018 Windom D26/49
 10,060,582 B2 * 8/2018 O'Brien F21L 4/085
 10,088,138 B2 * 10/2018 Shoulders F21V 23/0421
 10,184,621 B2 * 1/2019 Kuo F21L 4/027

10,234,082 B1 * 3/2019 Diederich F21L 4/027
 10,302,291 B2 * 5/2019 Parsons F21V 23/0421
 D851,310 S * 6/2019 Windom D26/49
 10,337,703 B1 * 7/2019 Windom F21V 17/002
 D881,432 S * 4/2020 Windom D26/49
 2013/0329411 A1 * 12/2013 Windom F21V 13/04
 362/188
 2013/0343042 A1 * 12/2013 Windom H01M 2/1022
 362/183
 2016/0033107 A1 * 2/2016 Windom F21L 4/027
 362/184
 2018/0259136 A1 * 9/2018 Horne F21L 4/027
 2019/0145588 A1 * 5/2019 Windom F21L 4/025
 250/504 H

OTHER PUBLICATIONS

Coast Cutlery Co.; Polysteel 400, Pure Beam Focusing; <https://coastportland.com/products/polystee1-400>; (uploaded prior to Dec. 14, 2017).
 Coast Cutlery Co.; Polysteel 600, Pure Beam Focusing; <https://coastportland.com/products/polystee1-600>; (uploaded prior to Dec. 14, 2017).

* cited by examiner

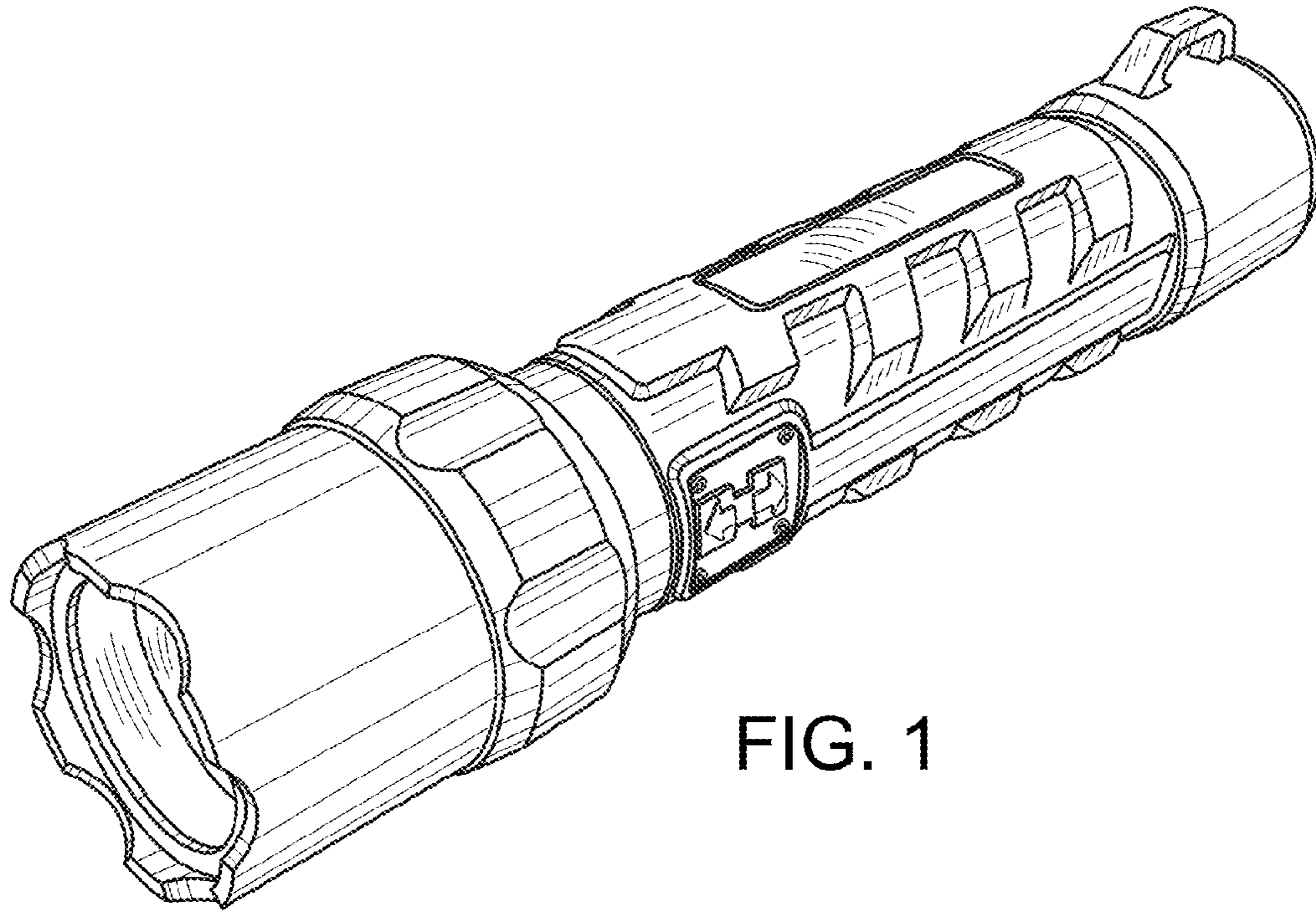


FIG. 1

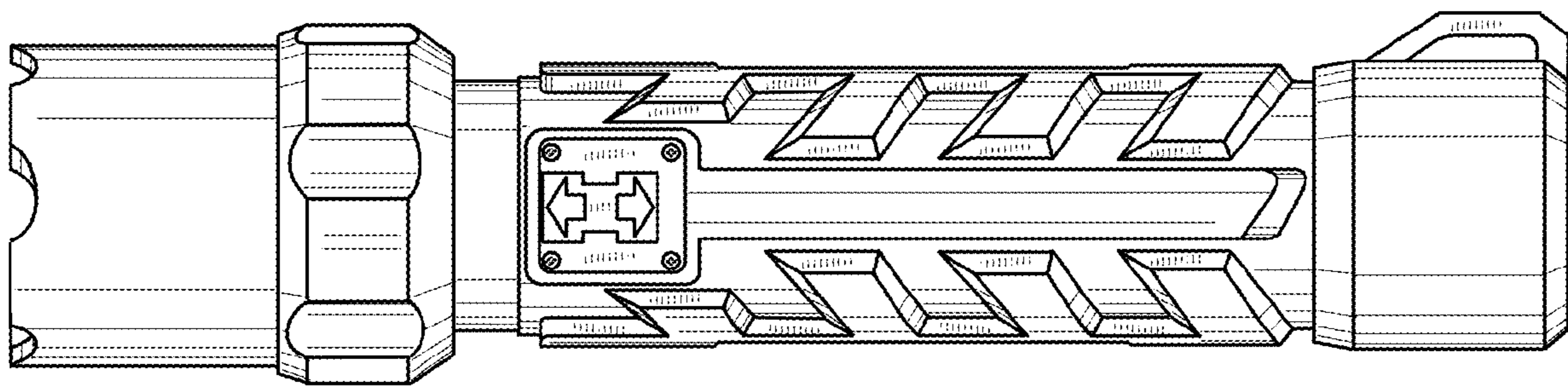


FIG. 2

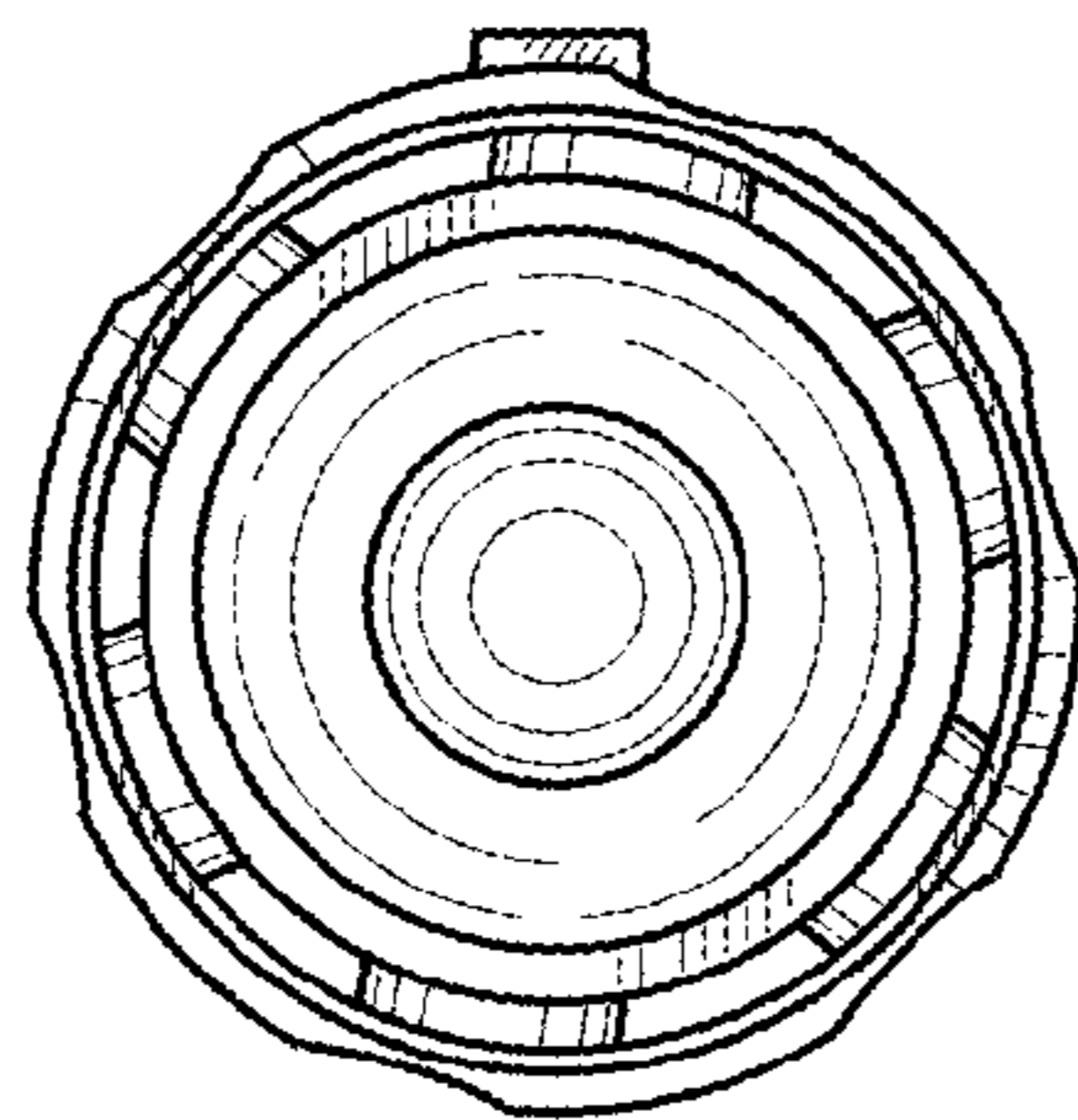


FIG. 3

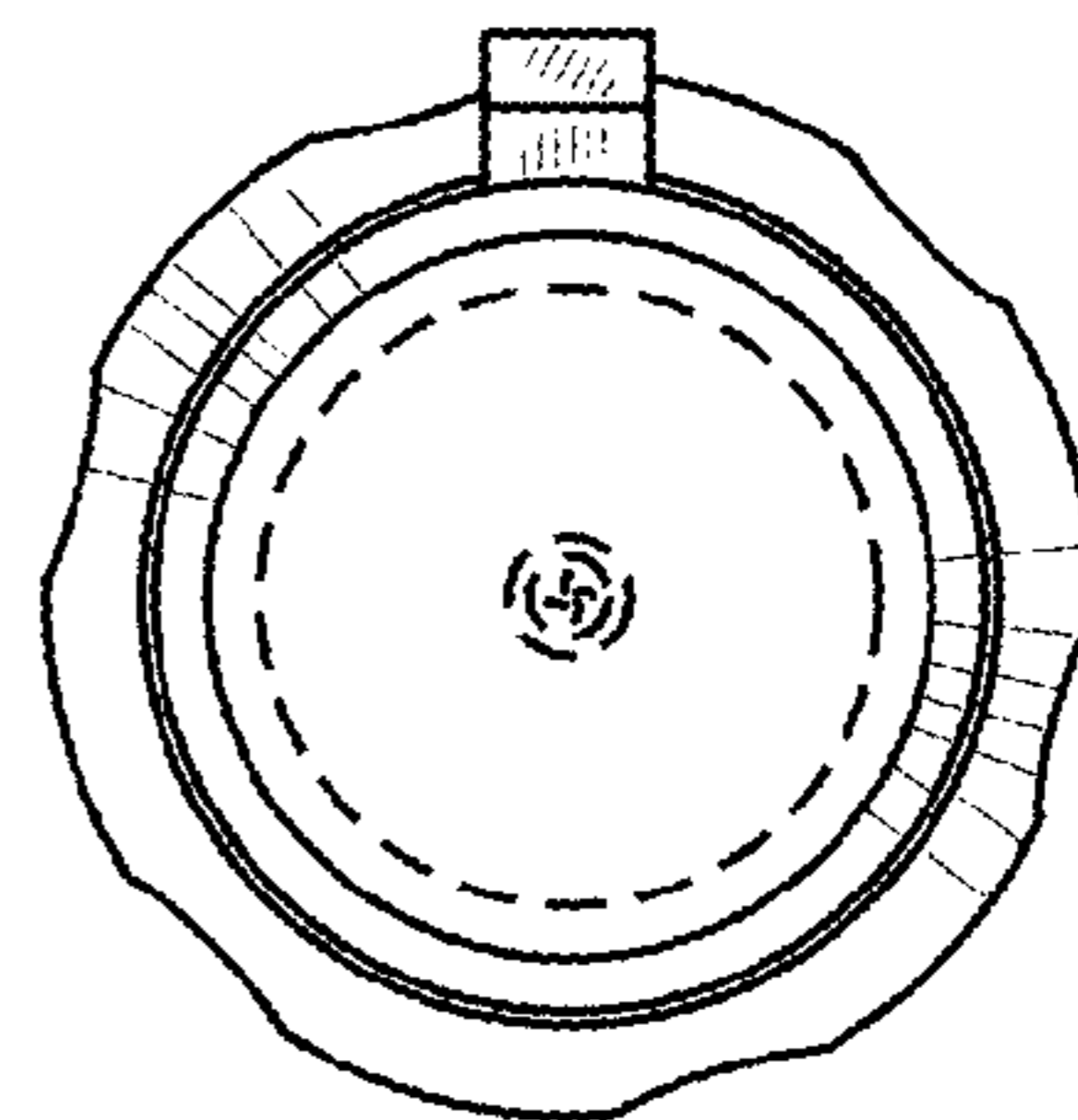


FIG. 4

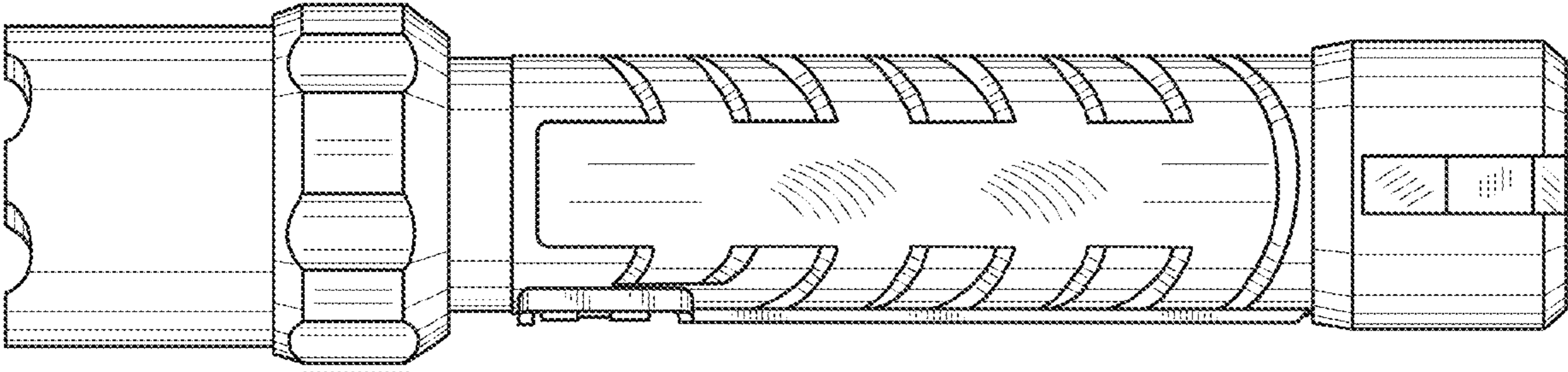


FIG. 5

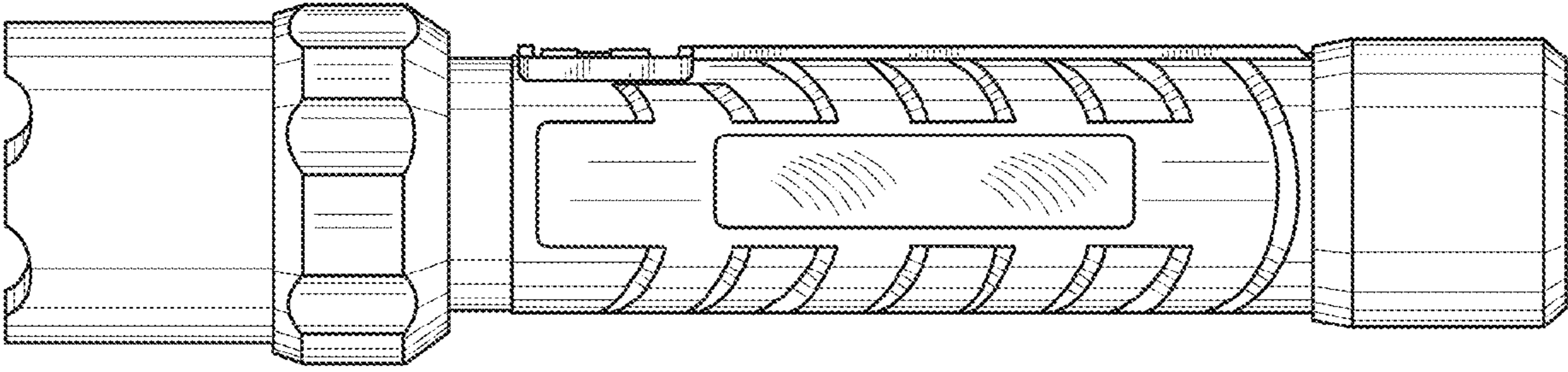


FIG. 6

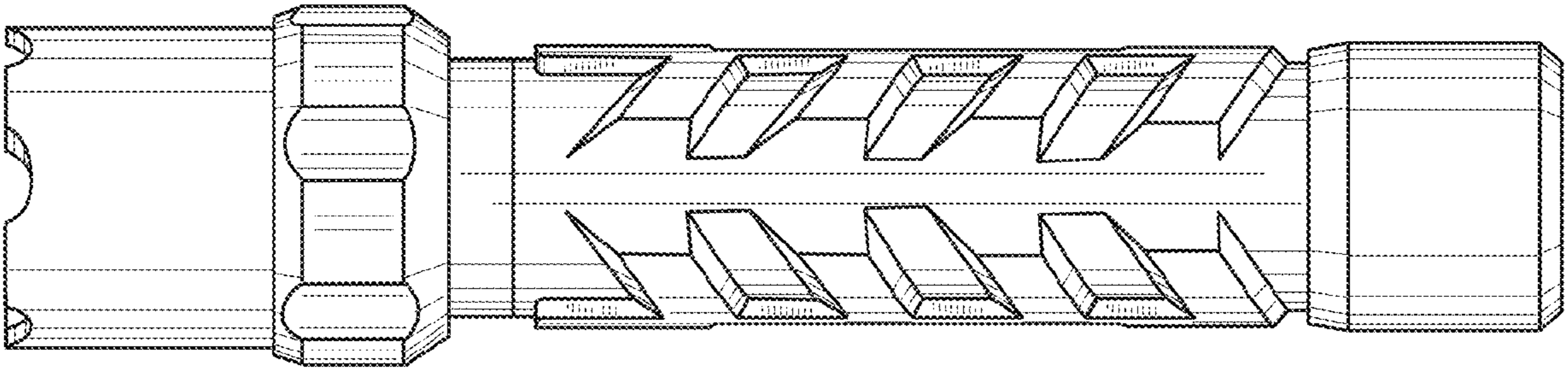


FIG. 7