



US00D914252S

(12) **United States Design Patent**  
**Maxey et al.**

(10) **Patent No.:** **US D914,252 S**

(45) **Date of Patent:** **\*\* Mar. 23, 2021**

(54) **LIGHT FIXTURE**

(71) Applicant: **JST Performance, LLC**, Gilbert, AZ  
(US)

(72) Inventors: **Steven S. Maxey**, Queen Creek, AZ  
(US); **Pete D. Sibitzky**, Lakeside, CA  
(US)

(\*\*) Term: **15 Years**

(21) Appl. No.: **29/684,466**

(22) Filed: **Mar. 21, 2019**

(51) **LOC (13) Cl.** ..... **26-03**

(52) **U.S. Cl.**  
USPC ..... **D26/24**

(58) **Field of Classification Search**

USPC ... D26/1, 24, 28, 36, 61, 63, 65, 73, 74, 83,  
D26/92, 113, 118, 120, 139; D10/104.1,  
D10/114.2, 114.3; D12/192, 400  
CPC ..... F21V 21/10; F21V 21/14; F21V 21/28;  
F21V 21/30; F21V 21/116; F21V 15/00;  
F21V 15/01; F21V 29/70; F21V 29/503;  
F21S 8/02; F21S 8/043; F21S 8/036;  
F21S 8/088; F21S 41/19; F21S 41/141;  
F21S 41/192; F21S 41/194; F21S 48/10;  
F21S 48/225; F21S 48/1233; F21S  
48/1266; F21S 48/2268; F21W 2131/10;  
F21W 2131/20; F21W 2131/107

See application file for complete search history.

(56) **References Cited**

**U.S. PATENT DOCUMENTS**

D592,330 S \* 5/2009 Huang ..... D26/28  
D633,248 S \* 2/2011 Alexander ..... D26/118  
D688,399 S \* 8/2013 Adams ..... D26/28

D694,928 S \* 12/2013 Chen ..... D26/63  
D696,452 S \* 12/2013 Gordin ..... D26/118  
D714,991 S \* 10/2014 Norris ..... D26/118  
D715,480 S \* 10/2014 Christ ..... D26/118  
D736,430 S \* 8/2015 Ko ..... D26/28  
D739,064 S \* 9/2015 Heiner ..... D26/63  
D747,516 S \* 1/2016 Yang ..... D26/28  
D747,525 S \* 1/2016 Guercio ..... D26/63  
D789,571 S \* 6/2017 Sauzay ..... D26/28  
D810,331 S \* 2/2018 Jacq ..... D26/28  
D810,332 S \* 2/2018 Jacq ..... D26/28  
D848,651 S \* 5/2019 Ko ..... D26/36  
D849,292 S \* 5/2019 Ko ..... D26/36  
D849,293 S \* 5/2019 Ko ..... D26/36  
2010/0148672 A1 \* 6/2010 Hopper ..... H05B 45/00  
315/113  
2019/0271454 A1 \* 9/2019 Chavan ..... F21V 17/10  
2020/0158298 A1 \* 5/2020 Romano ..... F21V 17/002

\* cited by examiner

*Primary Examiner* — Wan Laymon

*Assistant Examiner* — Clint A Samuel

(74) *Attorney, Agent, or Firm* — Calfee, Halter &  
Griswold LLP

(57) **CLAIM**

The ornamental design for a light fixture, as shown and described.

**DESCRIPTION**

FIG. 1 is a front, top, right, perspective view of a light fixture;

FIG. 2 is a front, top, left, perspective view thereof;

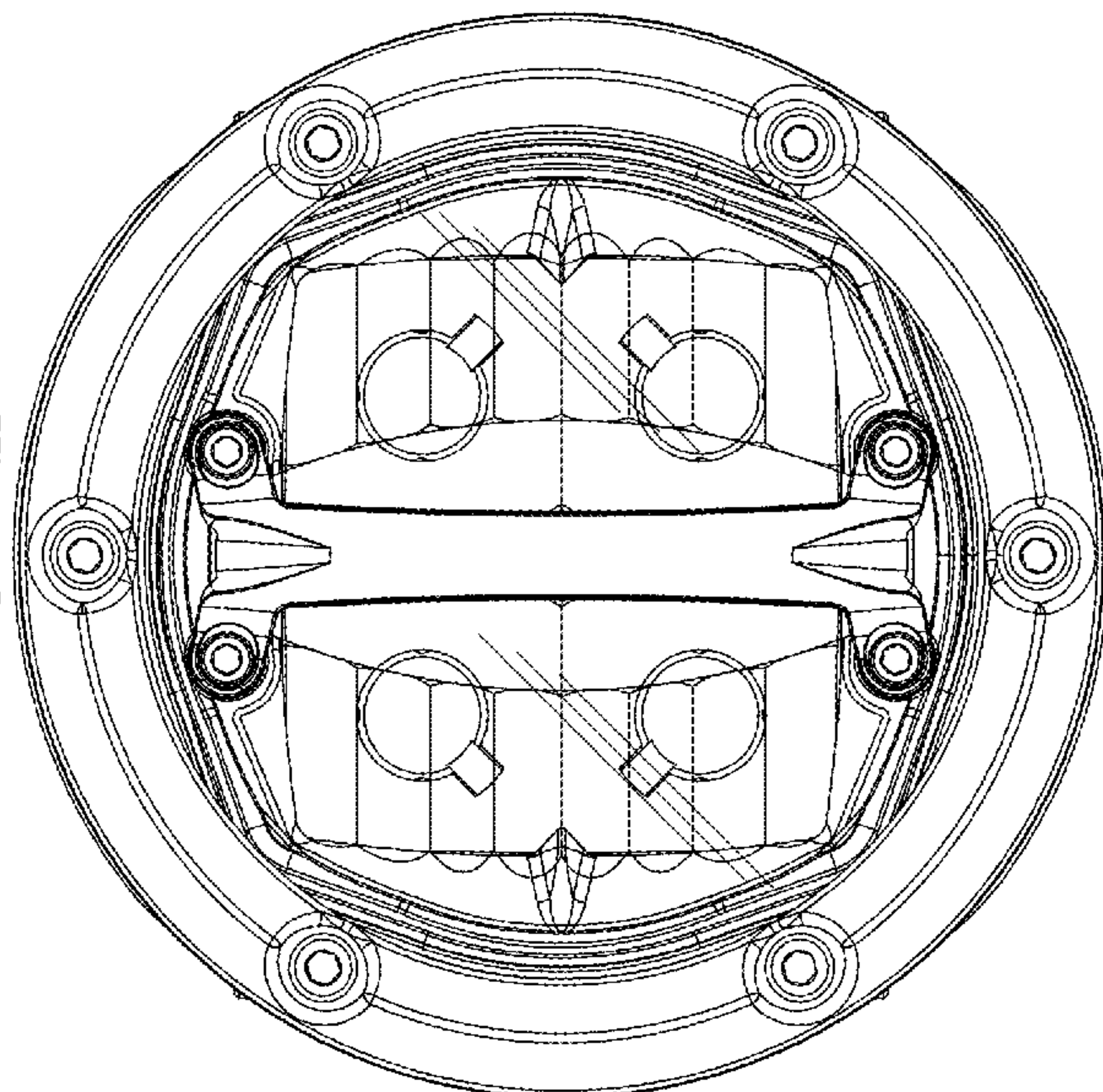
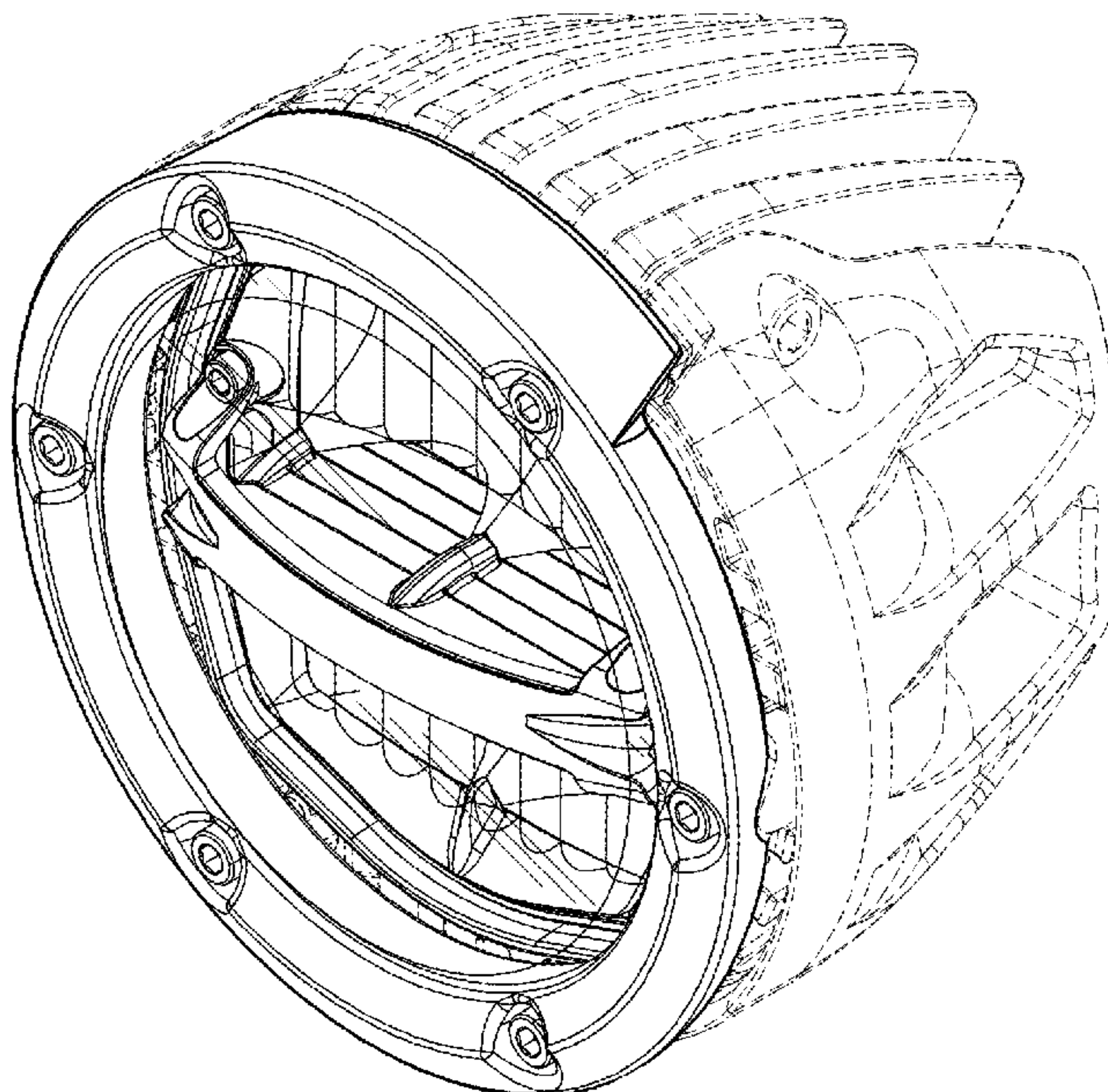
FIG. 3 is a front, bottom, right, perspective view thereof;

FIG. 4 is a front, bottom, left, perspective view thereof; and,

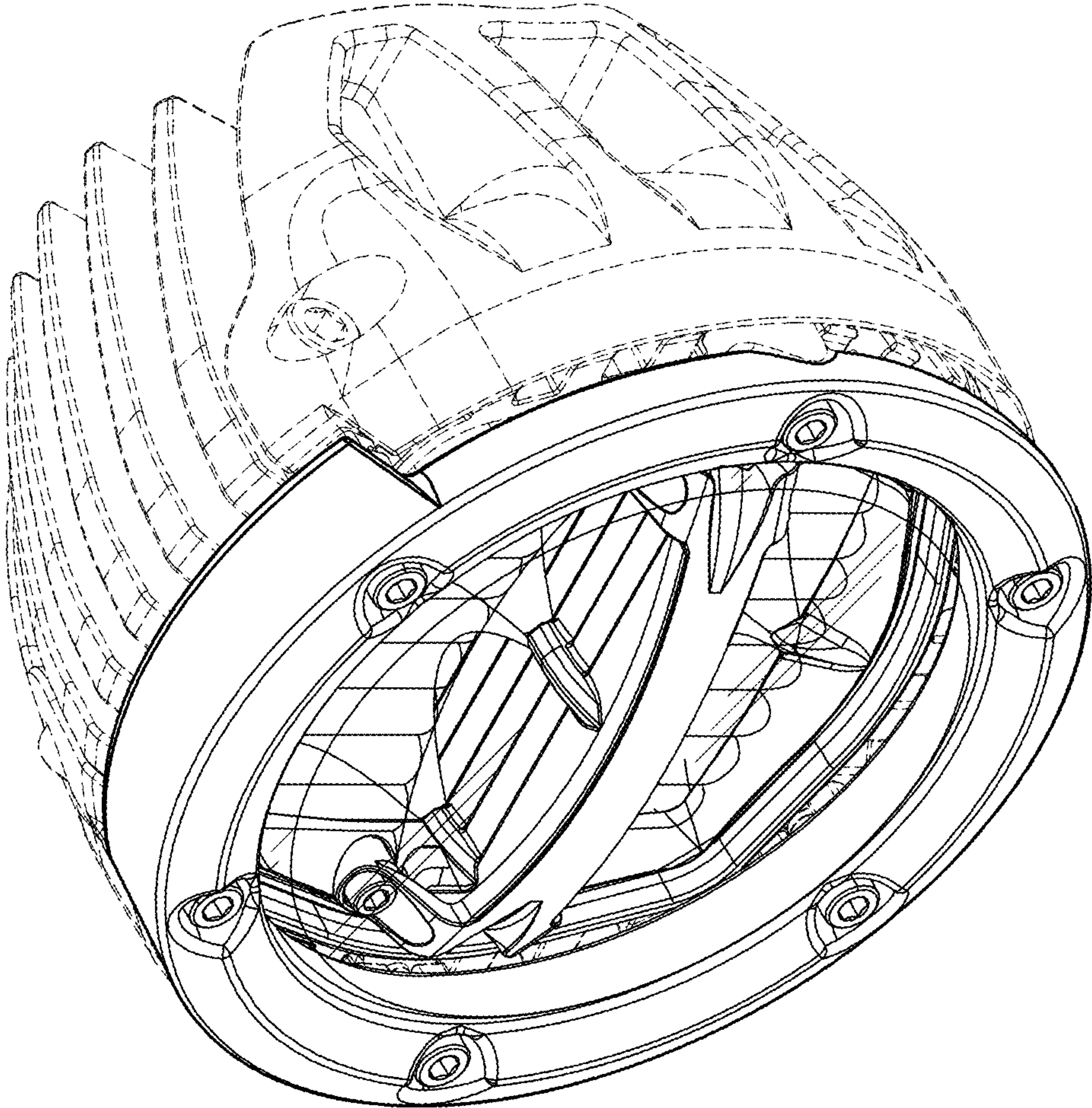
FIG. 5 is a front side view thereof.

The broken lines in the drawings illustrate portions of the light fixture which form no part of the claimed design.

**1 Claim, 5 Drawing Sheets**







**FIG. 1**

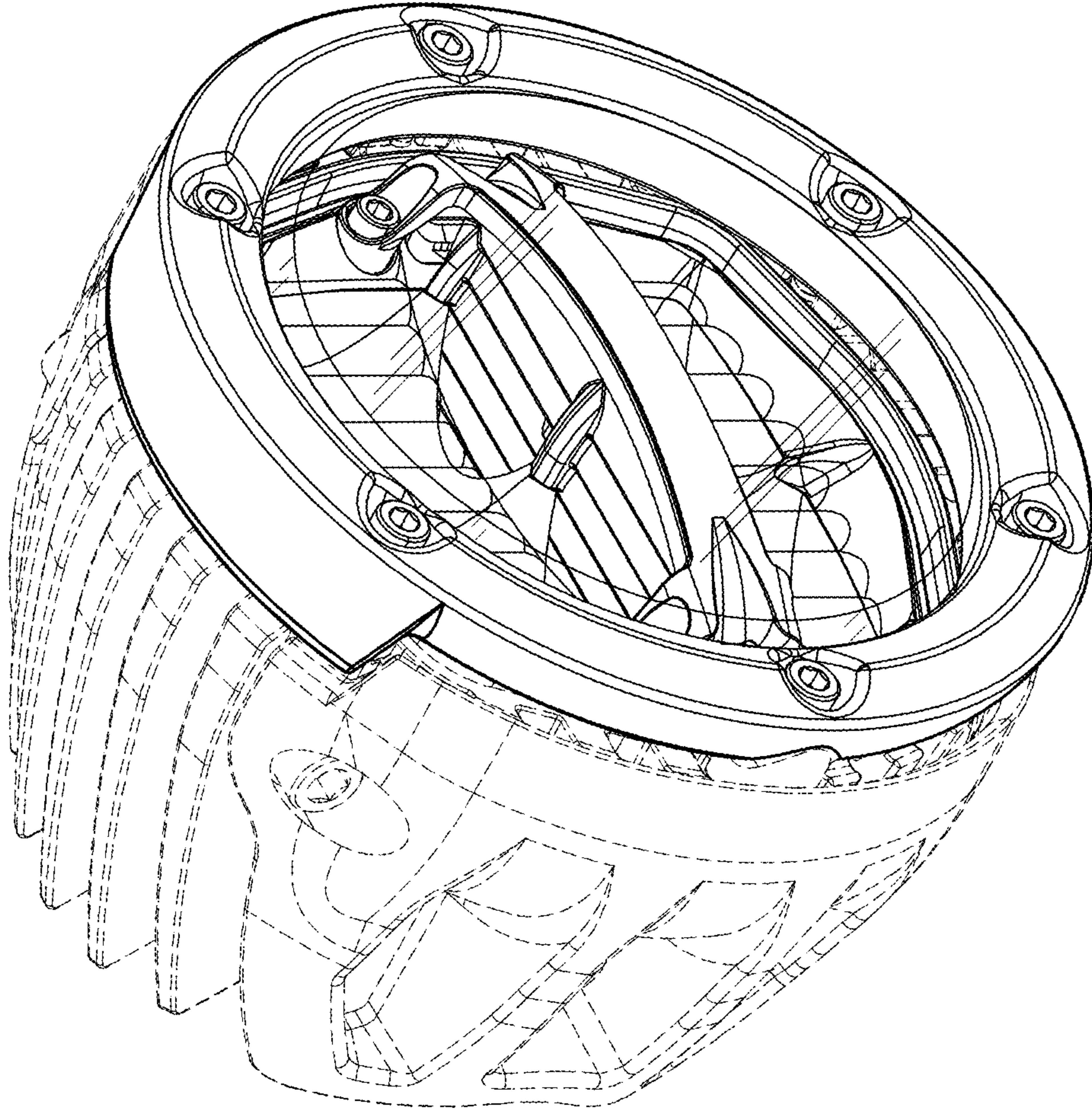
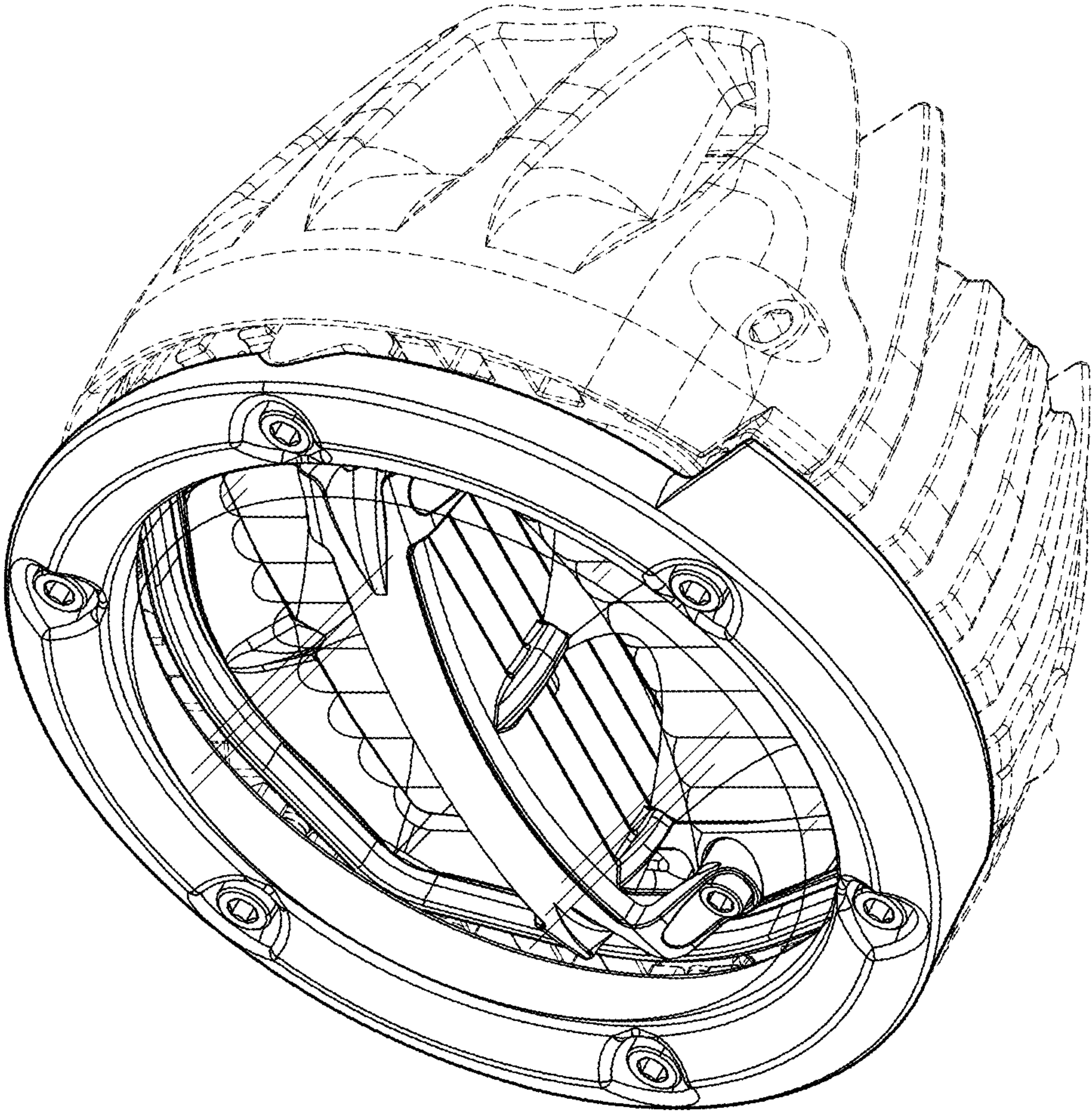
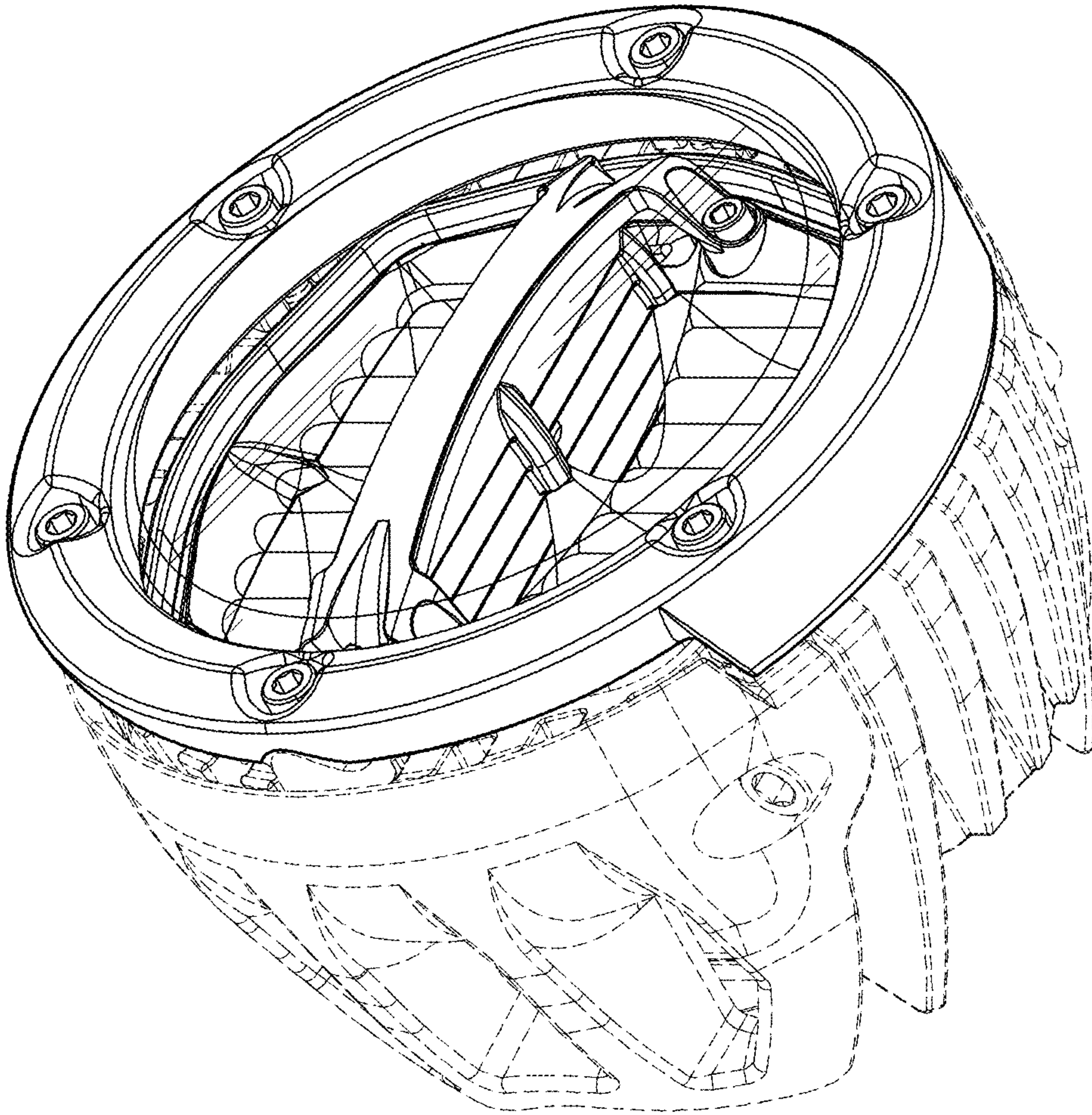


FIG. 2



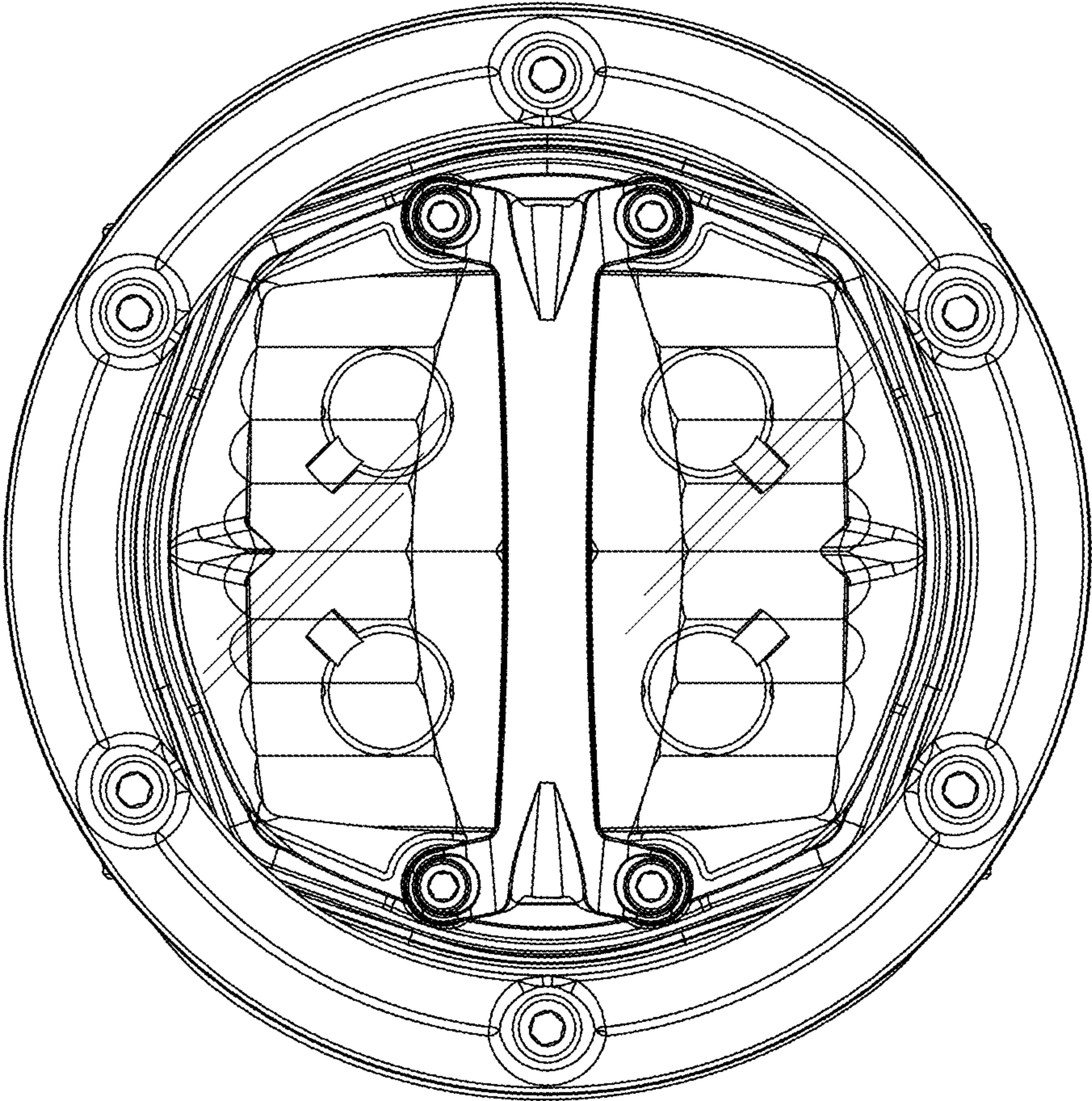


**FIG. 3**



**FIG. 4**





*FIG. 5*