



US00D914246S

(12) **United States Design Patent**
Helms et al.

(10) **Patent No.:** **US D914,246 S**

(45) **Date of Patent:** **** Mar. 23, 2021**

- (54) **BUILDING EXTRUSION**
- (71) Applicant: **Golden Homes Holdings Limited**,
Tauranga (NZ)
- (72) Inventors: **Lennard Trevor Helms**, Tauranga
(NZ); **Michael Petersen**, Auckland
(NZ)
- (73) Assignee: **GOLDEN HOMES HOLDINGS
LIMITED**, Tauranga (NZ)
- (**) Term: **15 Years**
- (21) Appl. No.: **29/661,526**
- (22) Filed: **Aug. 28, 2018**
- (30) **Foreign Application Priority Data**
Feb. 28, 2018 (NZ) 424131
- (51) **LOC (13) Cl.** **25-01**
- (52) **U.S. Cl.**
USPC **D25/119**
- (58) **Field of Classification Search**
USPC D25/61, 119-125, 164, 199; D8/349,
D8/354
CPC E04C 2/46; E04F 19/062; E04F 19/063;
E04F 13/0803; E04F 13/0862; E04F
13/0866; E04F 13/0894; E04F 13/12;
E04F 13/21; E04F 13/26; E04B 2/00;
E04B 2/02; E04B 2002/0204; E04B
2002/0215
See application file for complete search history.

- (56) **References Cited**
U.S. PATENT DOCUMENTS
D331,469 S * 12/1992 McMarlin D25/119
D462,601 S * 9/2002 Chaney D25/119
D623,768 S * 9/2010 Antonic D25/121
D689,200 S * 9/2013 Elizarraras D25/55

- D734,498 S * 7/2015 Batres D25/55
- D800,924 S * 10/2017 Preston E04F 13/0803
D25/121
- D814,061 S * 3/2018 Singh D25/119
- D814,062 S * 3/2018 Singh D25/119
- 2009/0071089 A1* 3/2009 Neuhofer, Jr. E04F 19/061
52/469
- 2009/0266021 A1* 10/2009 Neuhofer, Jr. E04F 19/062
52/468
- 2012/0255249 A1* 10/2012 Singh E04F 19/061
52/302.1
- 2013/0186027 A1* 7/2013 Sharpe E04C 2/46
52/506.05
- 2015/0027074 A1* 1/2015 Preston E04F 19/062
52/302.1
- 2015/0308125 A1* 10/2015 Helms E04C 2/46
52/309.9
- 2017/0260752 A1* 9/2017 Bilge E04F 19/062

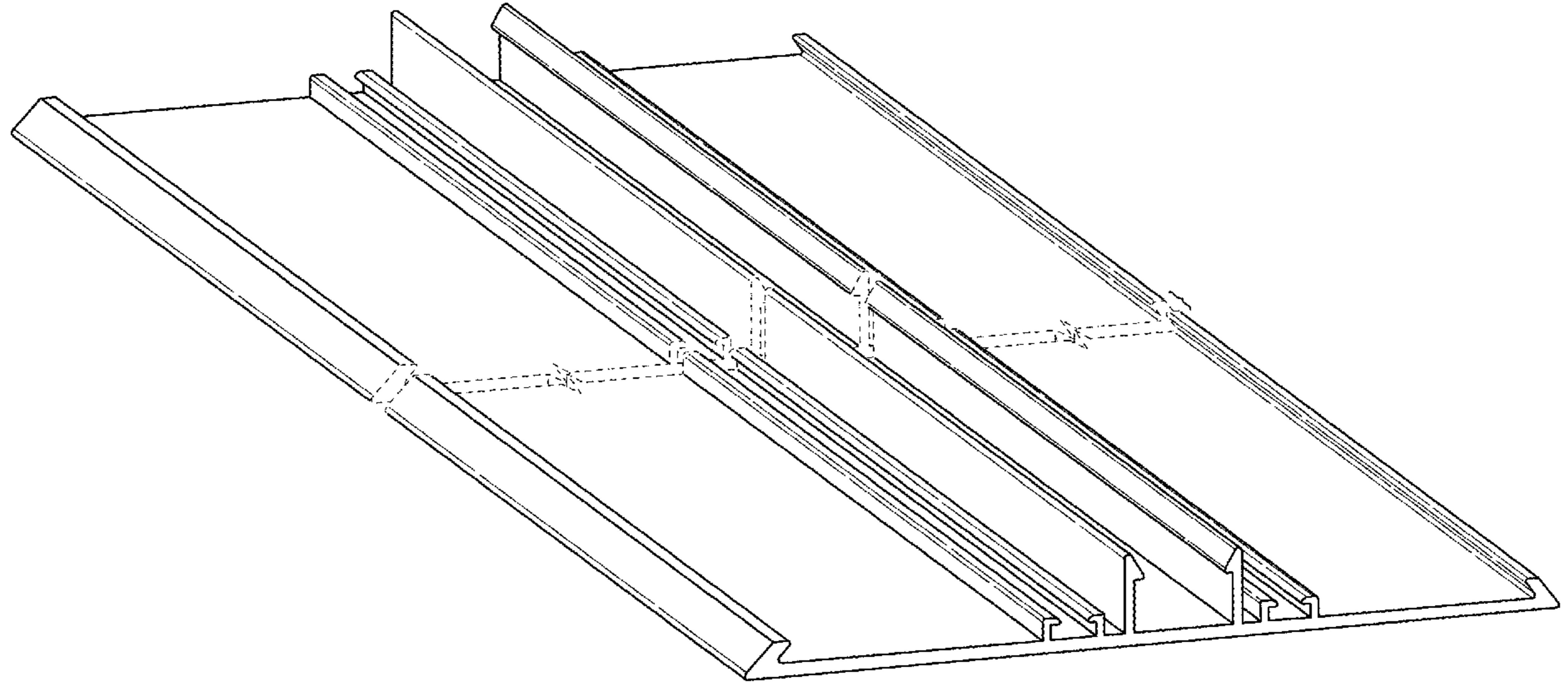
(Continued)

Primary Examiner — Llorellys Martinez
(74) *Attorney, Agent, or Firm* — Knobbe, Martens, Olson
& Bear, LLP

(57) **CLAIM**
The ornamental design for a building extrusion, as shown
and described.

DESCRIPTION
FIG. 1 is a front end view of a building extrusion, showing
our new design;
FIG. 2 is a back end view thereof;
FIG. 3 is a right side elevational view thereof;
FIG. 4 is a left side elevational view thereof;
FIG. 5 is a bottom plan view thereof;
FIG. 6 is a top plan view thereof; and,
FIG. 7 is a perspective view thereof.
The building extrusion is shown with a symbolic break in its
length. The appearance of any portion of the building
extrusion between the break lines forms no part of the
claimed design.

1 Claim, 7 Drawing Sheets



(56)

References Cited

U.S. PATENT DOCUMENTS

2018/0328051 A1* 11/2018 Singh E04F 13/0803
2020/0256063 A1* 8/2020 Franklin E04F 13/0803

* cited by examiner

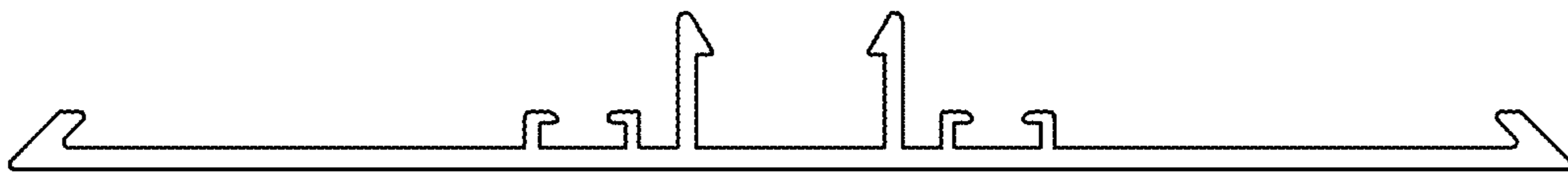


FIG. 1

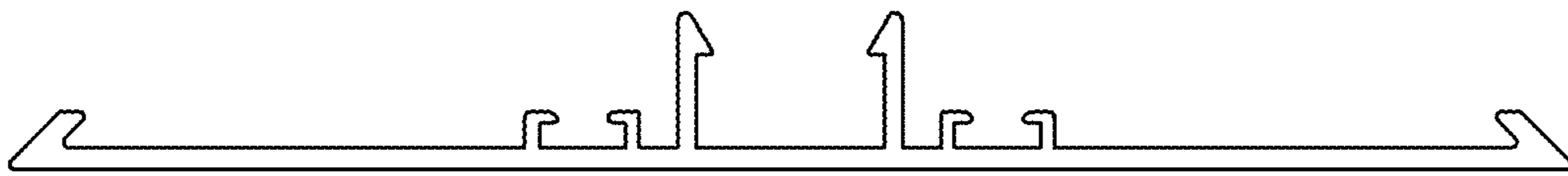


FIG. 2

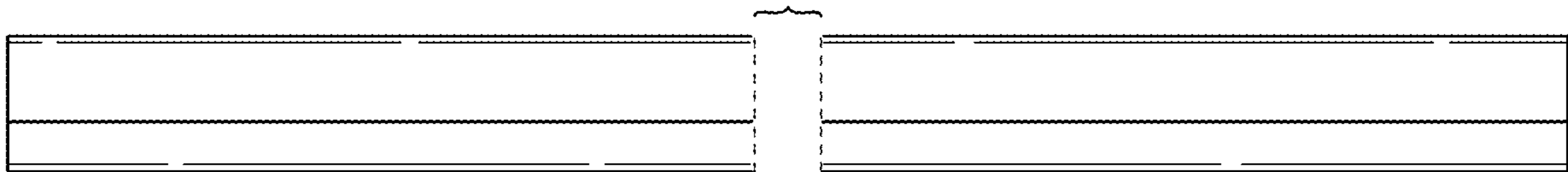


FIG. 3

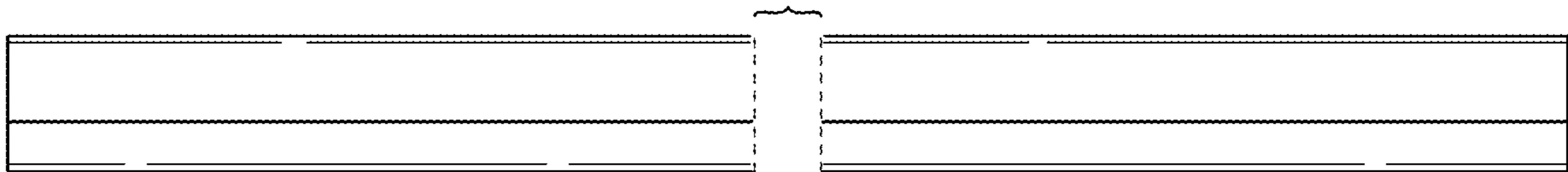


FIG. 4

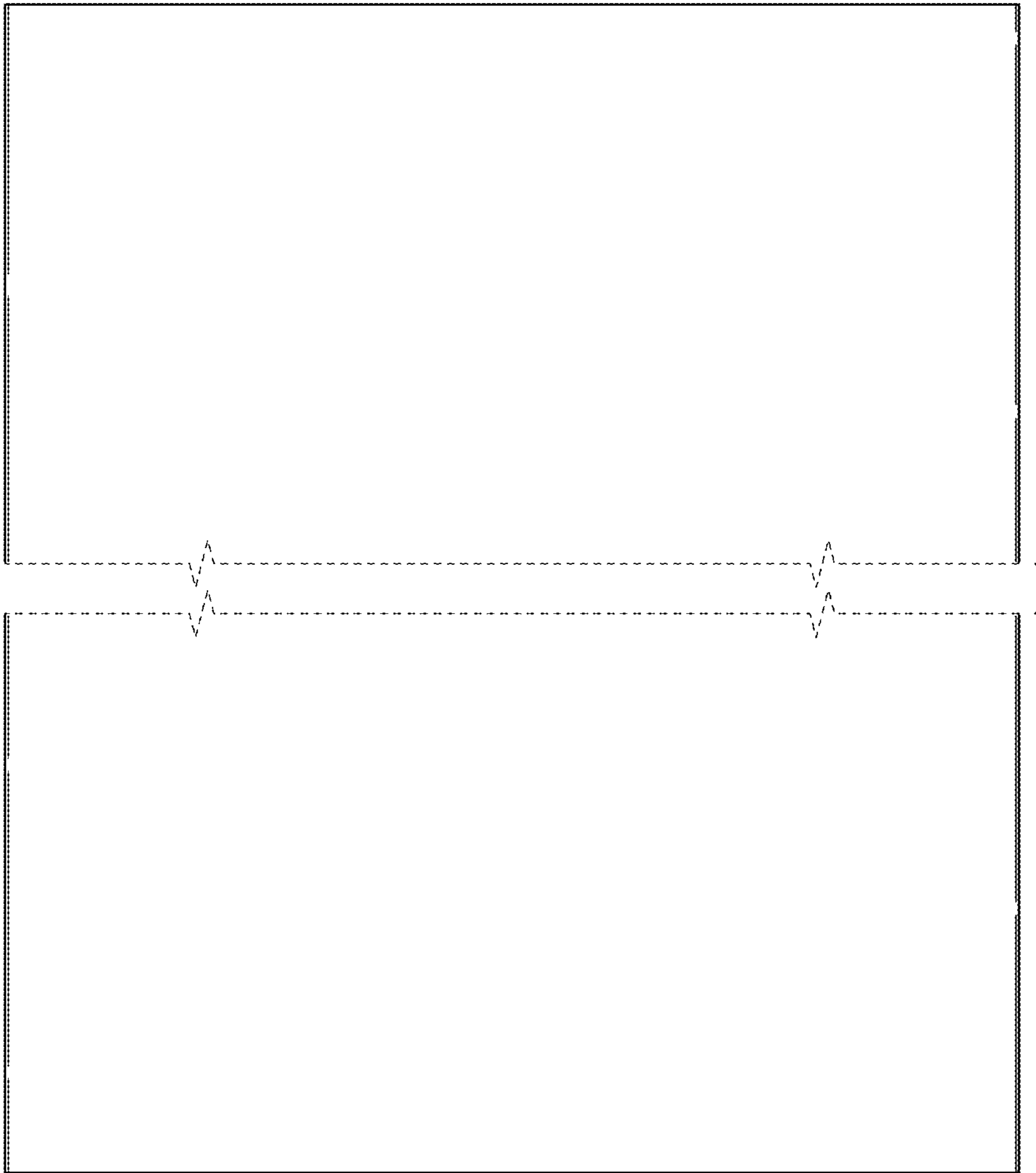


FIG. 5

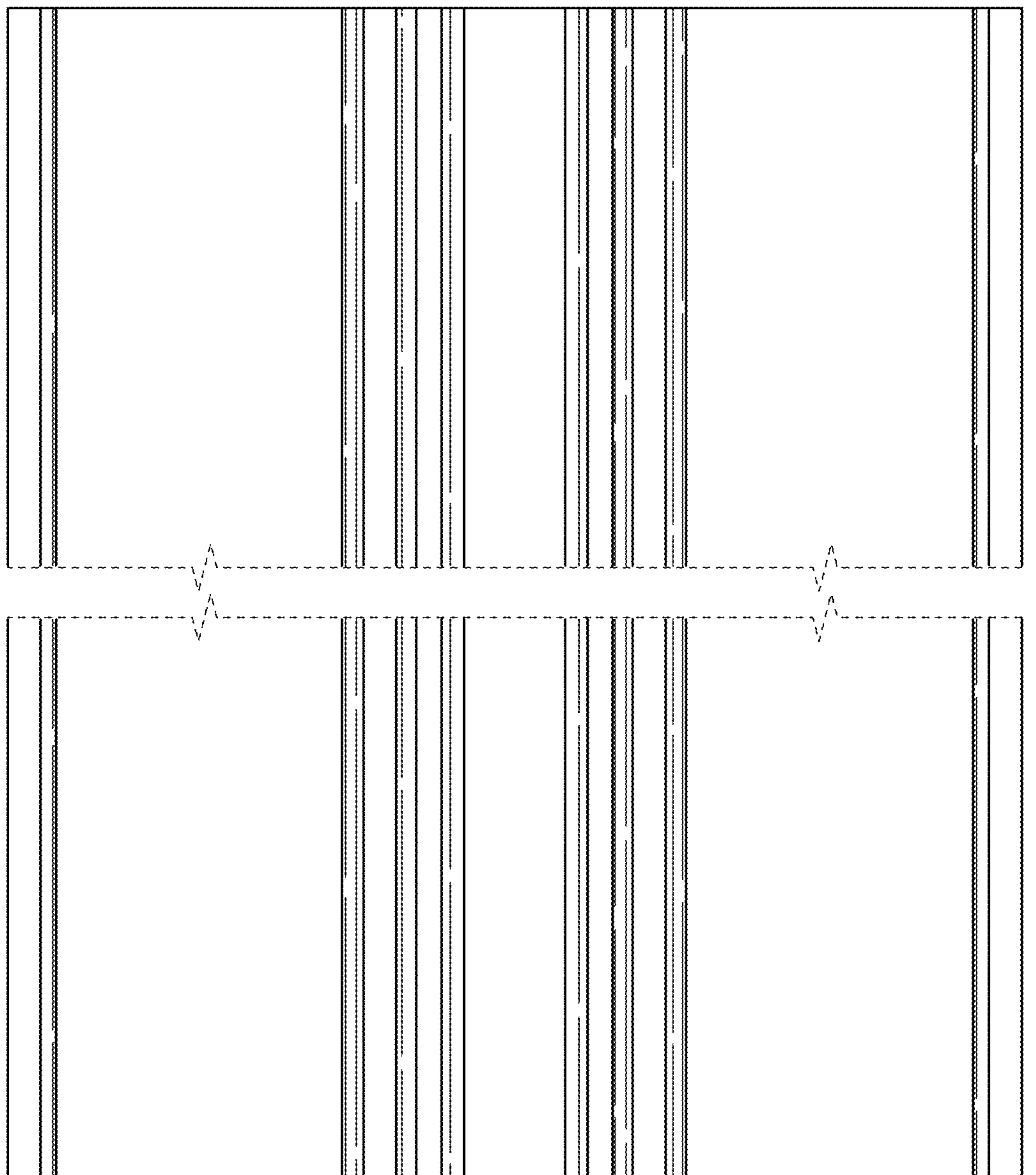


FIG. 6

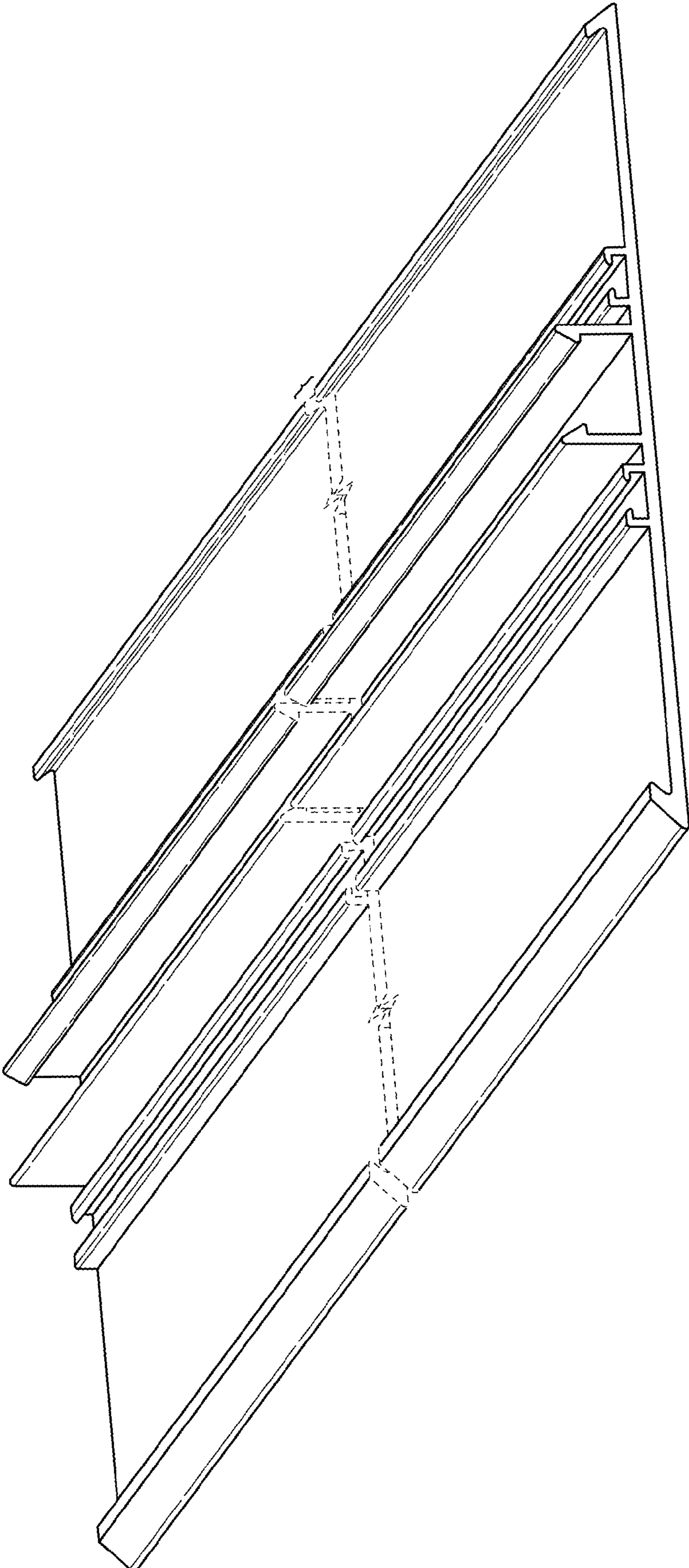


FIG. 7