



US00D914240S

(12) **United States Design Patent** (10) **Patent No.:** **US D914,240 S**
Pan et al. (45) **Date of Patent:** **** Mar. 23, 2021**

(54) **CURVED TOP PERGOLA**

FOREIGN PATENT DOCUMENTS

(71) Applicant: **Sunjoy Industries Group Ltd.**,
Steubenville, OH (US)

CH 635393 A5 3/1983
CN 304975581 * 1/2019

(72) Inventors: **Lianzhang Pan**, Huzhou (CN); **Qi Zhu**, Jiaxing (CN)

OTHER PUBLICATIONS

(73) Assignee: **Sunjoy Industries Group Ltd.**,
Steubenville, OH (US)

Sunjoy Allen and Roth YouTube <https://www.youtube.com/watch?v=QpjYE902oMw&app=desktop> Posted May 21, 2018 (Year: 2018).*

(Continued)

(**) Term: **15 Years**

Primary Examiner — Leanne Was-Englehart

(21) Appl. No.: **29/675,398**

(74) *Attorney, Agent, or Firm* — The Law Office of
Patrick F. O'Reilly III, LLC

(22) Filed: **Dec. 31, 2018**

Related U.S. Application Data

(57) **CLAIM**

(63) Continuation-in-part of application No. 16/237,529,
filed on Dec. 31, 2018, now Pat. No. 10,760,280,
which is a continuation-in-part of application No.
15/599,455, filed on May 18, 2017, now Pat. No.
10,214,938.

The ornamental design for a curved top pergola, as shown
and described.

(51) **LOC (13) Cl.** **25-02**

(52) **U.S. Cl.**
USPC **D25/56**

(58) **Field of Classification Search**
USPC D3/5; D21/834, 837, 838, 839; D25/56,
D25/57, 61
CPC . E04H 1/00-12; E04H 1/1205; E04H 1/1211;
E04H 1/1233

DESCRIPTION

FIG. 1 is a side-top perspective view of a curved top pergola
showing our new design;
FIG. 2 is a bottom-side perspective view of the curved top
pergola shown in FIG. 1;
FIG. 3 is a first side elevational view of the curved top
pergola shown in FIG. 1;
FIG. 4 is a second side elevational view of the curved top
pergola shown in FIG. 1;
FIG. 5 is a front elevational view of the curved top pergola
shown in FIG. 1;
FIG. 6 is a rear elevational view of the curved top pergola
shown in FIG. 1;
FIG. 7 is a bottom plan view of the curved top pergola
shown in FIG. 1; and,
FIG. 8 is a top plan view of the curved top pergola shown
in FIG. 1.

See application file for complete search history.

The broken lines depict portions of the corner posts that
form no part of the claimed design.

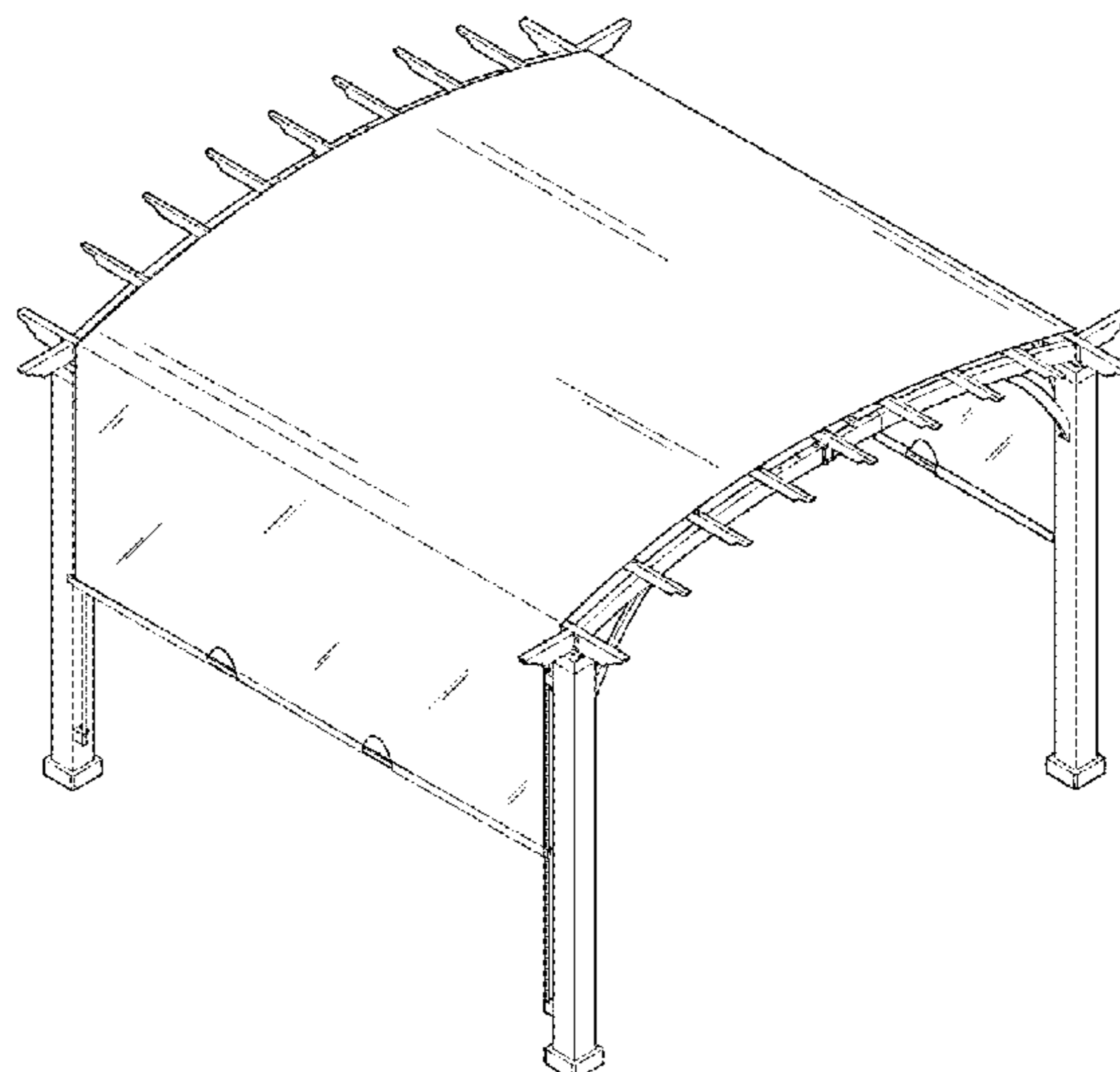
(56) **References Cited**

U.S. PATENT DOCUMENTS

1,061,547 A 5/1913 Kennedy
2,589,647 A 3/1952 Van Gelder et al.
2,948,288 A 8/1960 Nelson
3,140,563 A 7/1964 Allen
4,541,214 A 9/1985 Lambert
D293,934 S 1/1988 Lambert et al.

(Continued)

1 Claim, 4 Drawing Sheets



(56)

References Cited

U.S. PATENT DOCUMENTS

5,148,646 A 9/1992 Lutostanski
 5,927,311 A 7/1999 Jager
 6,006,809 A 12/1999 Williams et al.
 6,088,989 A 7/2000 Matsu et al.
 D464,438 S 10/2002 Skulsky
 D485,367 S 1/2004 Skulsky
 D523,969 S * 6/2006 Abruzese D25/56
 7,165,372 B1 1/2007 Skulsky
 7,335,096 B2 2/2008 Perez et al.
 D565,198 S * 3/2008 Tung D25/56
 D602,602 S 10/2009 Sears
 D603,058 S 10/2009 Sears
 7,665,270 B1 2/2010 Moffly
 7,669,373 B2 3/2010 Muir
 7,900,417 B1 3/2011 Leines
 8,061,106 B2 11/2011 Clark
 8,240,097 B2 8/2012 Day et al.
 8,347,559 B2 1/2013 Grazioso
 8,413,389 B2 4/2013 Frigerio
 D687,969 S 8/2013 Randol et al.
 8,640,420 B1 2/2014 Halley
 9,016,594 B2 4/2015 Sheridan

9,243,422 B2 1/2016 Hunt et al.
 9,556,639 B2 1/2017 Hunt et al.
 9,624,689 B2 4/2017 Bailey et al.
 D785,814 S * 5/2017 Koo D25/56
 D799,062 S * 10/2017 Larin D25/56
 D802,797 S * 11/2017 Morrison D25/56
 10,214,938 B2 2/2019 Pan
 D856,530 S * 8/2019 Oskoui D25/18
 2007/0017646 A1 1/2007 Zhao
 2016/0130836 A1 5/2016 Shargani
 2016/0258182 A1 9/2016 Xie
 2017/0009483 A1 1/2017 Xie
 2017/0022731 A1 1/2017 Xie
 2017/0183876 A1 6/2017 Bailey et al.

OTHER PUBLICATIONS

Sunjoy Pergolas Overstock https://www.overstock.com/Home-Garden/Gazebos-Pergolas/22409/subcat.html?featuredproduct=19976027&featuredooption=33225785&AID=13516709&PID=7494768&SID=460579997&cjevent=16117e4c1fa2fc3db24923f169000317f7393a08b3b73ee7f&entrytrigger=noshow&exittrigger=noshow&fp=F&utm_source (Year: 2018).*

* cited by examiner

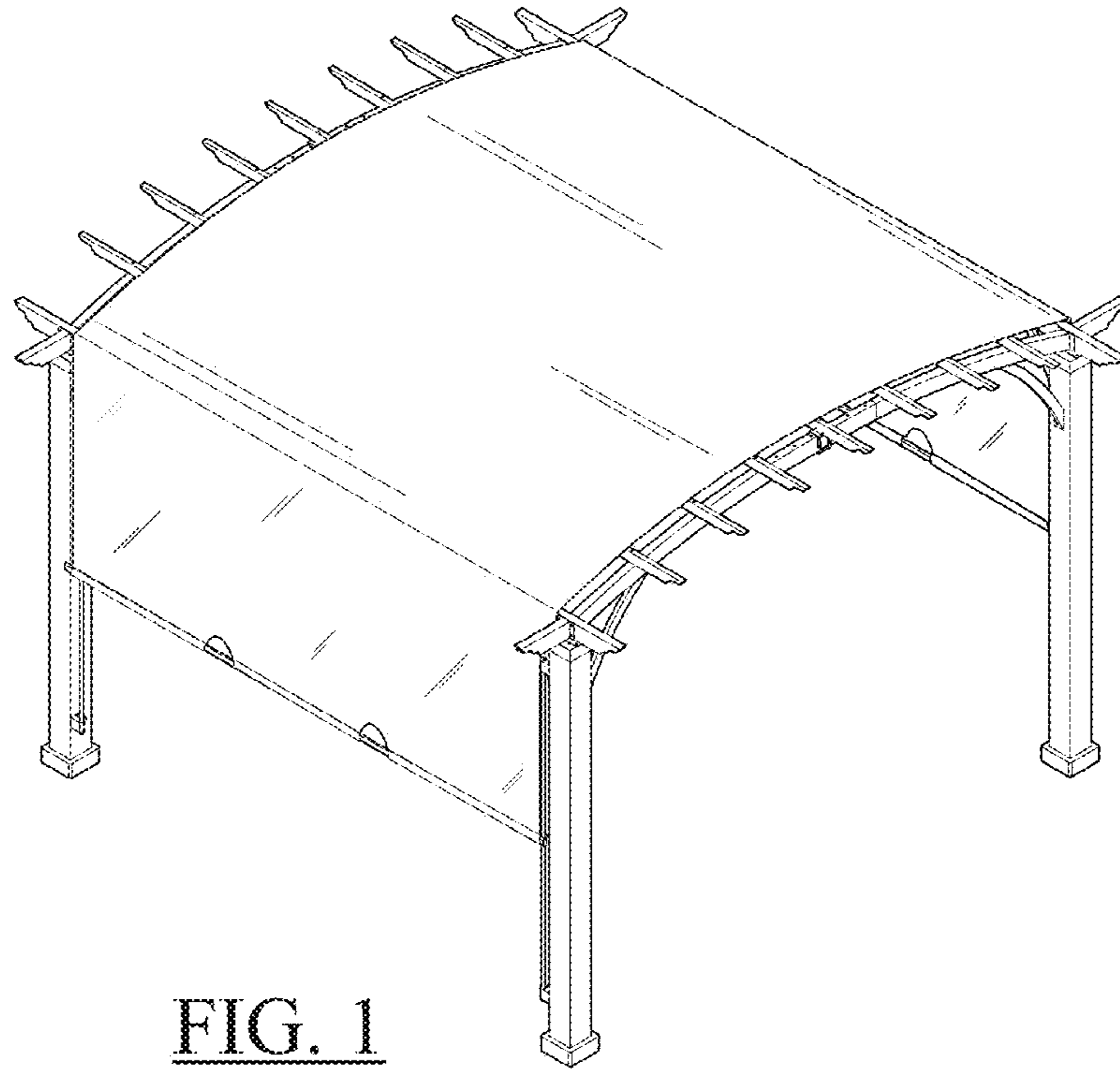


FIG. 1

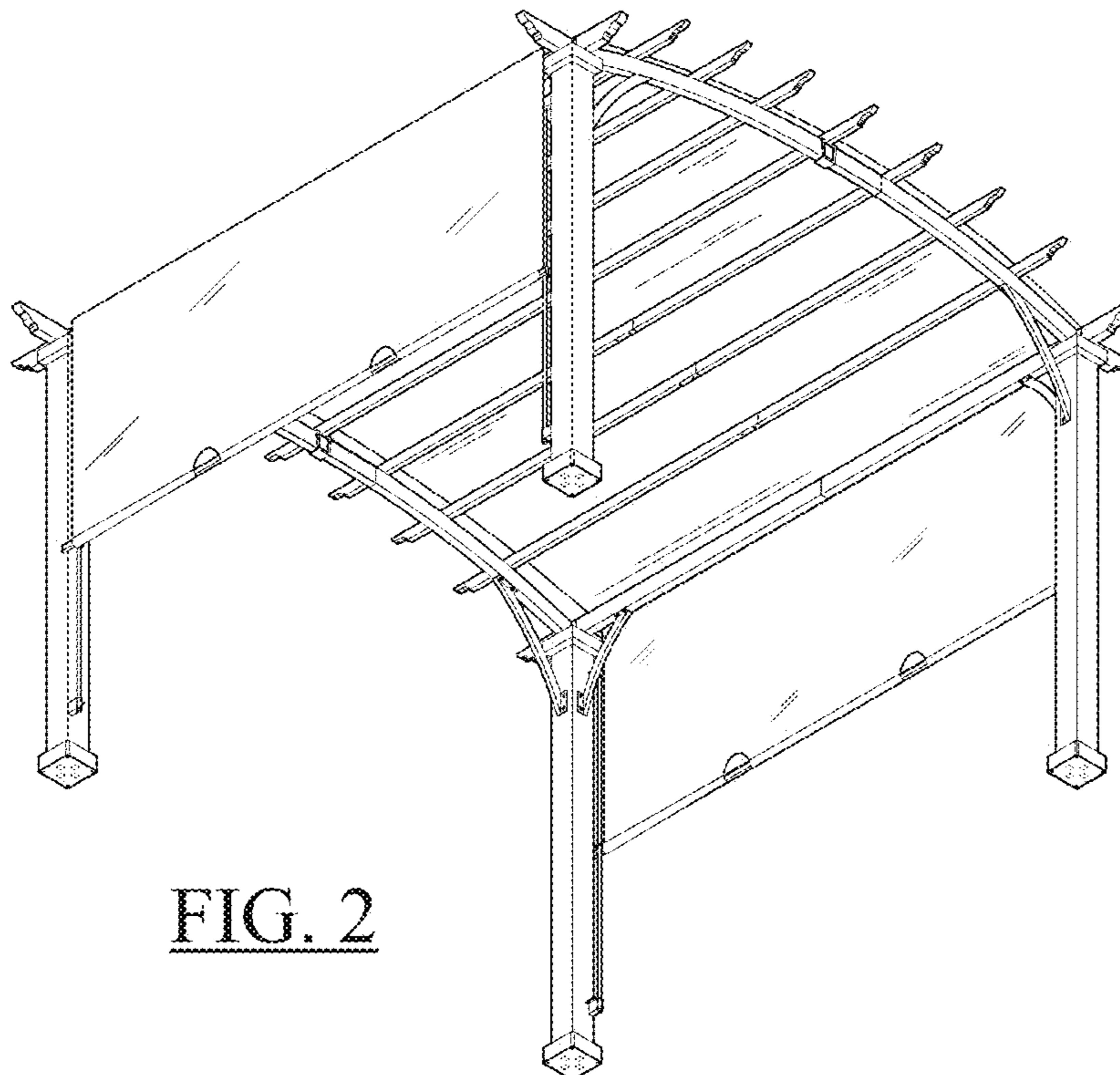


FIG. 2

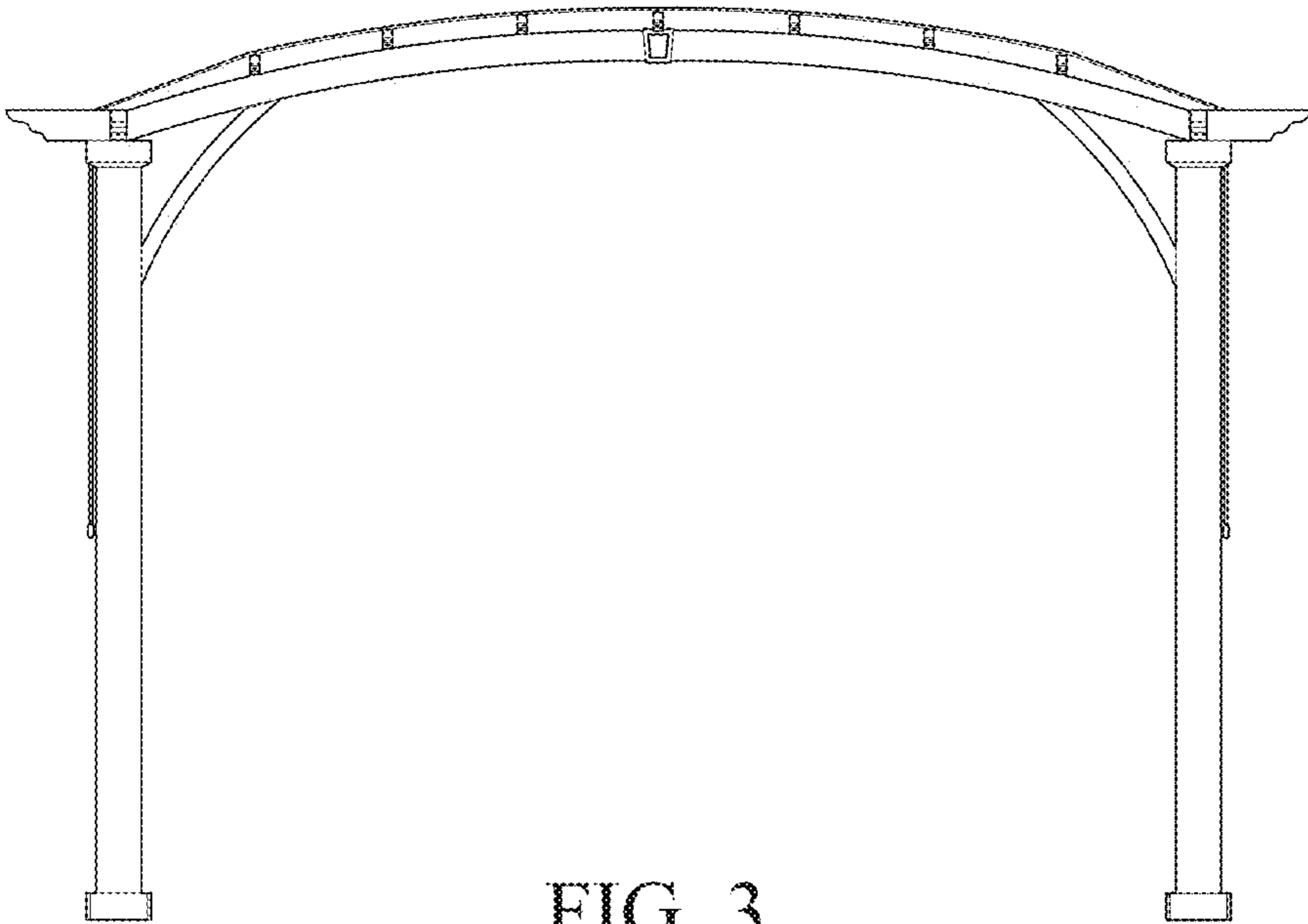


FIG. 3

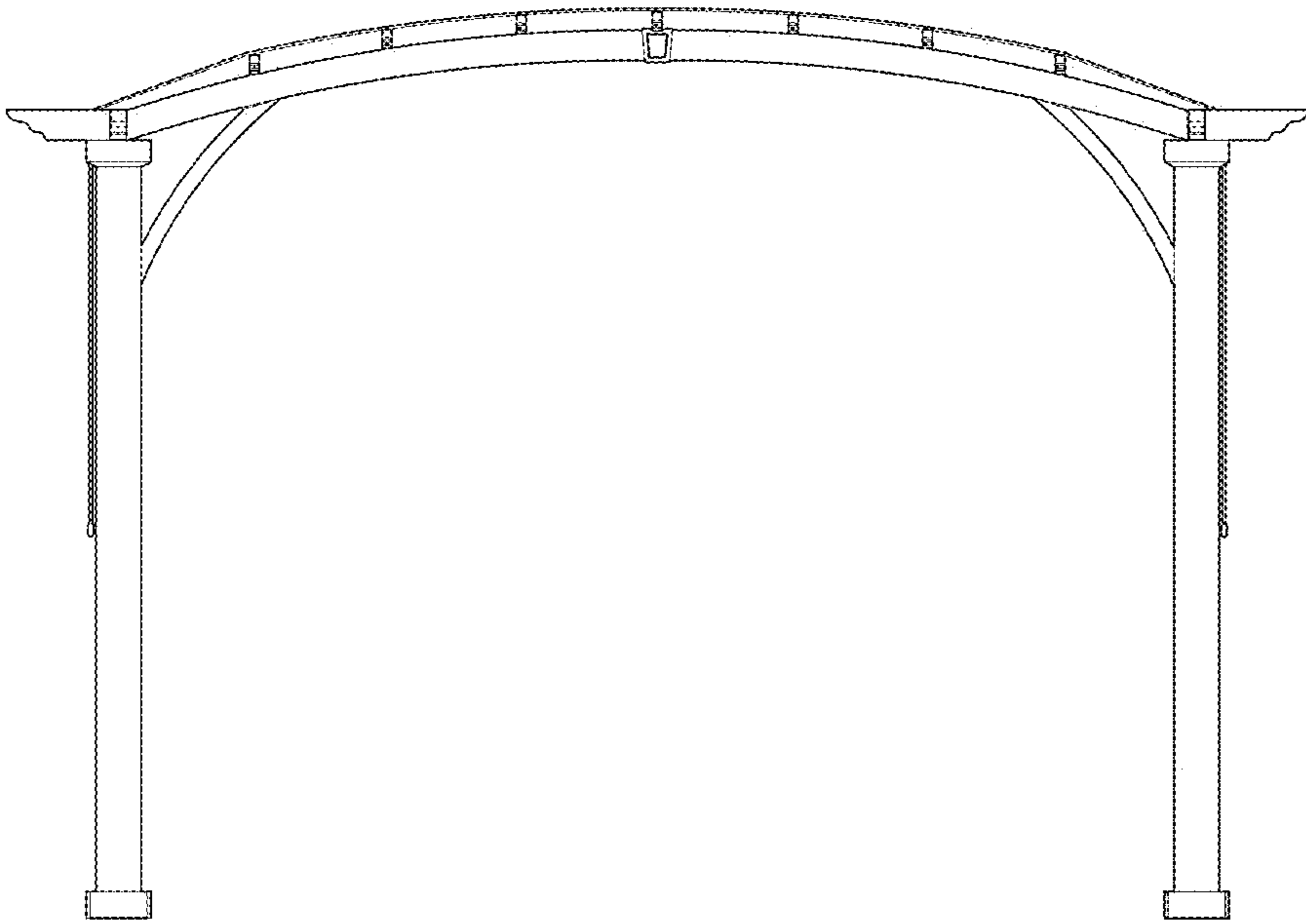


FIG. 4

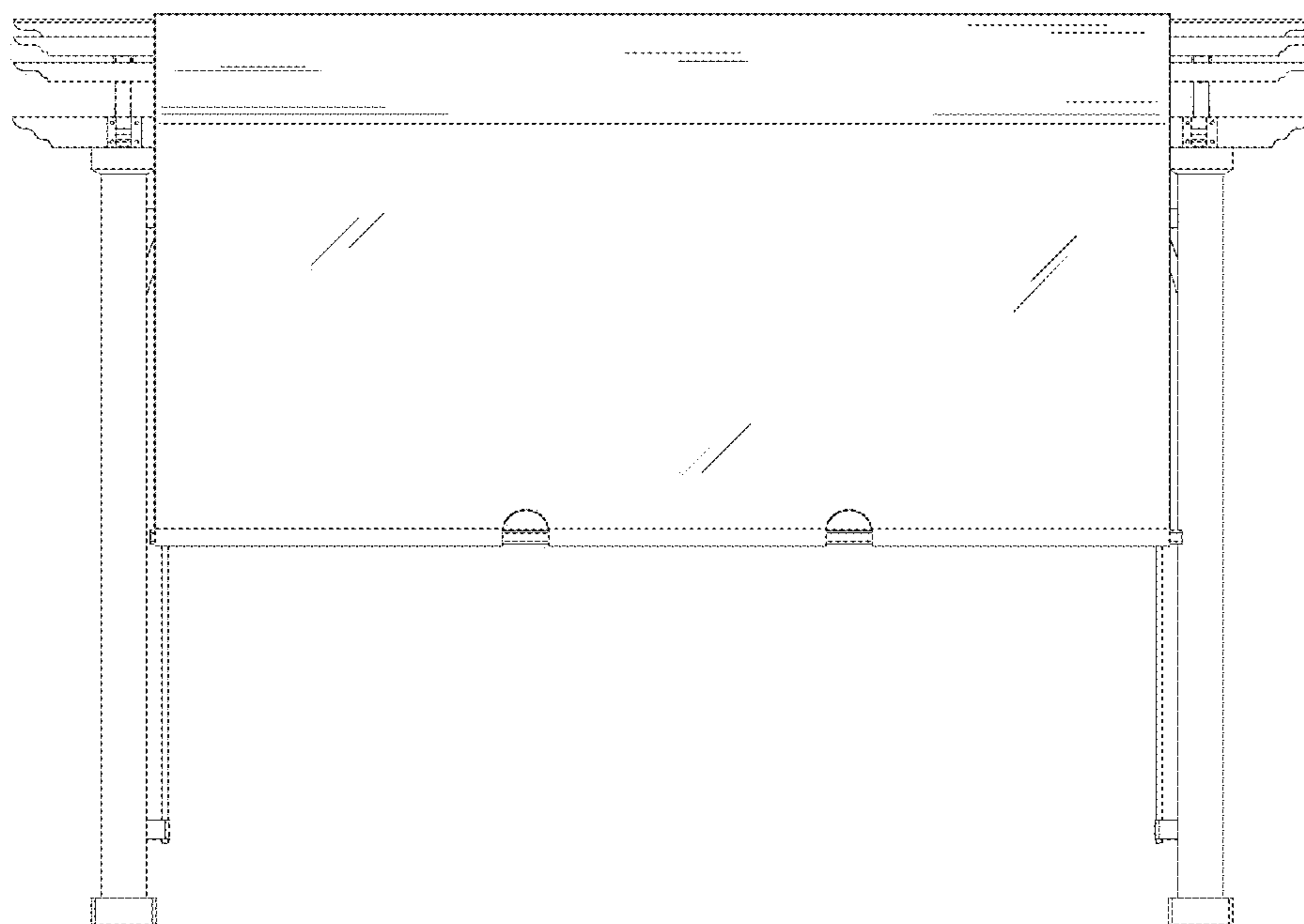


FIG. 5

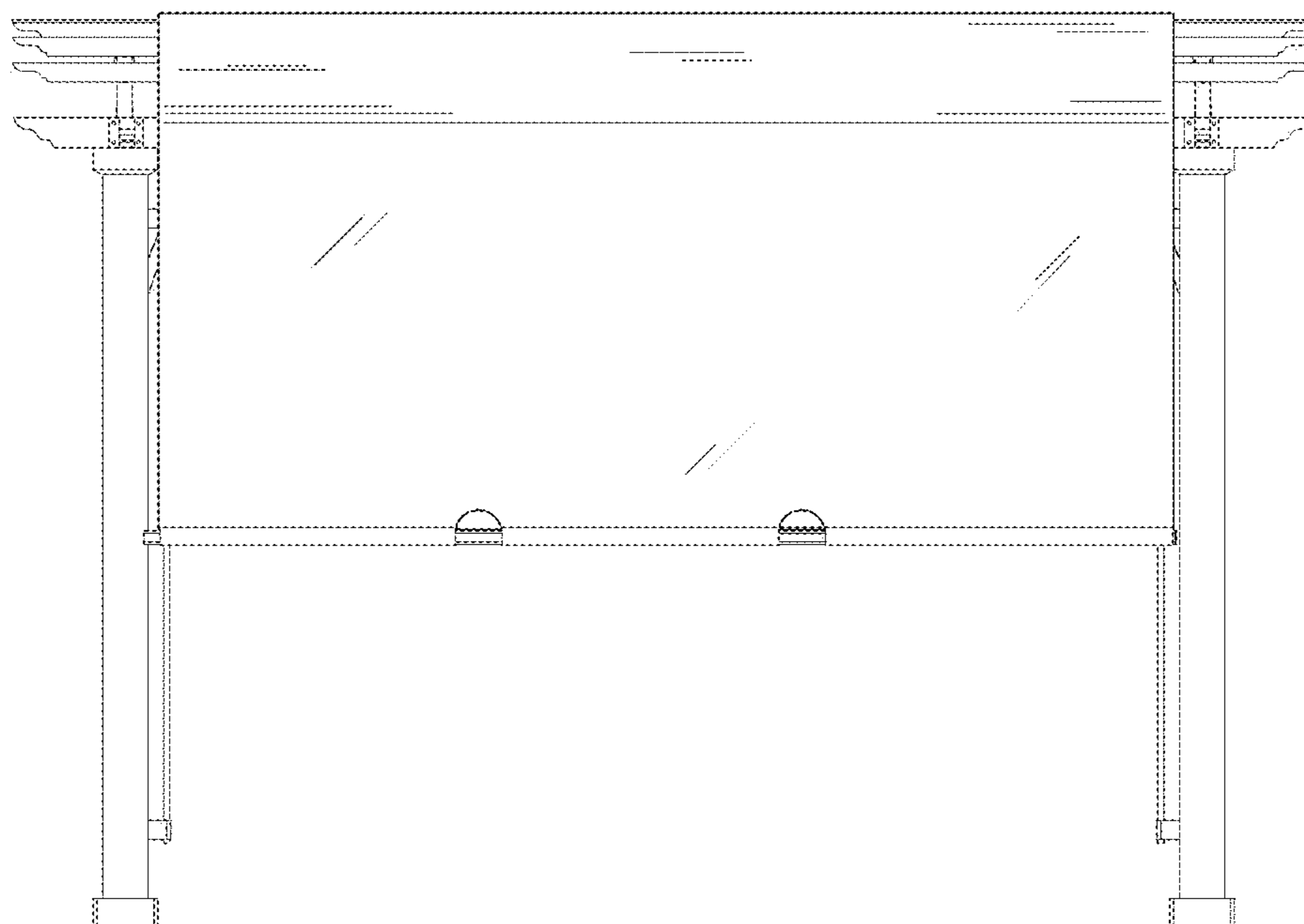


FIG. 6

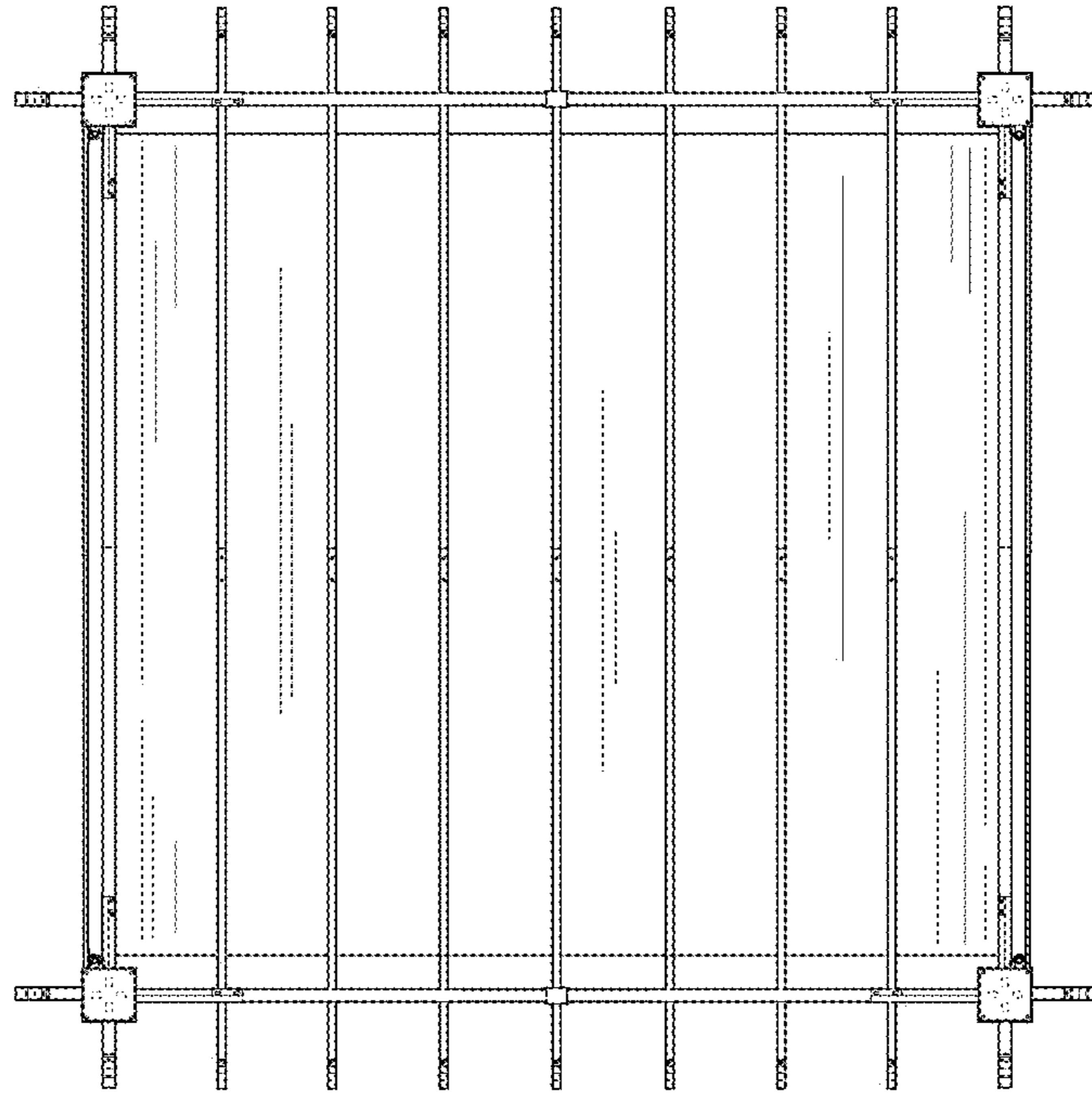


FIG. 7

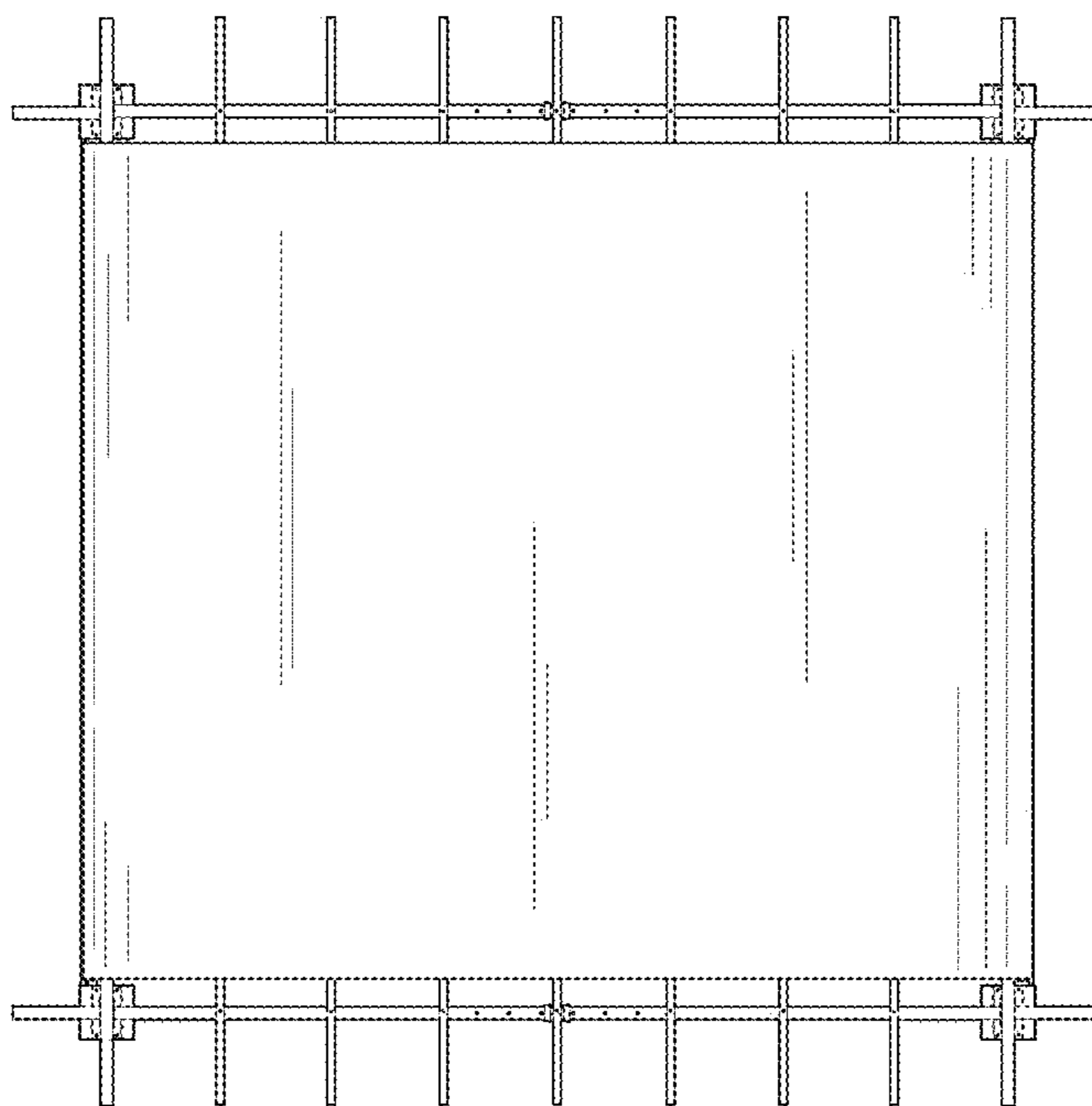


FIG. 8