



US00D914235S

(12) **United States Design Patent**
Zhao et al.

(10) **Patent No.:** **US D914,235 S**
(45) **Date of Patent:** **** Mar. 23, 2021**

(54) **PIPETTE**

FOREIGN PATENT DOCUMENTS

(71) Applicants: **Mettler-Toledo (Changzhou) Measurement Technology Co., Ltd.**, Jiangsu Province (CN); **Mettler-Toledo (Changzhou) Precision Instrument Co., Ltd.**, Jiangsu Province (CN); **Mettler-Toledo International Trading (Shanghai) Co., Ltd.**, Shanghai (CN)

WO 2018-04-26 * 6/2018

(72) Inventors: **Bo Zhao**, Jiangsu Province (CN); **Wenqin He**, Jiangsu Province (CN)

OTHER PUBLICATIONS

(73) Assignees: **METTLER-TOLEDO (CHANGZHOU) MEASUREMENT TECHNOLOGY CO., LTD.**, Jiangsu (CN); **METTLER-TOLEDO (CHANGZHOU) PRECISION INSTRUMENT CO., LTD.**, Jiangsu (CN); **METTLER-TOLEDO INTERNATIONAL TRADING (SHANGHAI) CO., LTD.**, Shanghai (CN)

Pearl® Adjustable Multichannel Pipettes. Online, published date unknown. Retrieved on Mar. 22, 2020 from URL: <https://www.marketlab.com/multichannel-pipettes/p/Pearl-Adjustable-Multichannel-Pipettes/>.*

Primary Examiner — Susan Bennett Hattan
Assistant Examiner — Omeed Agilee

(**) Term: **15 Years**

(21) Appl. No.: **29/667,211**

(22) Filed: **Oct. 19, 2018**

(74) *Attorney, Agent, or Firm* — Standley Law Group LLP; Jeffrey S. Standley; Stephen L. Grant

(57) **CLAIM**

The ornamental design for a pipette, as shown and described.

(30) **Foreign Application Priority Data**

DESCRIPTION

Apr. 20, 2018 (CN) 201830166384.3
(51) **LOC (13) Cl.** **24-02**
(52) **U.S. Cl.**
USPC **D24/222**
(58) **Field of Classification Search**
USPC D24/108, 114, 130, 186, 187, 220, 216,
D24/222, 224, 227, 232, 234; D10/57,
D10/60, 78, 80

FIG. 1 is a top left perspective view of a pipette, without showing a dispensing head attached to the front side; FIG. 2 is a bottom plan view thereof; FIG. 3 is a top plan view thereof; FIG. 4 is a left side elevation view thereof; FIG. 5 is a rear elevation view thereof; FIG. 6 is a front elevation view thereof; FIG. 7 is a top left perspective view of the pipette of FIG. 1, with a dispensing head attached to a front end thereof; FIG. 8 is a bottom plan view thereof; FIG. 9 is a top plan view thereof; FIG. 10 is a left side elevation view thereof; FIG. 11 is a rear elevation view thereof; and, FIG. 12 is a left side elevation view thereof. The broken lines depict portions of the pipette that form no part of the claimed design.

(Continued)

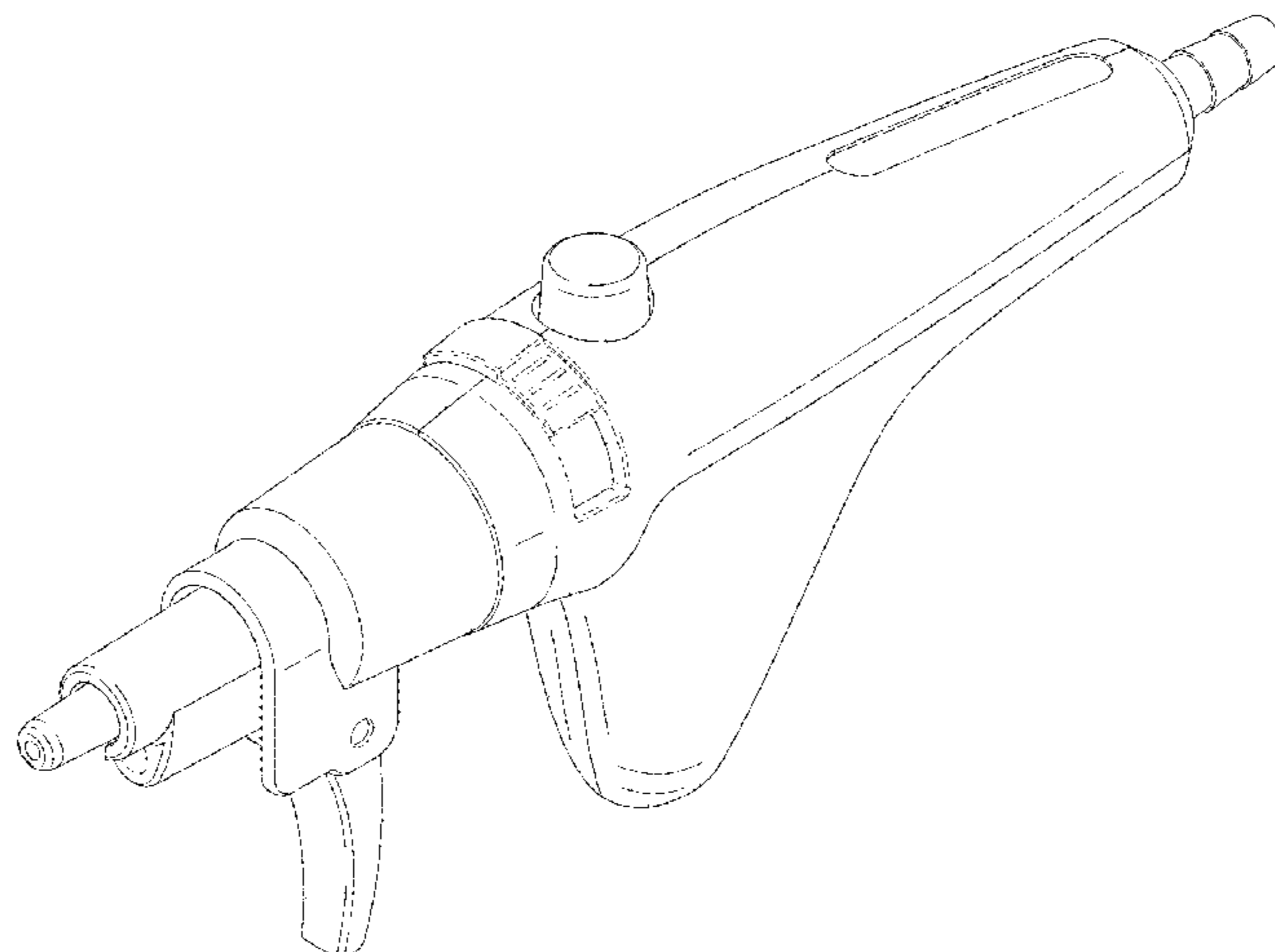
(56) **References Cited**

U.S. PATENT DOCUMENTS

4,779,467 A * 10/1988 Rainin B01L 3/0279
422/513
D419,685 S * 1/2000 Jacquet D24/222

(Continued)

1 Claim, 8 Drawing Sheets



(58) **Field of Classification Search**

CPC B01L 3/0217; B01L 3/0237

See application file for complete search history.

(56) **References Cited**

U.S. PATENT DOCUMENTS

D584,418	S	*	1/2009	Rylski	D24/222
D596,755	S	*	7/2009	Labak	D24/222
D625,429	S	*	10/2010	Link	D24/222
D635,273	S	*	3/2011	Malvoisin	D24/222
D672,469	S	*	12/2012	Christensen	D24/222
D703,828	S	*	4/2014	Jackson	D24/222
D770,056	S	*	10/2016	LaCroix	D24/222
D798,469	S	*	9/2017	Malvoisin	D24/222
D809,668	S	*	2/2018	Ramsamy	D24/222
D875,964	S	*	2/2020	Doebele	D24/222
D876,664	S	*	2/2020	Malvoisin	D24/222
D878,568	S	*	3/2020	Yim	D24/114
2009/0000350	A1	*	1/2009	Magnussen	B01L 3/0217 73/1.74
2012/0107193	A1	*	5/2012	Salo	B01L 3/0217 422/501
2012/0121483	A1	*	5/2012	Pullinen	B01L 3/0217 422/525

* cited by examiner

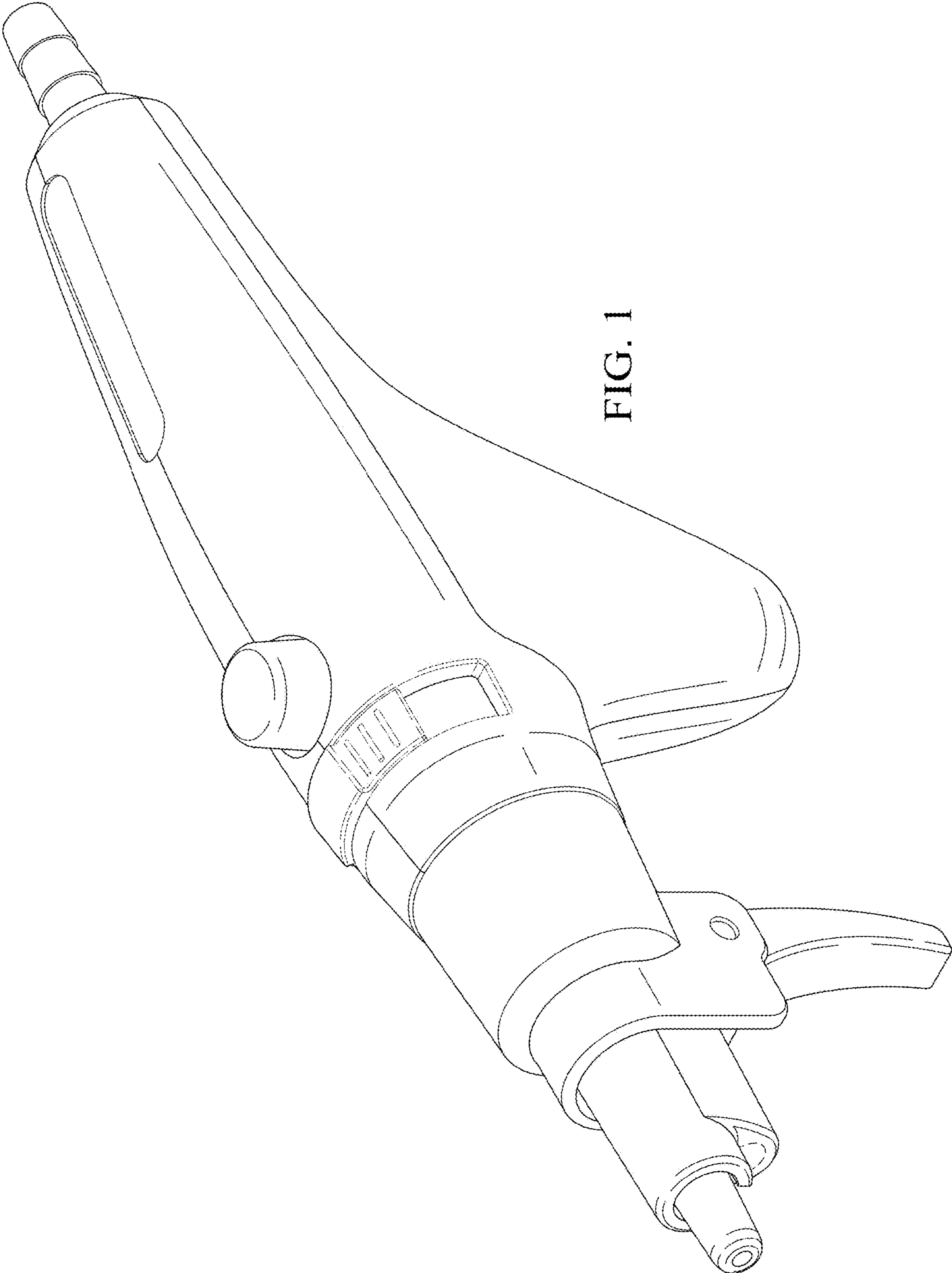


FIG. 1

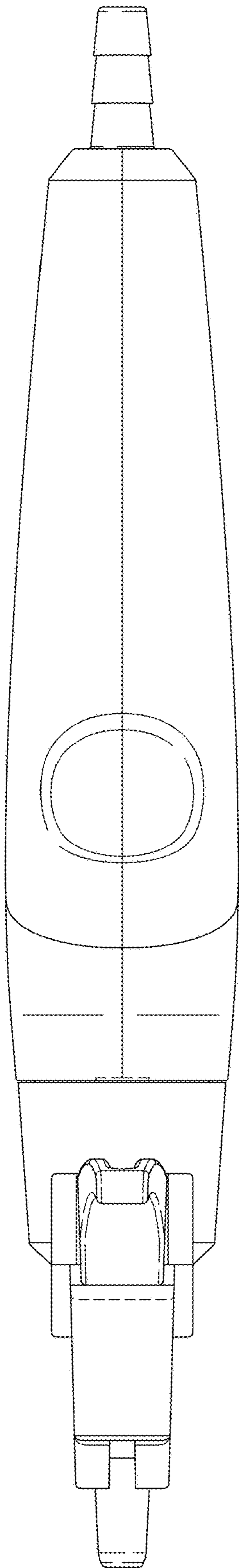


FIG. 2

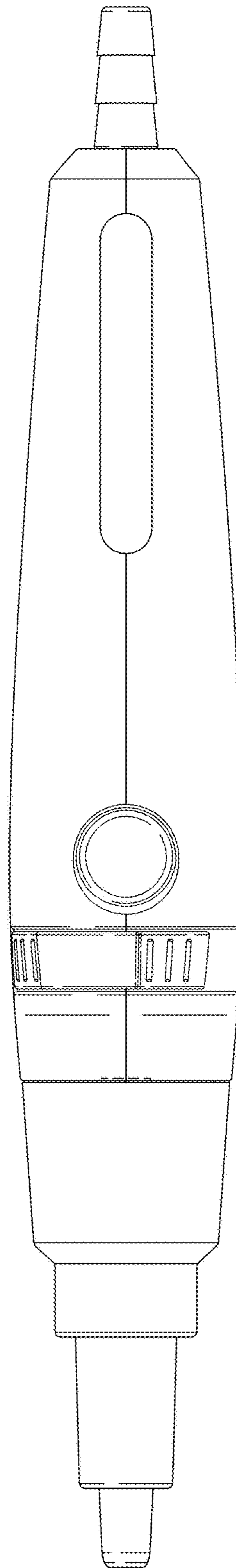


FIG. 3

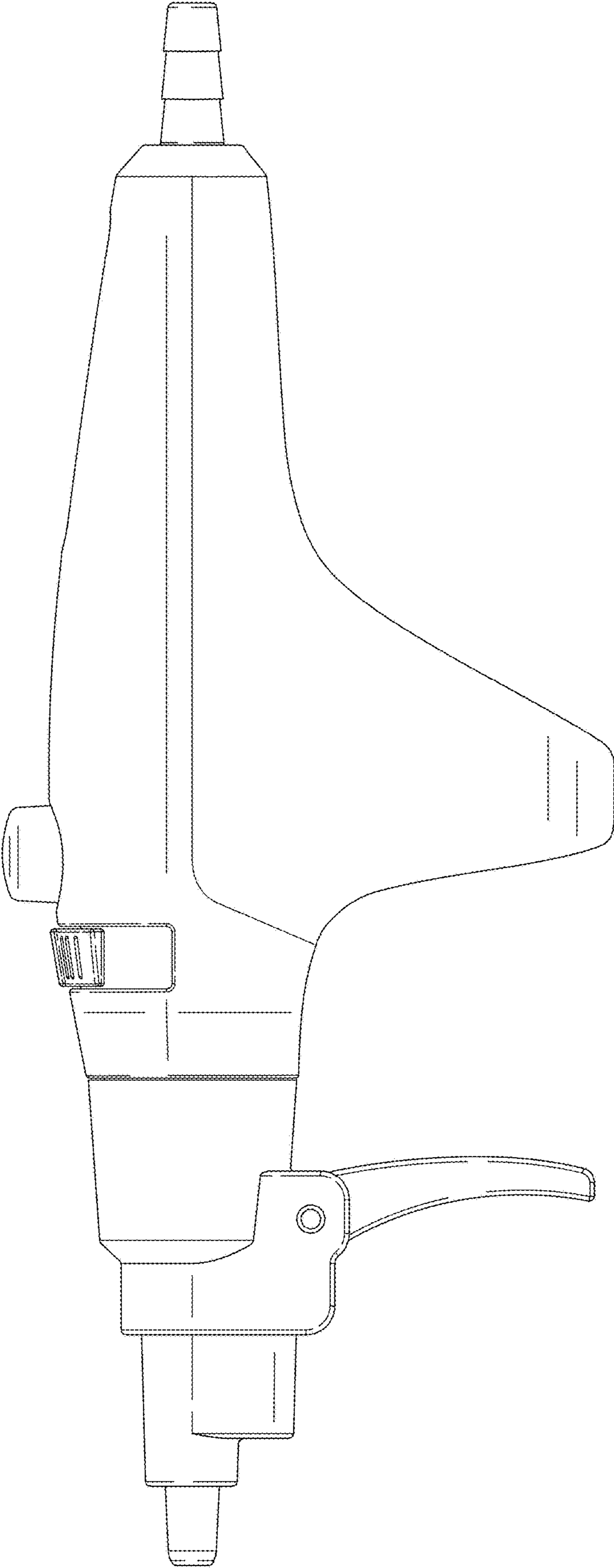


FIG. 4

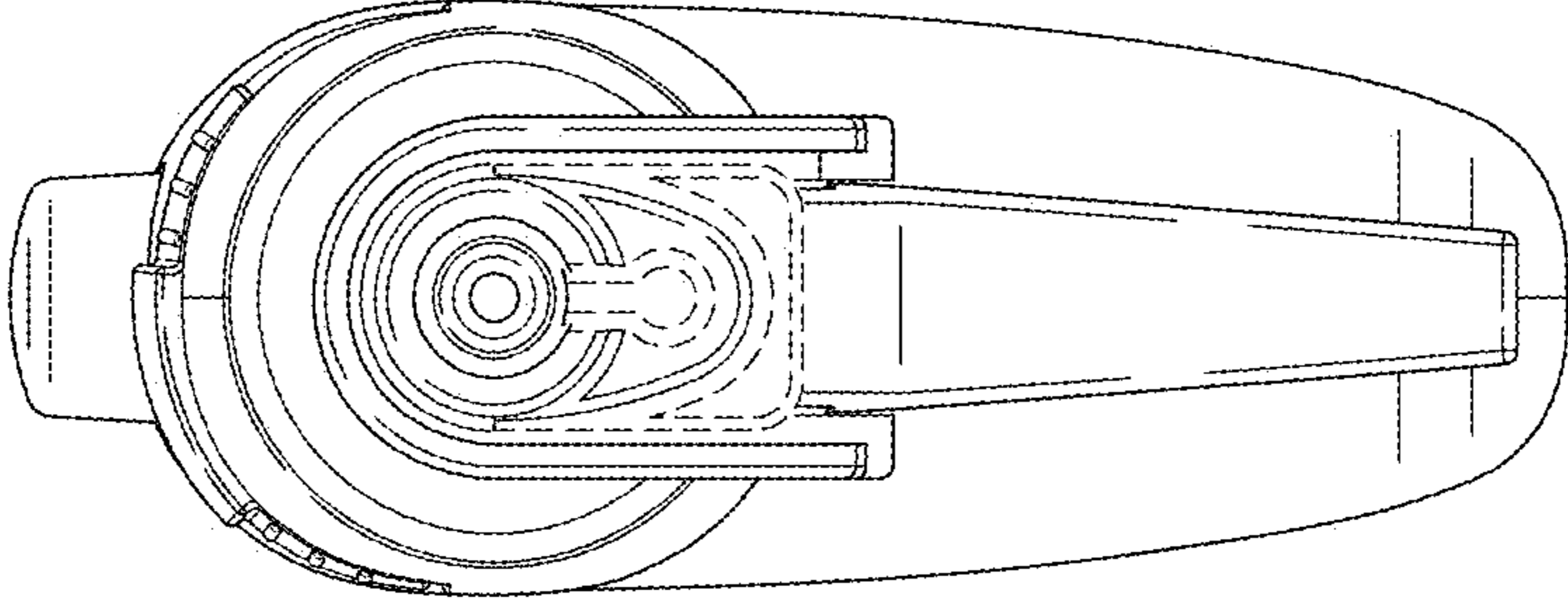


FIG. 6

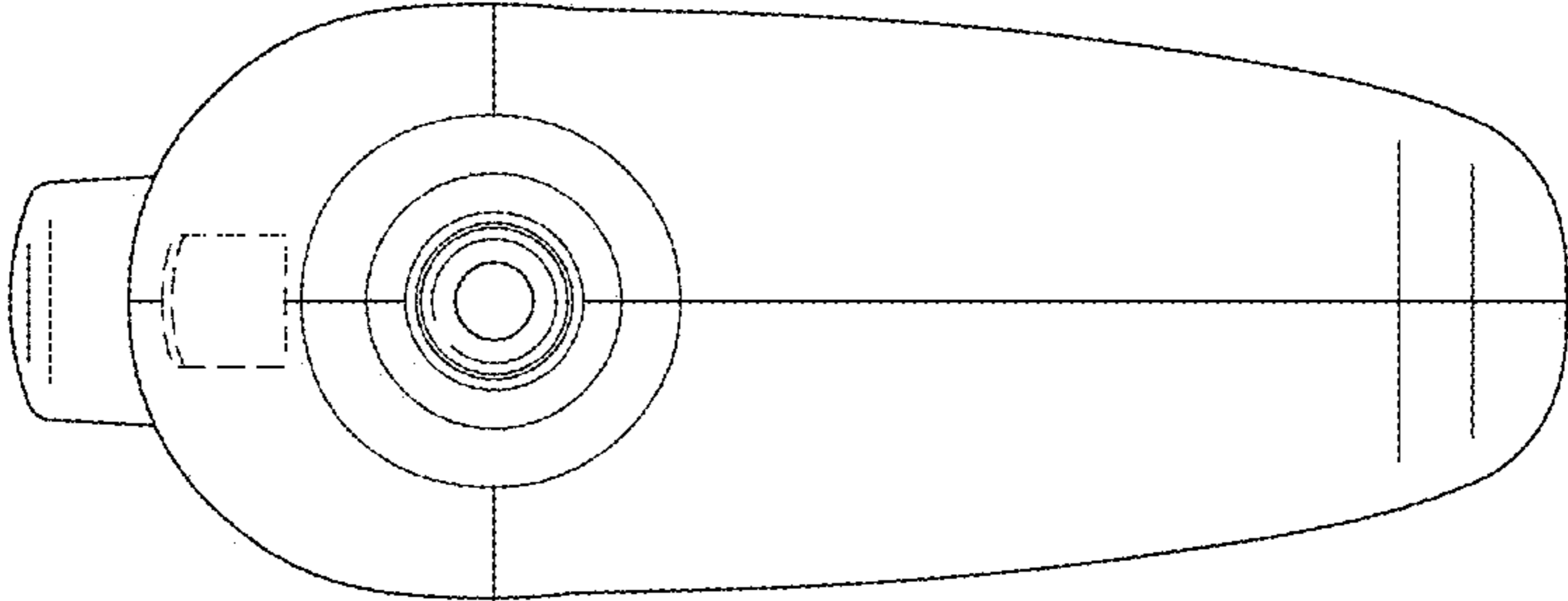


FIG. 5

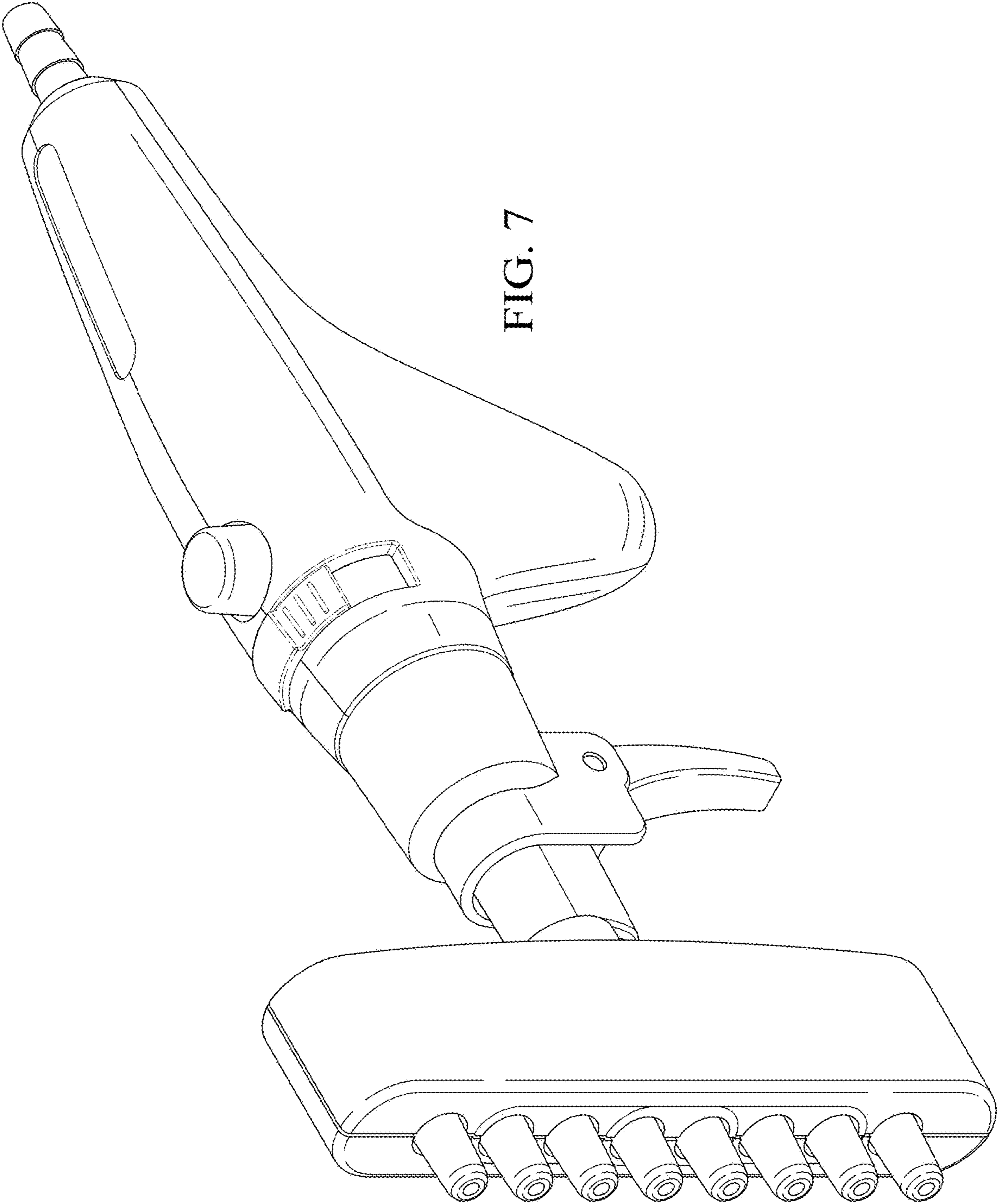


FIG. 7

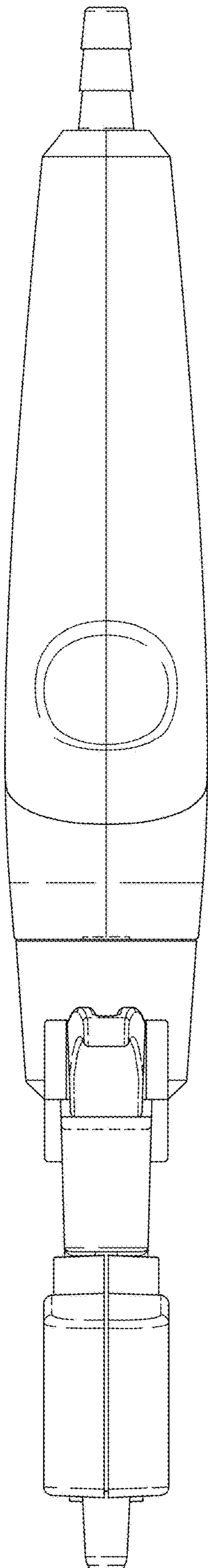


FIG. 8

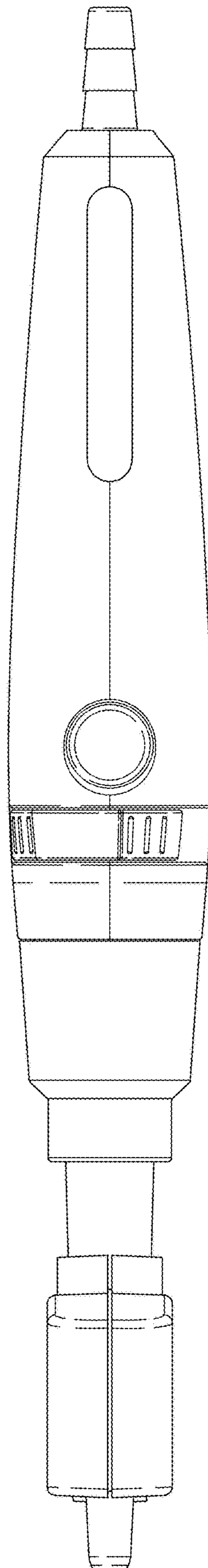


FIG. 9

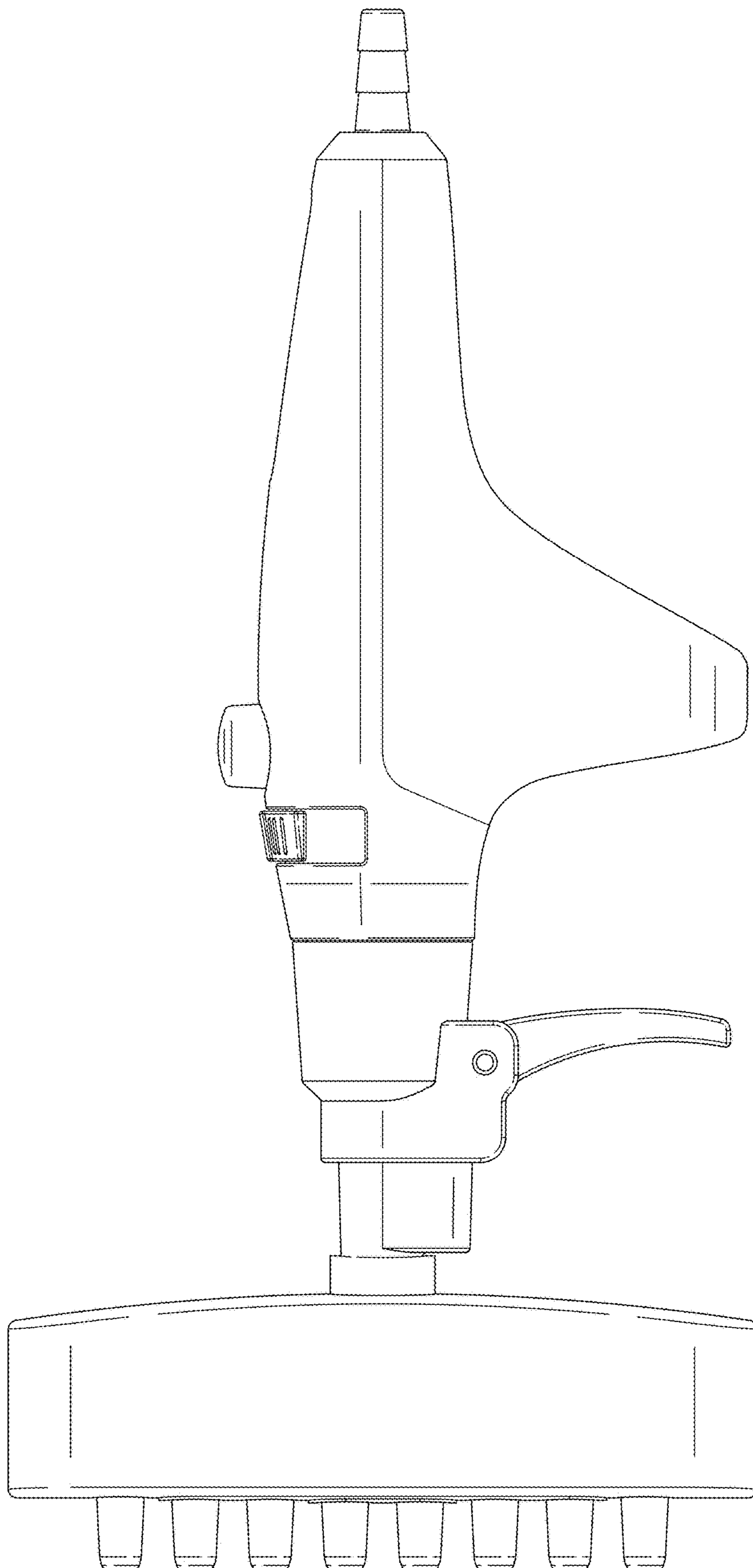


FIG. 10

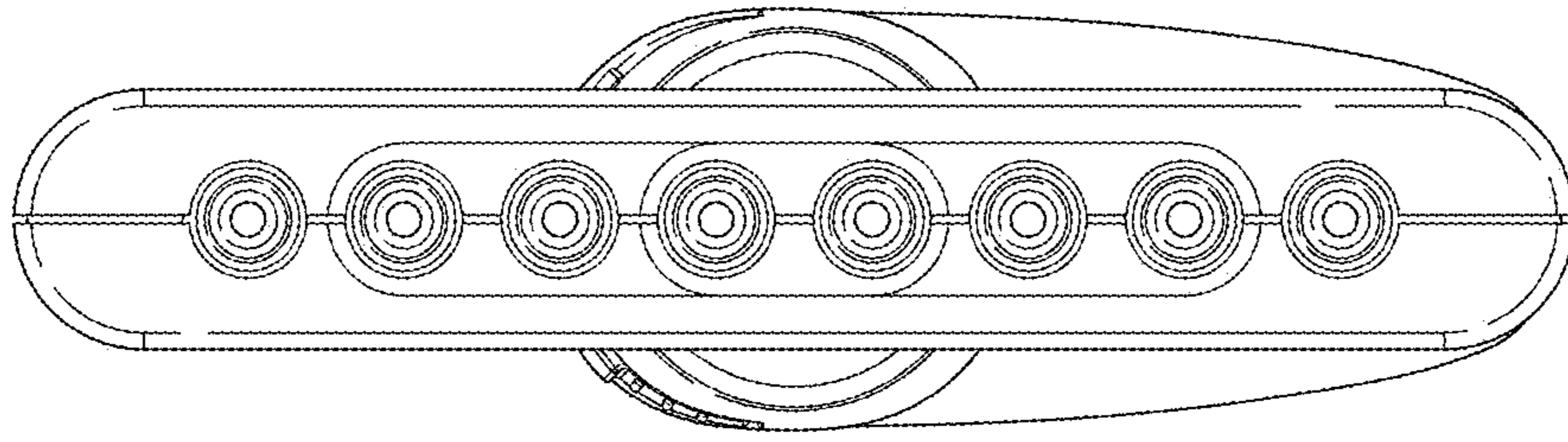


FIG. 11

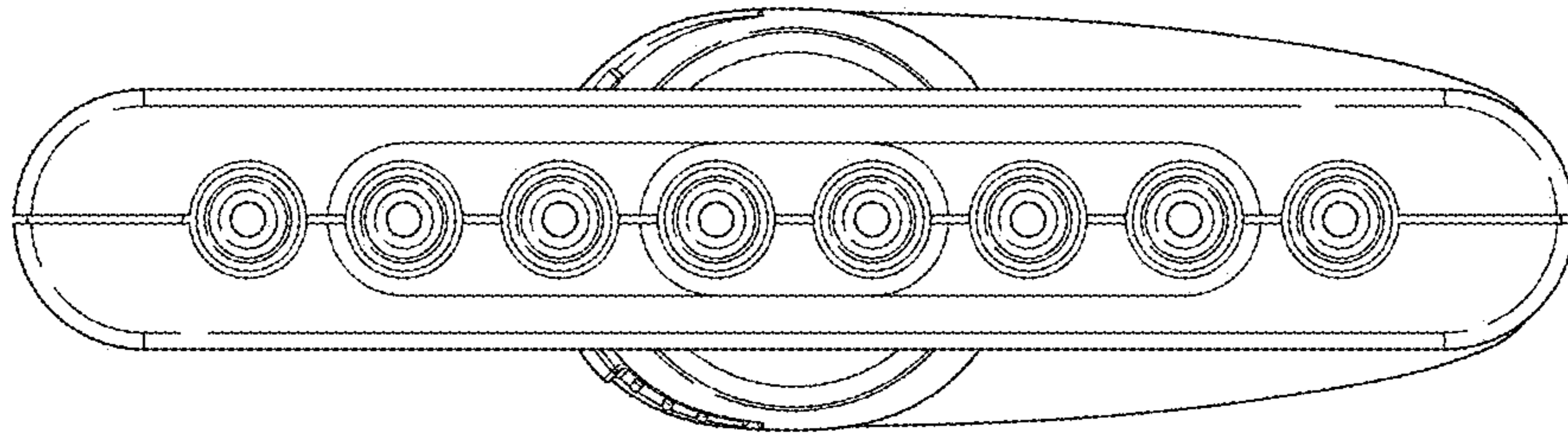


FIG. 12