

US00D914234S

(12) **United States Design Patent**
Yi

(10) **Patent No.:** **US D914,234 S**

(45) **Date of Patent:** **** Mar. 23, 2021**

(54) **UV STERILIZER**

(71) Applicant: **Norton Brilliant Electronic Technology Co., Ltd., Guangdong (CN)**

(72) Inventor: **Huaxiang Yi, Guangdong (CN)**

(73) Assignee: **Norton Brilliant Electronic Technology Co., Ltd., Shenzhen (CN)**

(**) Term: **15 Years**

(21) Appl. No.: **29/732,099**

(22) Filed: **Apr. 21, 2020**

(51) **LOC (13) Cl.** **24-01**

(52) **U.S. Cl.**
USPC **D24/217**

(58) **Field of Classification Search**
USPC D24/216, 217, 218, 219, 231, 232;
D3/203.1, 294; D32/1, 25
CPC A61L 2/26; A61L 2/24; A61L 2/17; A61L 2/18; A61L 2/025; A61L 2202/122; A61L 2202/10; A61L 2202/11; A61L 2202/14; A61L 2202/23; A61L 2202/24; A61L 2202/182

See application file for complete search history.

(56) **References Cited**

U.S. PATENT DOCUMENTS

D485,364 S 1/2004 Lee
D527,182 S * 8/2006 Ham D3/274
D850,030 S * 5/2019 Tian D32/1

D854,705 S * 7/2019 Ouyang D24/217
D862,723 S 10/2019 Ouyang
D870,313 S 12/2019 Ou Yang
D882,262 S * 4/2020 Zhang D3/294
D883,511 S * 5/2020 Li D24/217
D885,603 S * 5/2020 Zhang D24/217
D886,454 S * 6/2020 Williamson D3/294
D886,455 S * 6/2020 Williamson D3/294
D893,740 S * 8/2020 Lv D24/217

* cited by examiner

Primary Examiner — Anhdao Doan

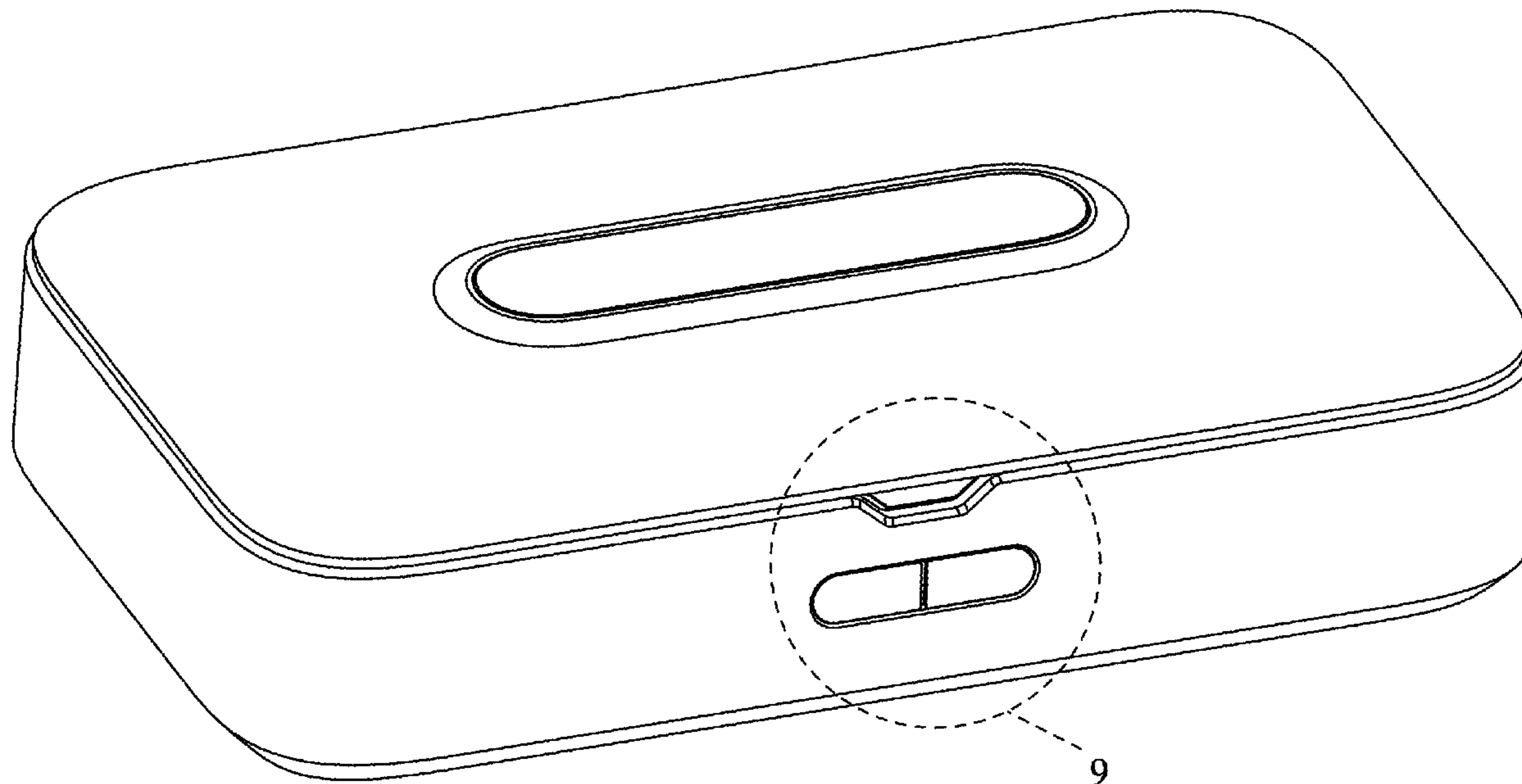
(57) **CLAIM**

The ornamental design for an UV sterilizer, as shown and described.

DESCRIPTION

FIG. 1 is a perspective view showing of my design from a front side;
FIG. 2 is another perspective view showing of my design from a rear side;
FIG. 3 is a front elevational view thereof;
FIG. 4 is a rear elevational view thereof;
FIG. 5 is a left side elevational view thereof;
FIG. 6 is a right side elevational view thereof;
FIG. 7 is a bottom plan view thereof;
FIG. 8 is a top plan view thereof;
FIG. 9 is a partial enlarged view of the FIG. 1;
FIG. 10 is a partial enlarged view of the FIG. 8; and,
FIG. 11 is another partial enlarged view of the FIG. 8.
The broken lines depict portions of the UV sterilizer that form no part of the claim; the broken lines form no part of the claimed design.

1 Claim, 11 Drawing Sheets



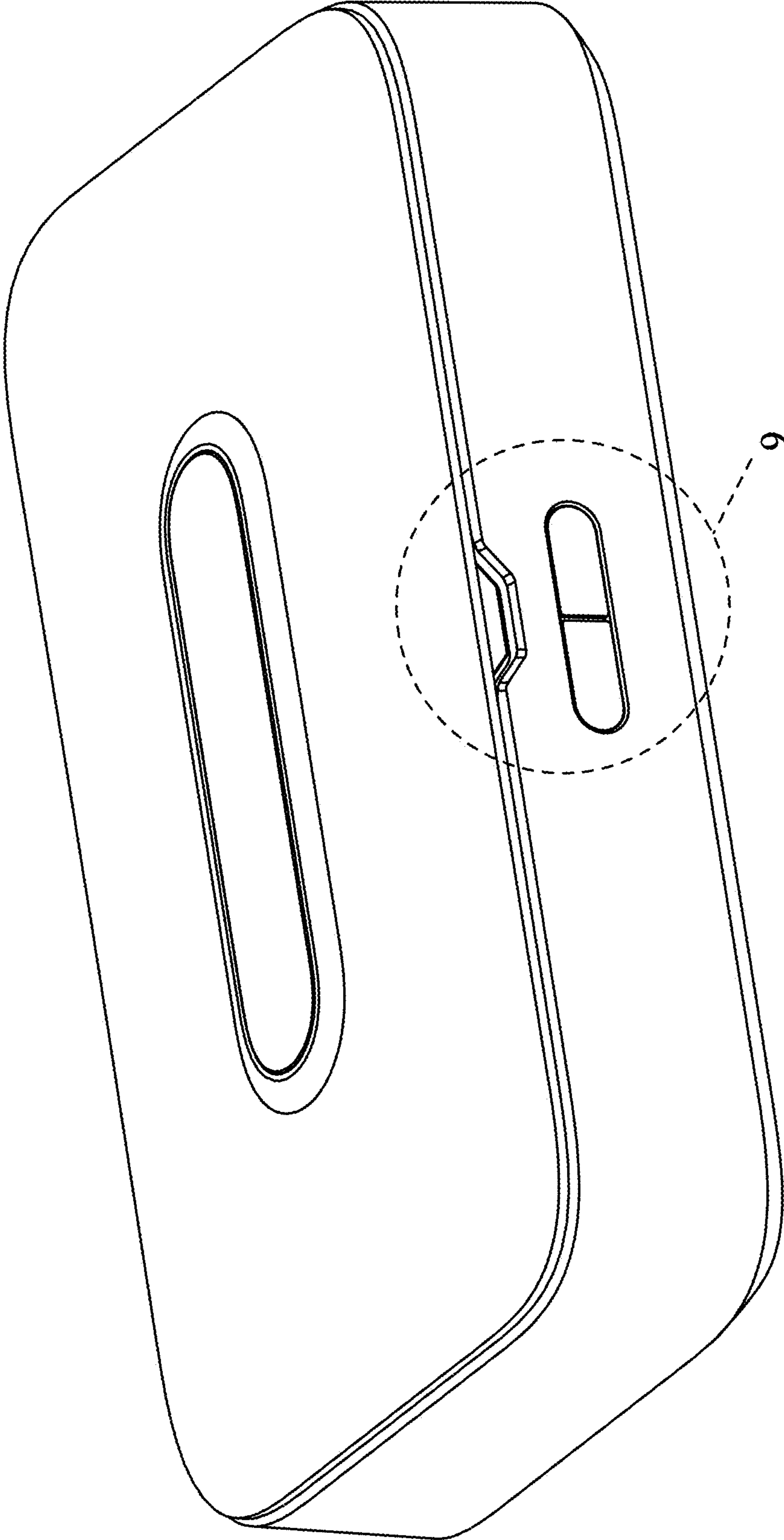


FIG.1

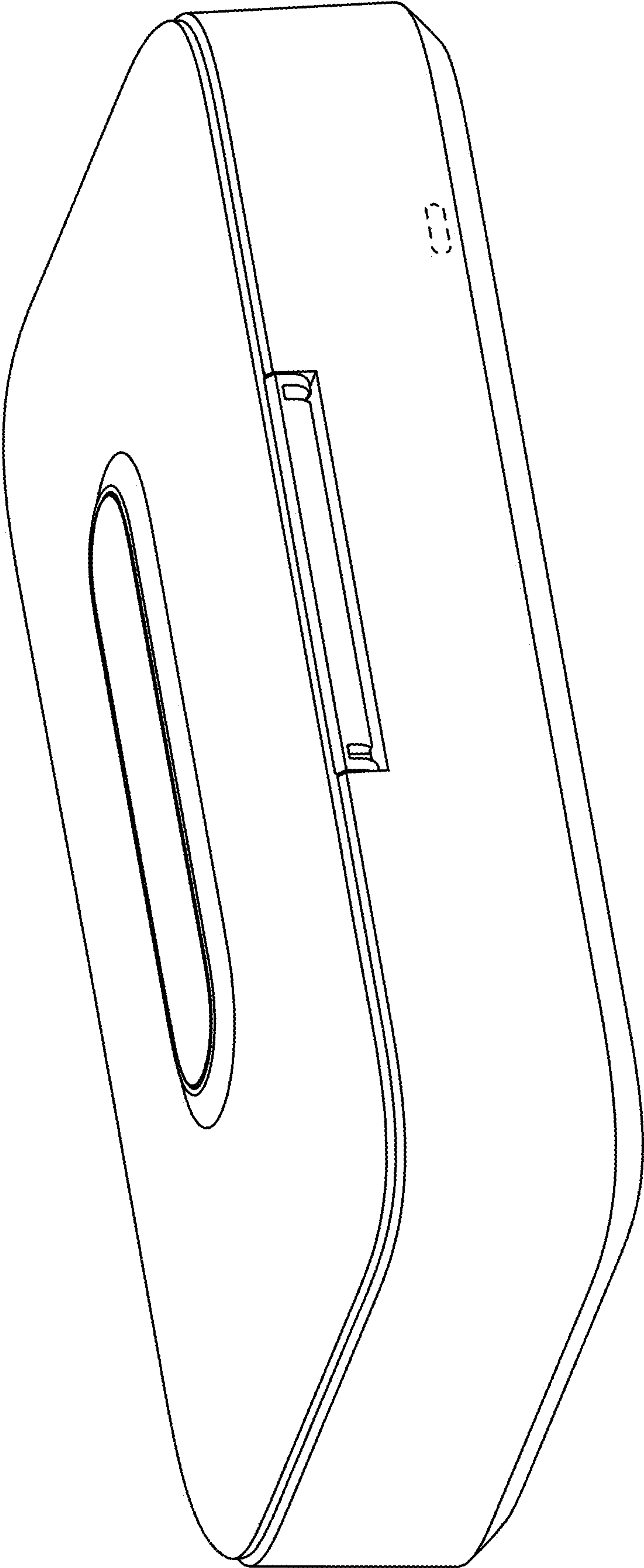


FIG.2

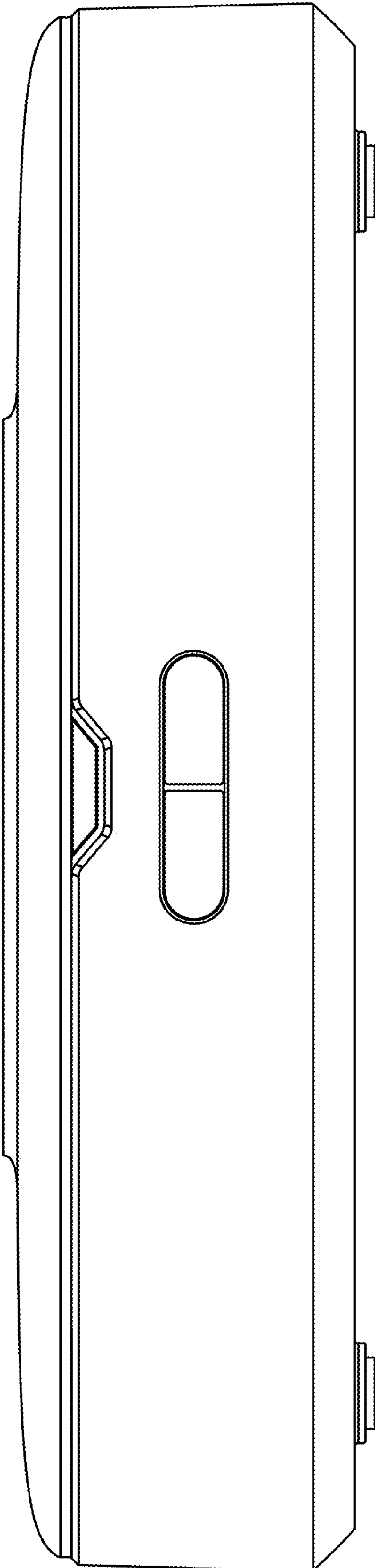


FIG.3

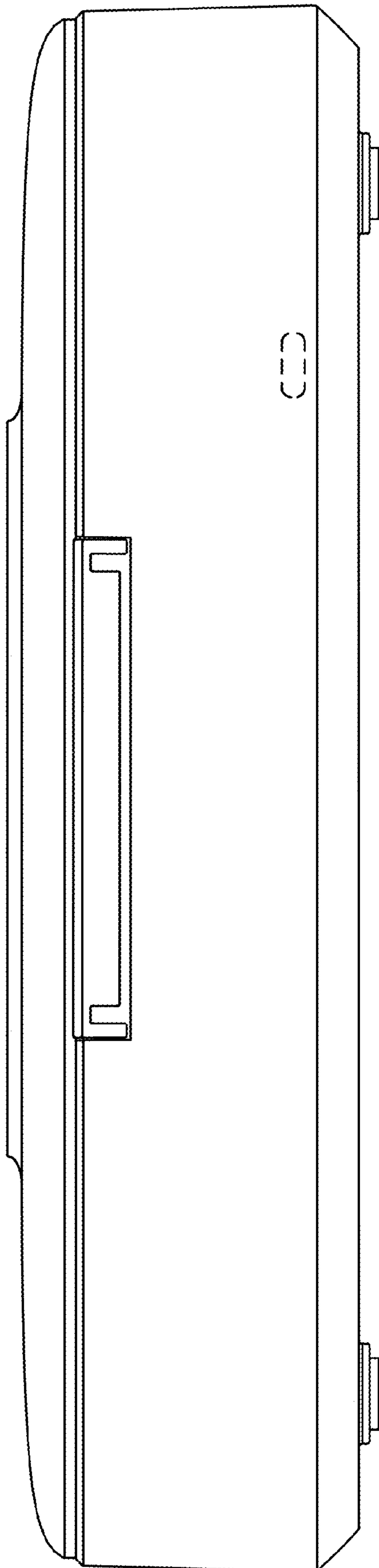


FIG.4

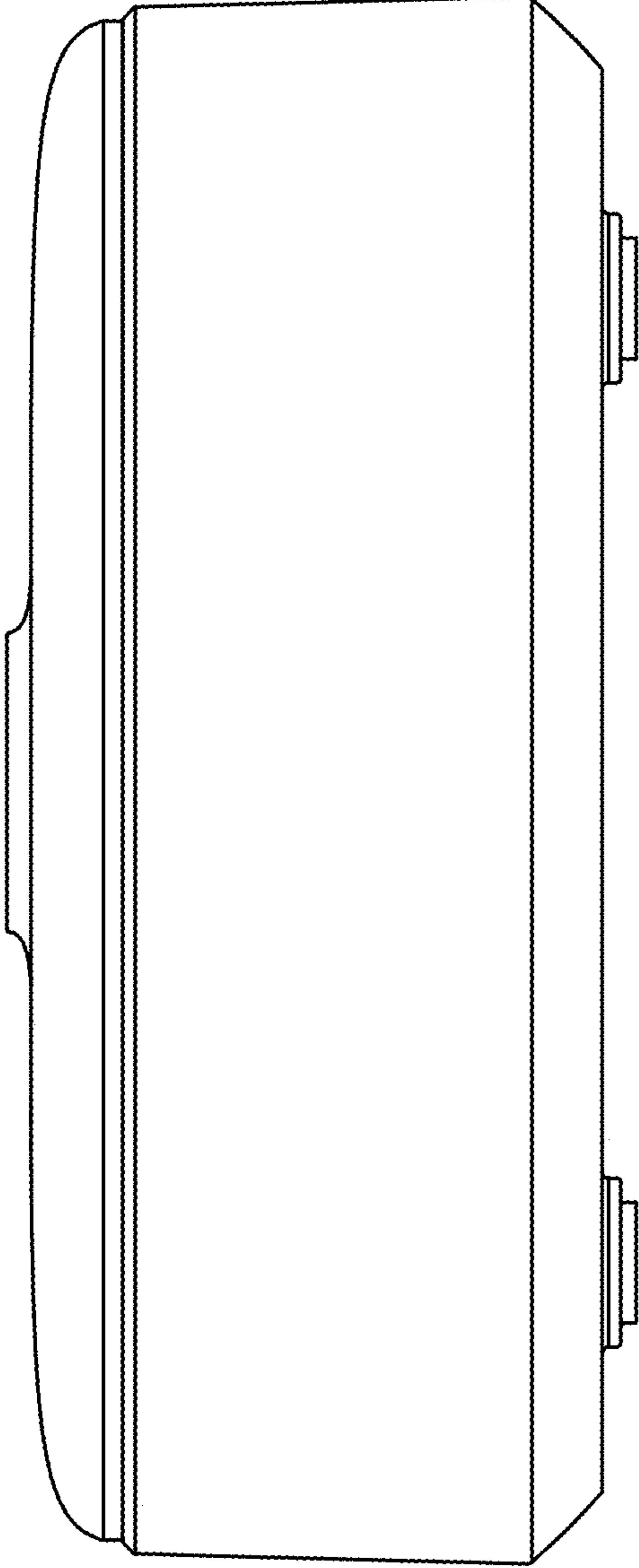


FIG.5

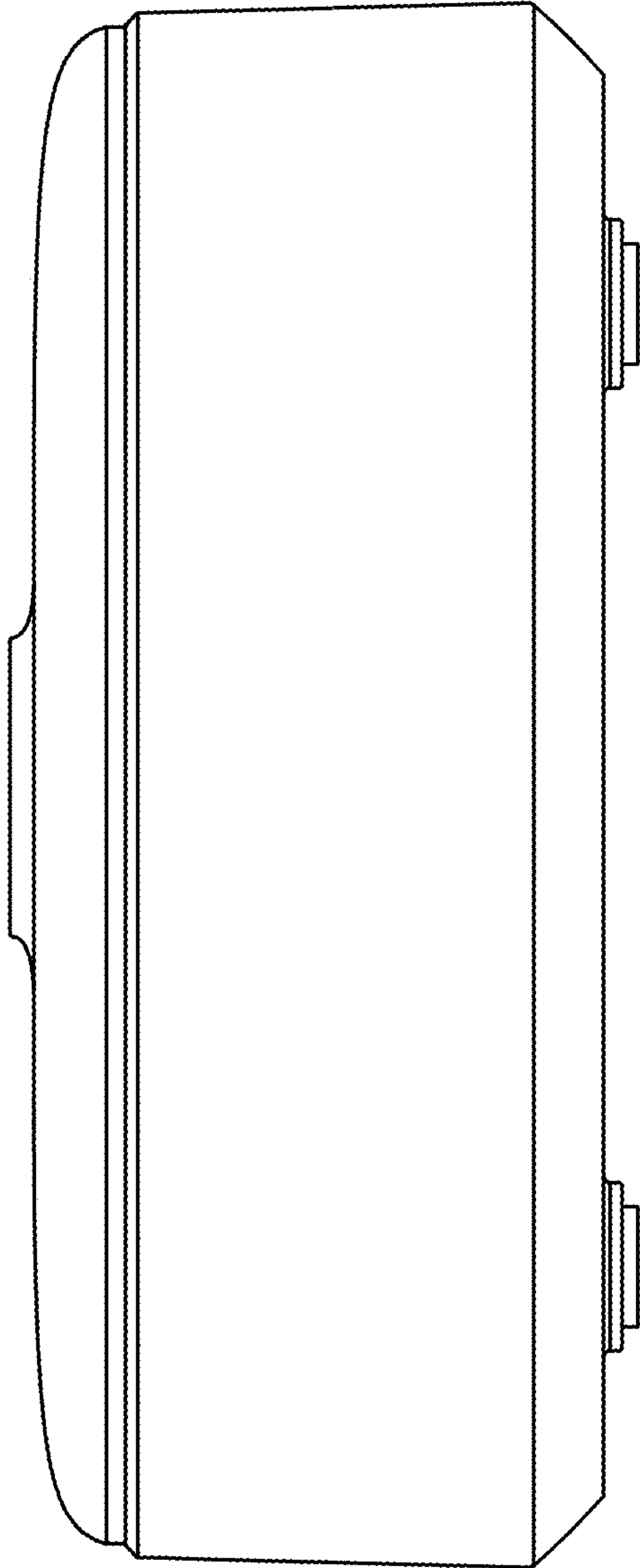


FIG.6

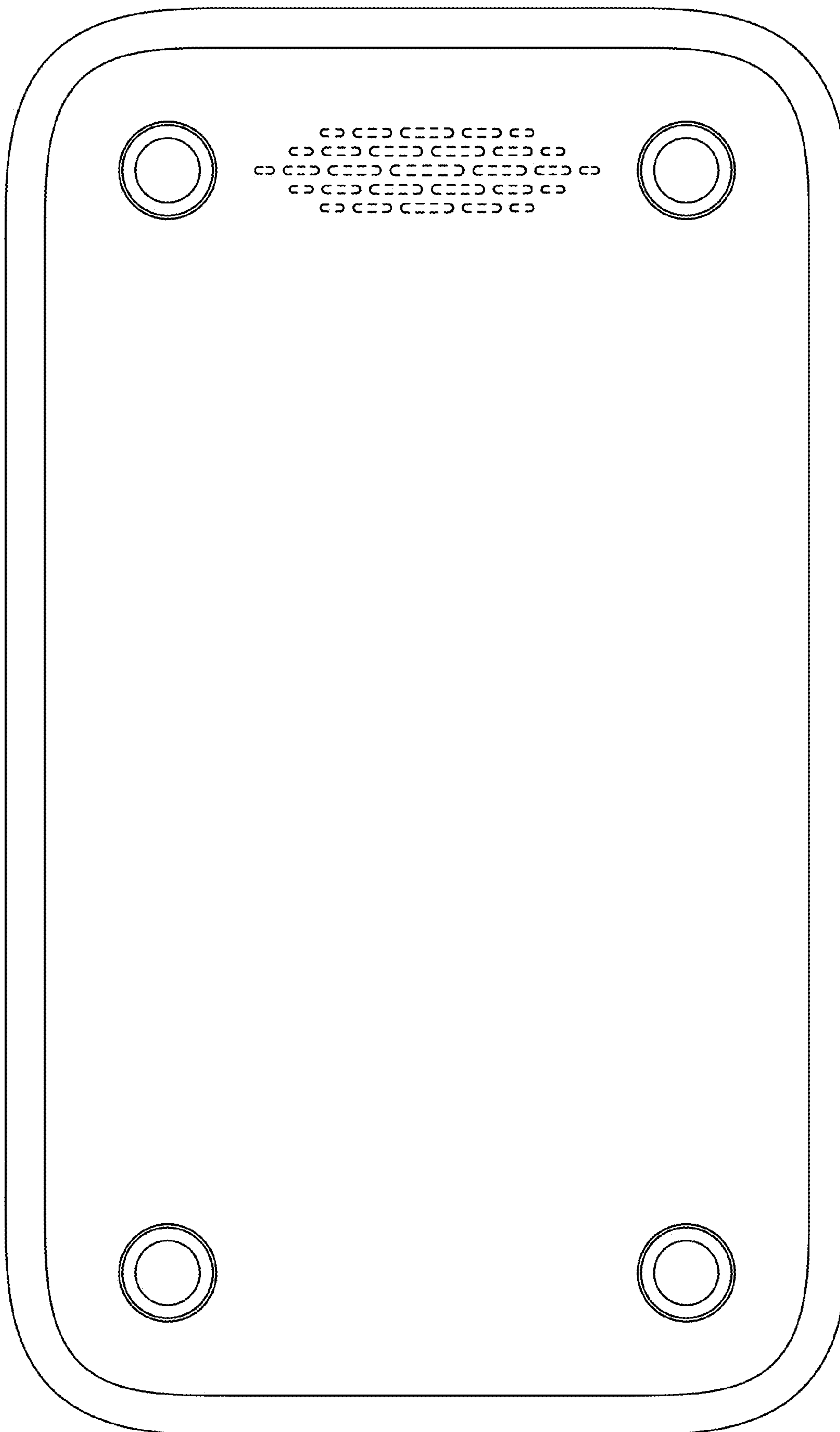


FIG. 7

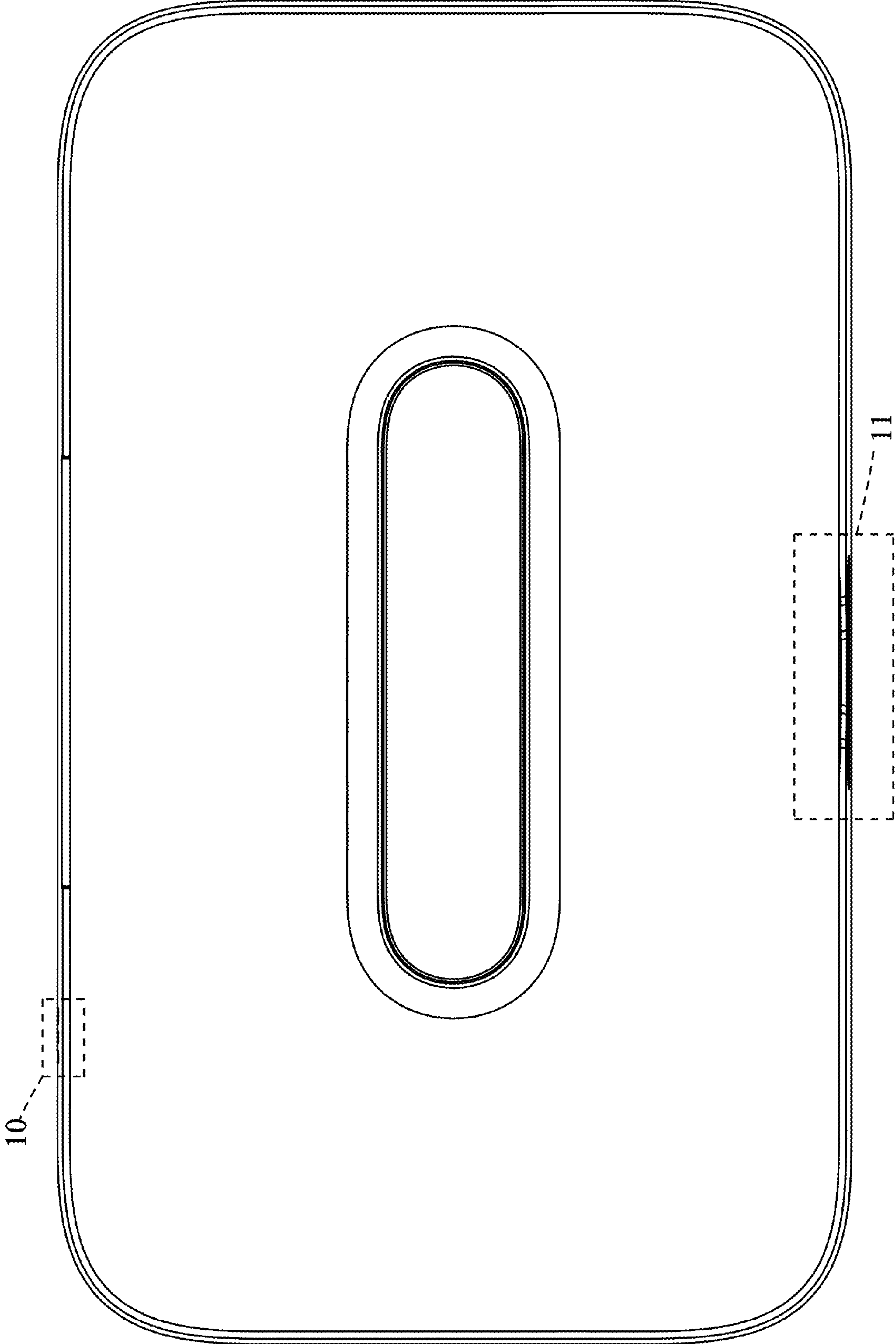


FIG.8

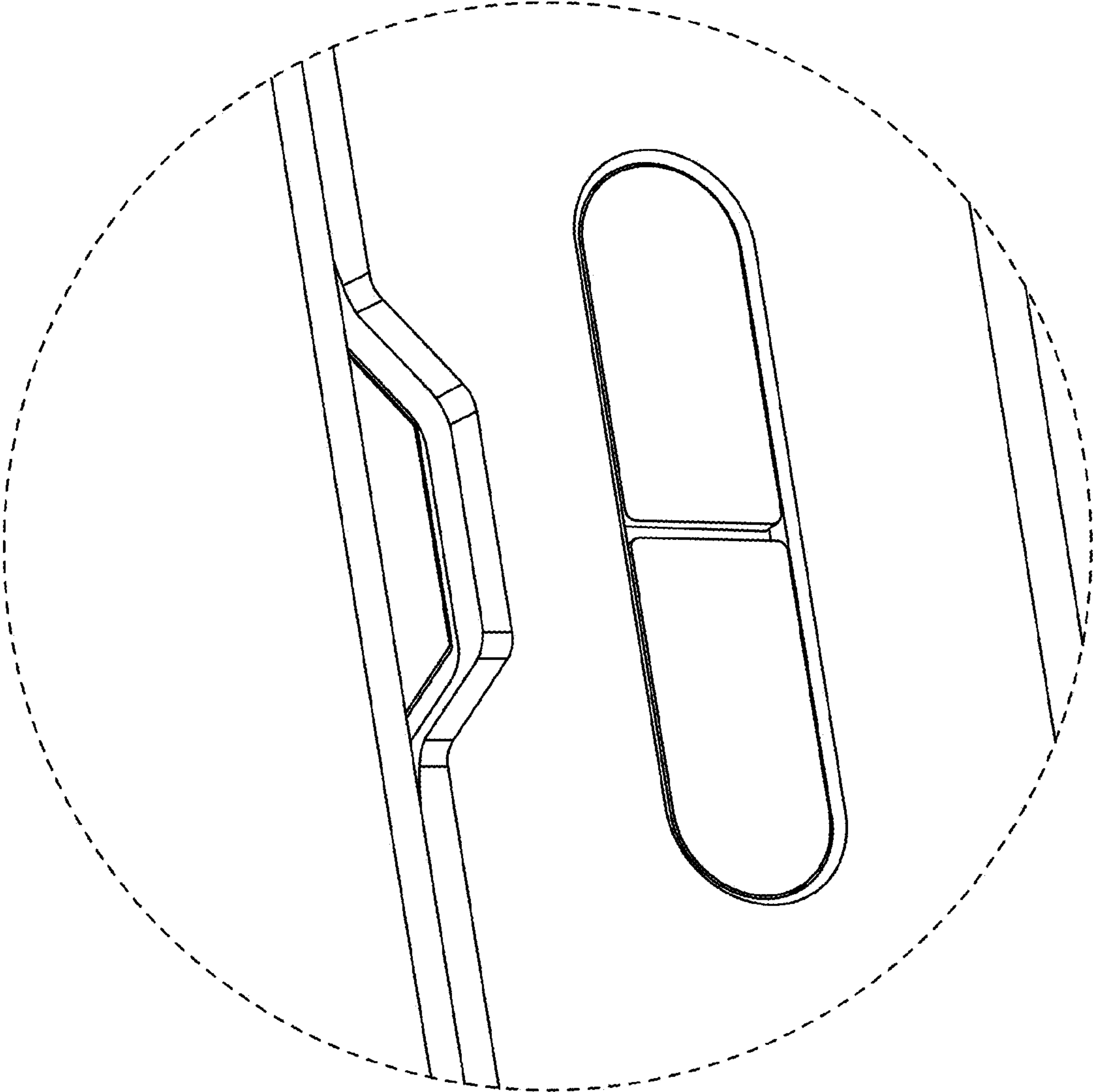


FIG.9

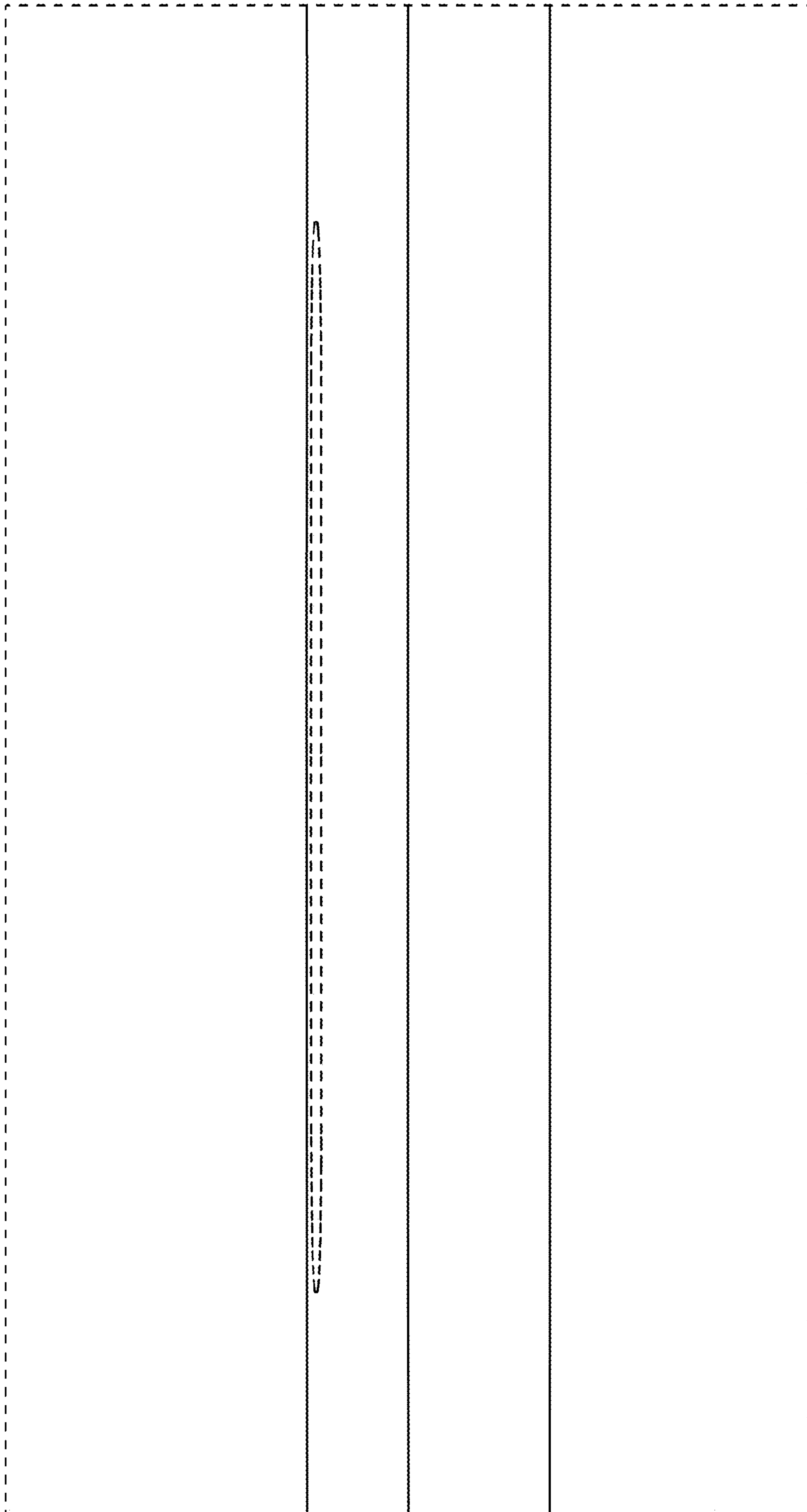


FIG. 10

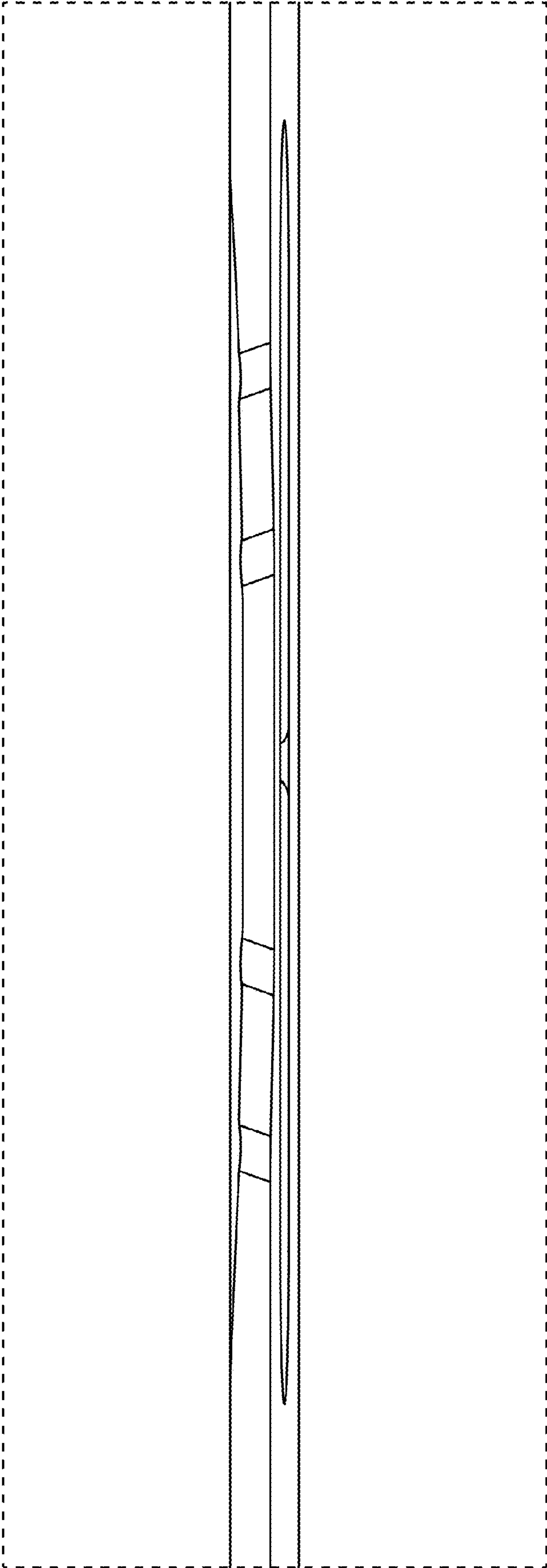


FIG.11