

US00D914228S

(12) **United States Design Patent** (10) **Patent No.:** **US D914,228 S**
Lin (45) **Date of Patent:** **** Mar. 23, 2021**

(54) **VIBRATOR**
(71) Applicant: **Huitang Lin**, Guangdong (CN)
(72) Inventor: **Huitang Lin**, Guangdong (CN)
(**) Term: **15 Years**
(21) Appl. No.: **29/731,679**
(22) Filed: **Apr. 17, 2020**

D601,700 S * 10/2009 Takashima D24/141
D608,890 S * 1/2010 Takashima D24/141
D610,683 S * 2/2010 Takashima D24/141
D620,601 S * 7/2010 TerMeer D24/215
D643,128 S * 8/2011 Mohamed D24/215
D652,943 S * 1/2012 Chong D24/215
D668,346 S * 10/2012 Zeng D24/215
D685,105 S * 6/2013 Marshall D24/215
D688,382 S * 8/2013 Marshall D24/215
D693,933 S * 11/2013 Tai D24/215
D694,417 S * 11/2013 Tai D24/215
D698,451 S * 1/2014 Tai D24/215

(Continued)

Related U.S. Application Data

(62) Division of application No. 29/716,400, filed on Dec. 10, 2019, now Pat. No. Des. 893,042.
(51) **LOC (13) Cl.** **28-03**
(52) **U.S. Cl.**
USPC **D24/215**
(58) **Field of Classification Search**
USPC D24/119, 133, 141, 172, 200, 211, 212,
D24/213, 214, 215
CPC A61H 19/34; A61H 19/40; A61H 21/00;
A61H 19/30; A61H 19/44; A61H 19/00;
A61H 2205/024
See application file for complete search history.

OTHER PUBLICATIONS

Amazon, "Master Series The Ram Glass Dildo", Oct. 11, 2015.
https://www.amazon.com/Master-Ram-Glass-Dildo-Inch/dp/B006WXF0FY/ref=cm_cr_arp_d_product_top?ie=UTF8. Shown on p. 1. (Year: 2015).*

Primary Examiner — Cynthia Ramirez
Assistant Examiner — Michael A Maharajh
(74) *Attorney, Agent, or Firm* — ZANIP

(57) **CLAIM**

The ornamental design for a vibrator, as shown and described.

(56) **References Cited**

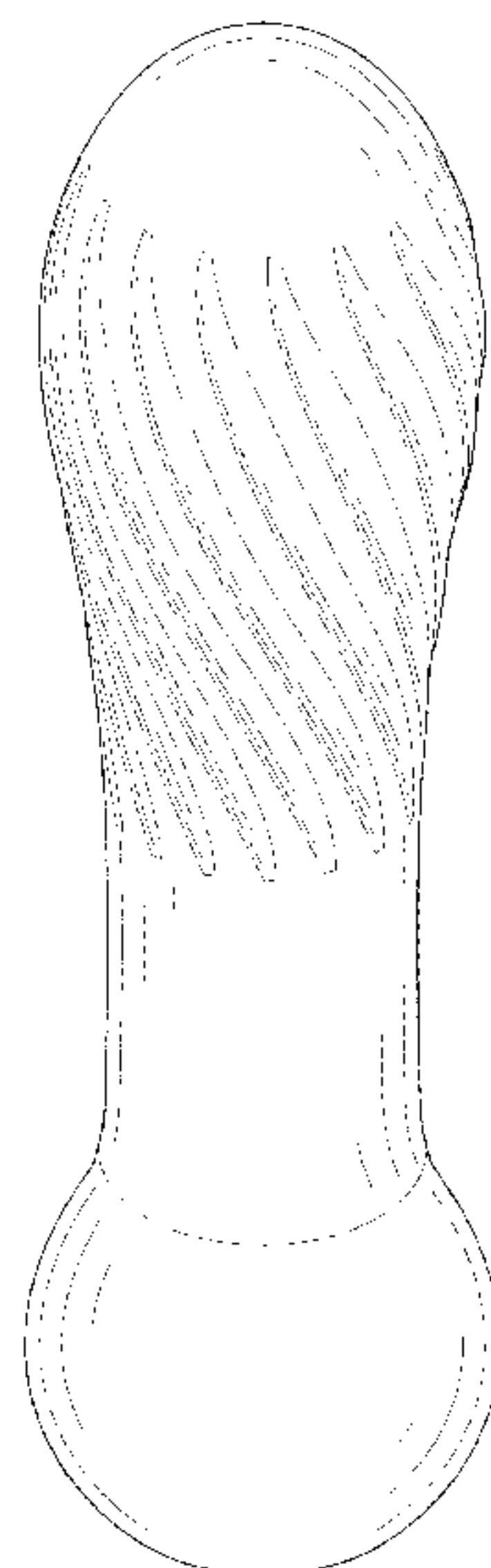
U.S. PATENT DOCUMENTS

D272,945 S * 3/1984 Suhel D24/214
D386,879 S * 11/1997 Daniels D24/214
D465,852 S * 11/2002 Bloch D24/211
D509,301 S * 9/2005 Talbot D24/215
D510,628 S * 10/2005 Talbot D24/214
D515,703 S * 2/2006 Nan D24/105
D529,620 S * 10/2006 Cooper D24/215
D530,020 S * 10/2006 Cooper D24/215
D530,822 S * 10/2006 Inubushi D24/214
D558,887 S * 1/2008 Nan D24/105
D559,992 S * 1/2008 Potter D24/214
D582,562 S * 12/2008 Nan D24/215
D595,409 S * 6/2009 Takashima D24/141
D601,252 S * 9/2009 Ra D24/133

DESCRIPTION

FIG. 1 is a front and top perspective view of a vibrator, showing my new design;
FIG. 2 is a back and bottom perspective view thereof;
FIG. 3 is a front view thereof;
FIG. 4 is a back view thereof;
FIG. 5 is a left side view thereof;
FIG. 6 is a right side view thereof;
FIG. 7 is a top view thereof; and,
FIG. 8 is a bottom view thereof.
The broken lines in the figures illustrate portions of the vibrator that form no part of the claimed design.

1 Claim, 8 Drawing Sheets



(56)

References Cited

U.S. PATENT DOCUMENTS

D704,345	S *	5/2014	Tai	D24/215
D719,665	S *	12/2014	Callow	D24/214
D733,903	S *	7/2015	Tong	D24/215
D750,797	S *	3/2016	Mannheim	D24/215
D760,914	S *	7/2016	Hutchinson	D24/215
D810,313	S *	2/2018	Cheung	D24/215
D822,201	S *	7/2018	Decker	D24/119
D827,135	S *	8/2018	Sedic	D24/141
D827,849	S *	9/2018	Marshall	D24/215
D852,973	S *	7/2019	Yueh	D24/215
D861,186	S *	9/2019	Matsuura	D24/215
D868,987	S *	12/2019	Cheung	D24/215
D874,673	S *	2/2020	Cheung	D24/215
D874,676	S *	2/2020	Song	D24/215
D886,319	S *	6/2020	Sugimoto	D24/215
D890,944	S *	7/2020	Tsang	D24/215
D893,042	S *	8/2020	Lin	D24/215
D905,233	S *	12/2020	Clute	D24/119
D905,265	S *	12/2020	Tsang	D24/215
2004/0158182	A1 *	8/2004	Takashima	A61H 21/00 601/135
2005/0203449	A1 *	9/2005	Takashima	A61H 21/00 601/135
2005/0209540	A1 *	9/2005	Takashima	A61H 21/00 601/135
2013/0116501	A1 *	5/2013	Lee	A61H 19/44 600/38

* cited by examiner

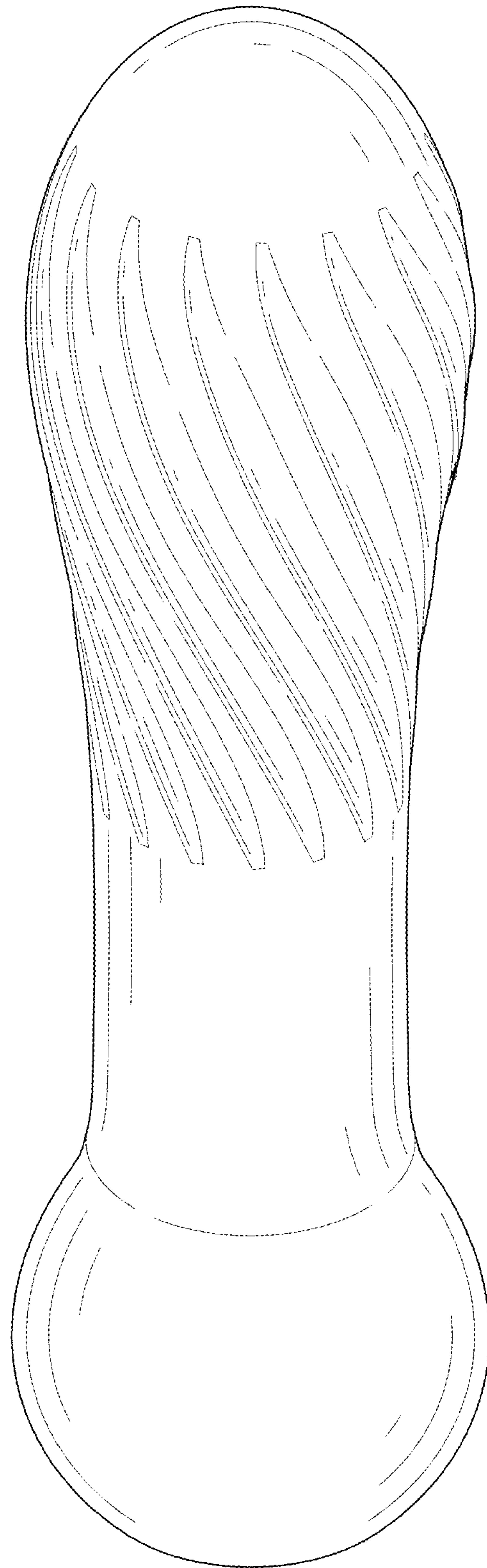


FIG. 1

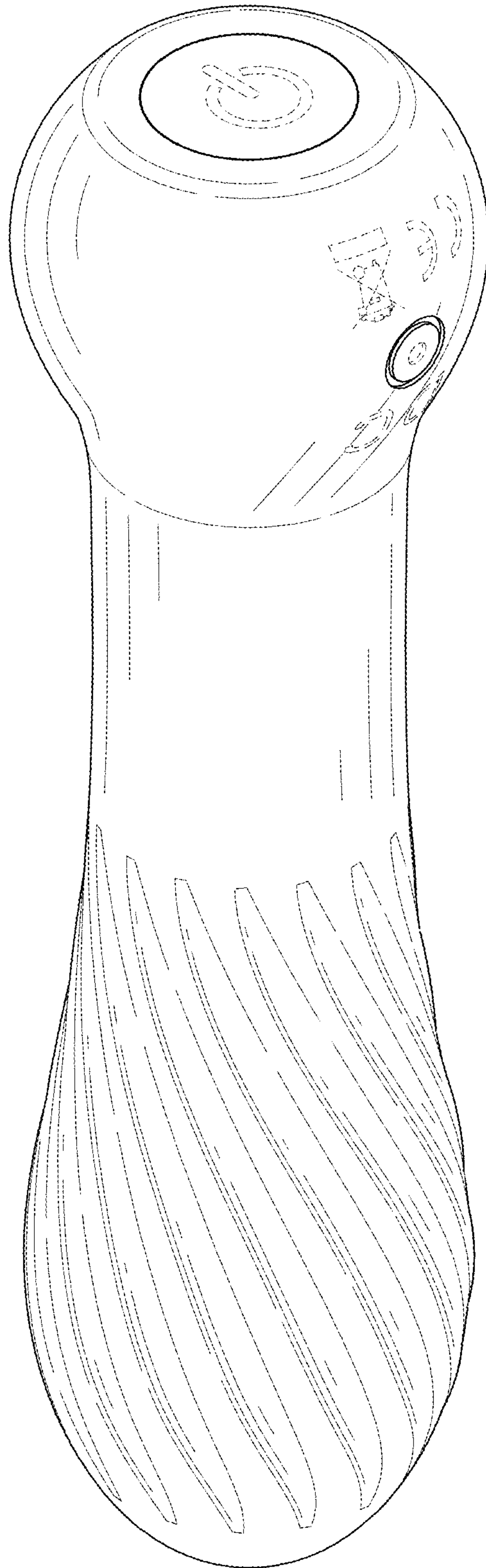


FIG. 2

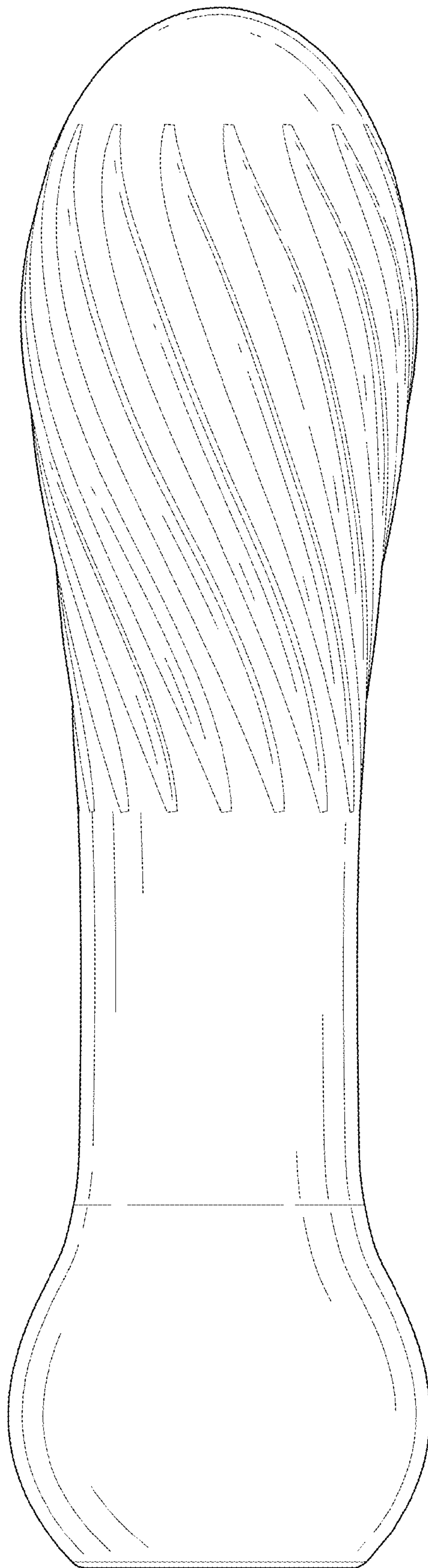


FIG. 3

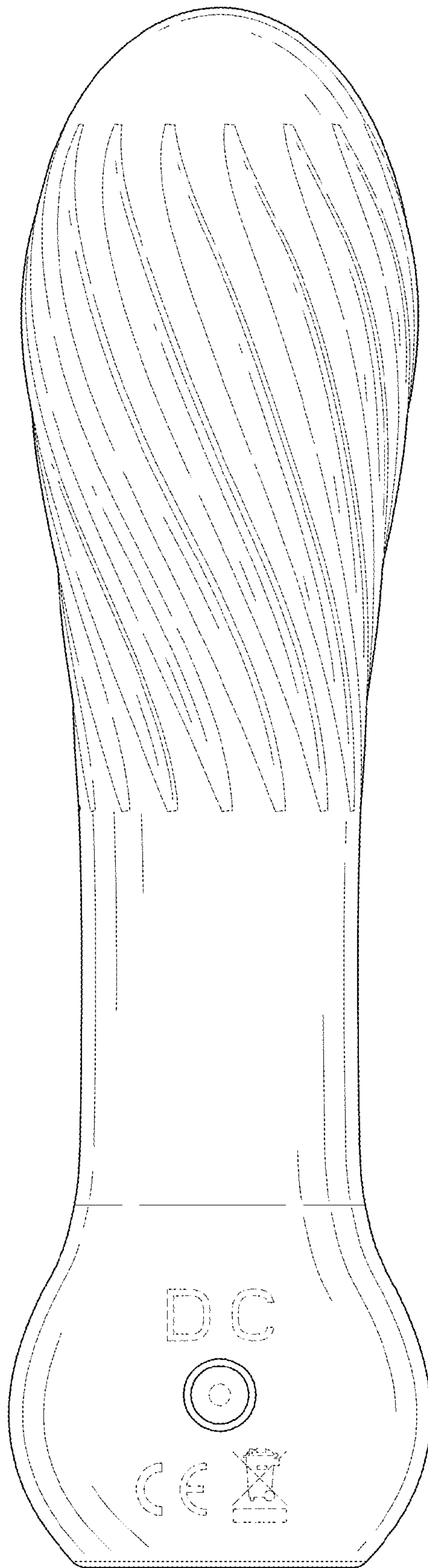


FIG. 4

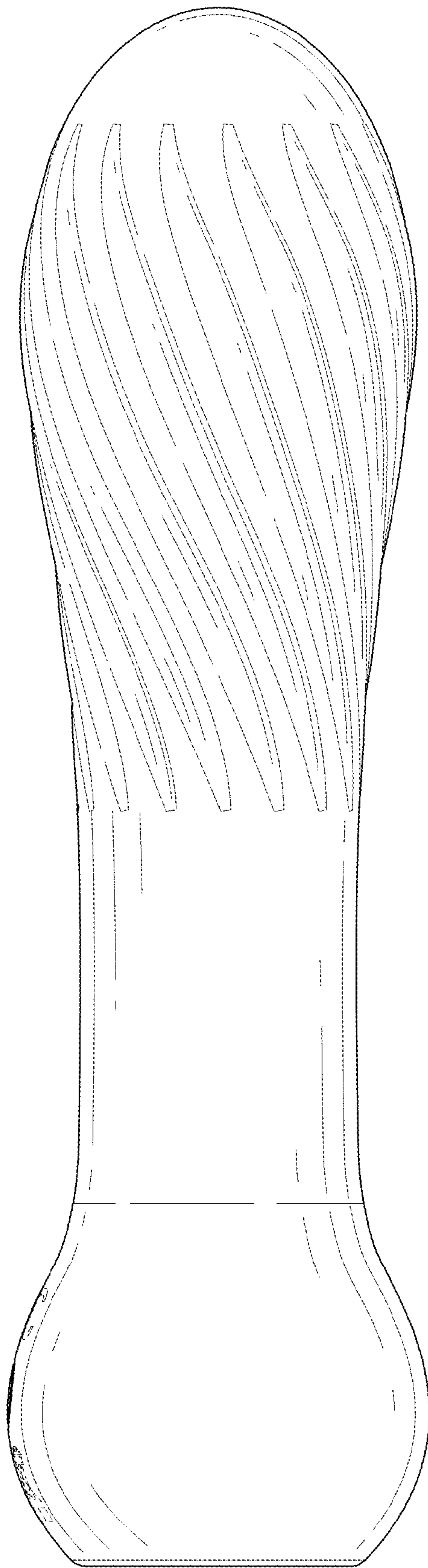


FIG. 5

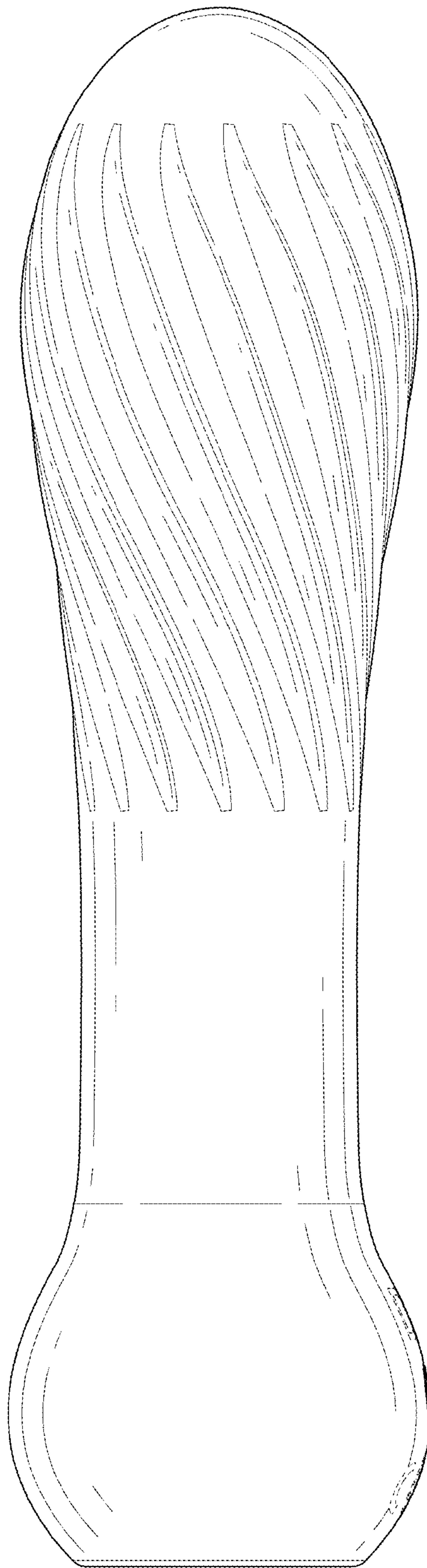


FIG. 6

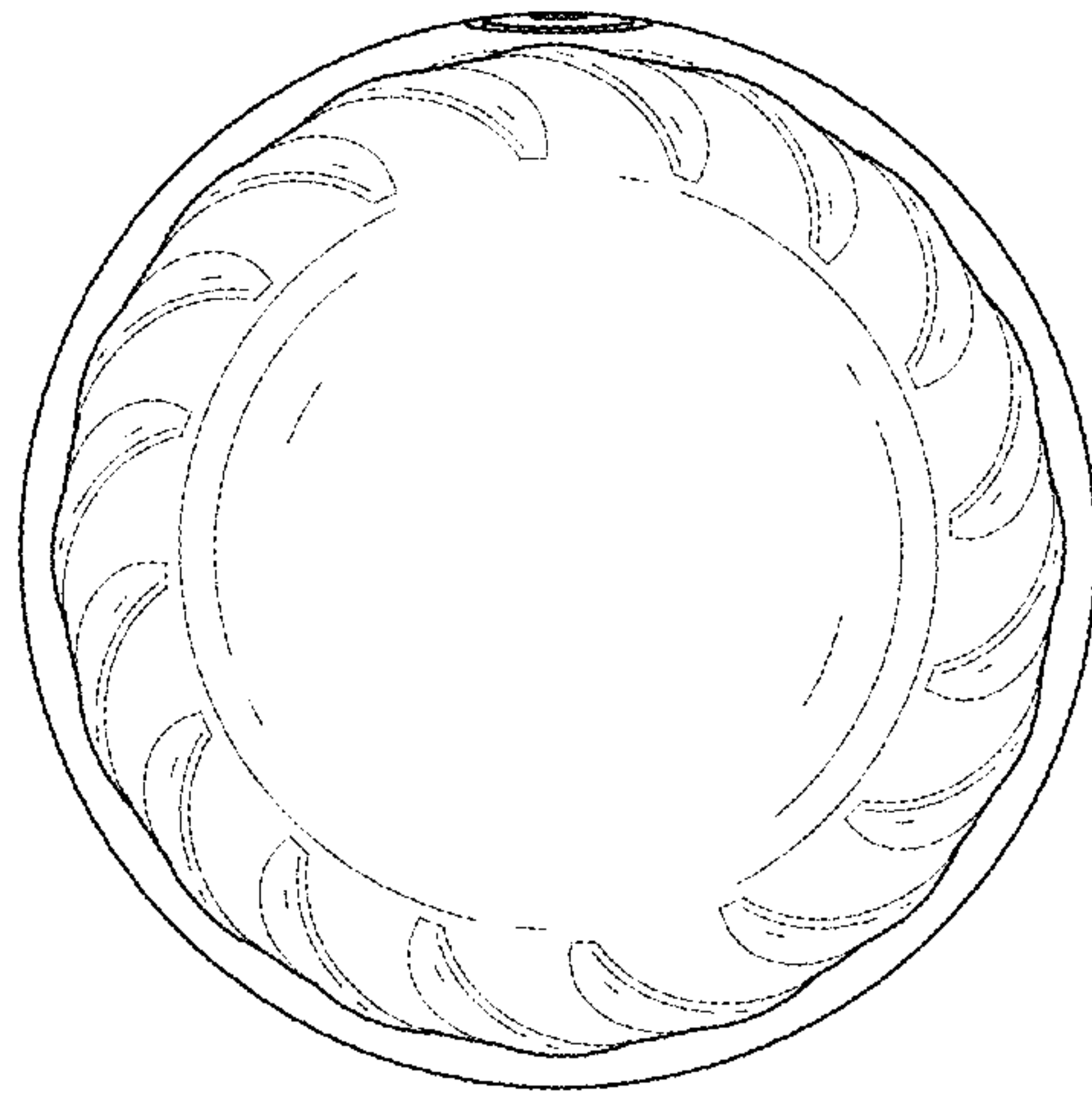


FIG. 7

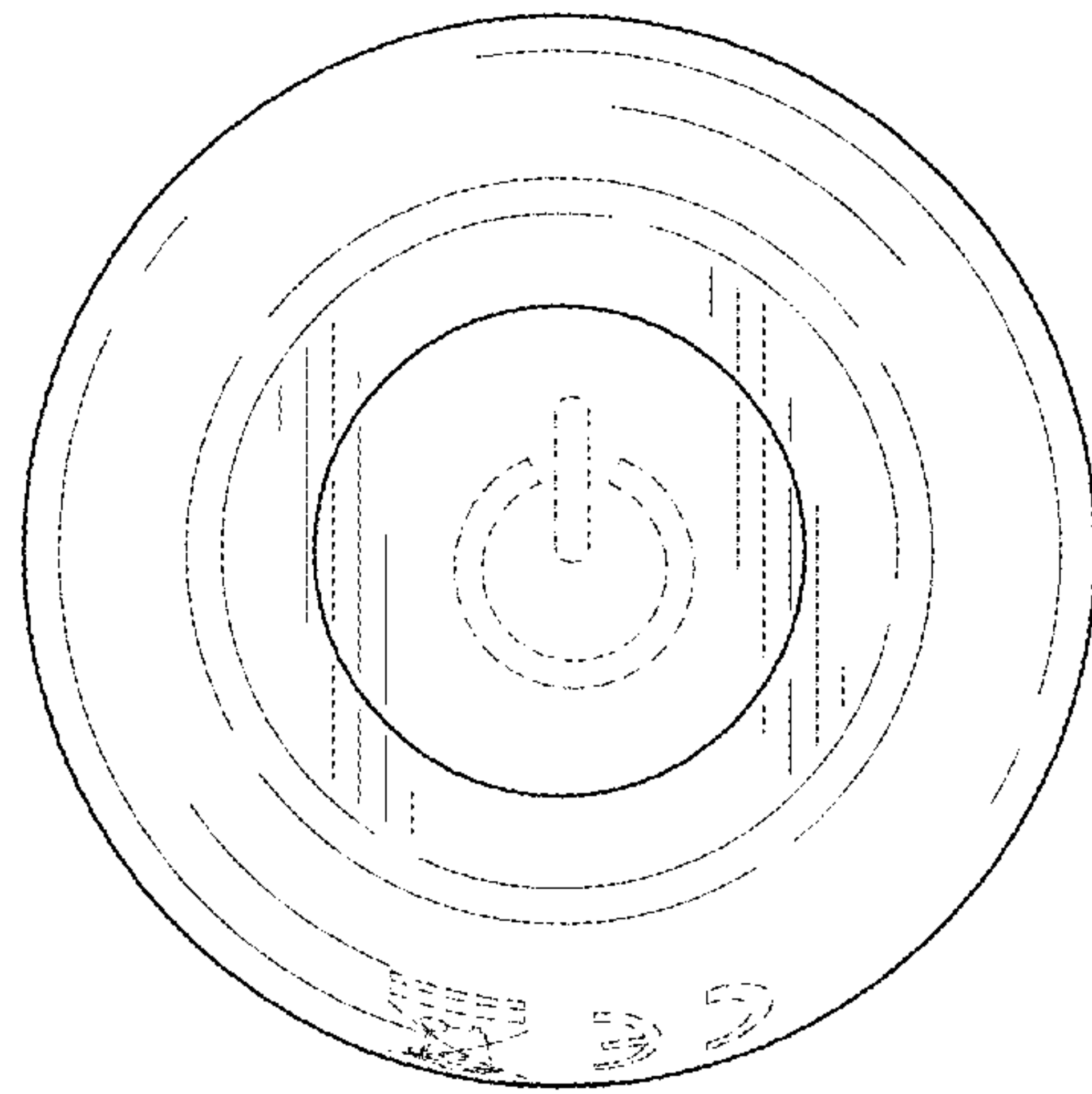


FIG. 8