



US00D914224S

(12) **United States Design Patent**
Wang

(10) **Patent No.:** **US D914,224 S**
(45) **Date of Patent:** **** Mar. 23, 2021**

(54) **WAX WARMER**

(71) Applicant: **Weiyue Wang**, Guangdong (CN)

(72) Inventor: **Weiyue Wang**, Guangdong (CN)

(**) Term: **15 Years**

(21) Appl. No.: **29/745,728**

(22) Filed: **Aug. 7, 2020**

(51) **LOC (13) Cl.** **28-03**

(52) **U.S. Cl.**

USPC **D24/200**

(58) **Field of Classification Search**

USPC D24/200, 204; D7/538, 629; D9/424, D9/428

CPC A61F 7/00; A61F 7/007; A61F 7/0085; A61F 2007/0001; A61F 2007/0004; A61F 2007/0014; A61F 2007/0015; A61F 2007/0024; A61F 2007/0029; A61F 2007/0039; H05B 3/00; H05B 3/0052; H05B 3/26; A47J 27/004; A47J 36/06; A61L 9/12; A61L 9/03; F27B 14/12

See application file for complete search history.

(56) **References Cited**

U.S. PATENT DOCUMENTS

5,107,832 A * 4/1992 Guibert A61F 7/00 607/96
D440,662 S * 4/2001 Ferber D24/200
D441,455 S * 5/2001 Feer D24/200
D442,284 S * 5/2001 Ferber D24/200

D455,214 S * 4/2002 Ferber D24/204
8,084,718 B1 * 12/2011 Shotey A61F 7/0085 219/428
10,086,102 B2 * 10/2018 Belongia A61L 9/03
D838,859 S * 1/2019 Yu D24/200
10,363,333 B2 * 7/2019 Belongia A61L 9/03
D857,215 S 8/2019 Lin
D887,568 S 6/2020 Lin
2017/0238364 A1 * 8/2017 Belongia A61L 9/03 219/422

* cited by examiner

Primary Examiner — Wan Laymon

(74) *Attorney, Agent, or Firm* — ScienBiziP, P.C.

(57) **CLAIM**

The ornamental design for a wax warmer, as shown and described.

DESCRIPTION

FIG. 1 is a front and top perspective view of a wax warmer, showing my design.

FIG. 2 is a front and bottom perspective view thereof.

FIG. 3 is a front elevation view thereof.

FIG. 4 is a rear elevation view thereof.

FIG. 5 is a left side elevation view thereof.

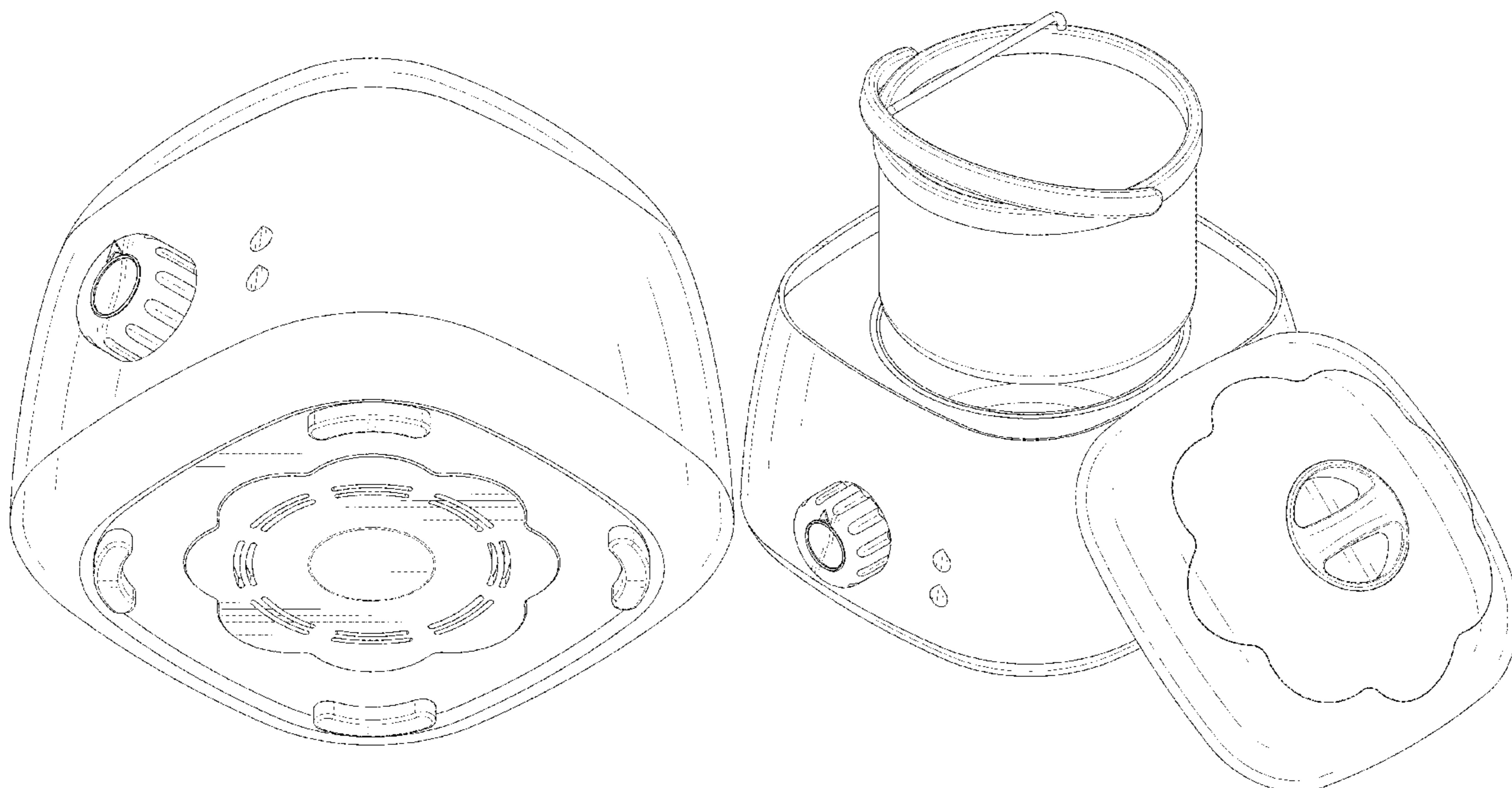
FIG. 6 is a right side elevation view thereof.

FIG. 7 is a top plan view thereof.

FIG. 8 is a bottom plan view thereof; and,

FIG. 9 is a perspective view of the of the wax warmer of FIG. 1 wherein a cover of the wax warmer is open and an inner container of the wax warmer is taken out from the wax warmer.

1 Claim, 9 Drawing Sheets



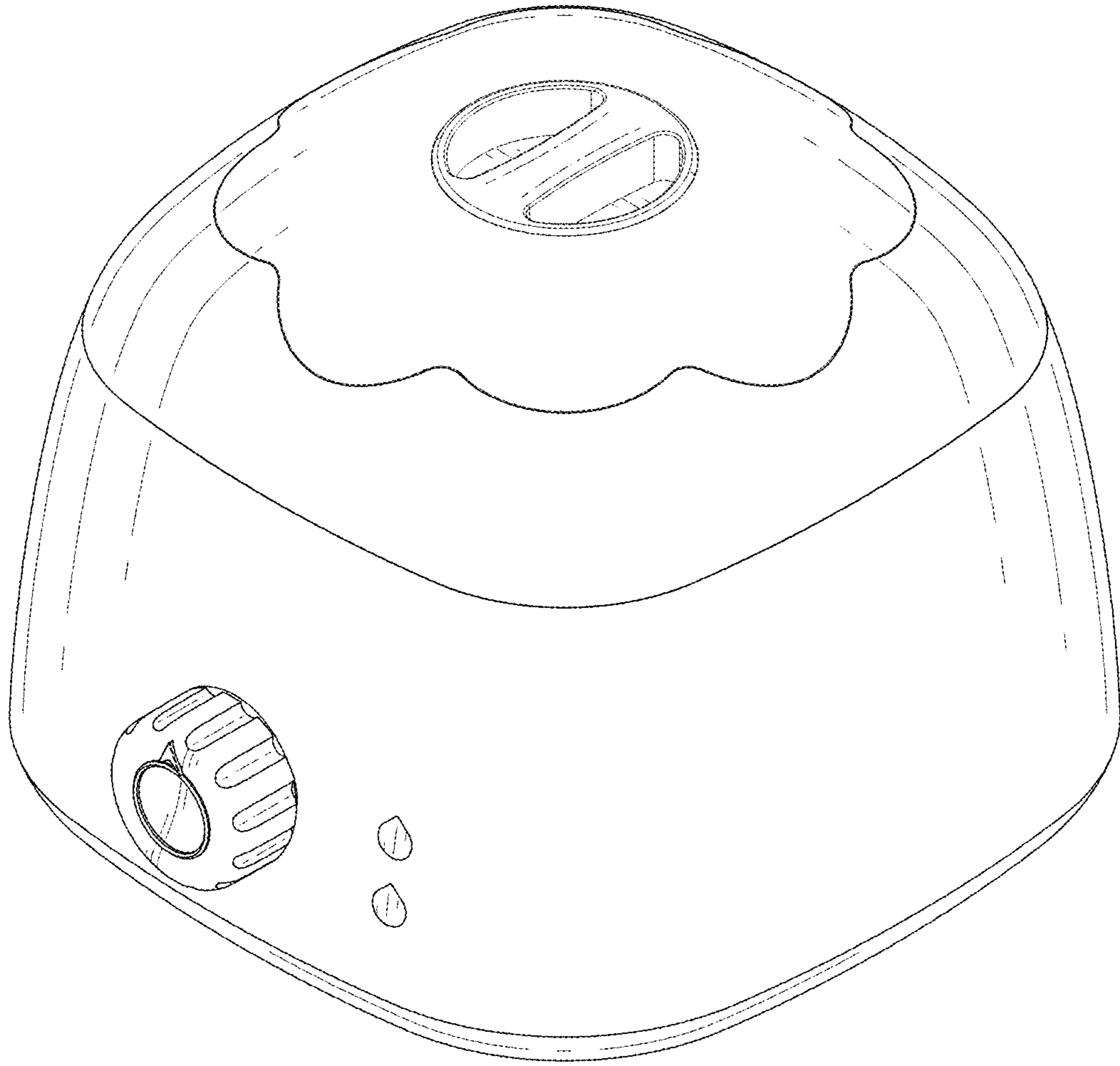


FIG.1

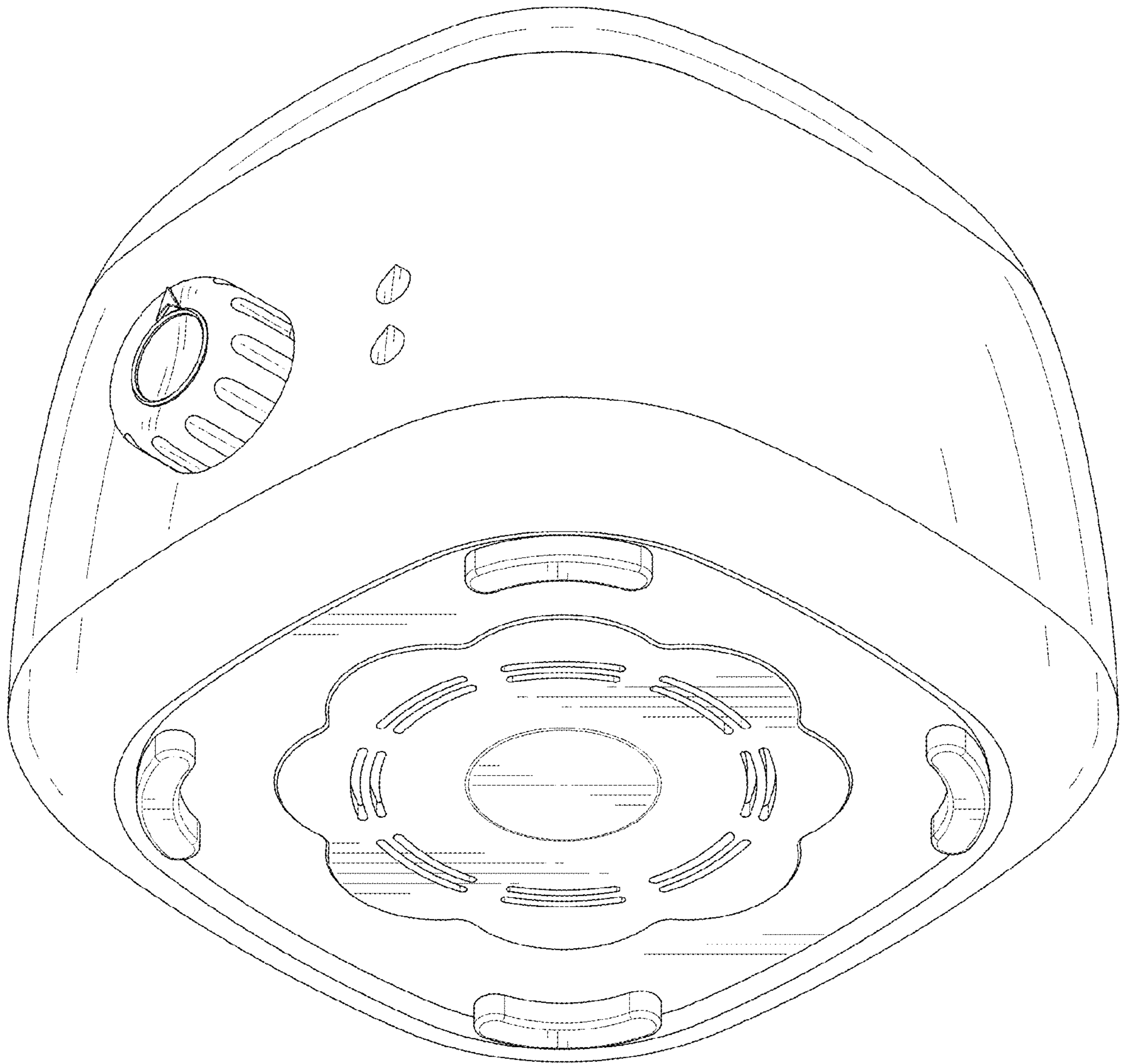


FIG.2

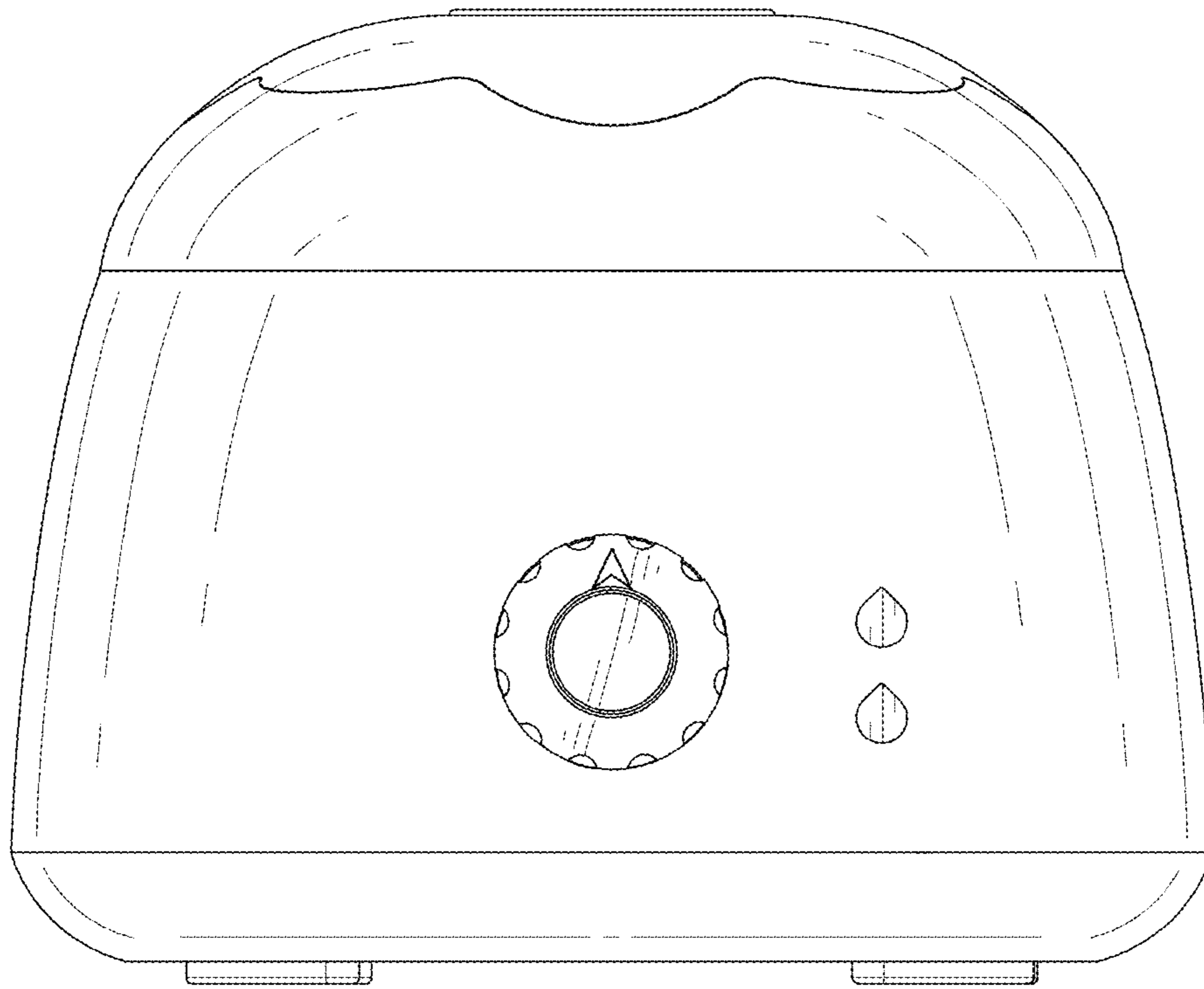


FIG.3

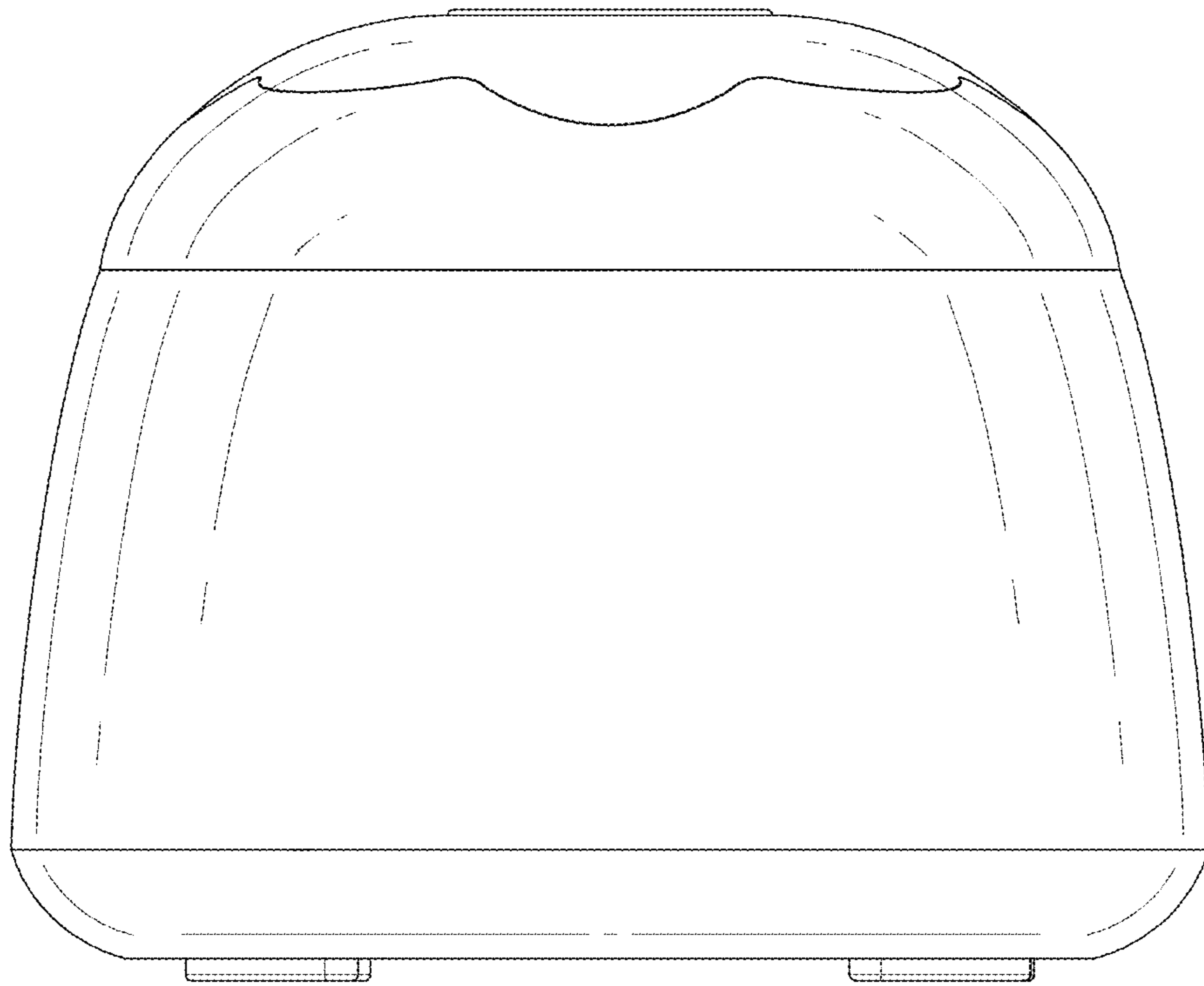


FIG.4

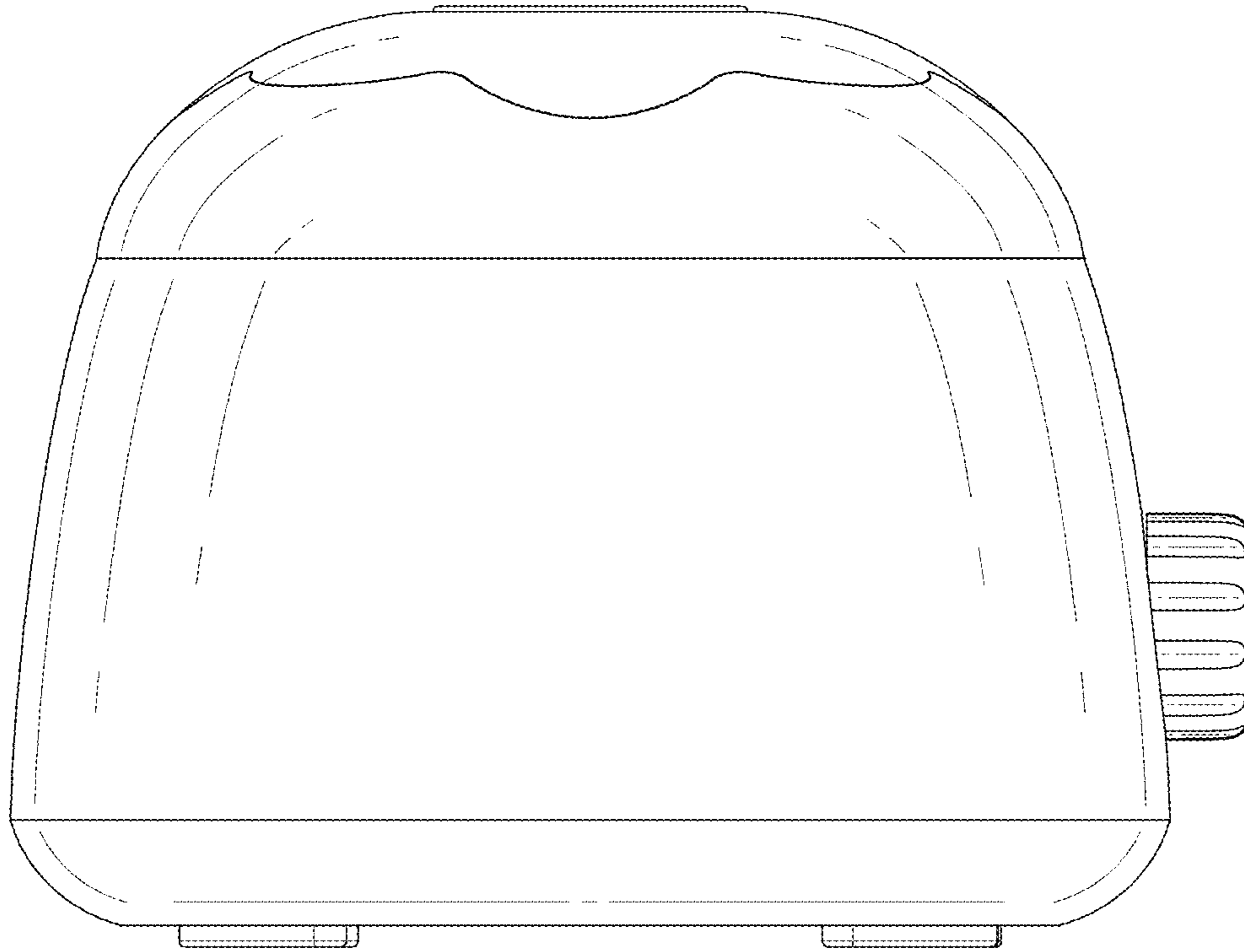


FIG.5

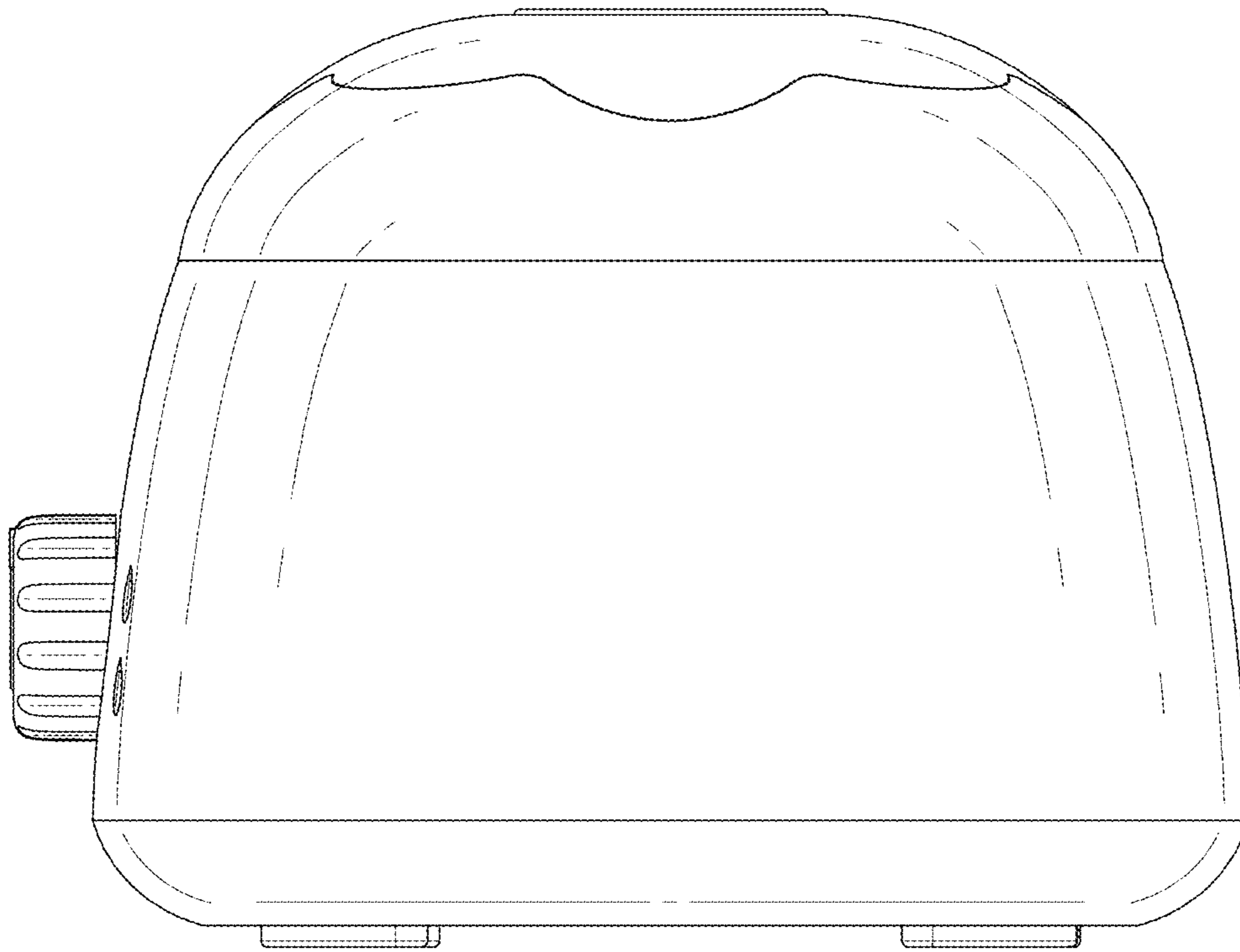


FIG.6

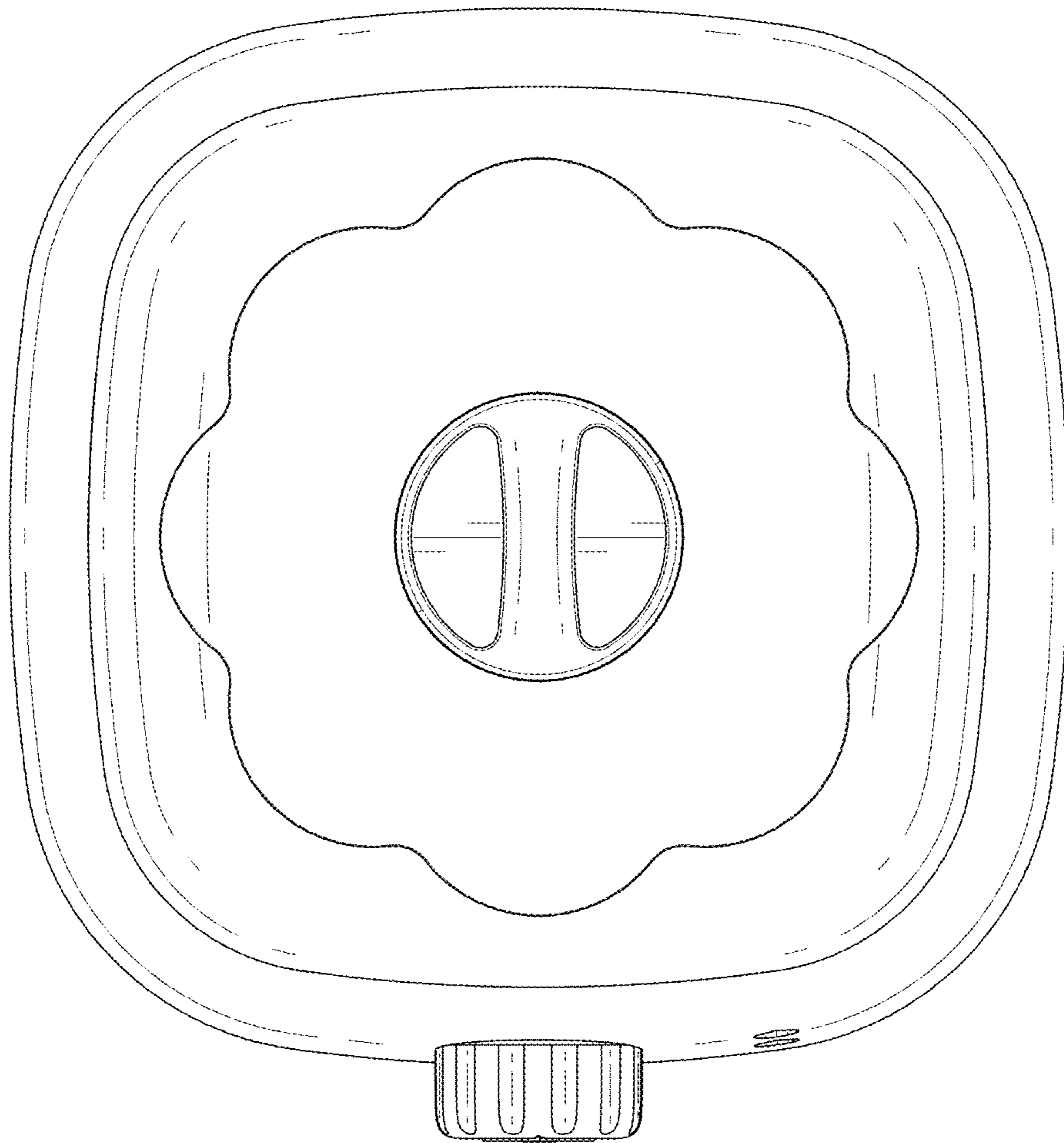


FIG.7

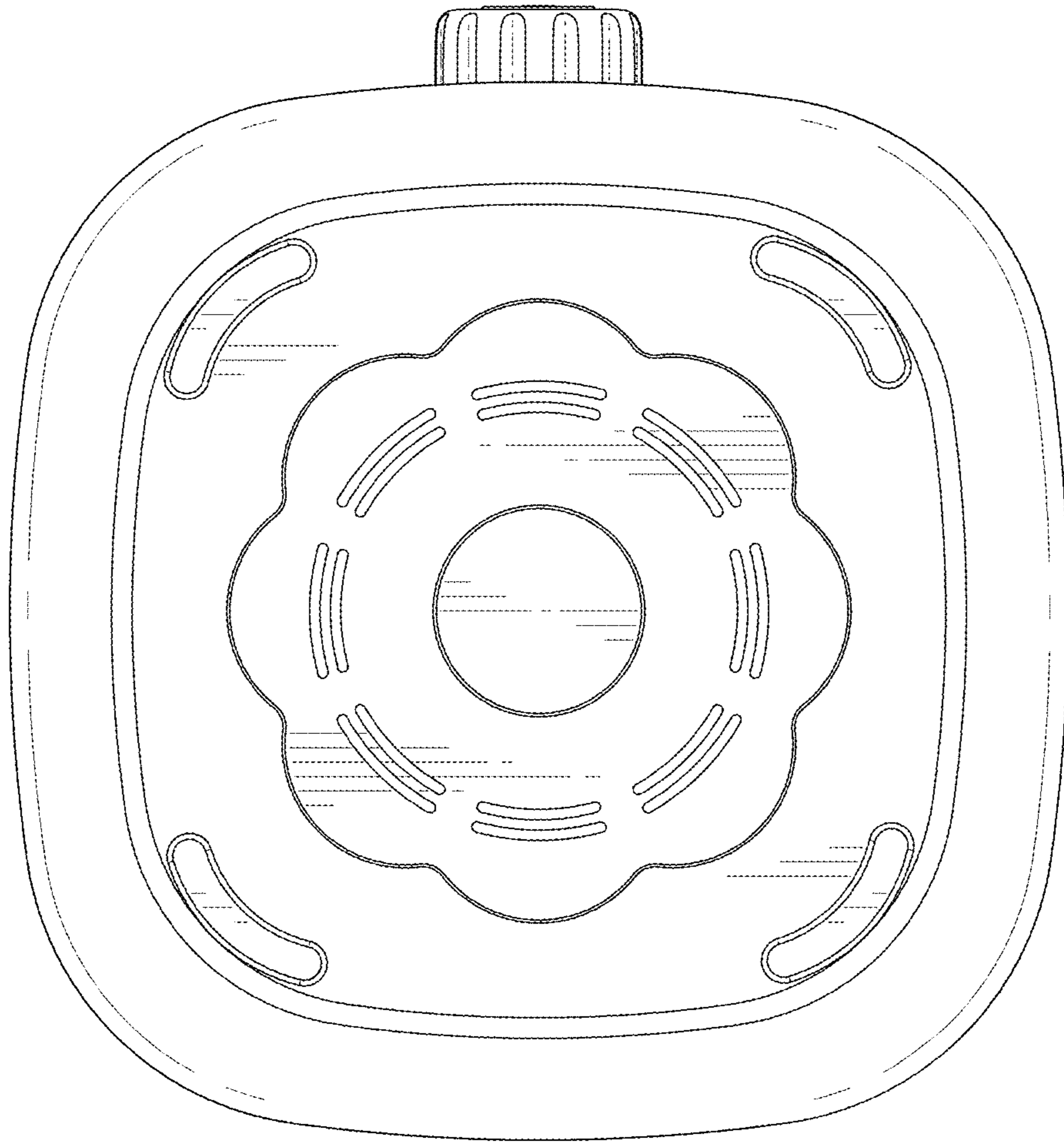


FIG.8

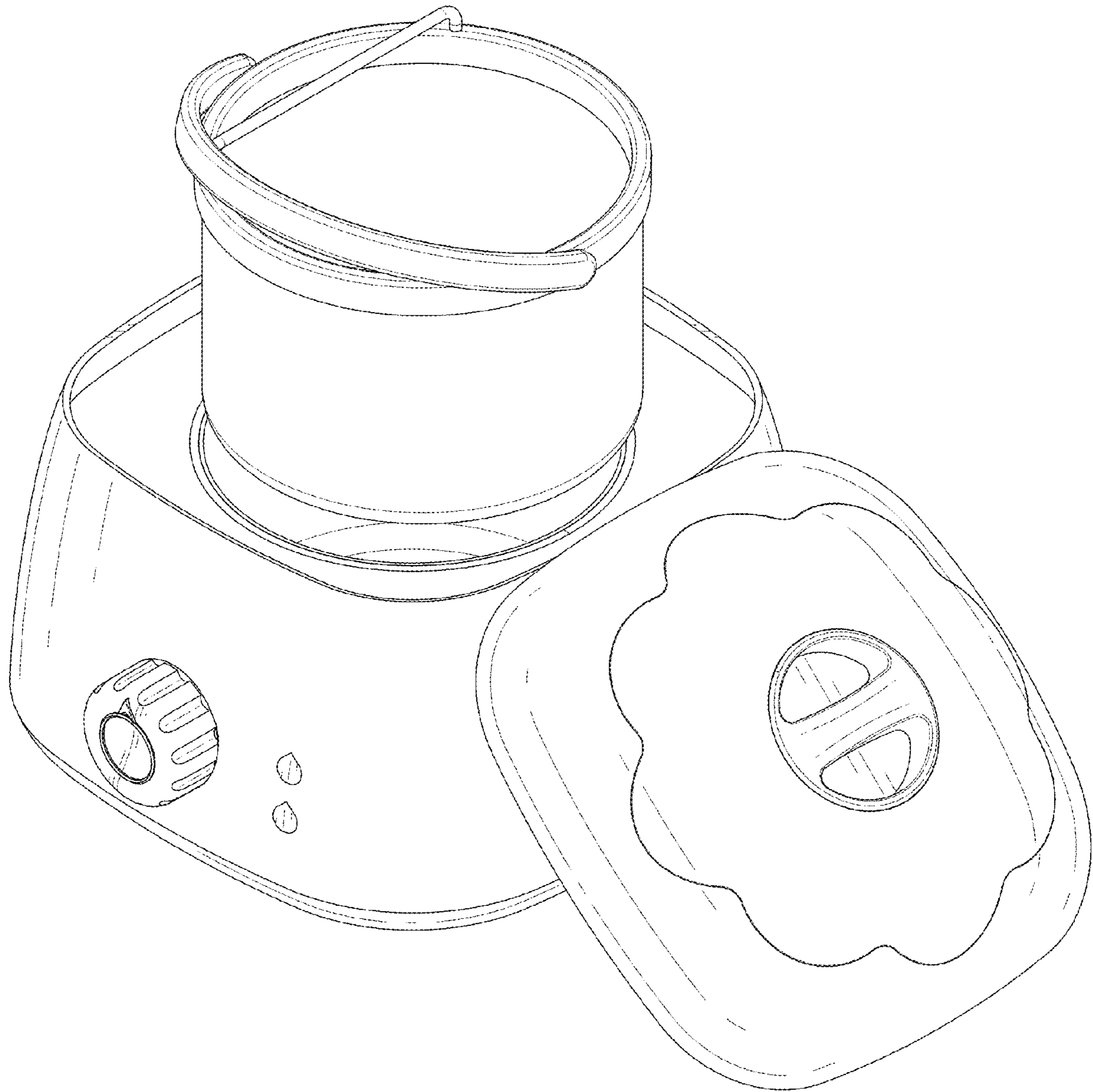


FIG.9