



US00D914223S

(12) **United States Design Patent**  
**Wang**

(10) **Patent No.:** **US D914,223 S**  
(45) **Date of Patent:** **\*\* Mar. 23, 2021**

- (54) **BODY WAXING TOOL**
- (71) Applicant: **Weiyue Wang**, Guangdong (CN)
- (72) Inventor: **Weiyue Wang**, Guangdong (CN)
- (\*\*) Term: **15 Years**
- (21) Appl. No.: **29/741,730**
- (22) Filed: **Jul. 15, 2020**
- (51) **LOC (13) Cl.** ..... **28-03**
- (52) **U.S. Cl.**  
USPC ..... **D24/200**
- (58) **Field of Classification Search**  
USPC ..... D24/200, 204; D7/538, 629; D9/424,  
D9/428  
CPC ..... A61F 7/00; A61F 7/007; A61F 7/0085;  
A61F 2007/0001; A61F 2007/0004; A61F  
2007/0014; A61F 2007/0015; A61F  
2007/0024; A61F 2007/0029; A61F  
2007/0039; H05B 3/00; H05B 3/0052;  
H05B 3/26; A47J 27/004; A47J 36/06;  
A61L 9/12; A61L 9/03; F27B 14/12  
See application file for complete search history.

- (56) **References Cited**  
U.S. PATENT DOCUMENTS  
5,107,832 A \* 4/1992 Guibert ..... A61F 7/00  
607/96  
D440,662 S \* 4/2001 Ferber ..... D24/200  
D441,455 S \* 5/2001 Feer ..... D24/200

- D442,284 S \* 5/2001 Ferber ..... D24/200
- D455,214 S \* 4/2002 Ferber ..... D24/204
- D465,074 S 10/2002 McCracken et al.
- D469,932 S 2/2003 Liang-Ming
- 6,756,567 B1 \* 6/2004 Suen ..... F27B 17/00  
219/424
- 8,084,718 B1 \* 12/2011 Shotey ..... A61F 7/0085  
219/428
- D838,859 S \* 1/2019 Yu ..... D24/200
- D857,215 S \* 8/2019 Lin ..... D24/200
- D870,896 S \* 12/2019 Komaki ..... D24/200
- D895,821 S \* 9/2020 Lin ..... D24/200

\* cited by examiner

*Primary Examiner* — Wan Laymon  
(74) *Attorney, Agent, or Firm* — ScienBiziP, P.C.

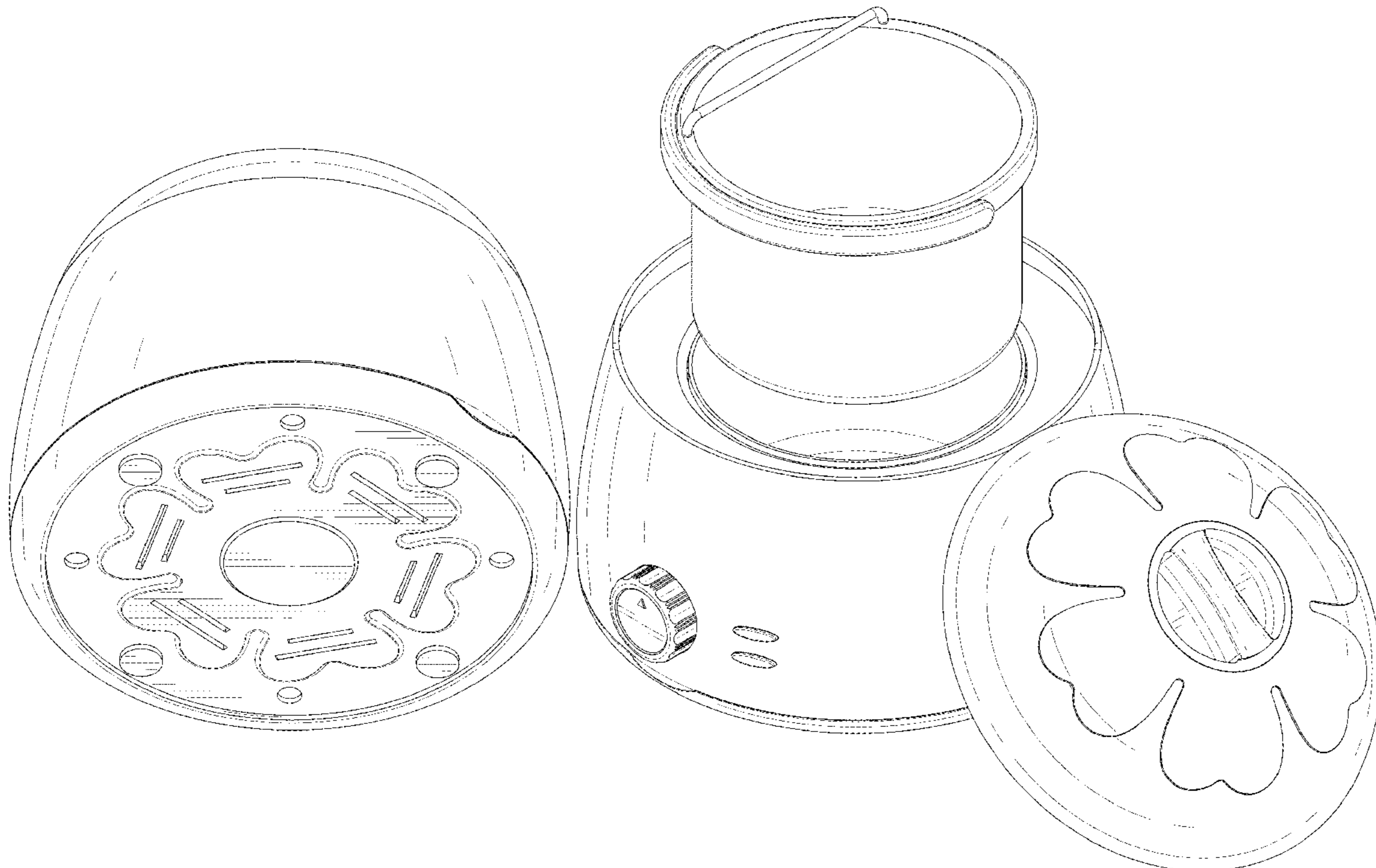
(57) **CLAIM**

The ornamental design for a body waxing tool, as shown and described.

**DESCRIPTION**

FIG. 1 is a front and top perspective view of a body waxing tool, showing my design.  
 FIG. 2 is a rear and bottom perspective view thereof.  
 FIG. 3 is a front elevation view thereof.  
 FIG. 4 is a rear elevation view thereof.  
 FIG. 5 is a left side elevation view thereof.  
 FIG. 6 is a right side elevation view thereof.  
 FIG. 7 is a top plan view thereof.  
 FIG. 8 is a bottom plan view thereof; and,  
 FIG. 9 is a perspective view of the body waxing tool wherein a cover of the body waxing tool is open.

**1 Claim, 9 Drawing Sheets**



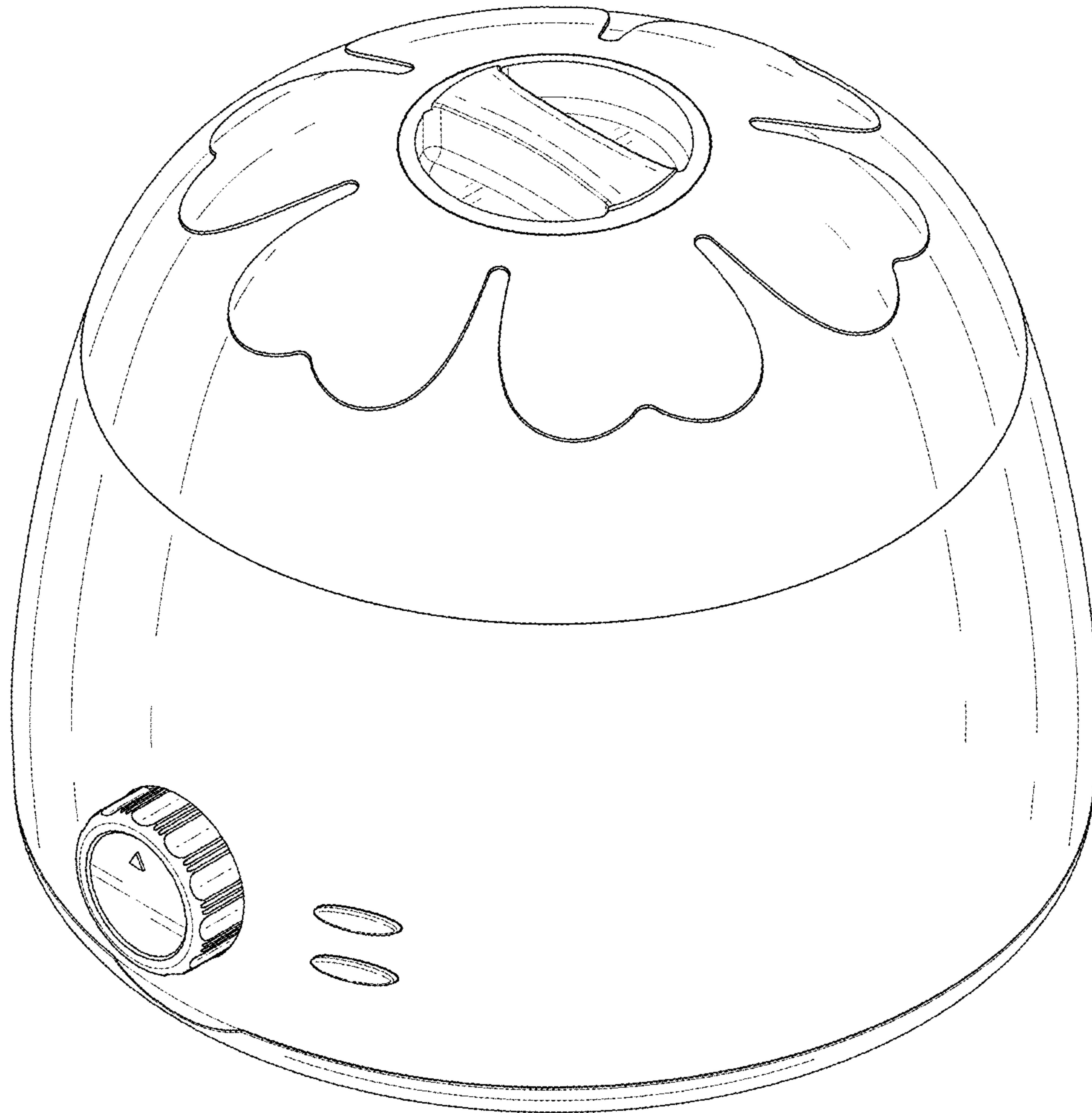


FIG.1

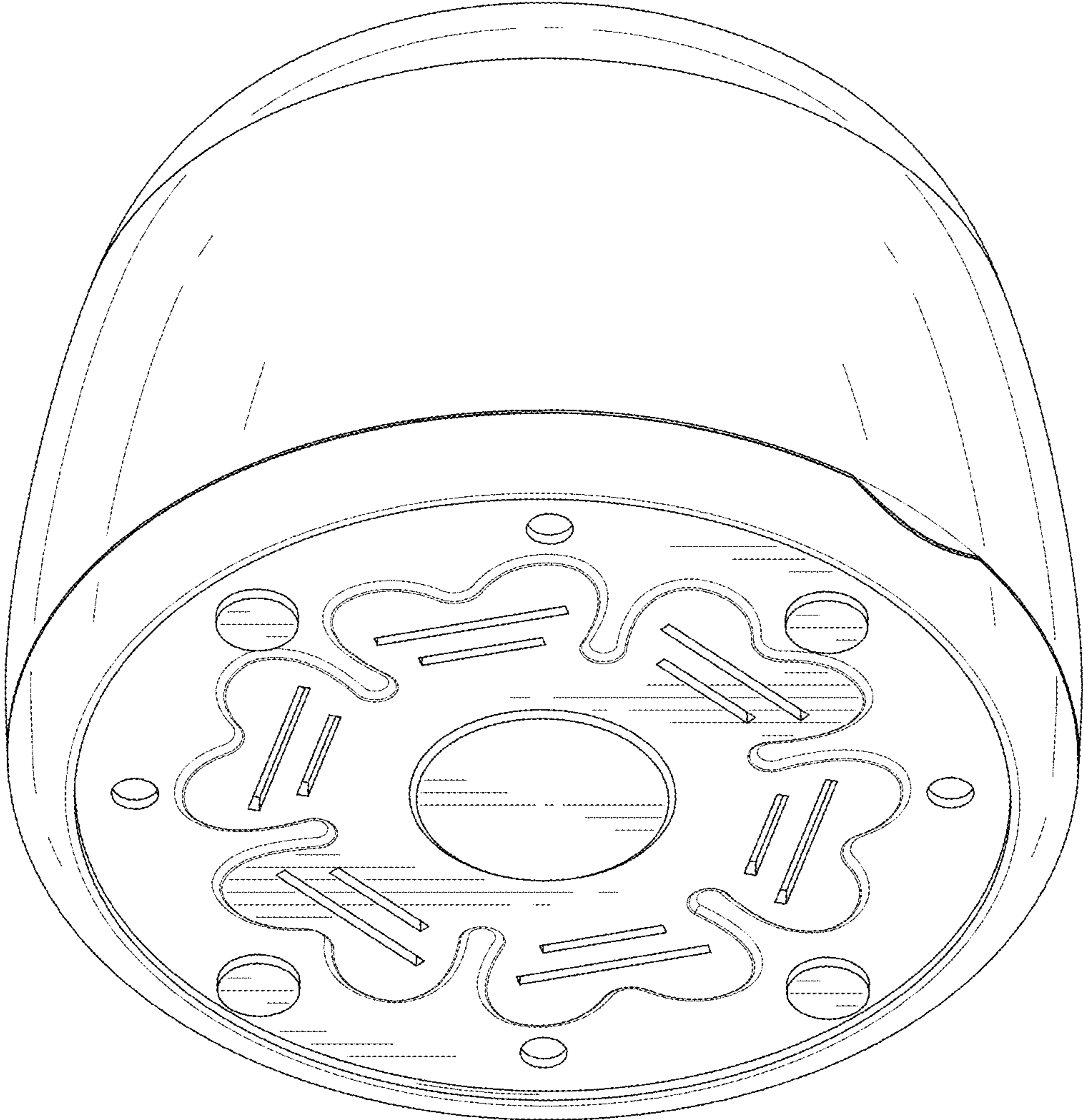


FIG.2

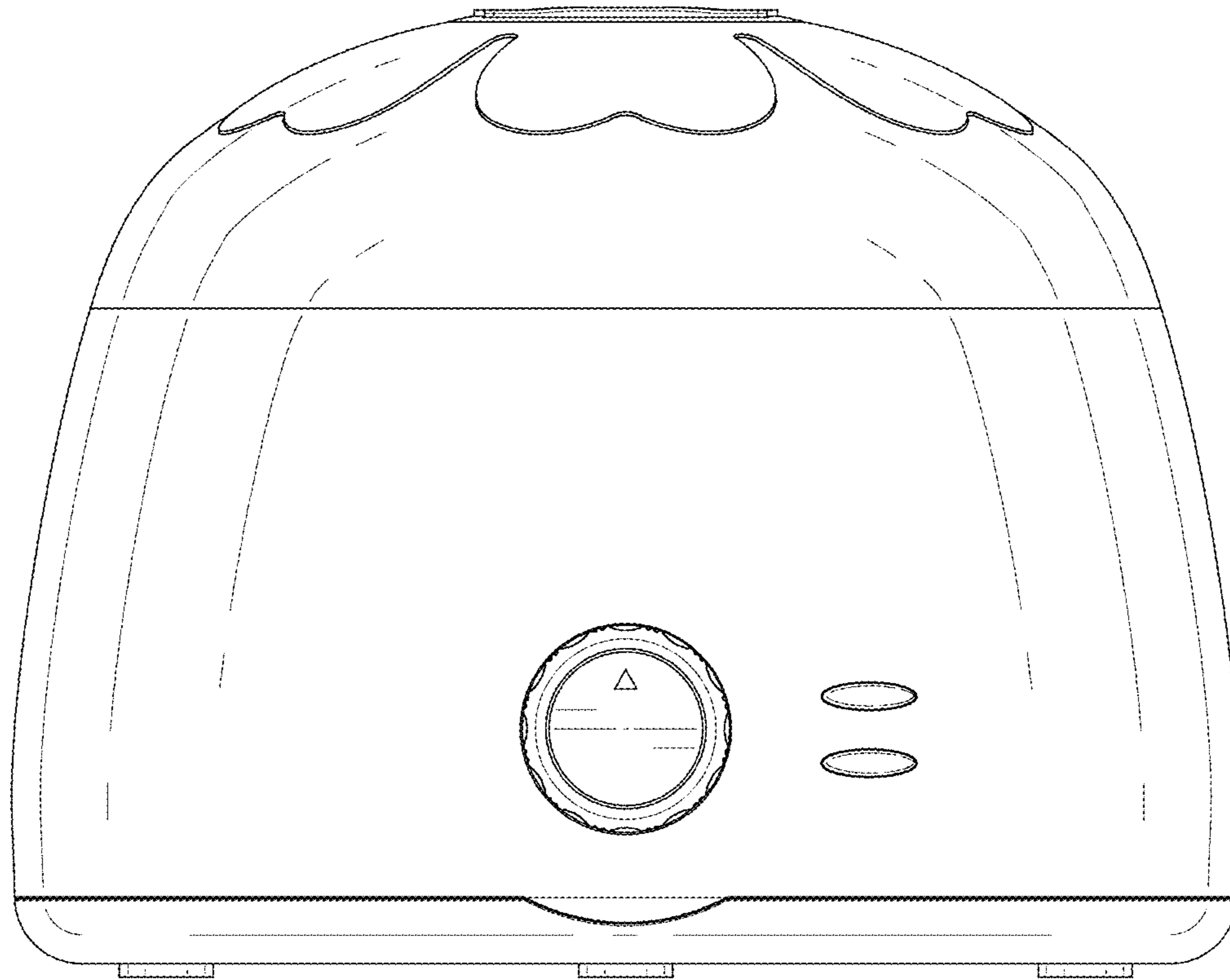


FIG.3

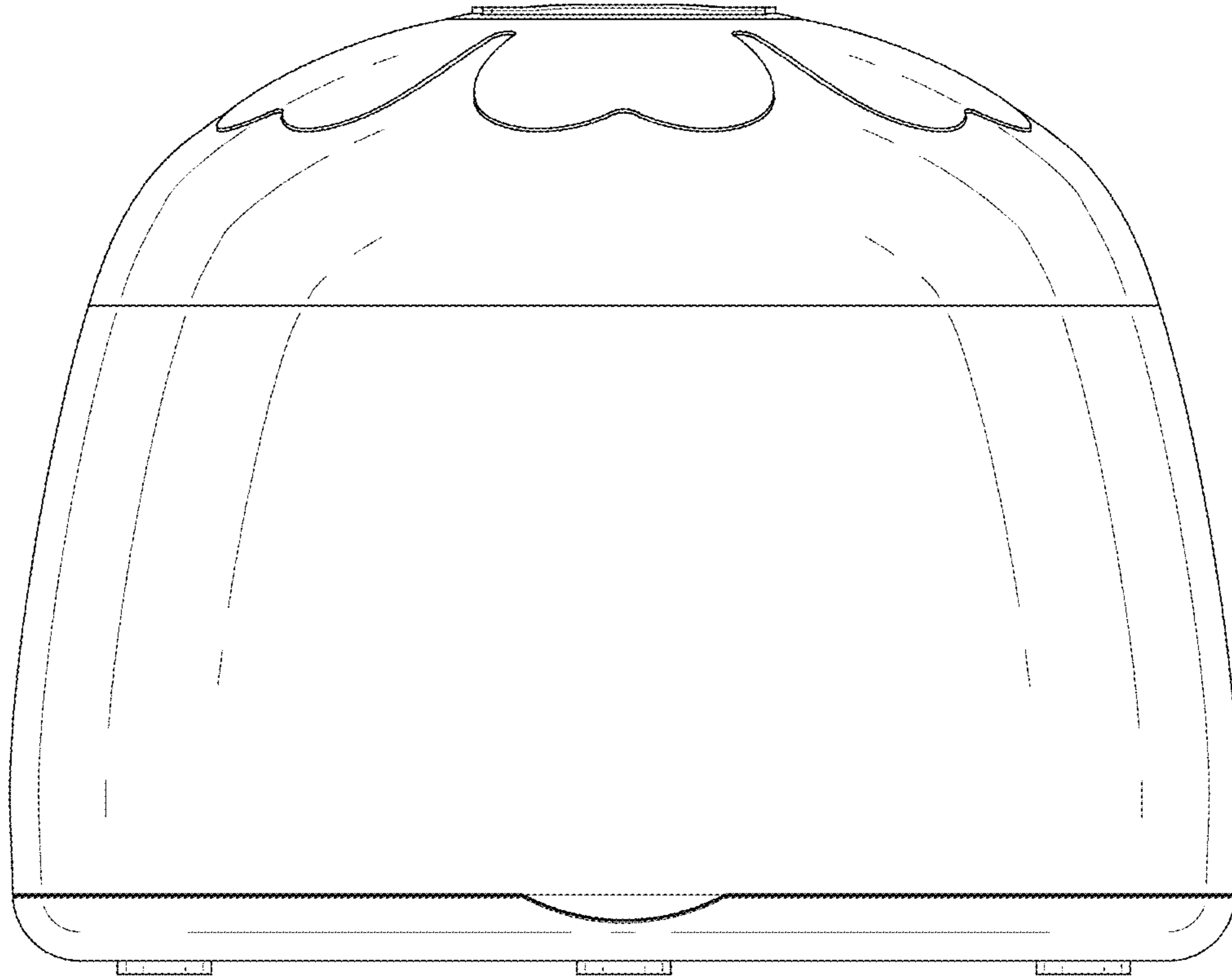


FIG.4

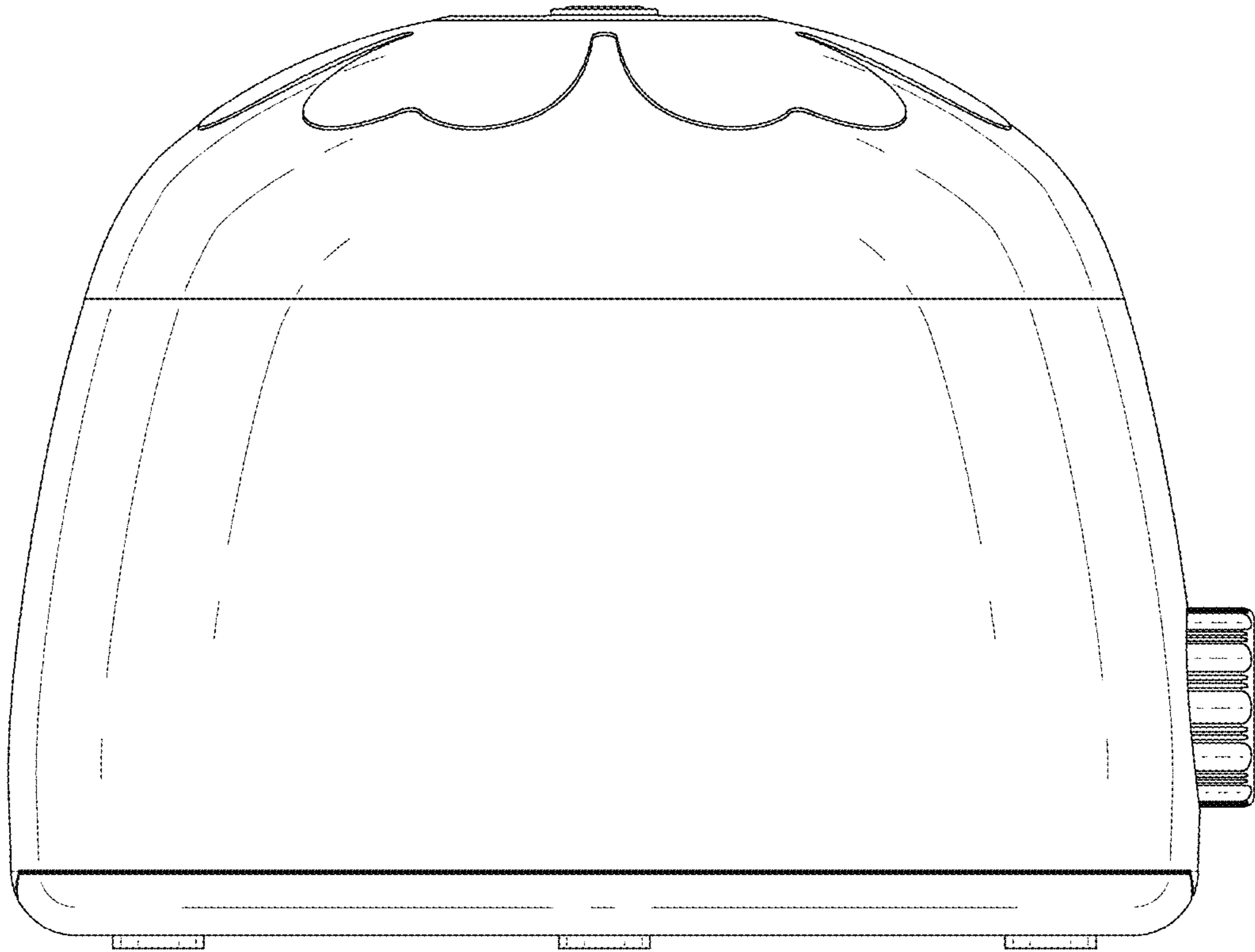


FIG.5

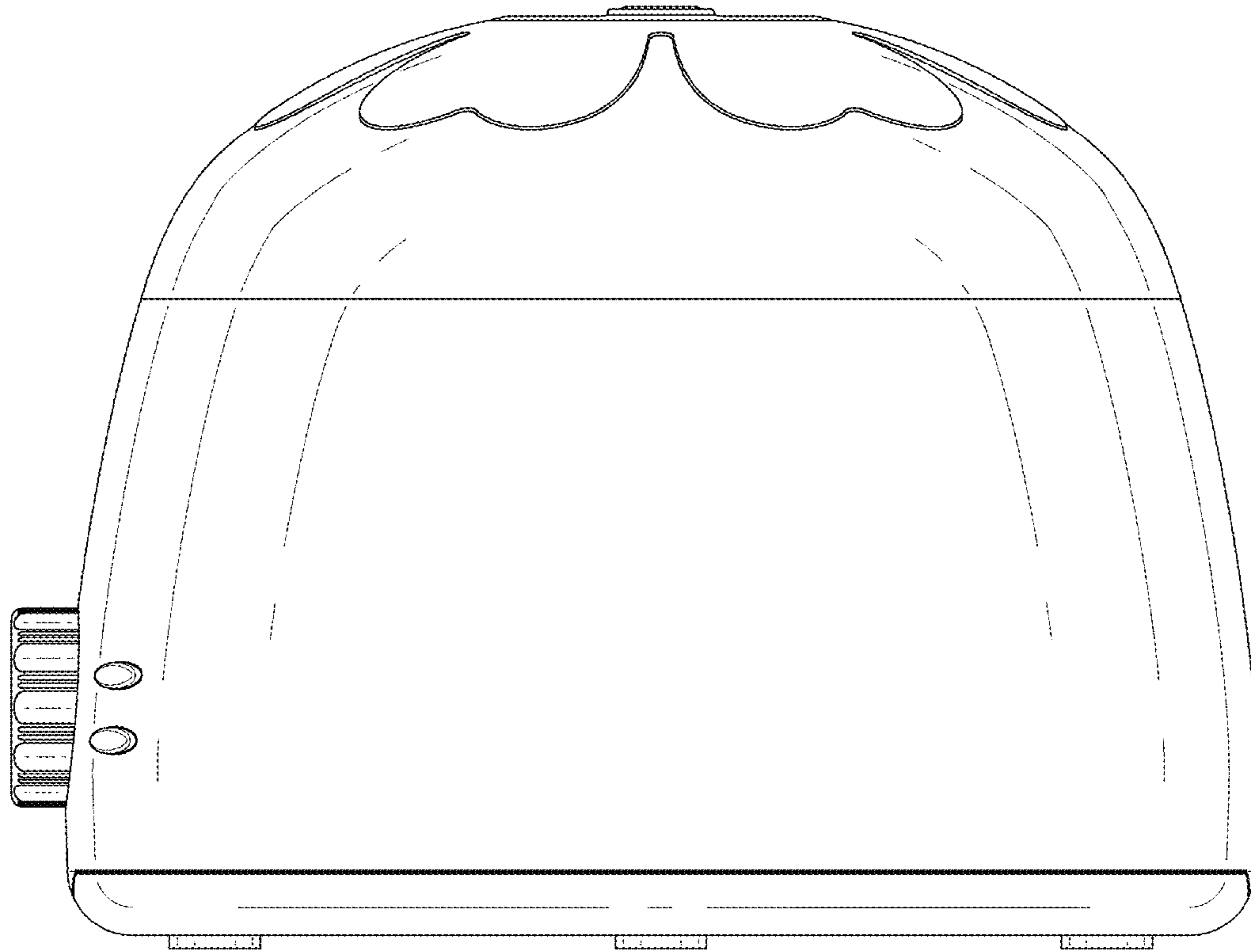


FIG.6

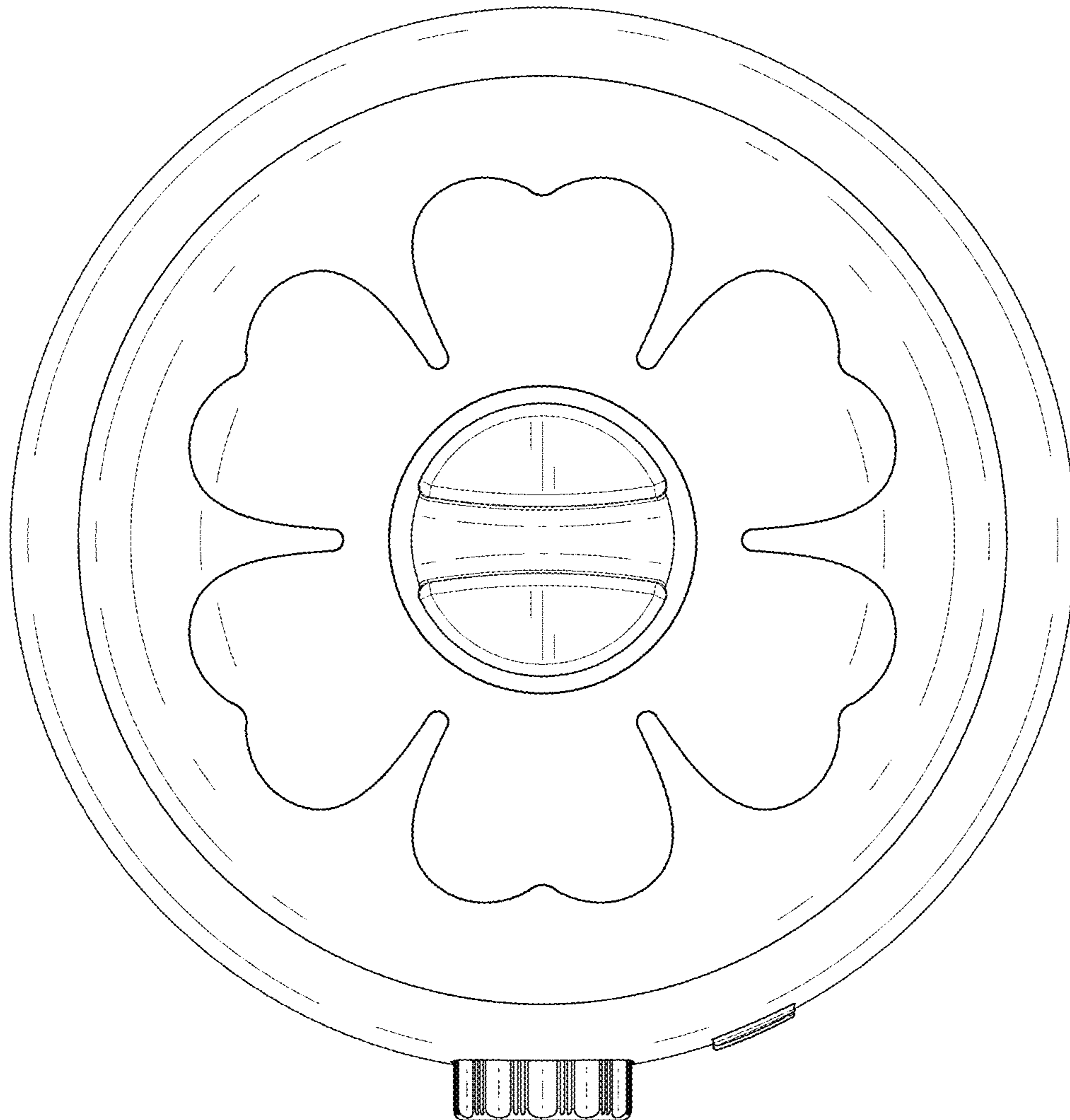


FIG.7



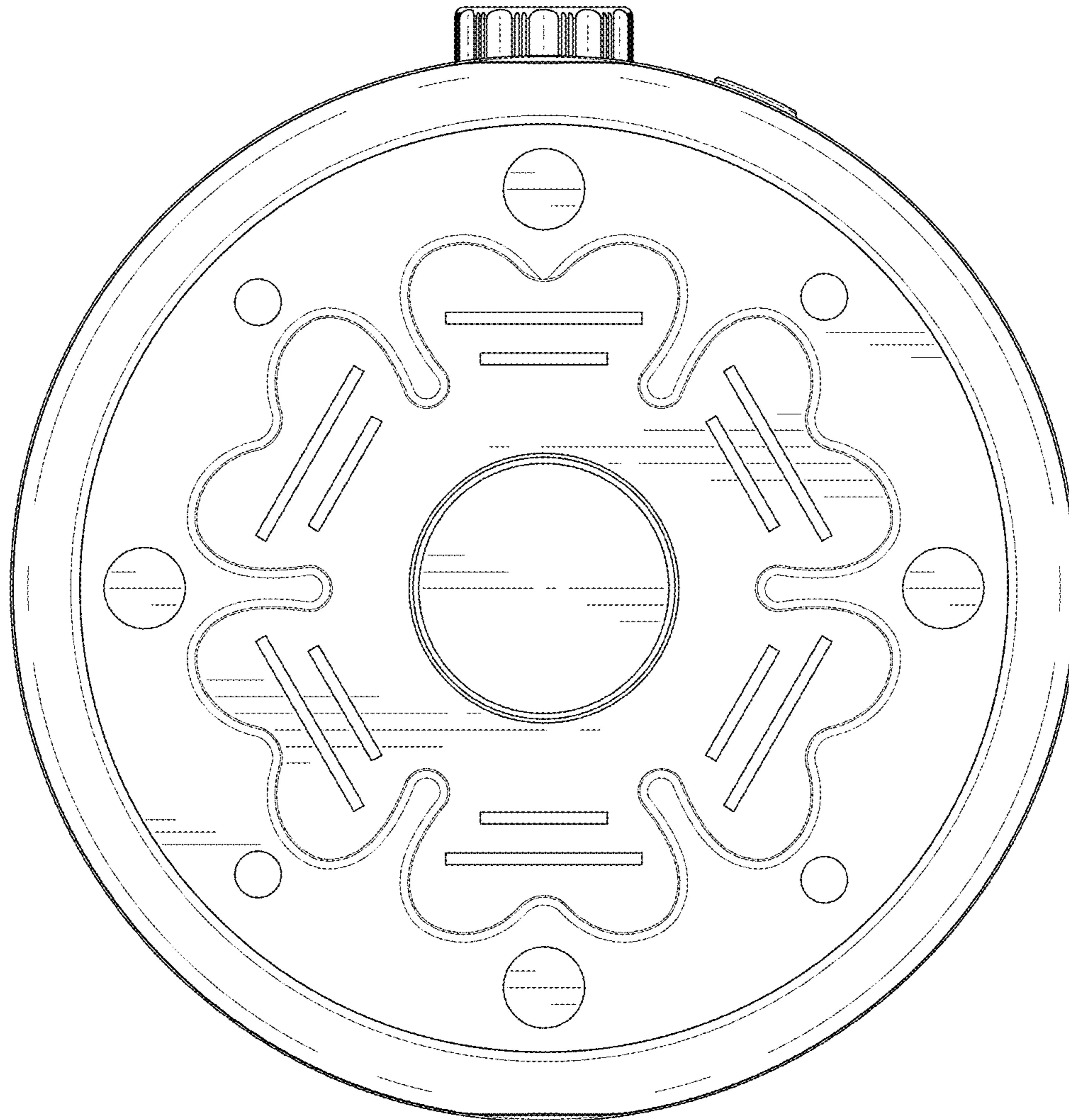


FIG. 8

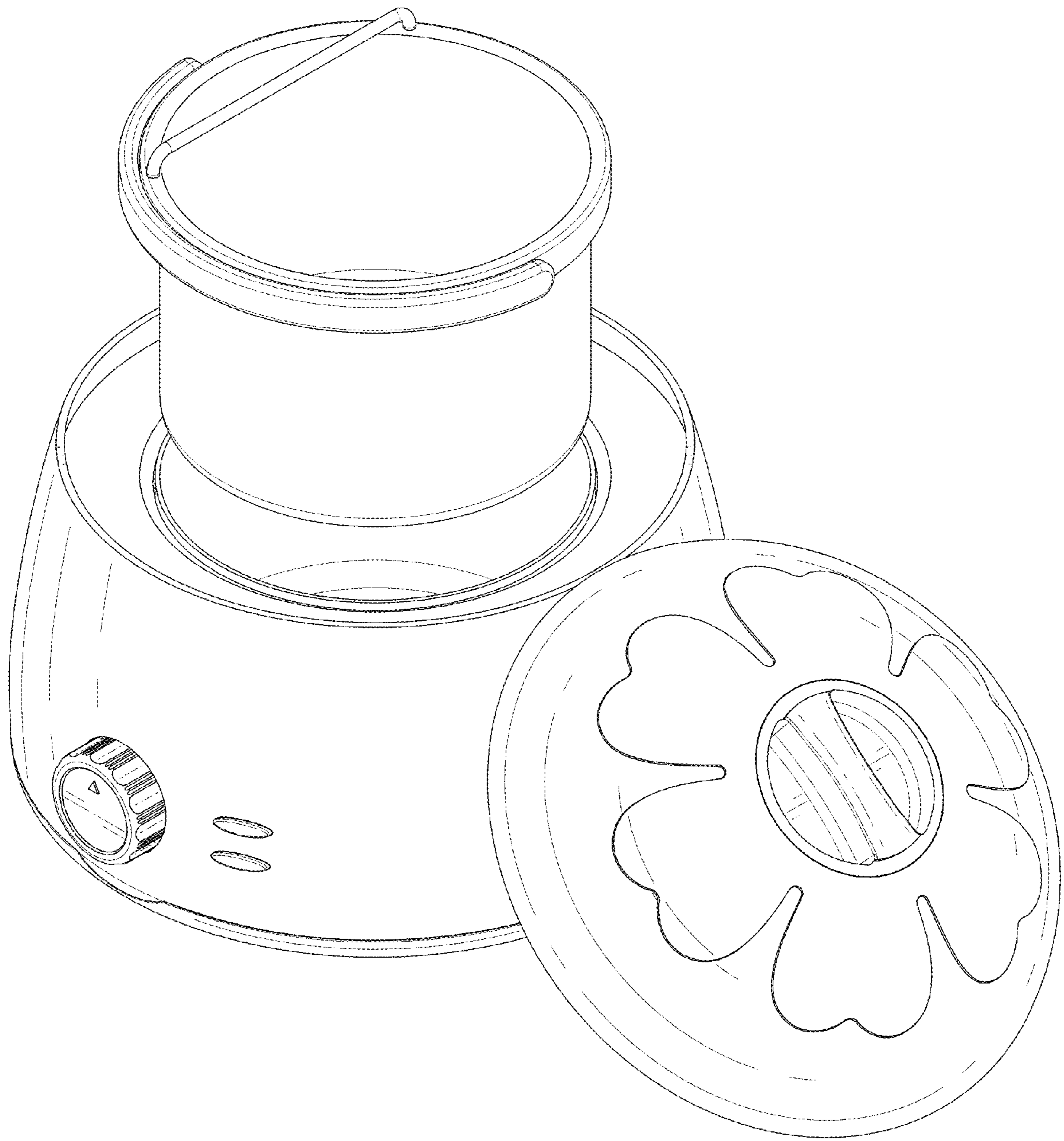


FIG. 9