



US00D914220S

(12) **United States Design Patent**  
**Nelson et al.**

(10) **Patent No.:** **US D914,220 S**  
(45) **Date of Patent:** **\*\* Mar. 23, 2021**

- (54) **MEDICAL EXAMINATION PROBE**
- (71) Applicant: **EchoNous, Inc.**, Redmond, WA (US)
- (72) Inventors: **David Nelson**, Redmond, WA (US);  
**Greg Nieminen**, Bothell, WA (US);  
**Nikolaos Pagoulatos**, Kirkland, WA (US);  
**Shelby Brunke**, Sammamish, WA (US);  
**Brandon Cheung**, San Francisco, CA (US);  
**Christopher Loew**, Palo Alto, CA (US)
- (73) Assignee: **EchoNous, Inc.**, Redmond, WA (US)
- (\*\*) Term: **15 Years**
- (21) Appl. No.: **29/693,104**
- (22) Filed: **May 30, 2019**
- (51) **LOC (13) Cl.** ..... **24-01**
- (52) **U.S. Cl.**  
USPC ..... **D24/187**
- (58) **Field of Classification Search**  
USPC ..... D24/107, 133, 137, 138, 141, 147,  
D24/158-161, 164, 165, 167, 170,  
(Continued)

(56) **References Cited**

U.S. PATENT DOCUMENTS

- D284,096 S \* 6/1986 Desjacques ..... D10/57
  - D290,820 S \* 7/1987 Slovak ..... D10/103
- (Continued)

FOREIGN PATENT DOCUMENTS

- CN 304195308 S 7/2017
- TW D177664 8/1916
- TW D180775 S 1/2017

OTHER PUBLICATIONS

Search Report for Taiwan Design Patent Application No. 108307398D01 dated Nov. 9, 2020, 1 page.

(Continued)

*Primary Examiner* — T Chase Nelson  
*Assistant Examiner* — Kelly L Gross  
(74) *Attorney, Agent, or Firm* — Seed Intellectual Property Law Group LLP

(57) **CLAIM**

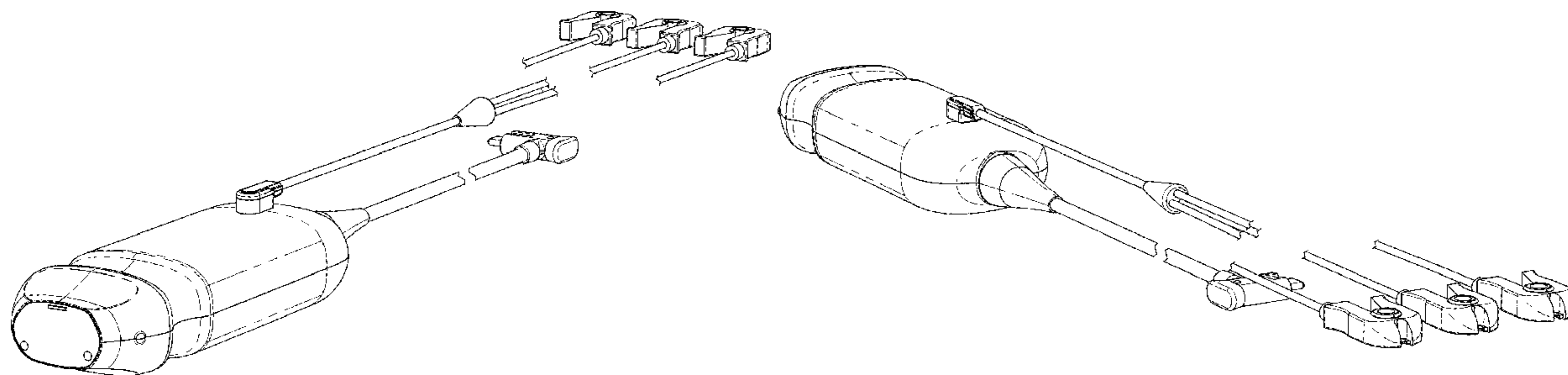
The ornamental design for a medical examination probe, as shown and described.

**DESCRIPTION**

FIG. 1 is a top, front, right perspective view of a medical examination probe showing our new design.  
 FIG. 2 is a top, rear, right perspective view thereof.  
 FIG. 3 is a top plan view thereof.  
 FIG. 4 is a bottom plan view thereof.  
 FIG. 5 is a right side elevation view thereof.  
 FIG. 6 is a left side elevation view thereof.  
 FIG. 7 is a rear elevation view thereof; and,  
 FIG. 8 is a front elevation view thereof.

In the figures, the medical examination probe includes three electrical clips that are coupled by a wired connection to a main body, and for a portion of the wired connection, the electrical wire coupled to the main body divides into three electrical lead wires that are coupled to the three electrical clips. The three electrical lead wires are shown in the figures with break lines illustrating a symbolic break in their length. Additionally, in the figures, the medical examination probe includes an electrical wire that couples an electrical connector to the main body. The electrical wire coupled between the main body and the electrical connector is shown with break lines illustrating a symbolic break in its length. The appearance of any portion of the wires between the break lines forms no part of the claimed design. The broken lines in the figures are for the purpose of illustrating portions of the medical examination probe that form no part of the claimed design.

**1 Claim, 4 Drawing Sheets**



(58) **Field of Classification Search**

USPC ..... D24/185-187, 130, 112, 113, 146, 200;  
 D10/57, 60, 78, 80; D6/709  
 CPC ..... A61B 17/0469; A61B 17/0482; A61B  
 2017/2927; A61B 8/0437; A61B 8/0883;  
 A61B 8/4405; A61B 8/4427; A61B  
 8/445; B41J 2/17513

See application file for complete search history.

(56) **References Cited**

U.S. PATENT DOCUMENTS

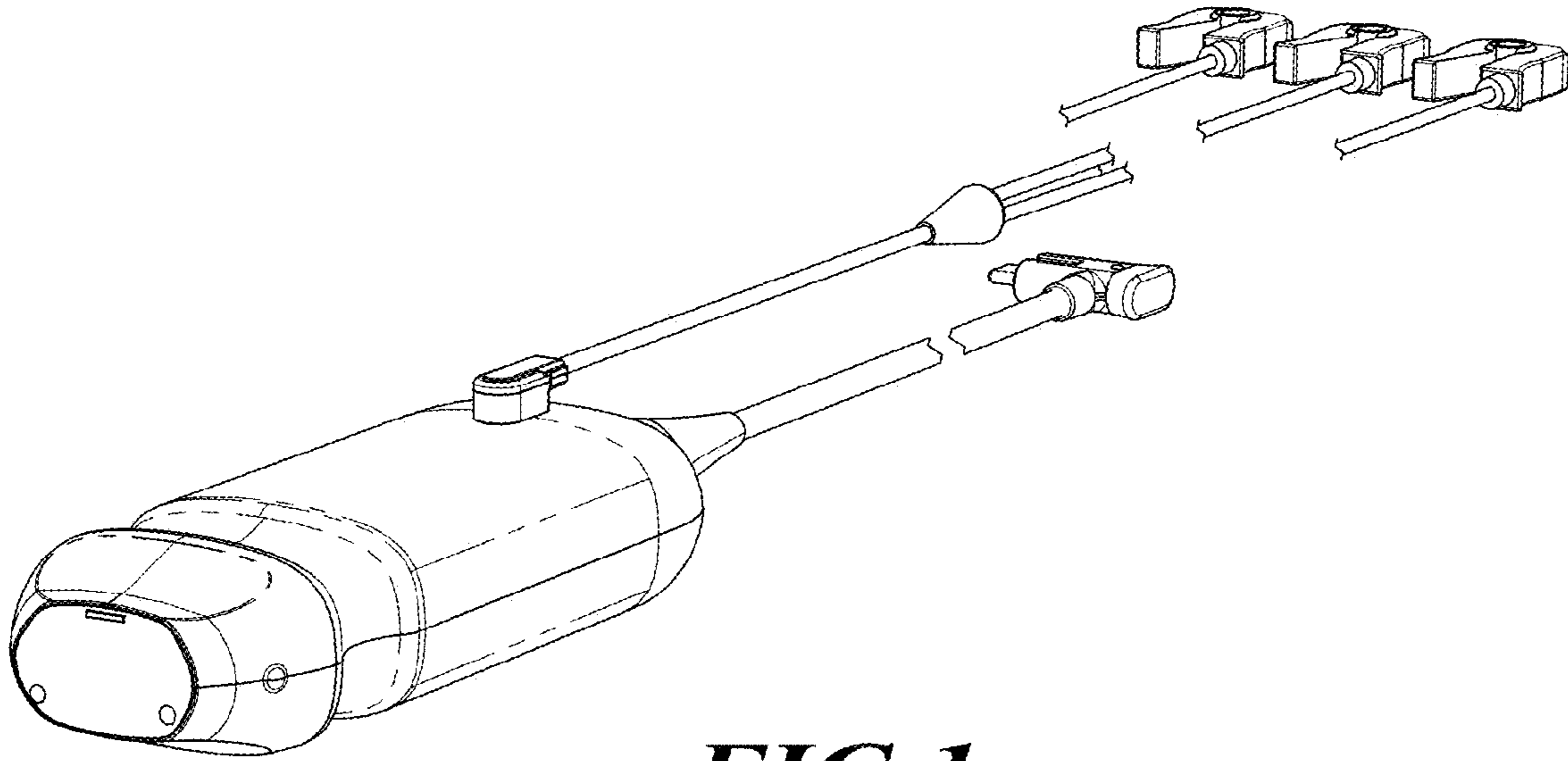
D345,703 S \* 4/1994 Cervas ..... D10/78  
 D387,862 S \* 12/1997 Mainiero ..... D24/127  
 D387,867 S \* 12/1997 Henderson ..... D24/187  
 D399,151 S \* 10/1998 Fisher ..... D10/78  
 D400,455 S \* 11/1998 Fisher ..... D10/78  
 5,897,503 A \* 4/1999 Lyon ..... A61B 8/00  
 600/459  
 D461,730 S \* 8/2002 Luebke ..... D10/78  
 D472,170 S \* 3/2003 Reymond ..... D10/74  
 D481,963 S \* 11/2003 Onuma ..... D10/78  
 D538,936 S \* 3/2007 Bohmel ..... D24/133  
 D591,424 S \* 4/2009 Costa ..... D24/184  
 D628,917 S \* 12/2010 Tian ..... D10/78  
 D629,319 S \* 12/2010 Tian ..... D10/78  
 D634,849 S \* 3/2011 Kanokogi ..... D24/187  
 D636,087 S \* 4/2011 Loew ..... D24/200  
 D681,820 S \* 5/2013 Shinohara ..... D24/186  
 D681,823 S \* 5/2013 Shinohara ..... D24/186  
 D681,824 S \* 5/2013 Shinohara ..... D24/186  
 D681,825 S \* 5/2013 Shinohara ..... D24/186  
 D681,827 S \* 5/2013 Shinohara ..... D24/186  
 D681,828 S \* 5/2013 Shinohara ..... D24/186  
 D681,829 S \* 5/2013 Shinohara ..... D24/186  
 D682,433 S \* 5/2013 Shinohara ..... D24/186  
 D685,100 S \* 6/2013 Shinohara ..... D24/186  
 D702,358 S \* 4/2014 Shinohara ..... D24/187  
 D703,819 S \* 4/2014 Moon ..... D24/187  
 D703,821 S \* 4/2014 Moon ..... D24/187

D704,844 S \* 5/2014 Saeki ..... D24/187  
 9,072,487 B2 \* 7/2015 Hebrard ..... A61B 8/4455  
 D737,225 S \* 8/2015 Seidl ..... D13/168  
 D745,686 S \* 12/2015 Personelli ..... D24/187  
 D748,808 S \* 2/2016 Matsumura ..... D24/187  
 D749,224 S \* 2/2016 Iritani ..... D24/187  
 D754,357 S \* 4/2016 Lindekugel ..... D24/187  
 D756,818 S \* 5/2016 Hashimoto ..... D10/78  
 D763,452 S \* 8/2016 Ryu ..... D24/187  
 D770,629 S \* 11/2016 Nieminen ..... D24/187  
 D770,630 S \* 11/2016 Nieminen ..... D24/187  
 D787,685 S \* 5/2017 Vezina ..... D24/187  
 D811,606 S \* 2/2018 Kitayama ..... A61B 8/4455  
 D812,745 S \* 3/2018 Pascullo ..... D24/133  
 D816,850 S \* 5/2018 Asai ..... A61B 8/00  
 D816,851 S \* 5/2018 Asai ..... D24/187  
 D818,594 S \* 5/2018 Asai ..... D24/187  
 D822,218 S \* 7/2018 Asai ..... D24/187  
 D831,219 S \* 10/2018 Henderson ..... D24/187  
 D837,390 S \* 1/2019 Harada ..... D24/187  
 D839,424 S \* 1/2019 Golosarsky ..... D24/142  
 D841,650 S \* 2/2019 Masin ..... D14/426  
 D842,482 S \* 3/2019 Harada .....  
 D861,884 S \* 10/2019 Moon ..... D24/187  
 D862,710 S \* 10/2019 Moon ..... D24/187  
 D865,973 S \* 11/2019 Chamberlain ..... D24/187  
 D870,897 S \* 12/2019 Katzberg ..... D24/187  
 D875,259 S \* 2/2020 Moon ..... D24/187  
 D876,637 S \* 2/2020 Moon ..... D24/187  
 D878,603 S \* 3/2020 Zhang ..... D24/187  
 D884,193 S \* 5/2020 Robinson ..... D24/187  
 D892,337 S \* 8/2020 Zhang ..... D24/168  
 2017/0252004 A1 \* 9/2017 Broad ..... A61B 8/145

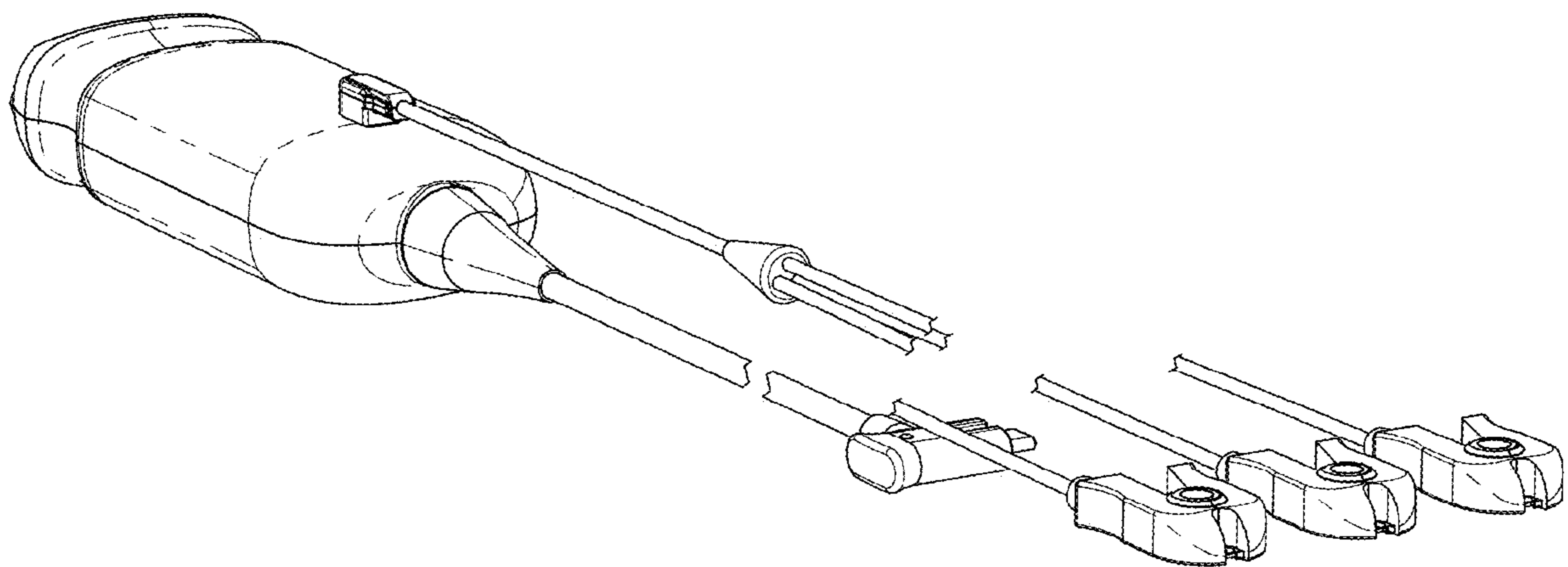
OTHER PUBLICATIONS

Search Report for Taiwan Application No. 108307398, dated Sep. 25, 2020, 1 page.

\* cited by examiner

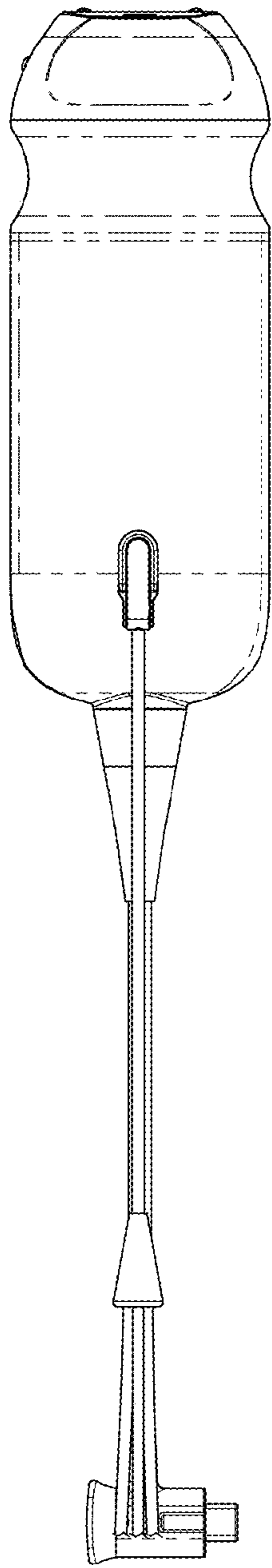


**FIG. 1**



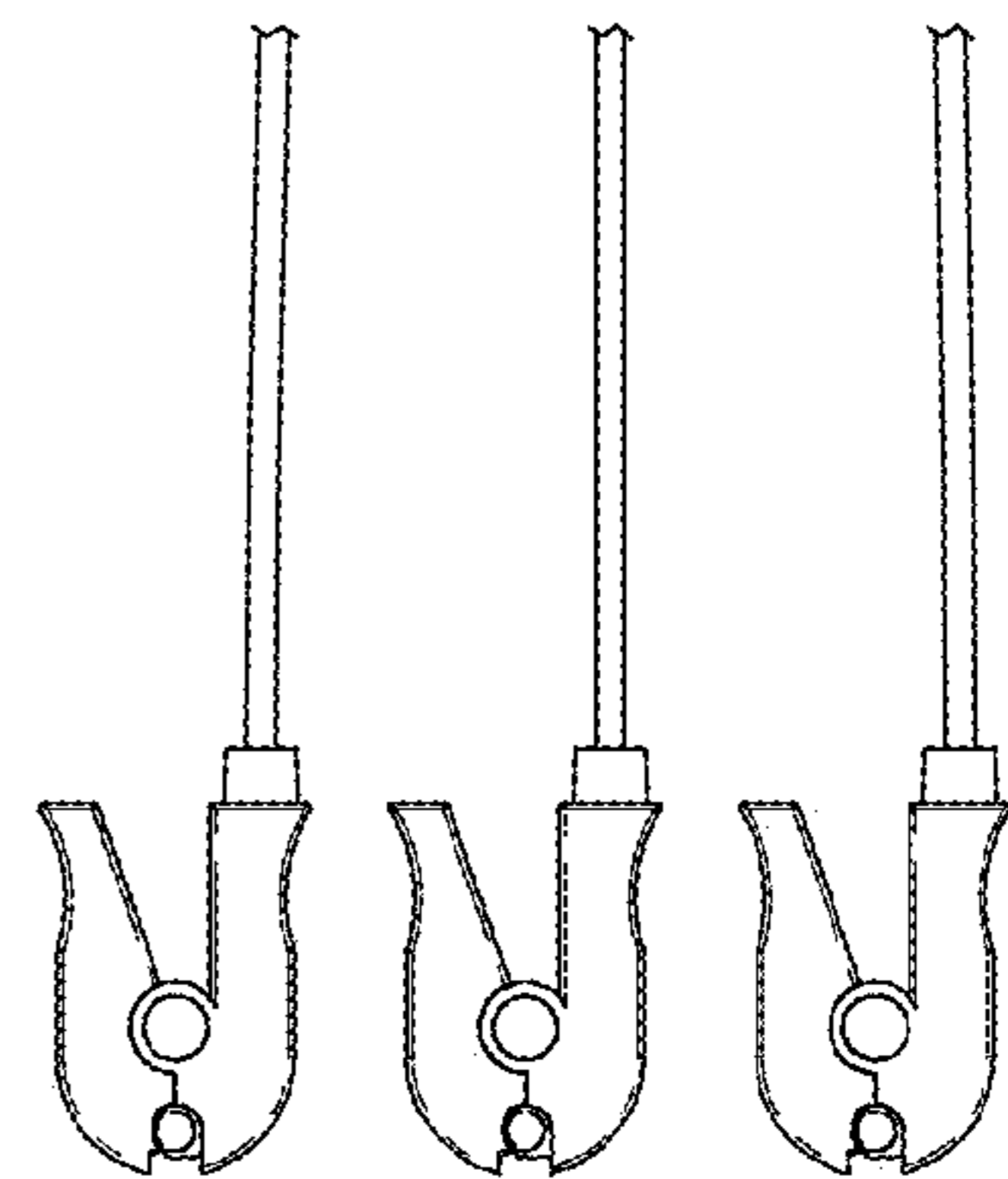
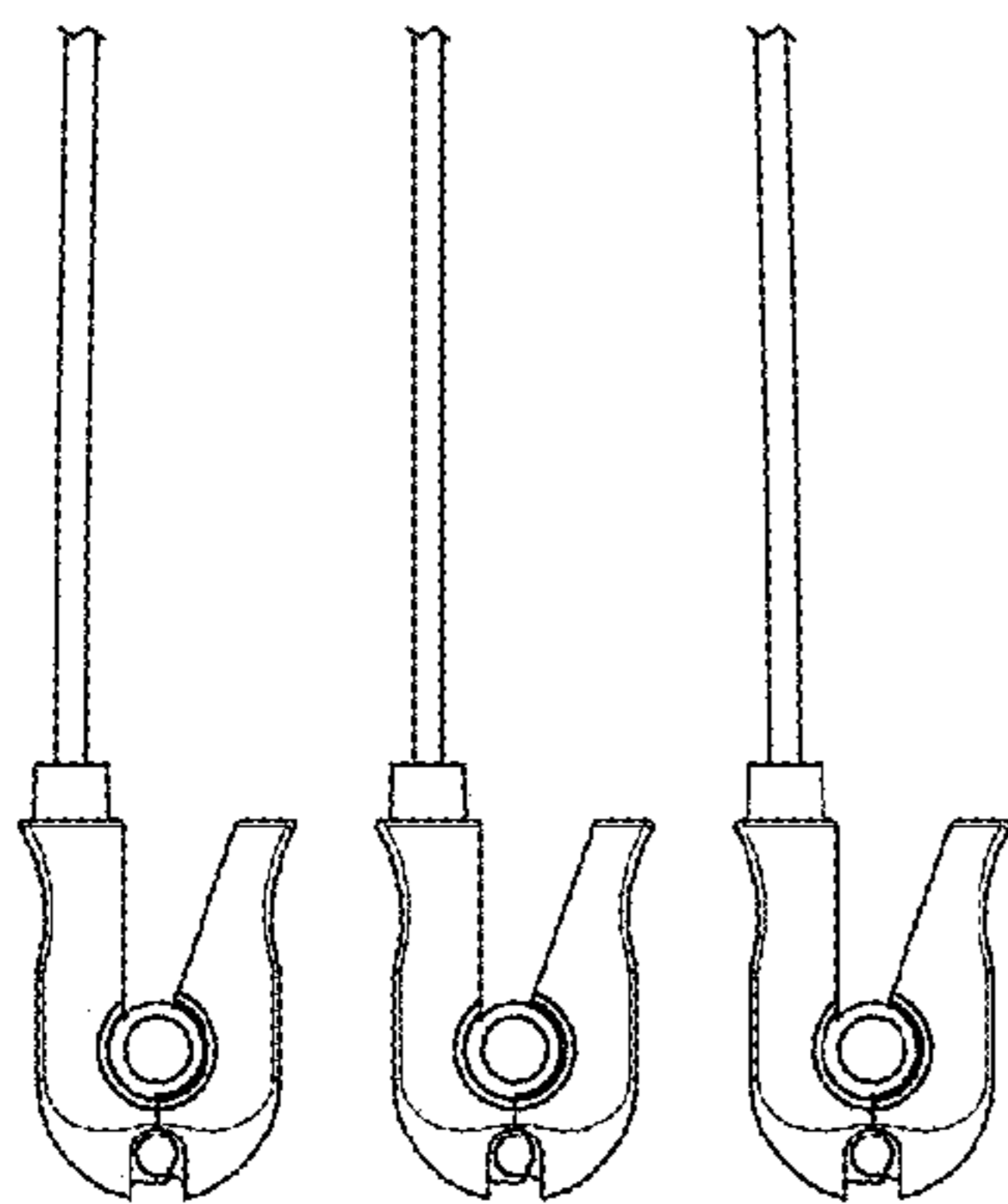
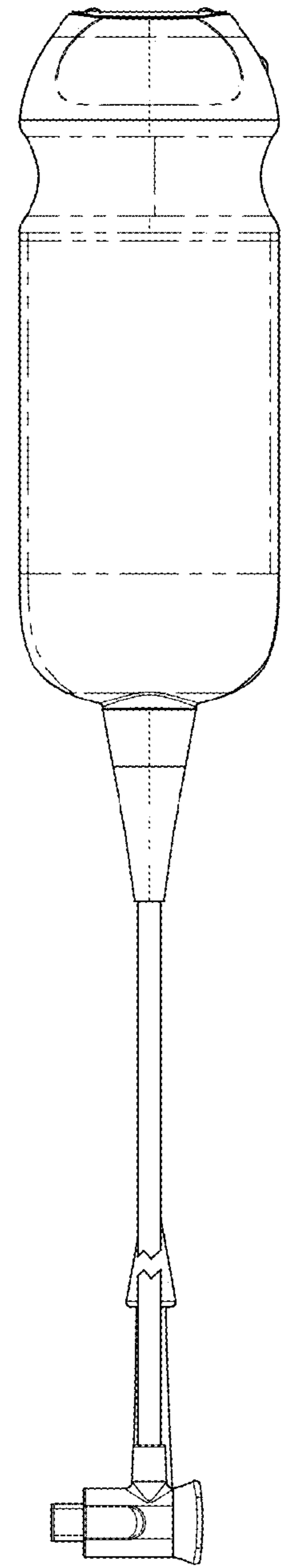
**FIG. 2**

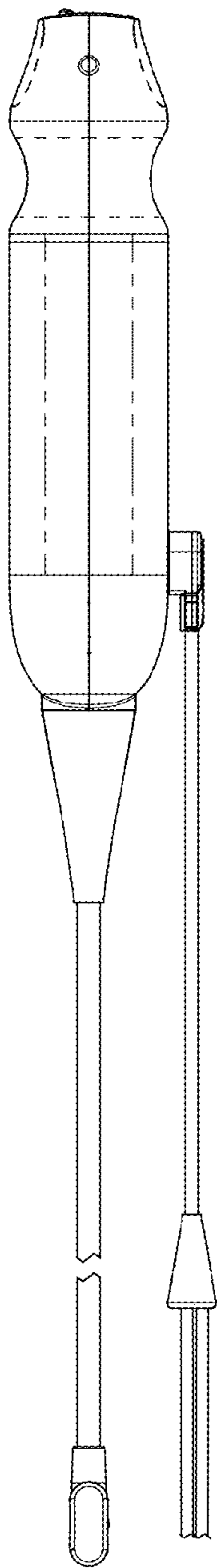




**FIG. 3**

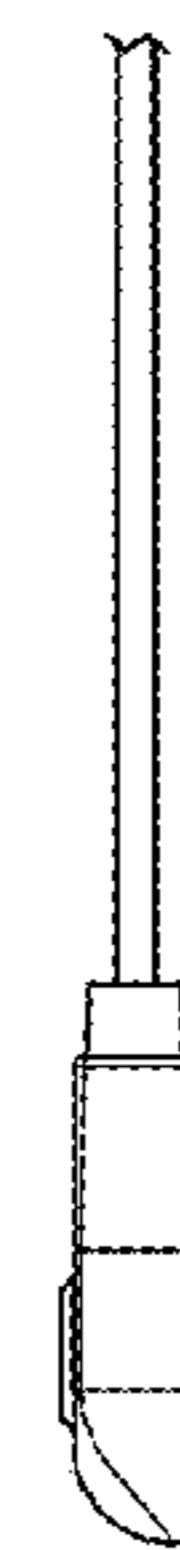
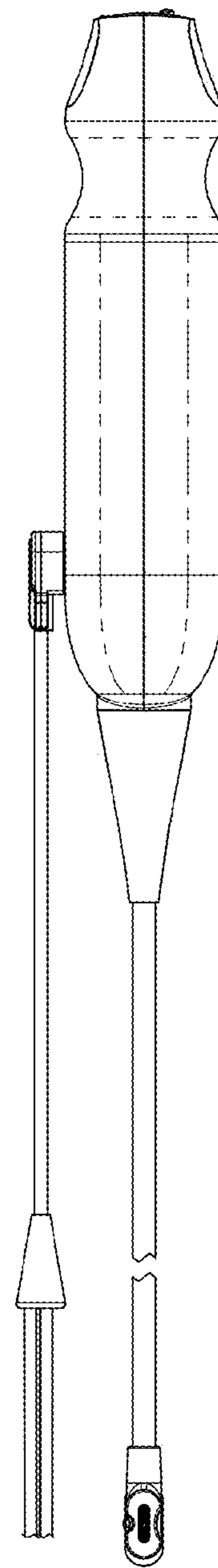
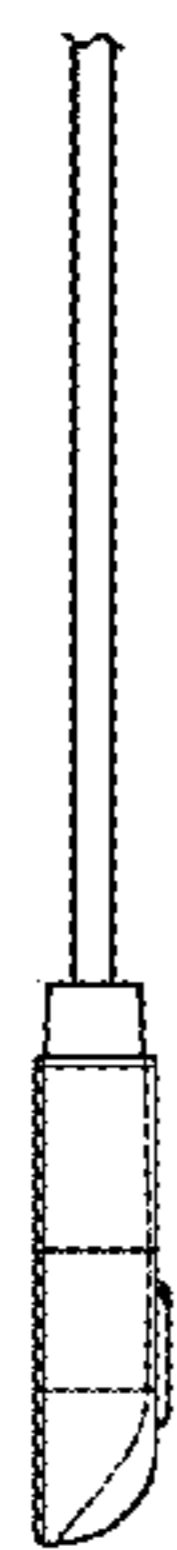
**FIG. 4**

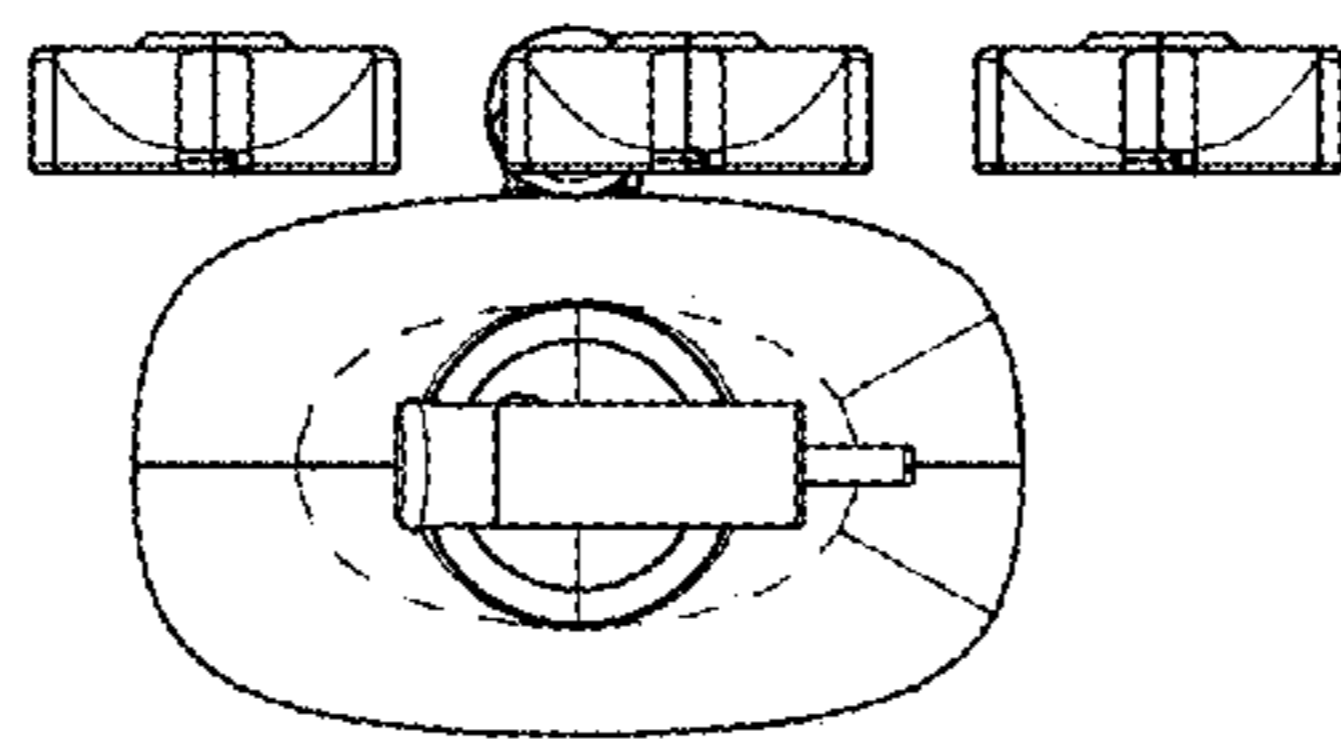




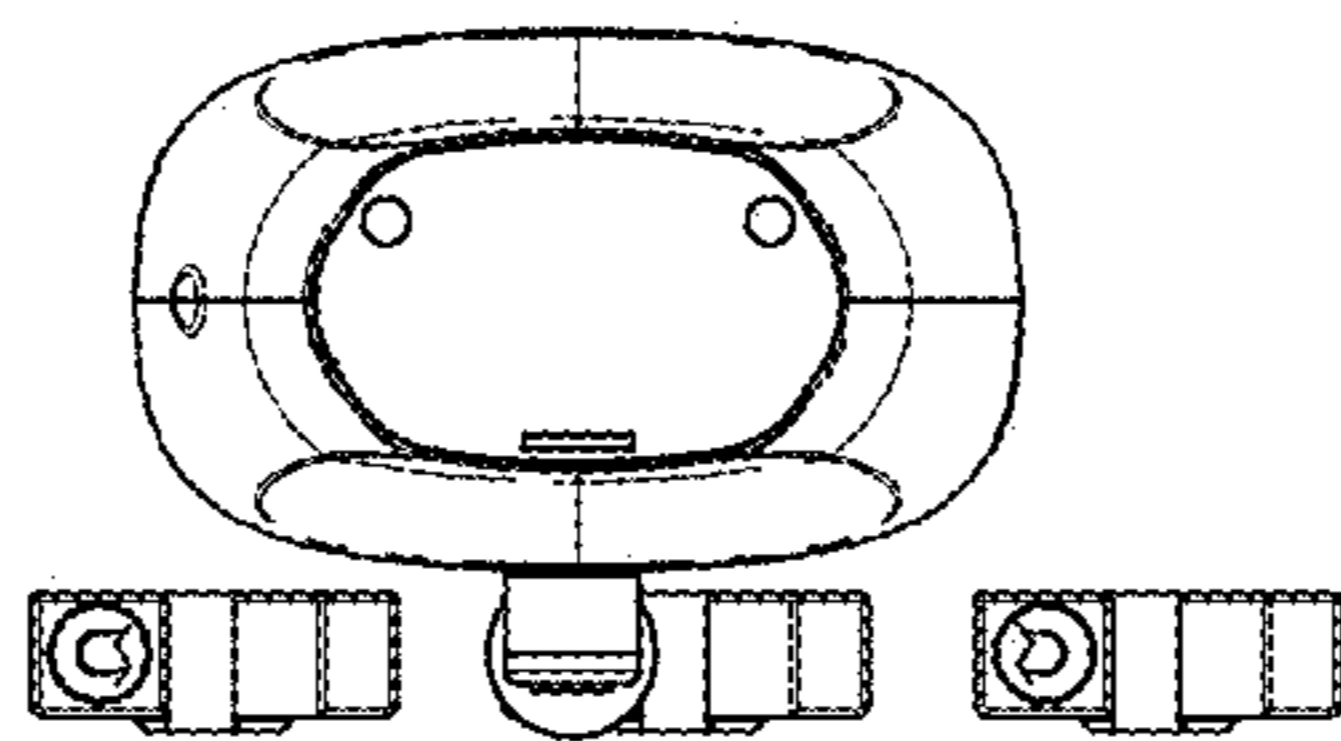
**FIG. 5**

**FIG. 6**





***FIG. 7***



***FIG. 8***