



US00D914219S

(12) **United States Design Patent**
Huang et al.

(10) **Patent No.:** **US D914,219 S**
(45) **Date of Patent:** **** Mar. 23, 2021**

(54) **MONITOR PATCH**

- (71) Applicant: **BIONIME CORPORATION**,
Taichung (TW)
- (72) Inventors: **Chun-Mu Huang**, Taichung (TW);
Chen-Hao Lee, Taichung (TW);
Hsueh-Chuan Chang, Taichung (TW);
Chieh-Hsing Chen, Taichung (TW)
- (73) Assignee: **BIONIME CORPORATION**,
Taichung (TW)
- (**) Term: **15 Years**

- (21) Appl. No.: **29/686,260**
- (22) Filed: **Apr. 3, 2019**
- (51) **LOC (13) Cl.** **24-02**
- (52) **U.S. Cl.**
USPC **D24/187**
- (58) **Field of Classification Search**
USPC D24/107, 165, 167–169, 185–187, 200,
D24/206, 231; D10/77, 78, 81; D9/420,
D9/423, 430, 432, 761; D16/203, 241;
D14/341, 344, 506, 509
CPC A61B 2560/0462; A61B 2560/0412
See application file for complete search history.

(56) **References Cited**

U.S. PATENT DOCUMENTS

D588,274 S *	3/2009	Dent	D24/189
D665,085 S *	8/2012	Strother	D24/187
D746,480 S *	12/2015	Usui	D24/206
D771,824 S *	11/2016	Minoli	D24/187
D794,801 S *	8/2017	Newhouse	D24/169
D821,593 S *	6/2018	Perez	D24/200
D831,217 S *	10/2018	Geissen	D24/168
D831,831 S *	10/2018	Newhouse	D24/169
D840,549 S *	2/2019	Kelly	D24/223

(Continued)

FOREIGN PATENT DOCUMENTS

CN 201530481573 * 11/2015

OTHER PUBLICATIONS

Lexcam Adhesive Waterproof Patches—Pre-Cut for Omnipod Hypoallergenic CGM Tape—Color Clear, Pack of 20. Online, published date May 15, 2019. Retrieved on Oct. 10, 2020 from URL: https://www.amazon.com/Omnipod-Adhesive-Waterproof-Patches-Hypoallergenic/dp/B07RWF8NZ3/ref=asc_df_B07RWF8NZ3/?tag=hyprod-20&linkCode=df0&.*

Primary Examiner — Janice Hallmark
Assistant Examiner — Omeed Agilee
(74) *Attorney, Agent, or Firm* — Adli Law Group P.C.;
Dariush G. Adli

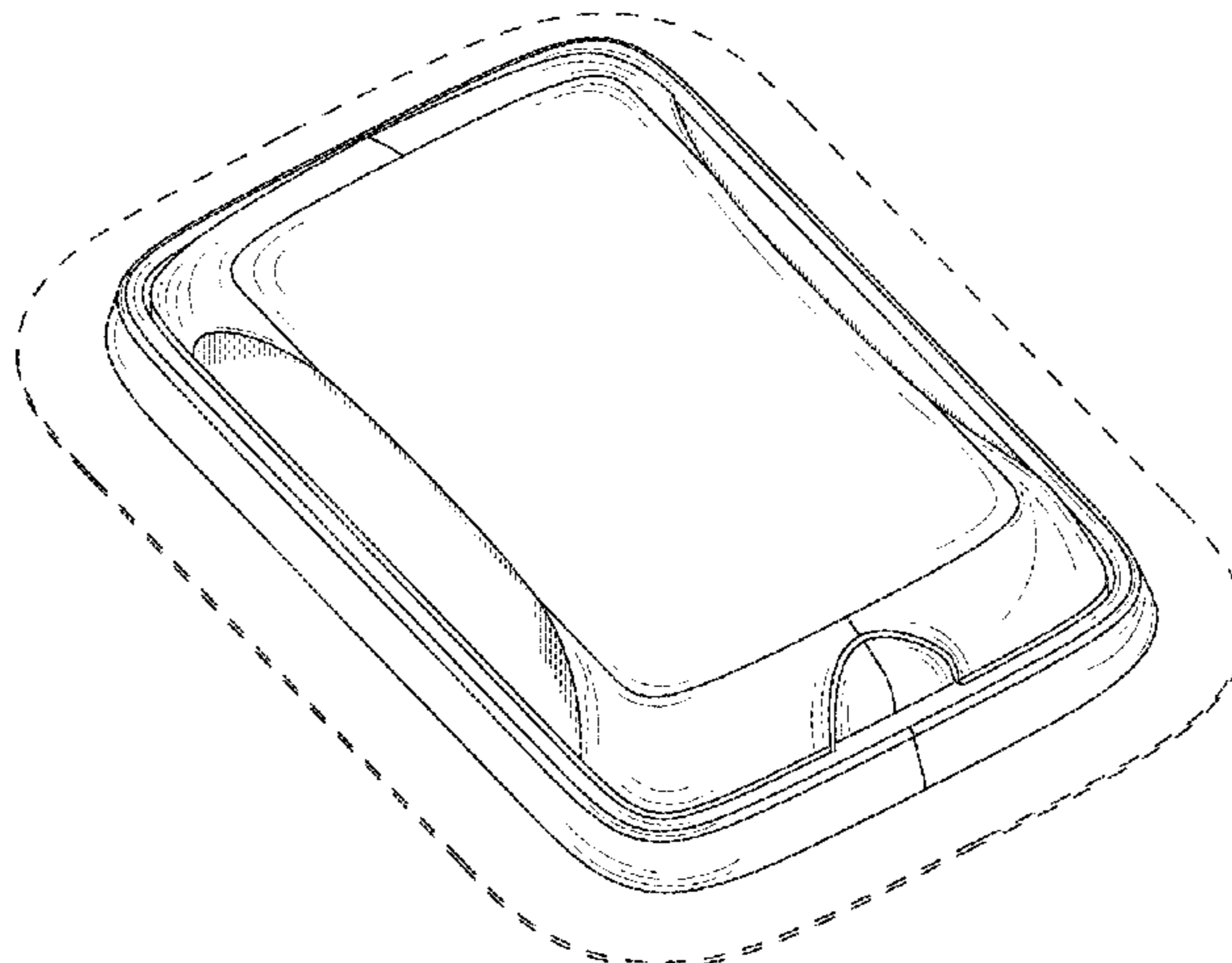
(57) **CLAIM**

The ornamental design for a monitor patch, as shown and described.

DESCRIPTION

FIG. 1 is a perspective view of a monitor patch;
FIG. 2 is a front view of the monitor patch;
FIG. 3 is a rear view of the monitor patch;
FIG. 4 is a top view of the monitor patch;
FIG. 5 is a bottom view of the monitor patch;
FIG. 6 is a left side view of the monitor patch;
FIG. 7 is a right side view of the monitor patch;
FIG. 8 is an exploded perspective view of the monitor patch;
FIG. 9 is a perspective view of the monitor patch showing an unclaimed rectangular pad;
FIG. 10 is an exploded perspective view of the monitor patch showing an unclaimed rectangular pad;
FIG. 11 is a perspective view of the monitor patch showing an unclaimed circular pad; and,
FIG. 12 is an exploded perspective view of the monitor patch showing an unclaimed circular pad.
The broken lines in FIGS. 5, and 8-12 depict unclaimed portions of the monitor patch and form no part of the claimed design.

1 Claim, 12 Drawing Sheets



(56)

References Cited

U.S. PATENT DOCUMENTS

D842,996	S *	3/2019	Frick	D24/169
D854,162	S *	7/2019	Rihu	D24/167
D854,695	S *	7/2019	Patil	D24/186
D886,303	S *	6/2020	Huang	D24/187
D889,685	S *	7/2020	Leimkuehler	D24/230
D890,346	S *	7/2020	Lam	D24/167
D893,025	S *	8/2020	Joyce	D24/131
2016/0058363	A1 *	3/2016	Hayes-Gill	A61B 5/6804 600/588
2016/0157759	A1 *	6/2016	Yang	A61B 5/742 600/365

* cited by examiner



Fig. 1

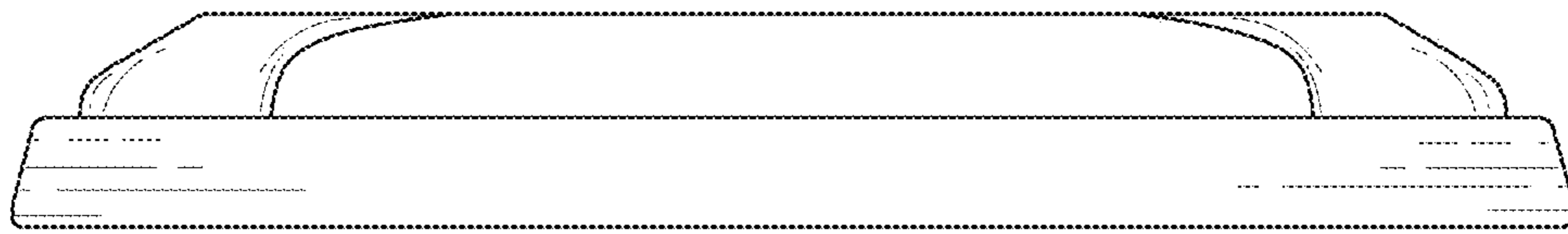


Fig. 2

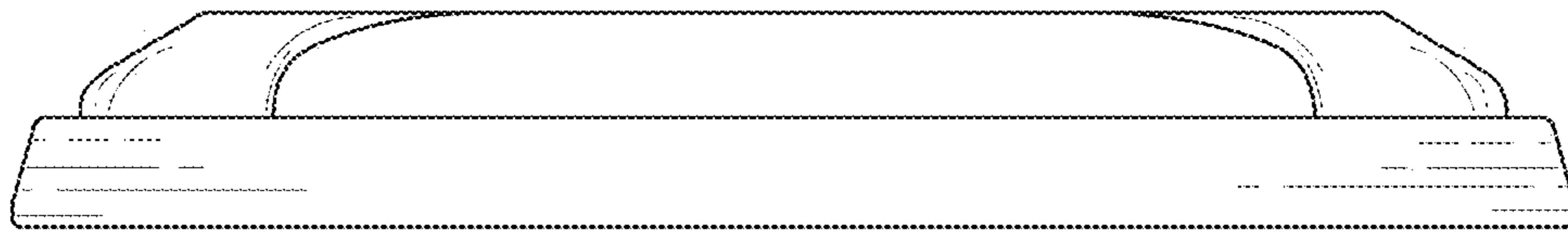


Fig. 3

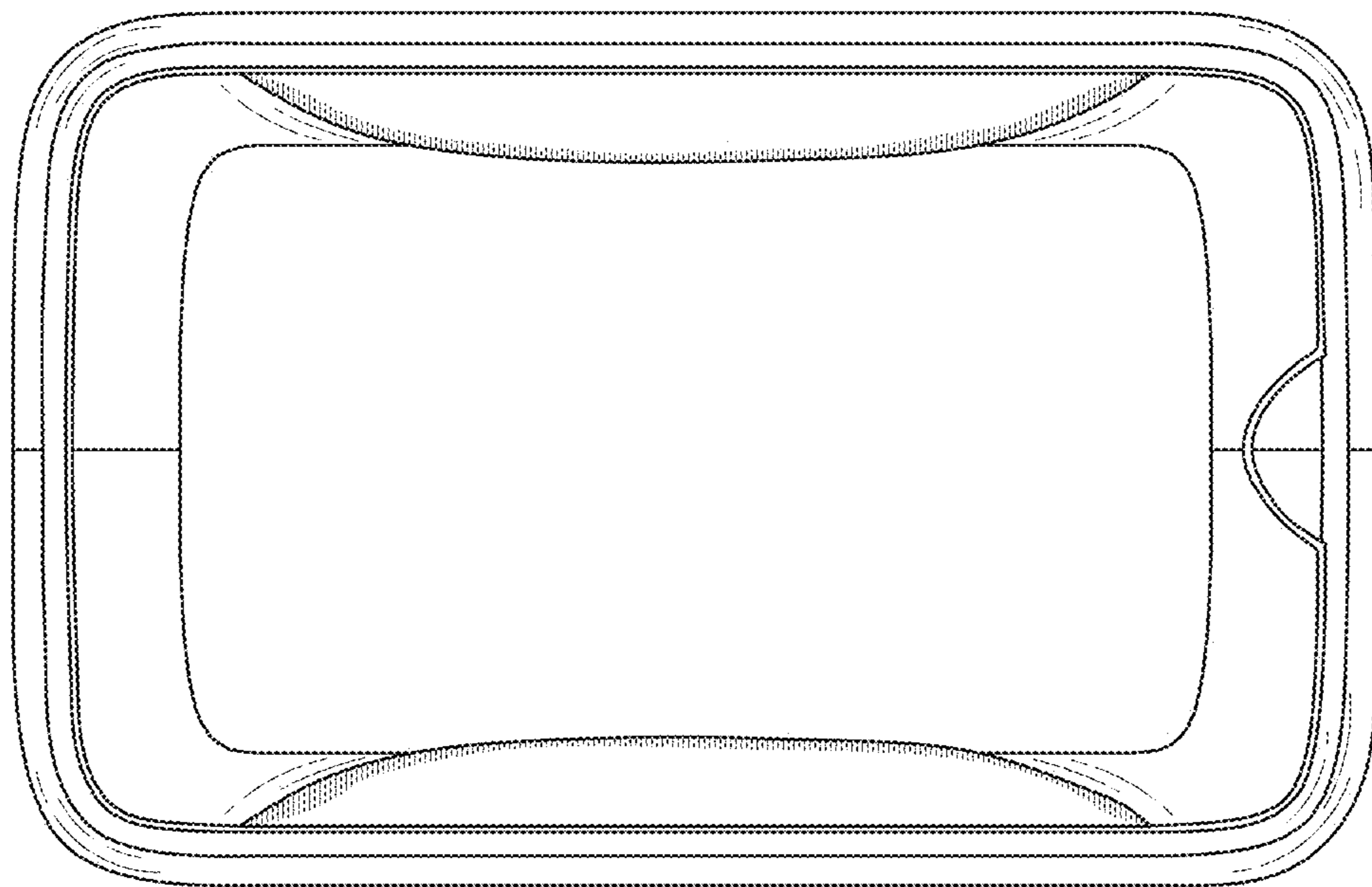


Fig. 4

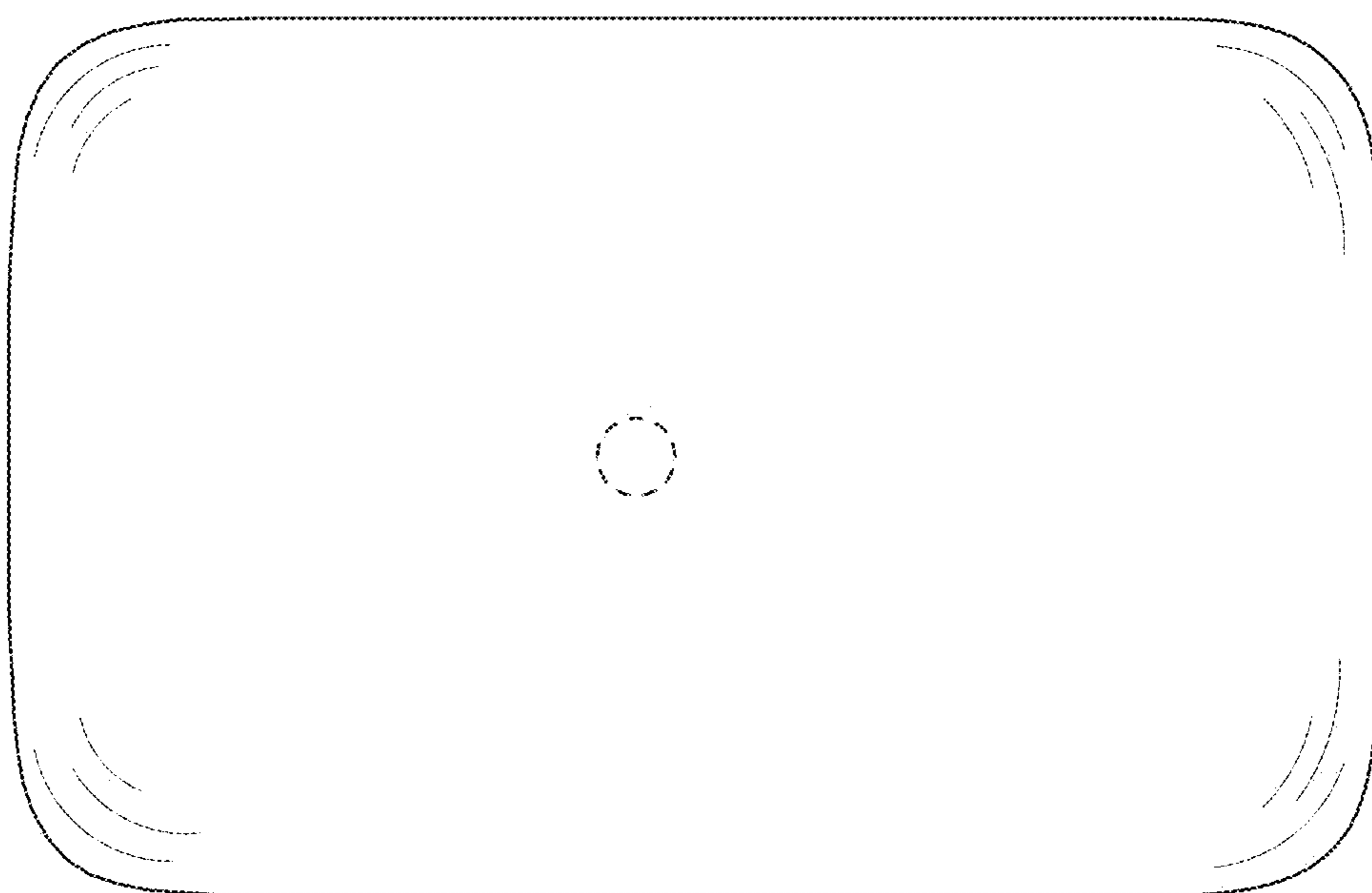


Fig. 5

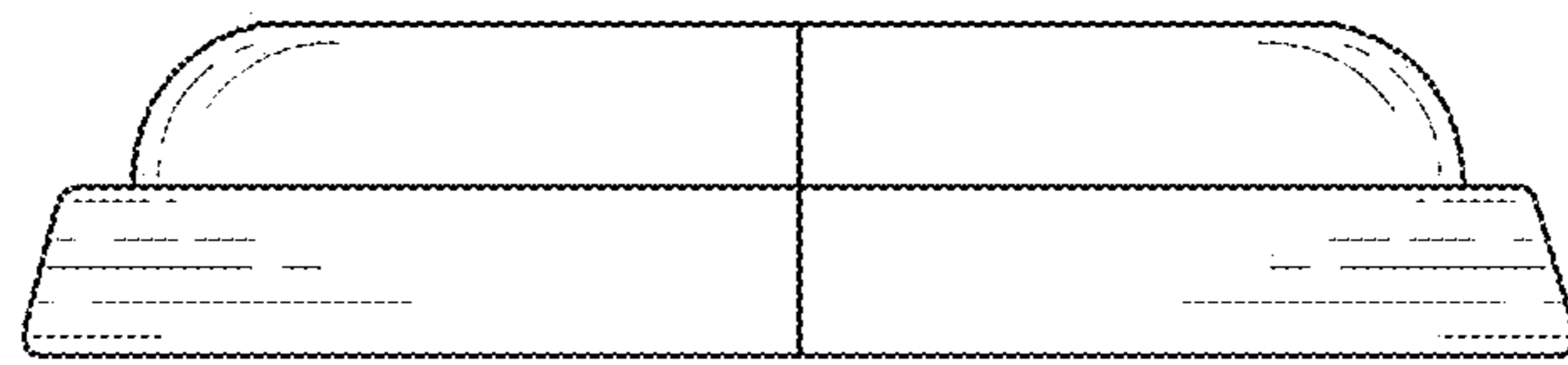


Fig. 6

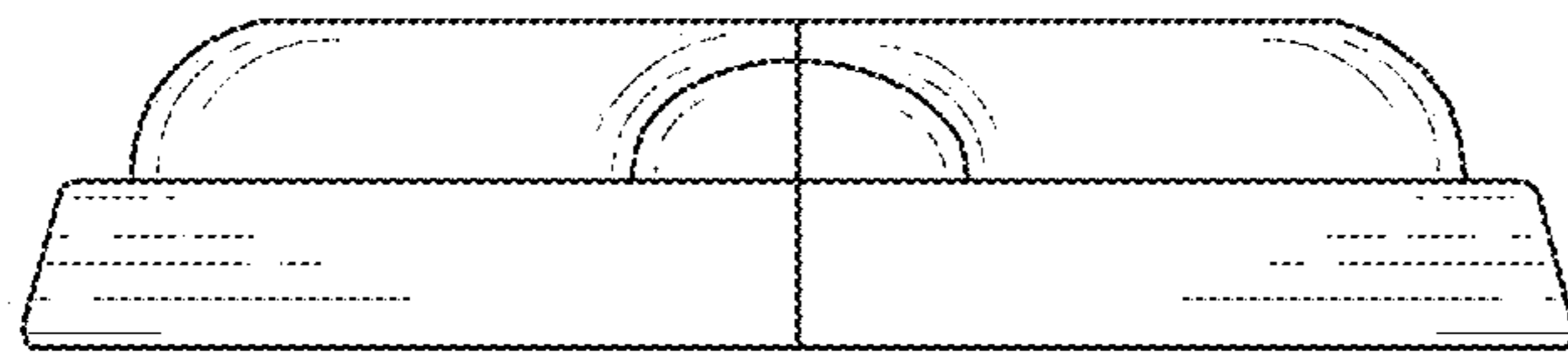


Fig. 7

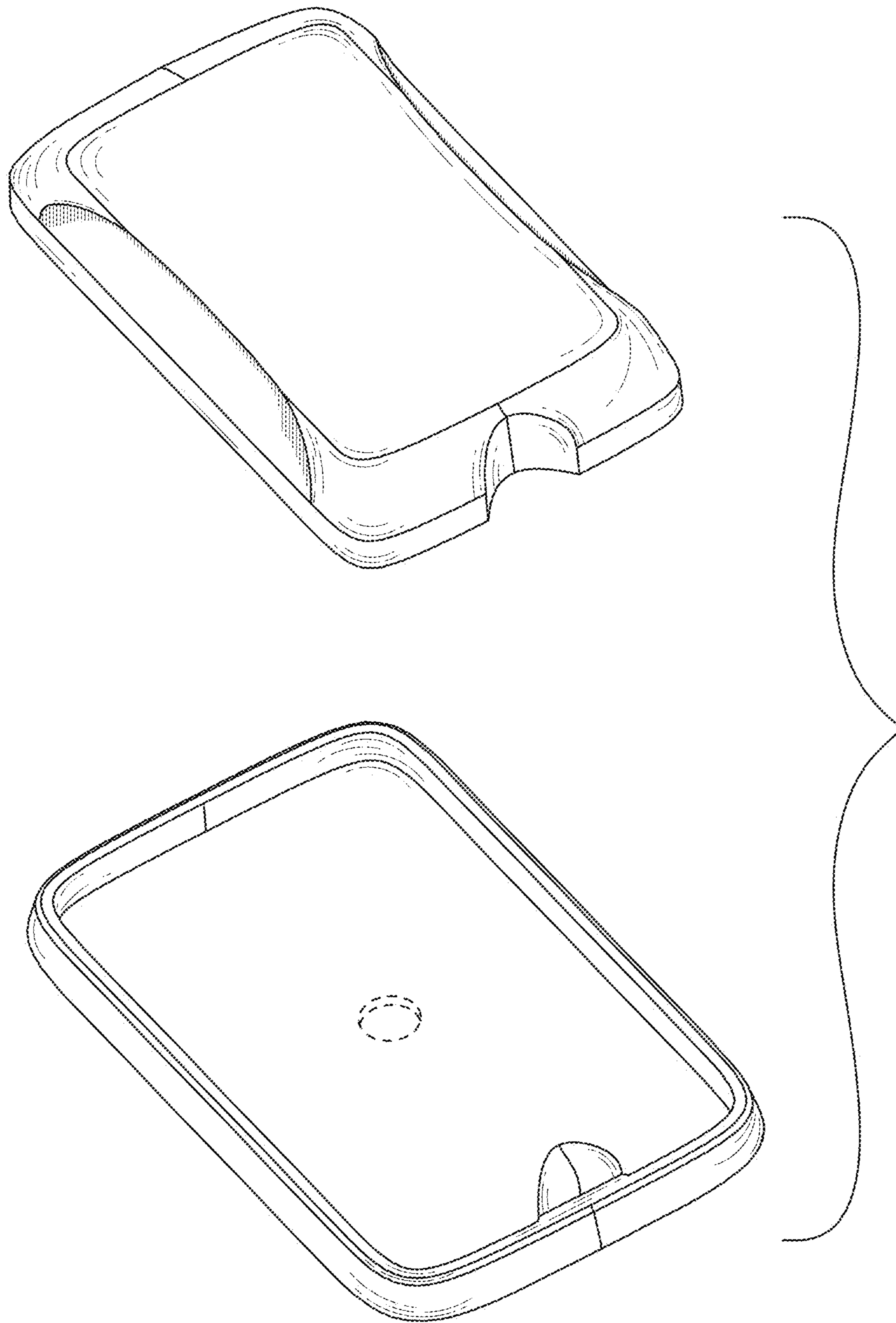


Fig. 8

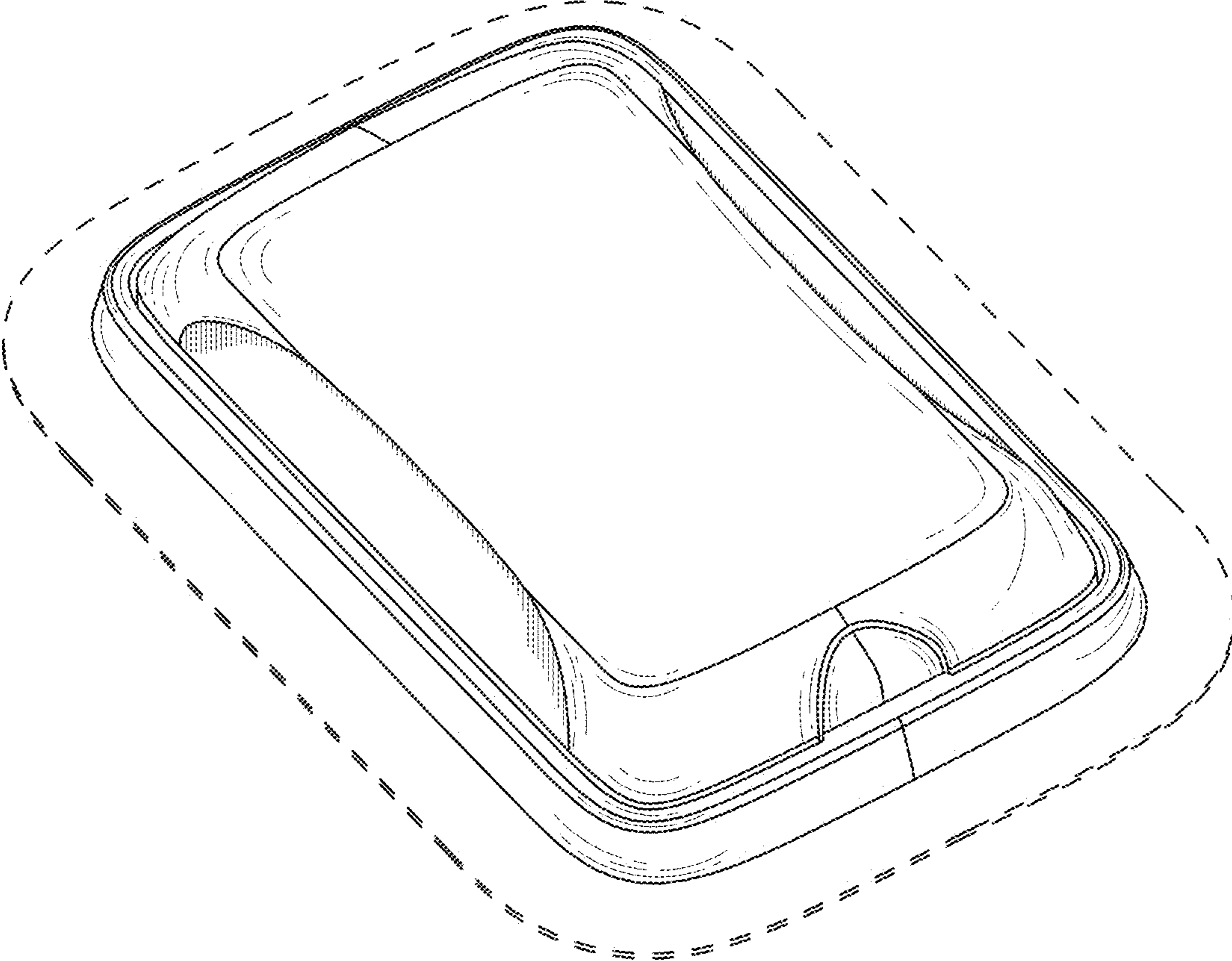


Fig. 9

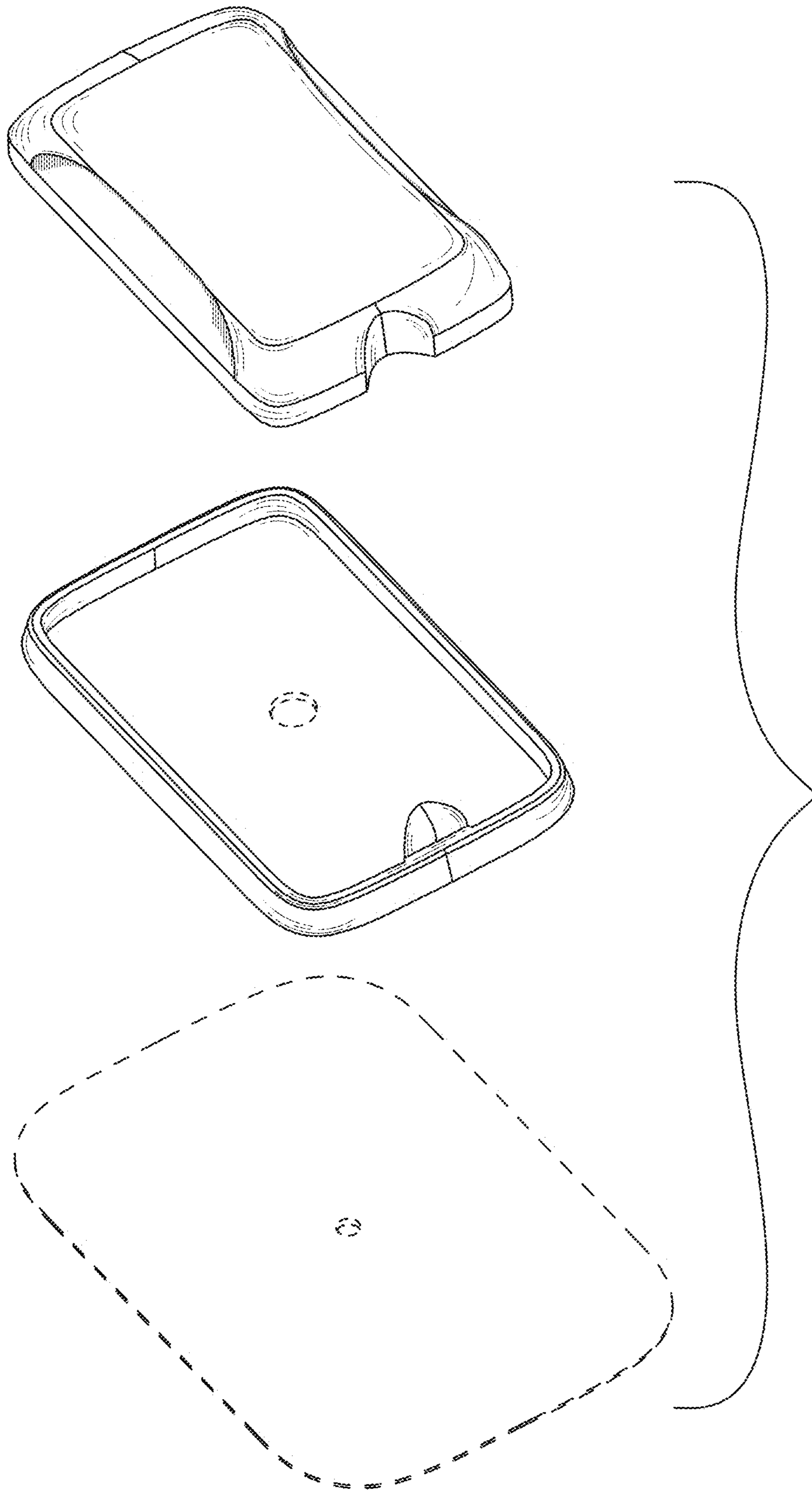


Fig.10

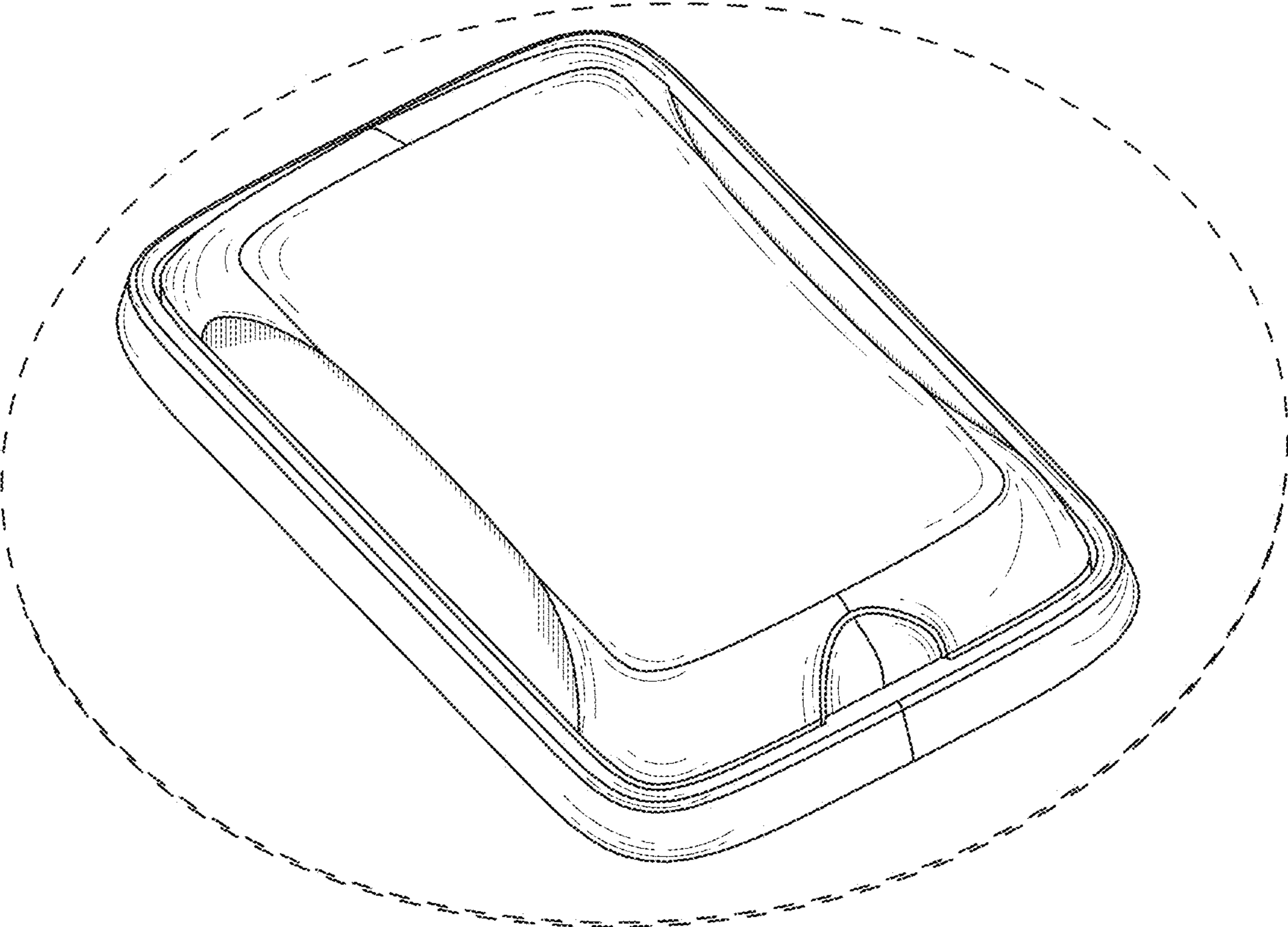


Fig.11

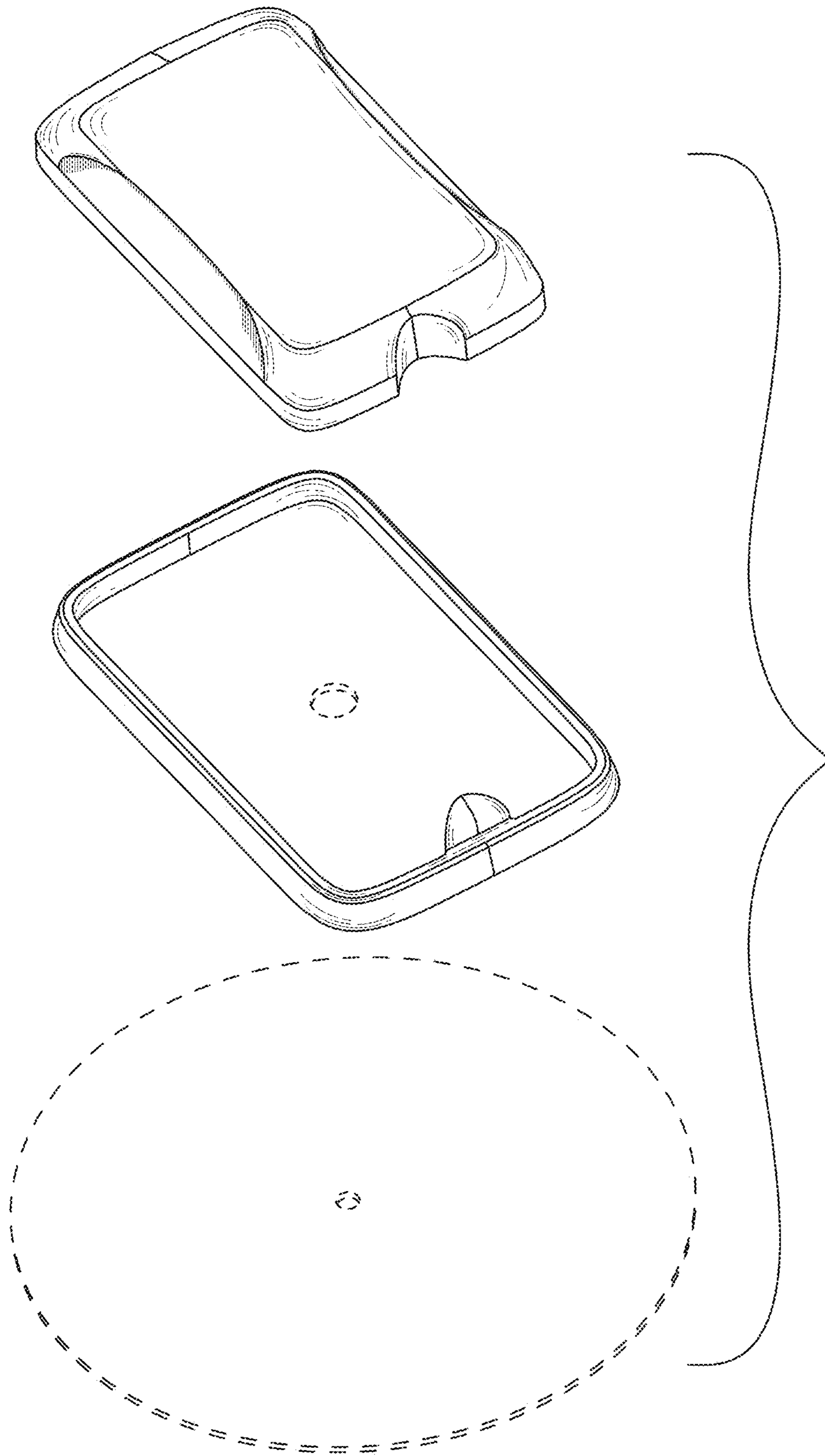


Fig.12