



US00D914215S

(12) **United States Design Patent**
Fasoli et al.

(10) **Patent No.:** **US D914,215 S**
(45) **Date of Patent:** **** Mar. 23, 2021**

- (54) **MEDICAL SCANNER**
- (71) Applicant: **CEFLA Società Cooperativa, Imola (IT)**
- (72) Inventors: **Martino Fasoli, Imola (IT); Giulio Mattiuzzo, Imola (IT)**
- (**) Term: **15 Years**
- (21) Appl. No.: **29/727,208**
- (22) Filed: **Mar. 9, 2020**
- (51) **LOC (13) Cl.** **24-01**
- (52) **U.S. Cl.**
USPC **D24/158**
- (58) **Field of Classification Search**
USPC D24/107, 158–160, 185–187
CPC A61B 5/055; G01N 2223/1016; G01N 2223/301; G01N 2223/031; G01N 2223/419; G01N 23/046; G01R 33/48
See application file for complete search history.

- D861,866 S * 10/2019 Liu D24/158
- D895,804 S * 9/2020 Zhuang D24/158
- 10,806,949 B2 * 10/2020 Li A61N 5/1039
- D903,118 S * 11/2020 Zhang D24/158

* cited by examiner

Primary Examiner — Anhdao Doan
(74) *Attorney, Agent, or Firm* — Themis Law

(57) **CLAIM**

The ornamental design for a medical scanner, as shown and described.

DESCRIPTION

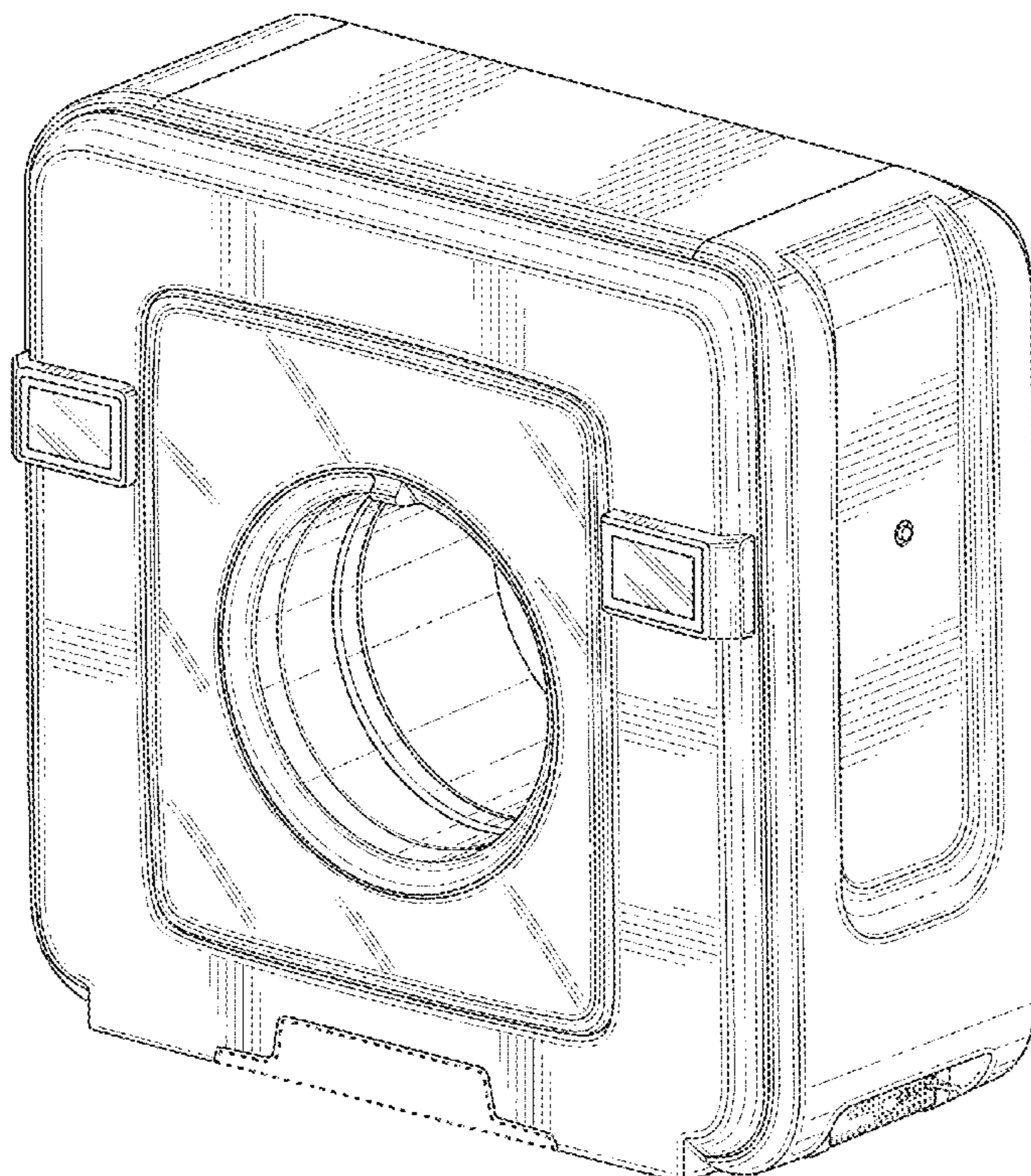
FIG. 1 is a perspective view of a medical scanner showing our new design;
FIG. 2 is a front elevational view thereof;
FIG. 3 is a rear elevational view thereof;
FIG. 4 is a left side elevational view thereof;
FIG. 5 is a right side elevational view thereof;
FIG. 6 is a top plan view thereof;
FIG. 7 is a bottom plan view thereof; and,
FIG. 8 is a perspective view thereof, showing that the panel surrounding the central opening can be lit.
The broken lines illustrate portions of the medical scanner that form no part of the claimed design; the broken lines form no part of the claimed design.

1 Claim, 6 Drawing Sheets

(56) **References Cited**

U.S. PATENT DOCUMENTS

- 4,334,154 A * 6/1982 Sandland A61B 6/032
250/207
- D270,182 S * 8/1983 Wagner D24/159
- D347,063 S * 5/1994 Ariyoshi D24/159
- D417,734 S * 12/1999 Benders D24/158
- D639,950 S * 6/2011 Ramos D24/158
- D700,340 S * 2/2014 Tan D24/158
- D715,444 S * 10/2014 Zhi D24/159
- D849,949 S * 5/2019 Stalter D24/158



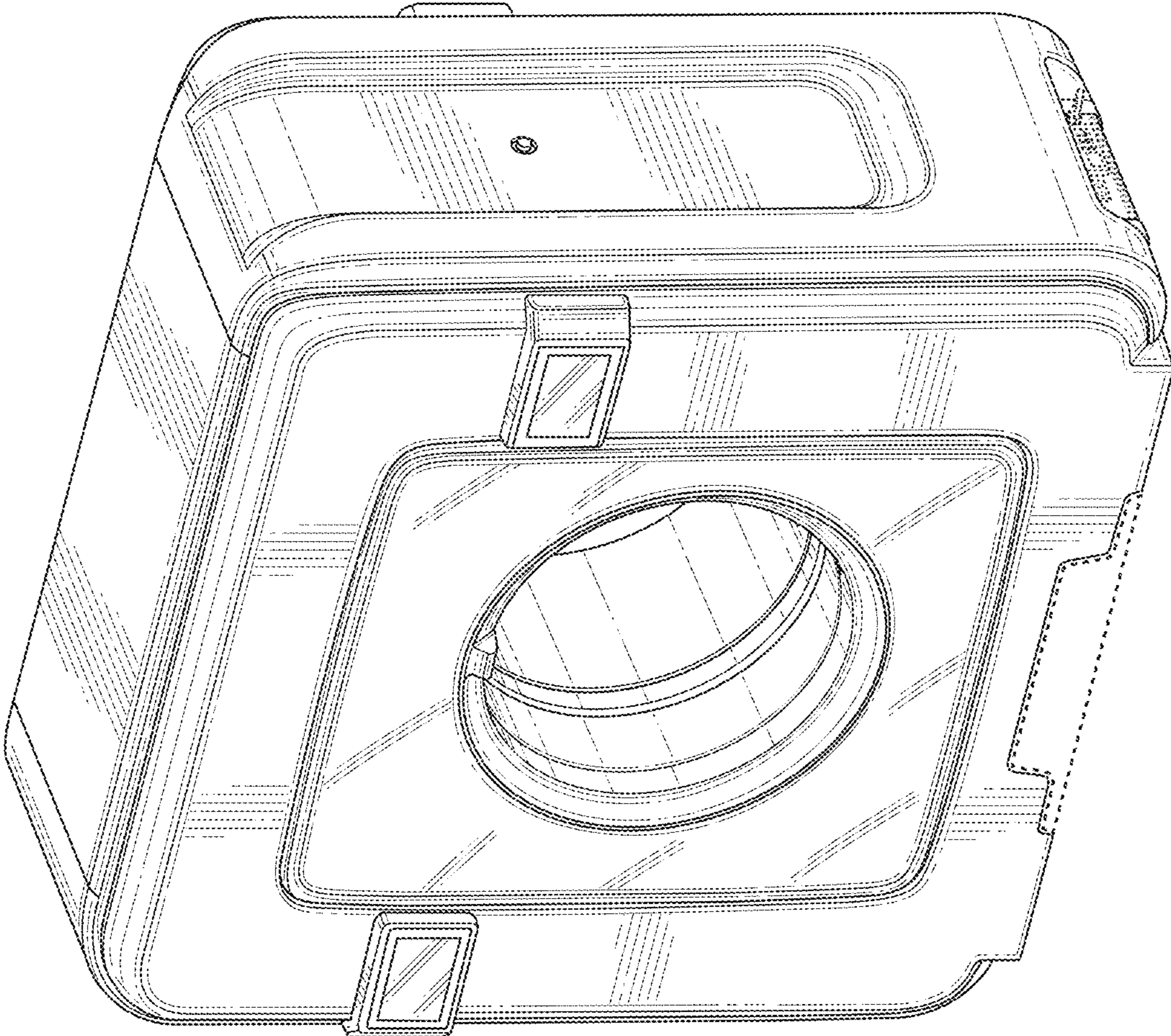


FIG. 1

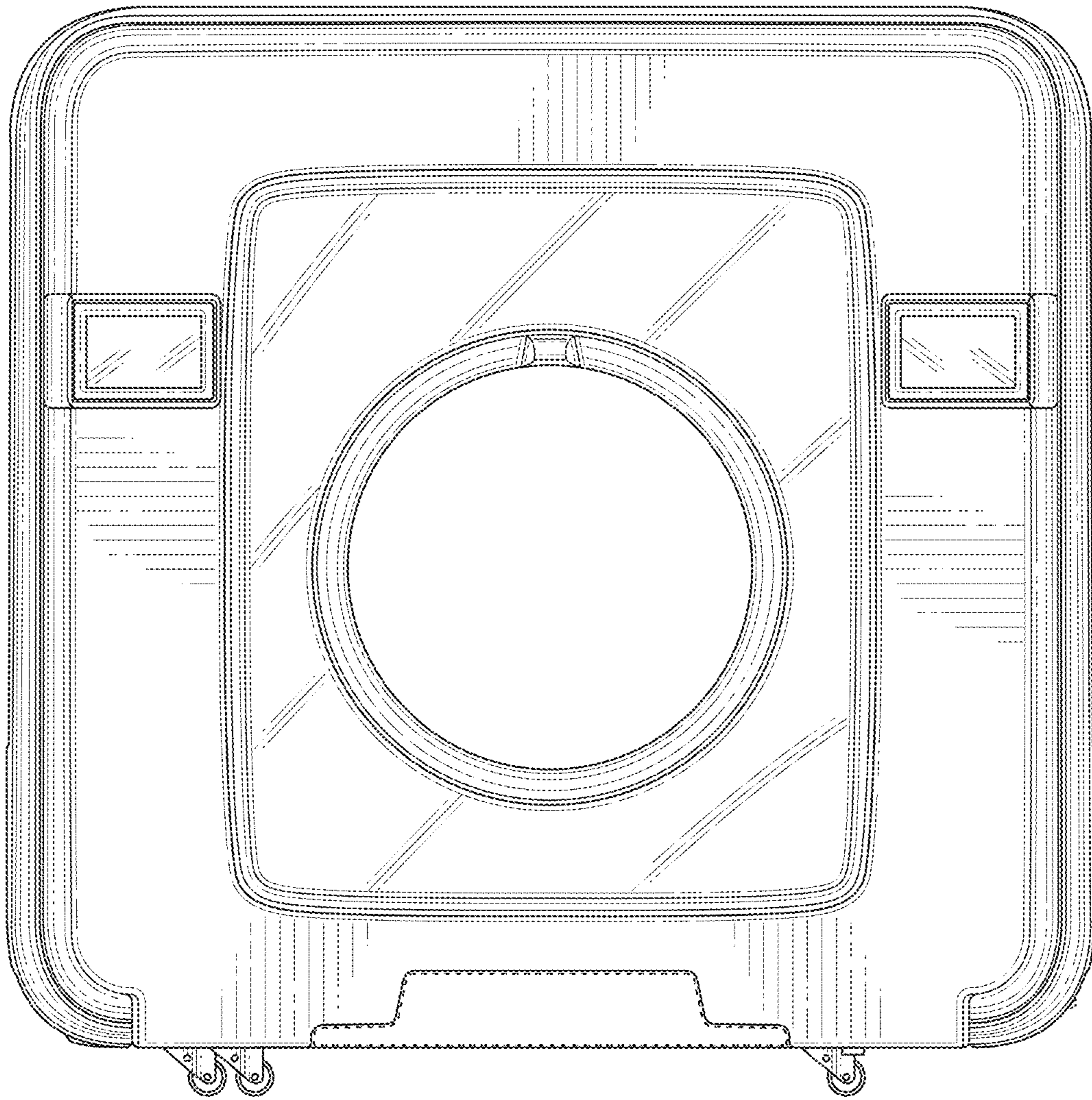


FIG. 2

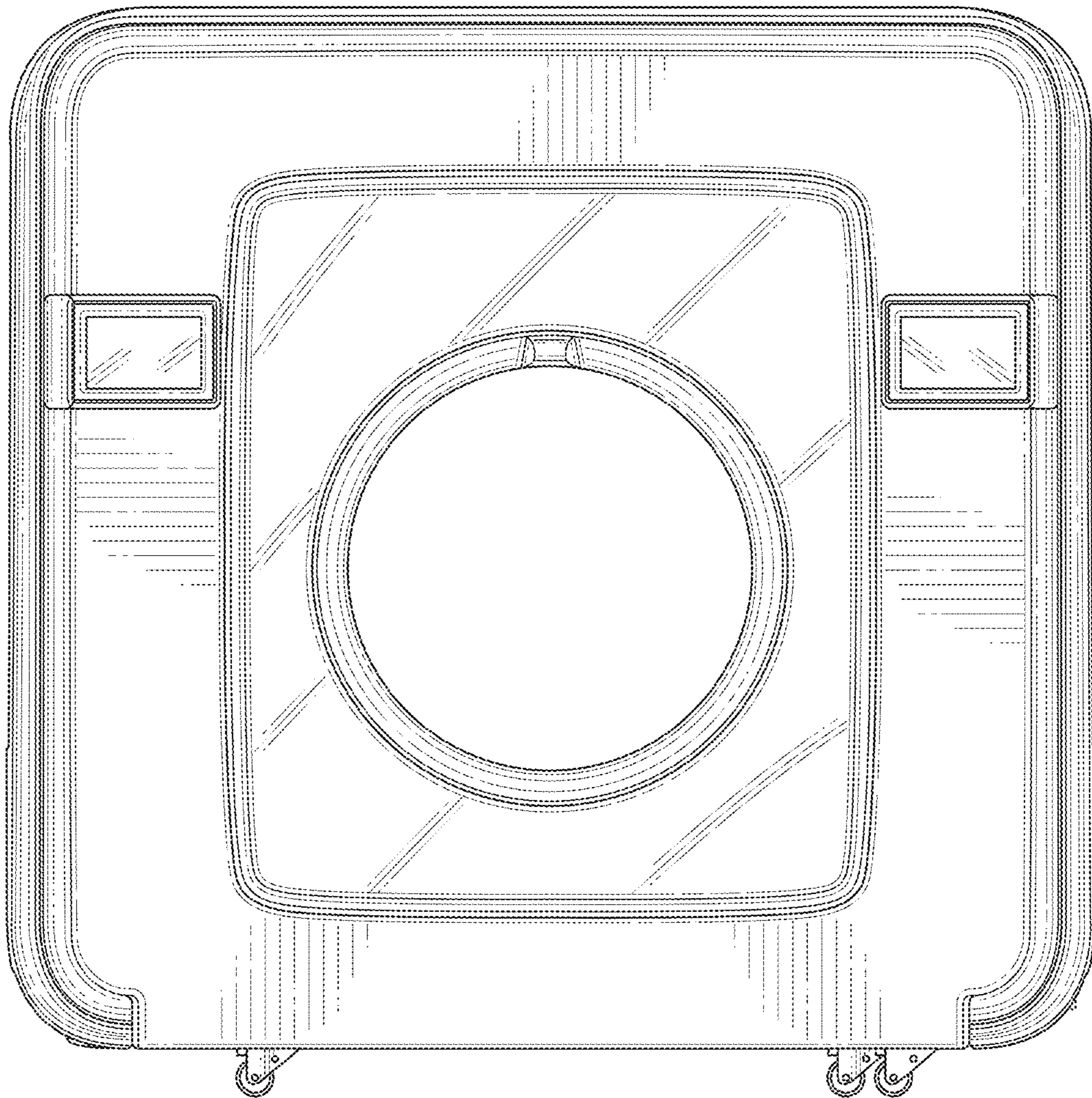


FIG. 3

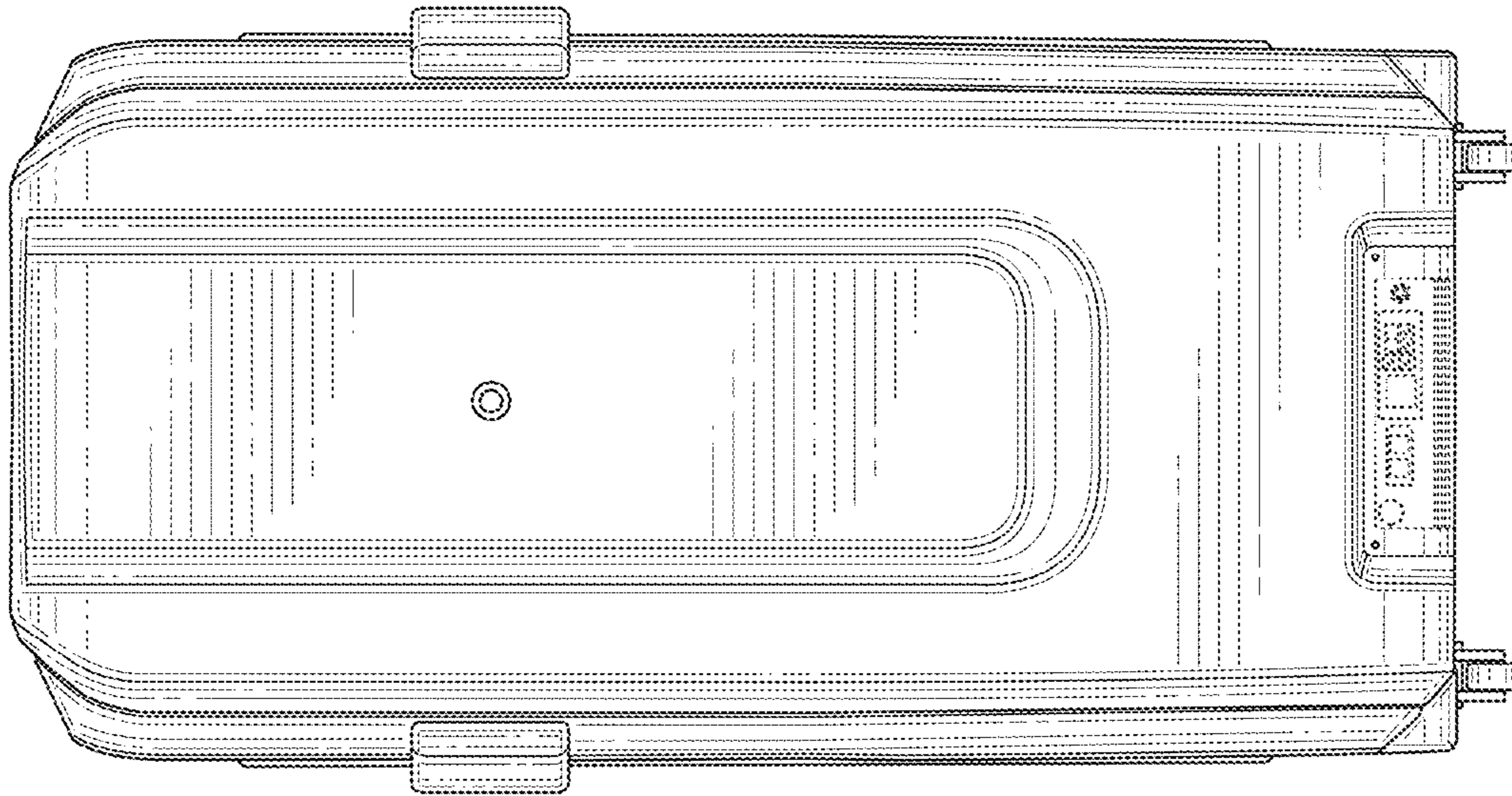


FIG. 5

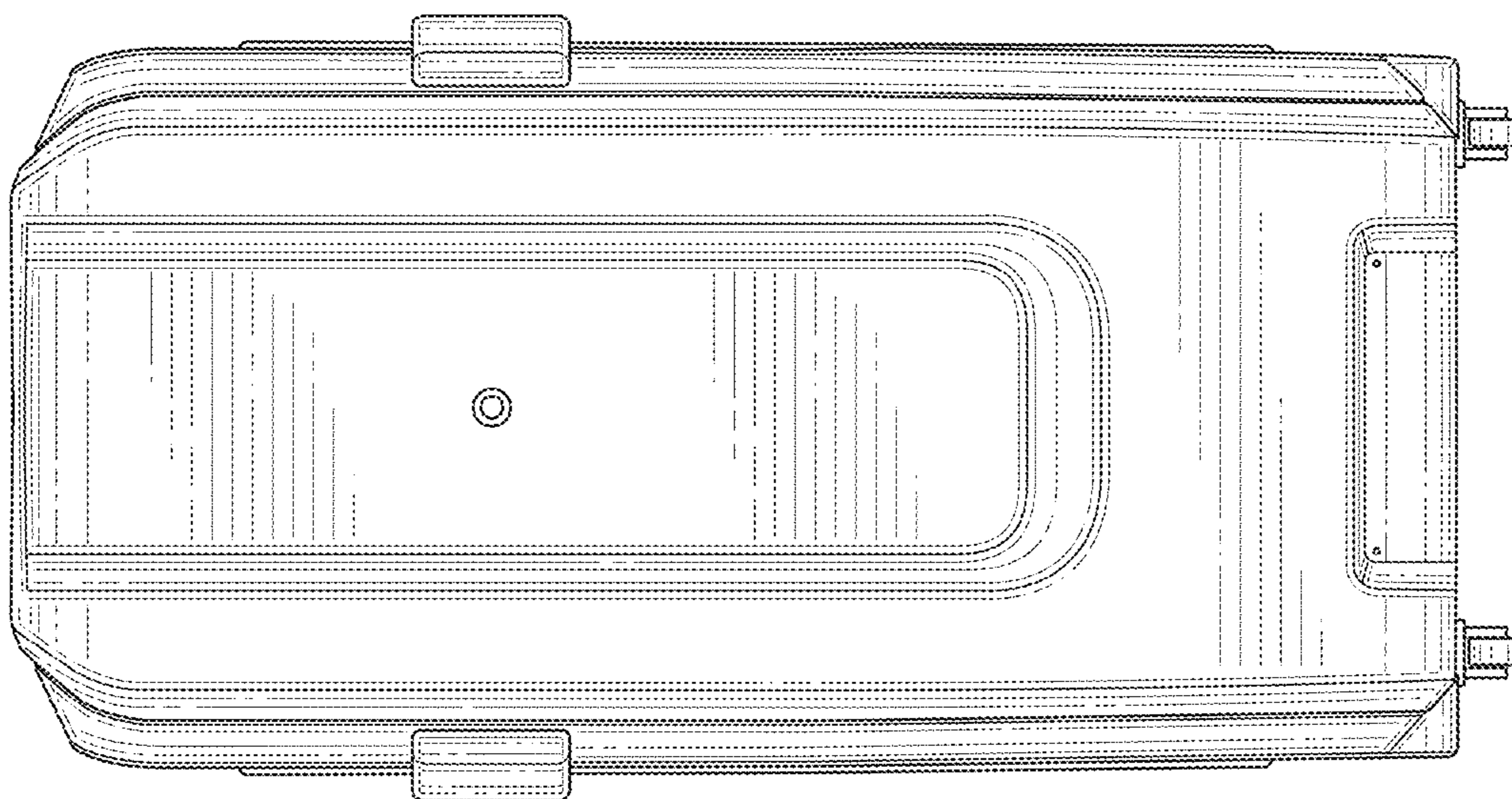


FIG. 4

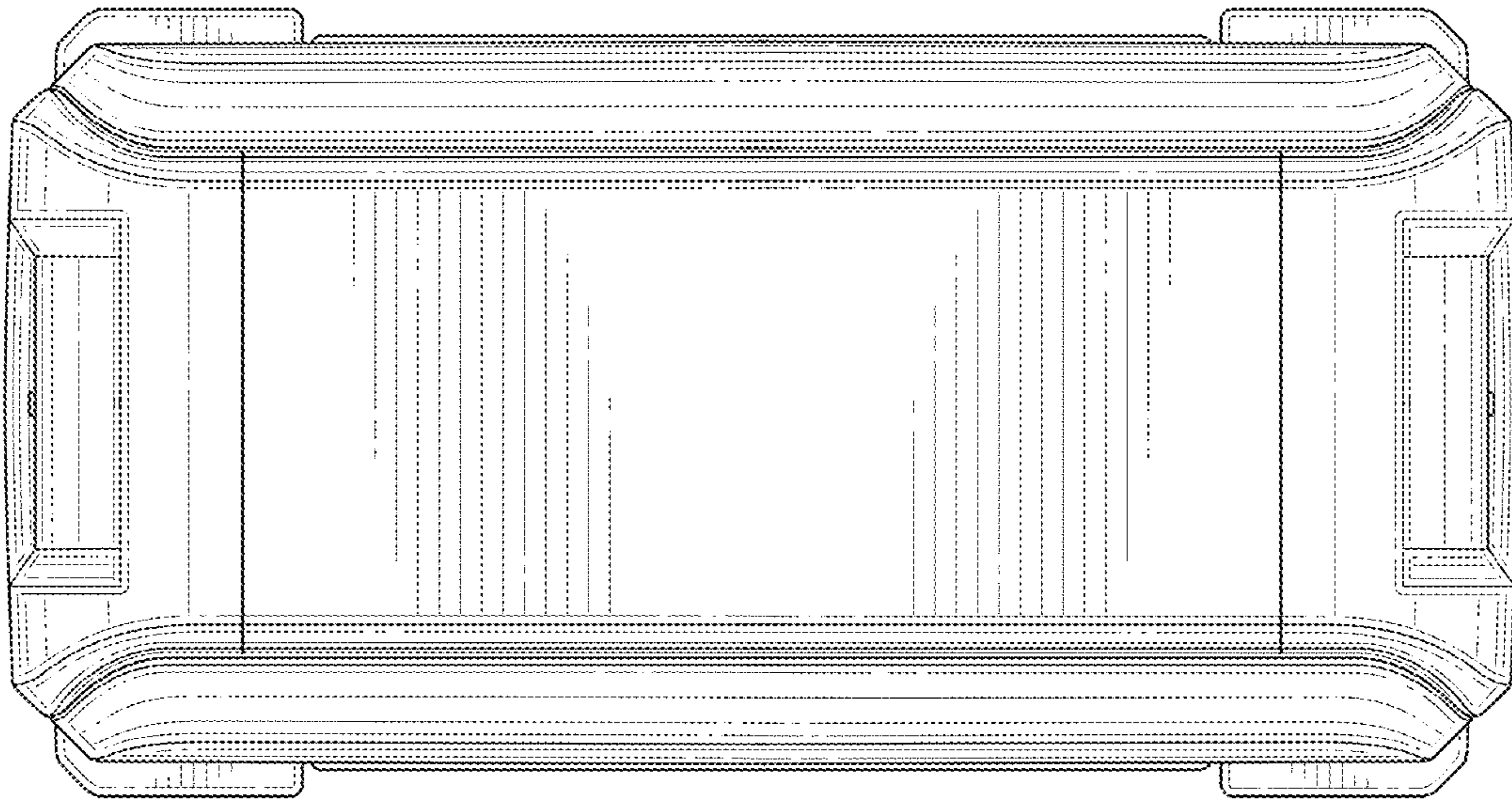


FIG. 6

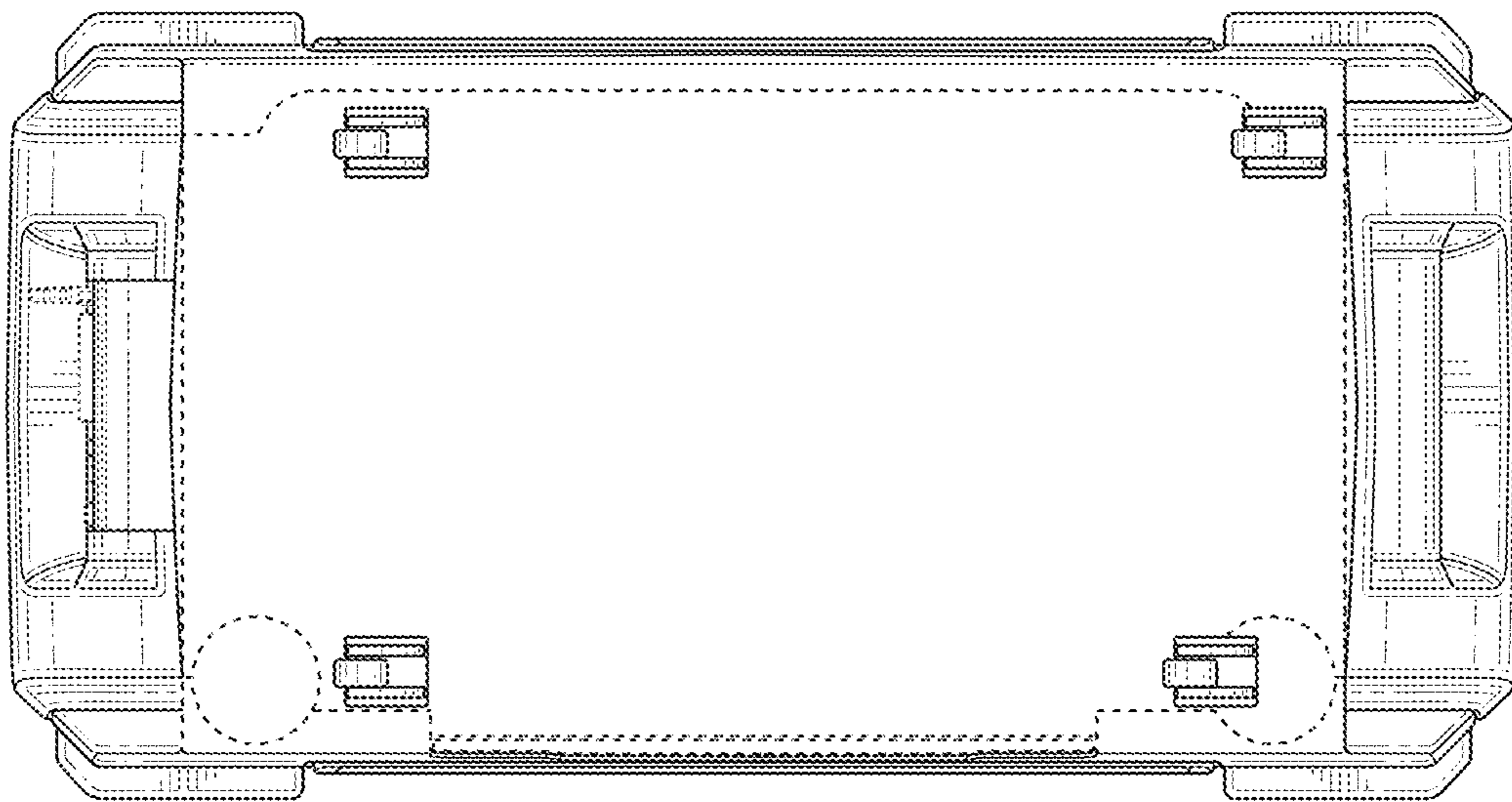


FIG. 7

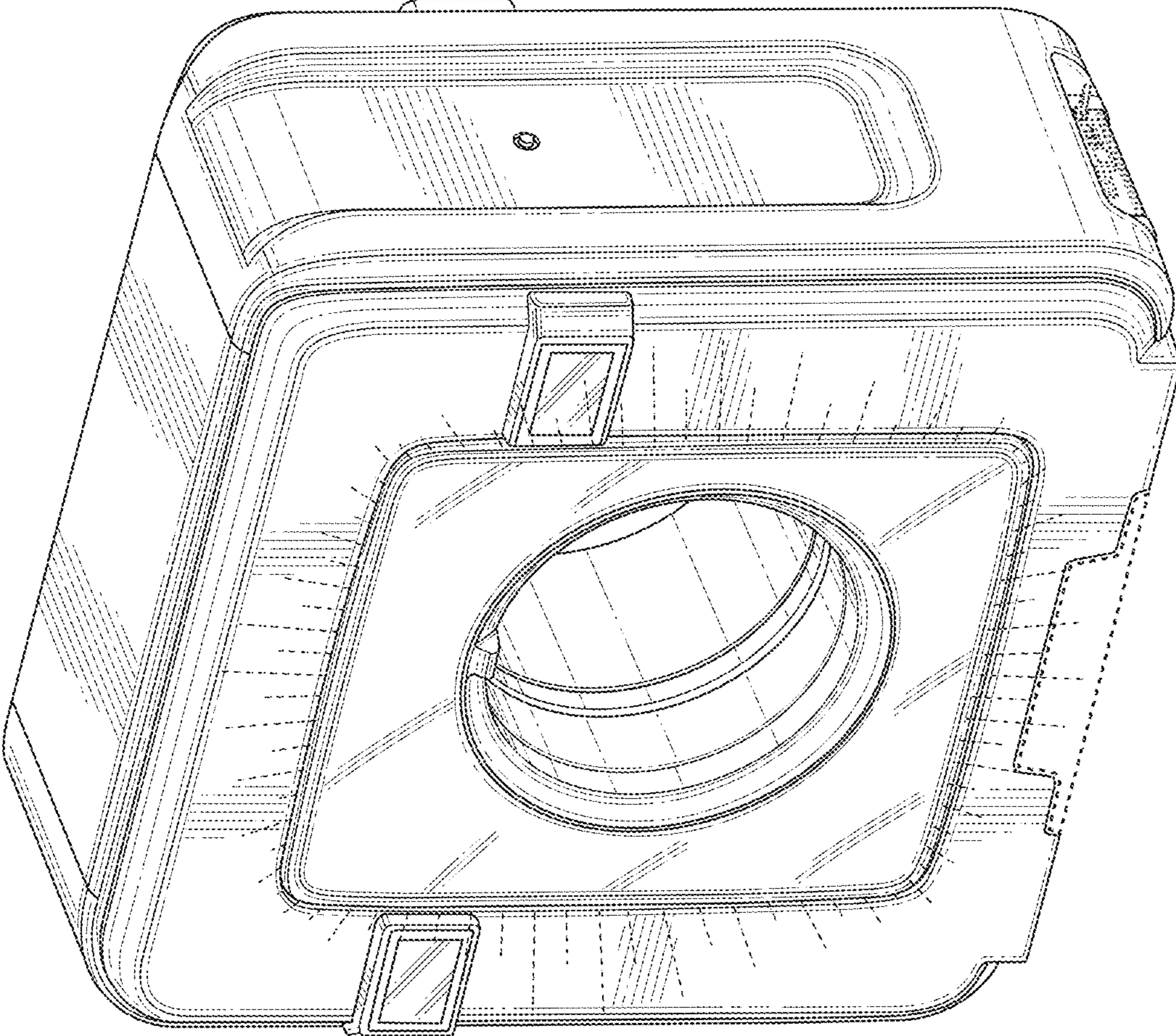


FIG. 8