



US00D914212S

(12) **United States Design Patent**
Thies

(10) **Patent No.:** **US D914,212 S**

(45) **Date of Patent:** **** Mar. 23, 2021**

- (54) **SUTURE ANCHOR**
- (71) Applicant: **Maruho Medical, Inc.**, Marietta, GA
(US)
- (72) Inventor: **Brendan D. Thies**, Woodstock, GA
(US)
- (73) Assignee: **Maruho Medical, Inc.**, Marietta, GA
(US)
- (**) Term: **15 Years**
- (21) Appl. No.: **29/708,505**
- (22) Filed: **Oct. 7, 2019**
- (51) **LOC (13) Cl.** **24-02**
- (52) **U.S. Cl.**
USPC **D24/145**
- (58) **Field of Classification Search**
USPC D24/145; D8/387
CPC A61B 17/0401; A61B 17/0469; A61B
17/861; A61B 17/8645; A61B 17/863;
A61B 2017/044; A61B 2017/0648
See application file for complete search history.

- 8,771,315 B2 * 7/2014 Lunn A61B 17/0401
606/232
- D740,418 S * 10/2015 Chavan D24/145
- 9,539,000 B2 * 1/2017 Hendricksen A61B 17/0401
- 9,636,101 B2 * 5/2017 Wolf A61B 17/0401
- 10,022,115 B2 * 7/2018 MacLeod A61B 17/0401
- 10,058,317 B2 * 8/2018 Fan A61B 17/0401
- 10,631,851 B2 * 4/2020 Balboa A61B 17/0401

* cited by examiner

Primary Examiner — Wan Laymon

(74) *Attorney, Agent, or Firm* — David L. King

(56) **References Cited**

U.S. PATENT DOCUMENTS

- 5,733,307 A * 3/1998 Dinsdale A61B 17/0401
606/104
- 8,372,124 B2 * 2/2013 Paulk A61B 17/0401
606/300

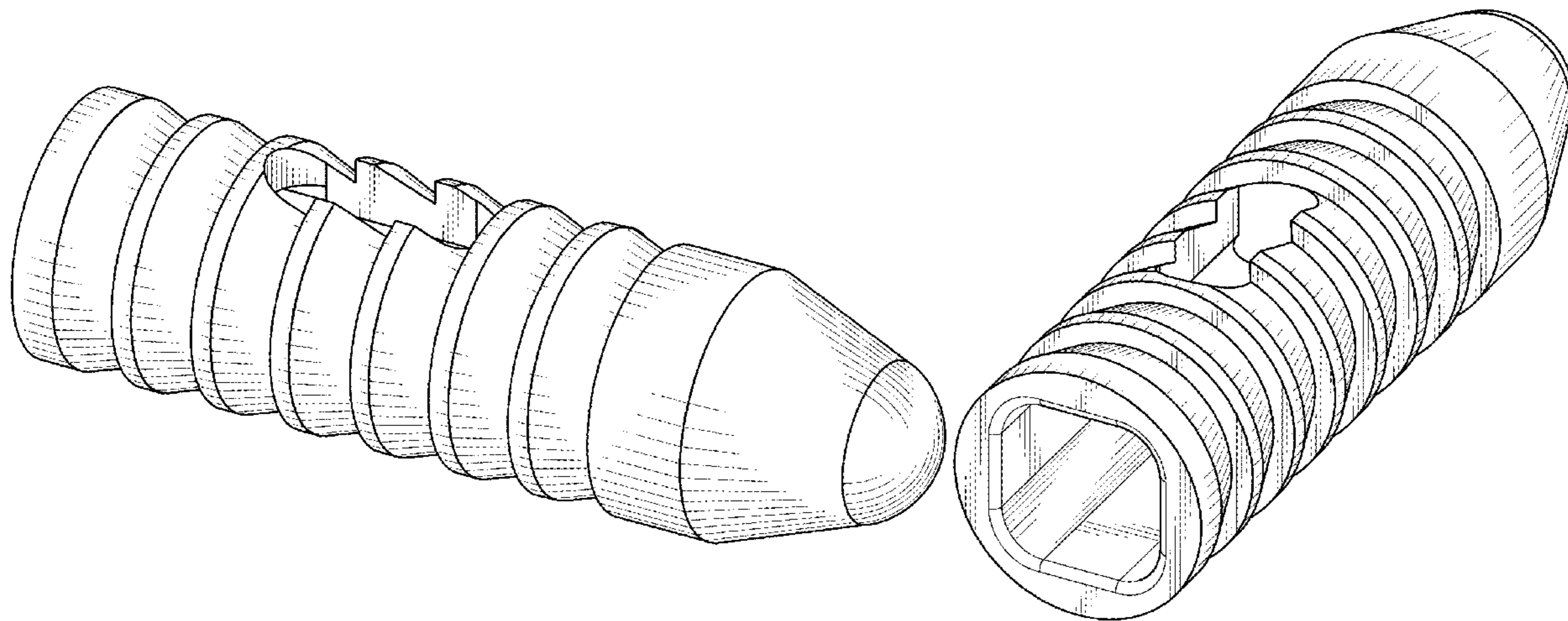
(57) **CLAIM**

The ornamental design for a “suture anchor”, as shown and described.

DESCRIPTION

FIG. 1 is a front perspective view of an suture anchor showing my new, original and ornamental design;
 FIG. 2 is a rear perspective view thereof;
 FIG. 3 is a top view thereof, the bottom view thereof being identical in appearance;
 FIG. 4 is a side view thereof, the opposite side view thereof being identical in appearance;
 FIG. 5 is an enlarged front end view thereof; and,
 FIG. 6 is an enlarged rear end view thereof.

1 Claim, 6 Drawing Sheets



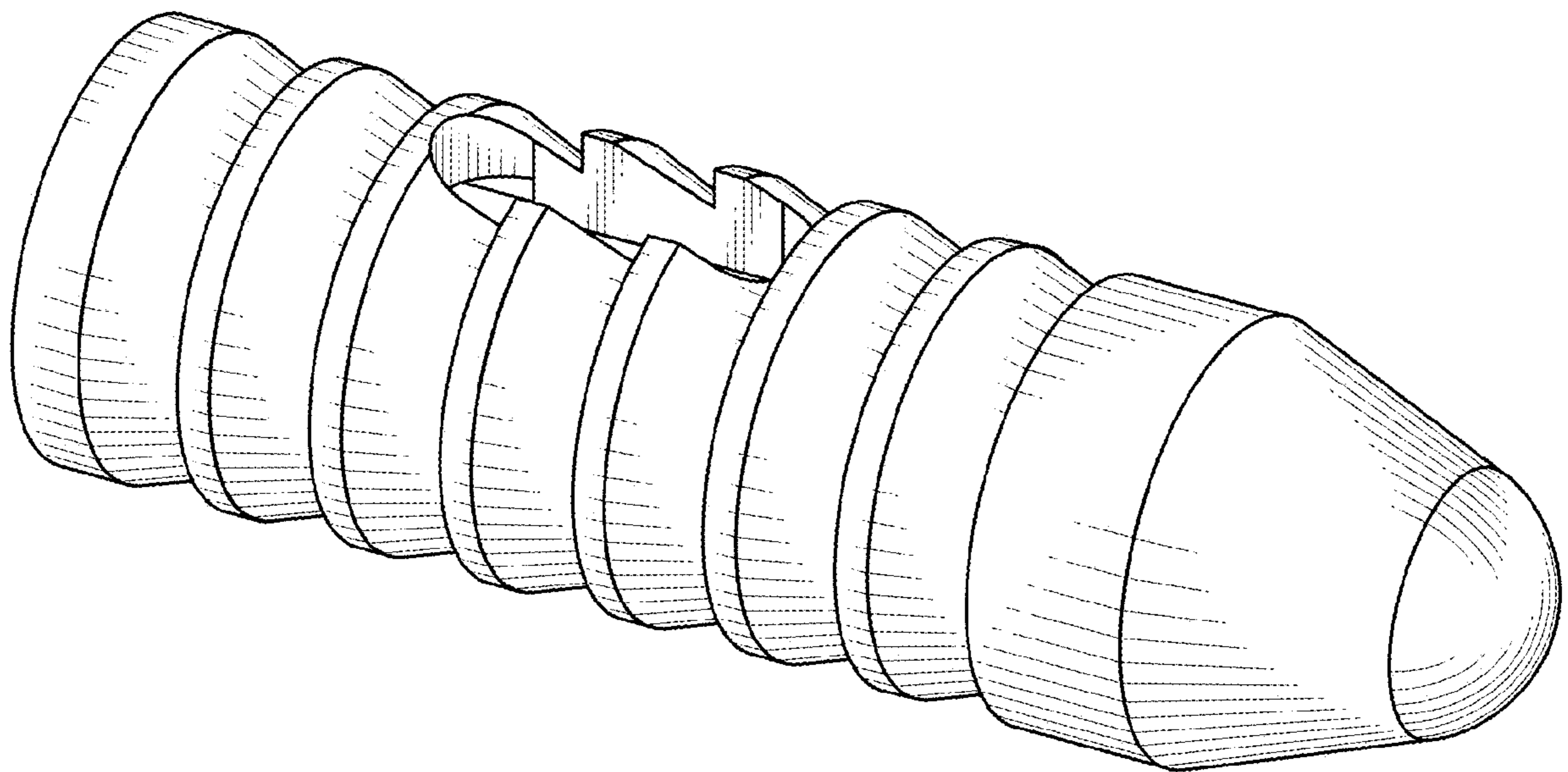


FIG. 1

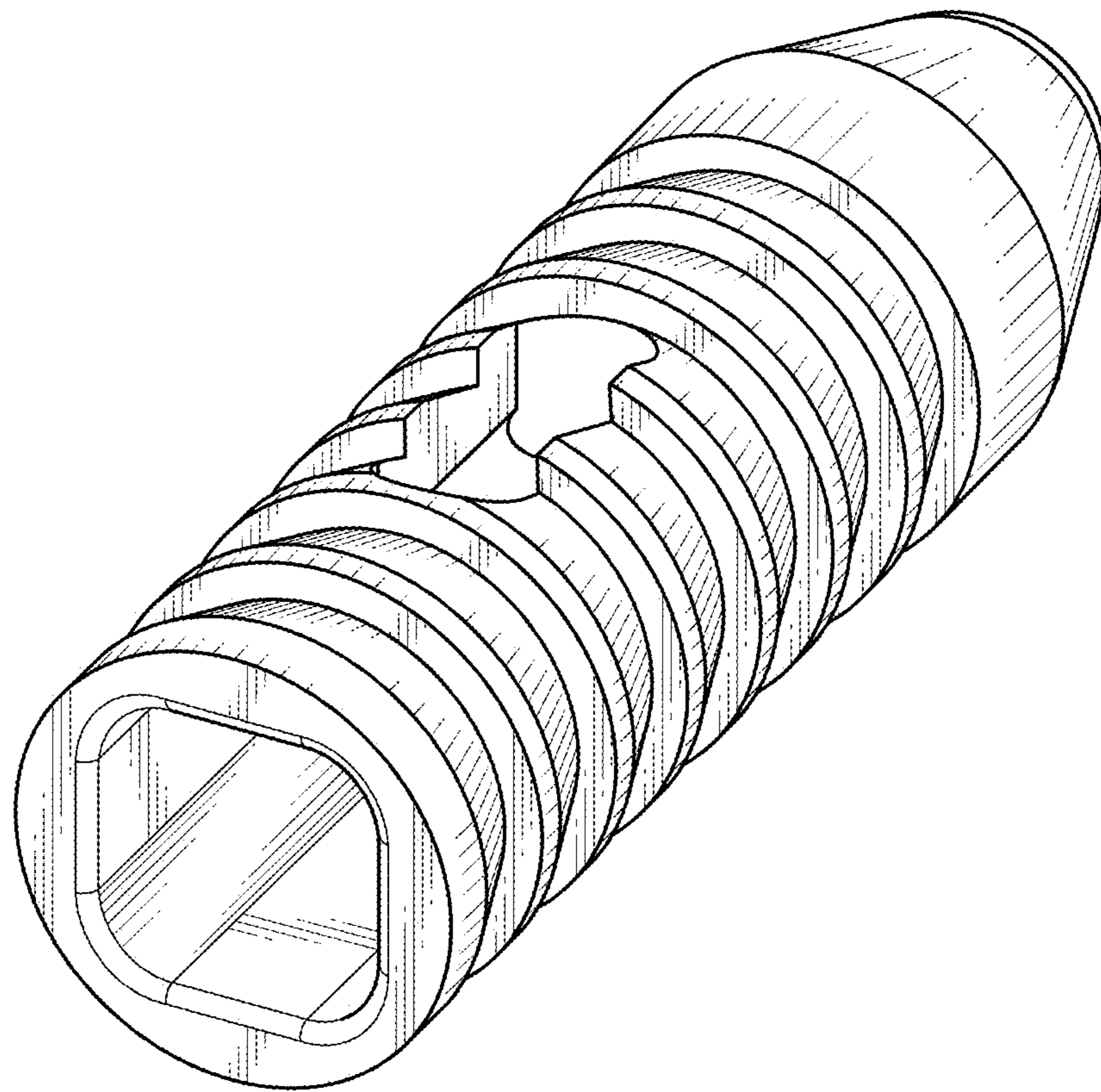


FIG. 2

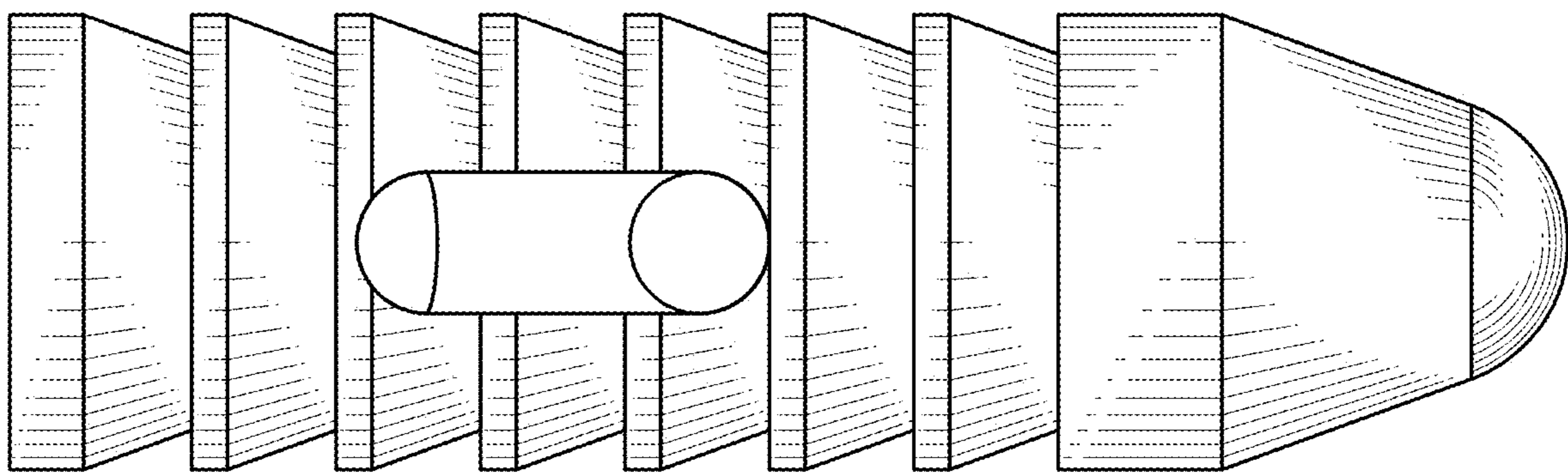


FIG. 3

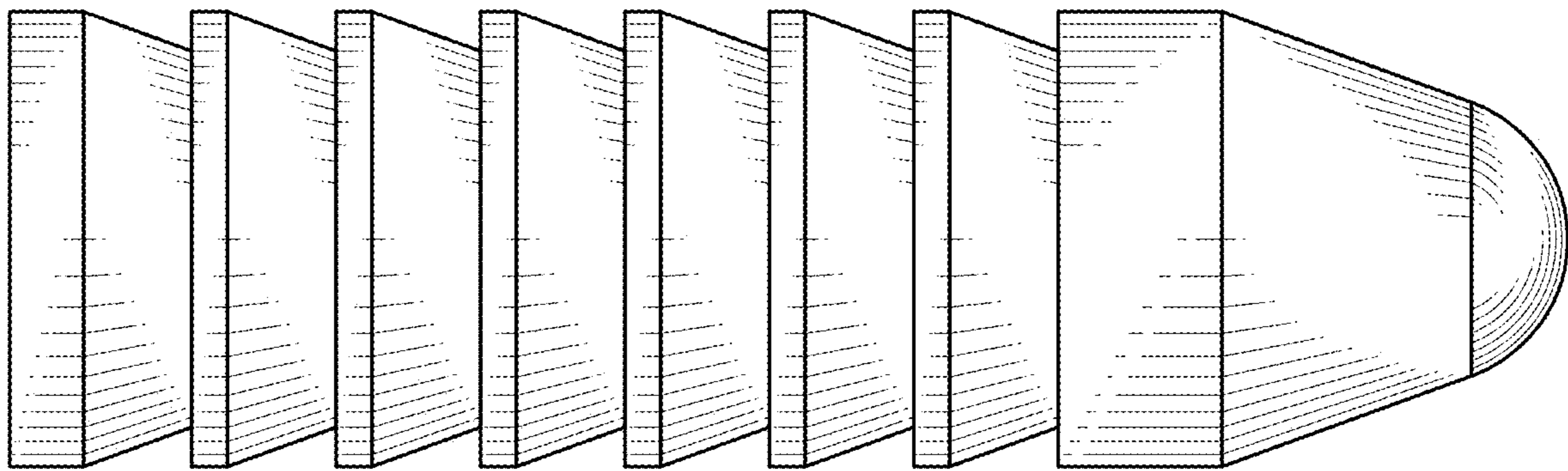


FIG. 4

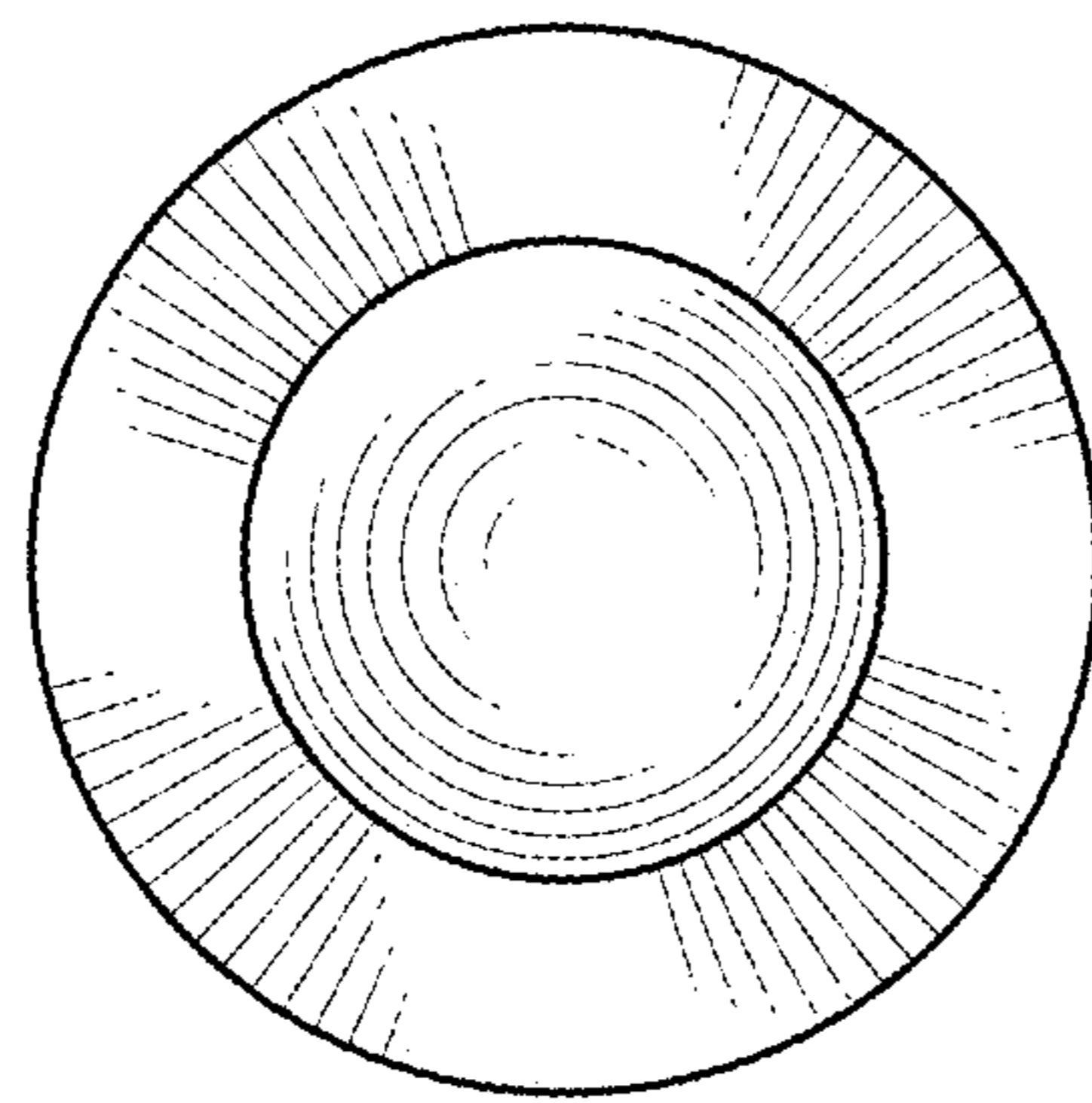


FIG. 5

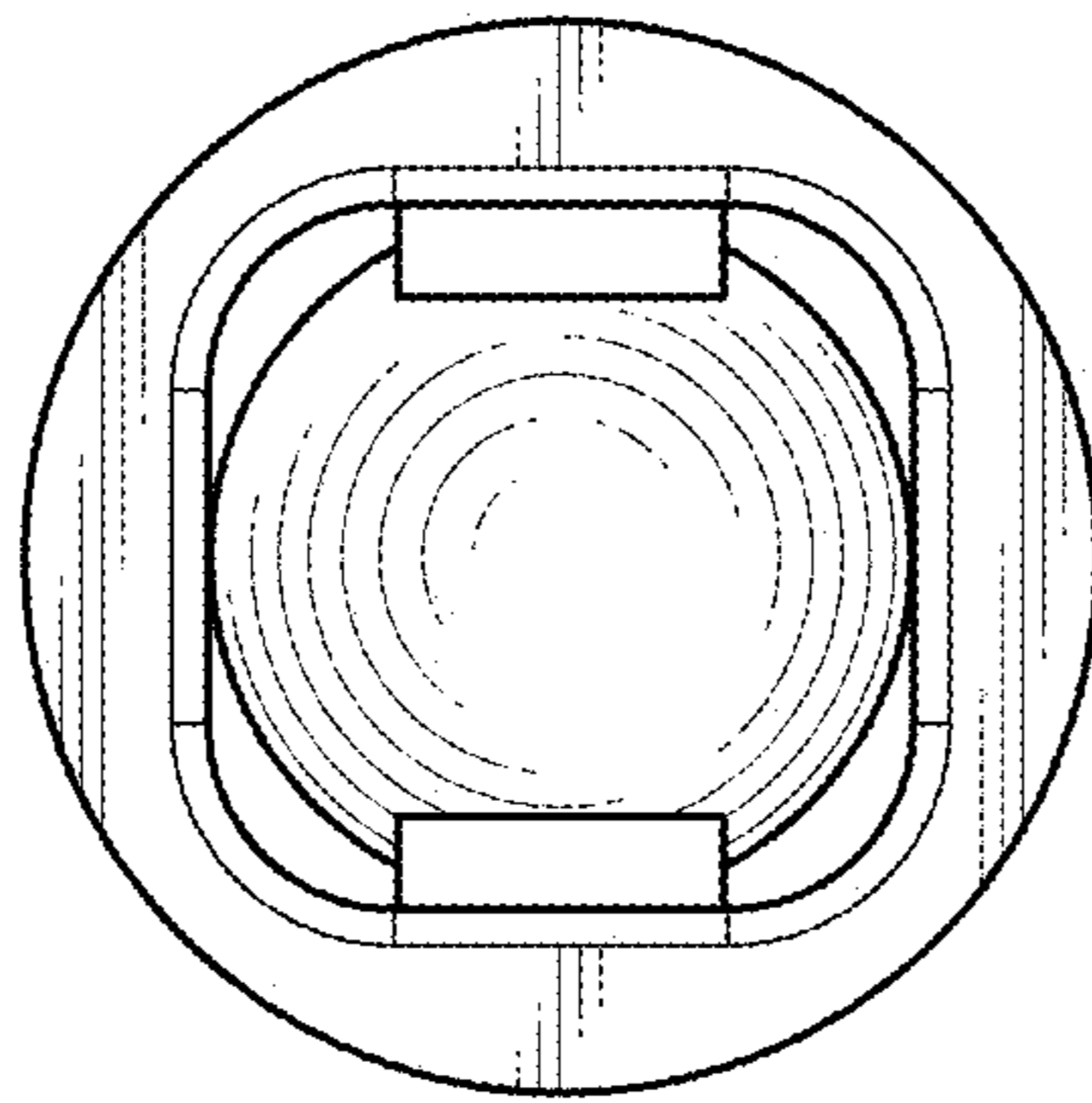


FIG. 6